

Pax™ Zero Radius Series / KHU15

Handmade Undermount Single Bowl Bar / Prep Sink

Satin Finish

Kräus®

SPECIFICATION SHEET

Material

18 Gauge Stainless Steel

Minimum Cabinet Size

Undermount : 18"

Installation Type

Undermount

Dimensions

Sink Dimensions: 14 1/2" x 18 1/2" x 10"

Bowl Type

Single Bowl Bar/Prep Sink
Handmade

Accessories Included

ST-3, Mounting Hardware, Template, Towel

Technology

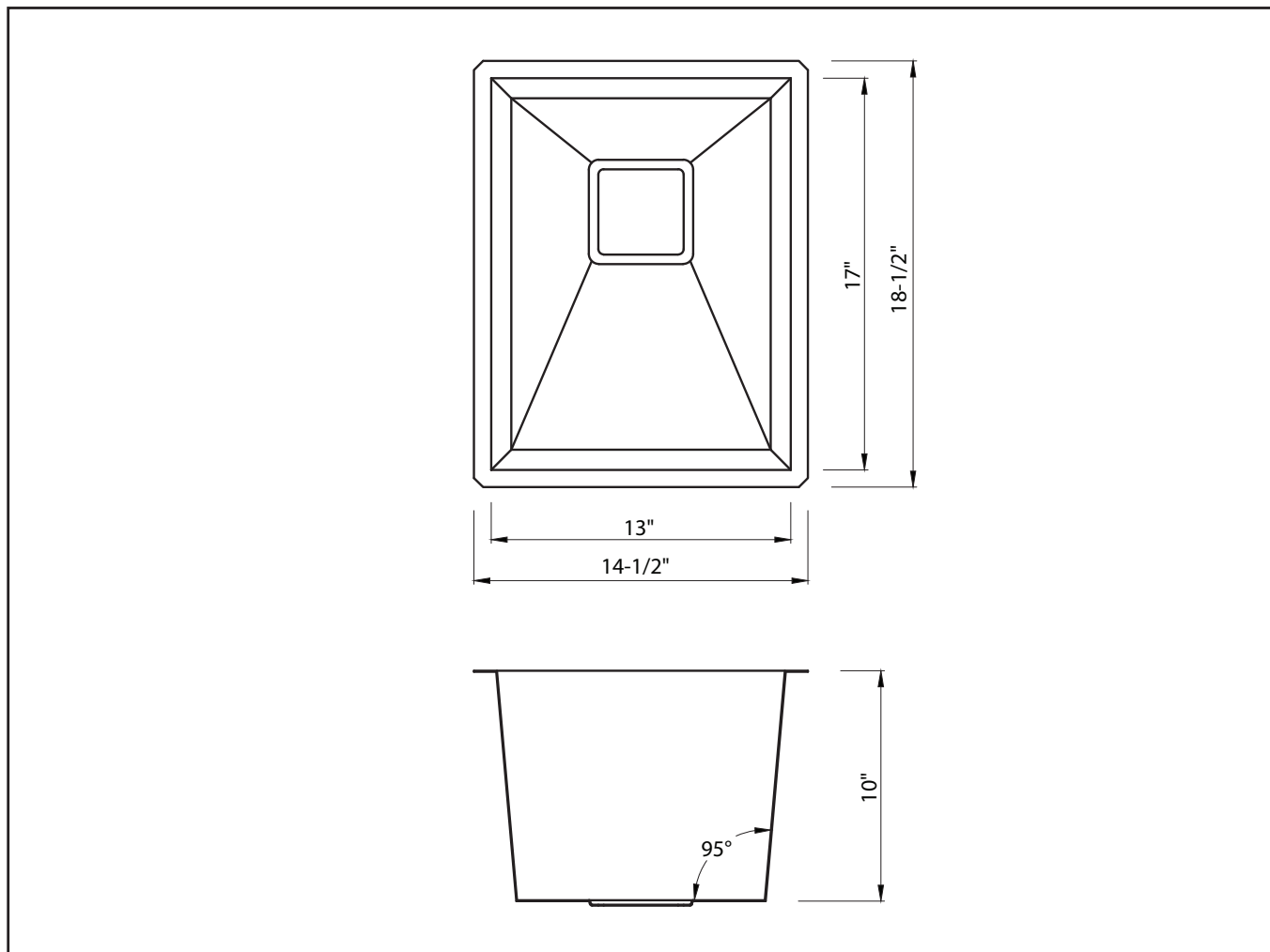
Noise Defend
EZ Stack

Optional Accessories

Garbage Disposal Adapter: GDA-1

Kraus Limited Lifetime Warranty: See website for details www.kraususa.com

1.800.775.0703 / customerservice@kraususa.com



Codes/Standards: Meets ASME A112.19.3/CSA B45.4

REV. August 15, 2016