


**MODEL-KHF-203-33**

## Product Description and Measurements

### *Kitchen stainless steel sink*

- ★ Kraus Collection
- ★ 16 Gauge Stainless Steel
- ★ Overall Size: 32 7/8" X 20 3/4 X 10"
- ★ Apron double bowl kitchen sink



In Accordance with Industry Codes & Standards for USA & Canada  
All Kraus Stainless Steel Kitchen Sinks are Certified & Listed By cUPC.



## Thank You

Dear Valued Customer,  
Kraus would like to take this opportunity to thank you for this purchase. It is our sincere hope that you are completely satisfied with your new product. We welcome any questions or comments that you may have and look forward to assisting you with your accessory needs in the future.

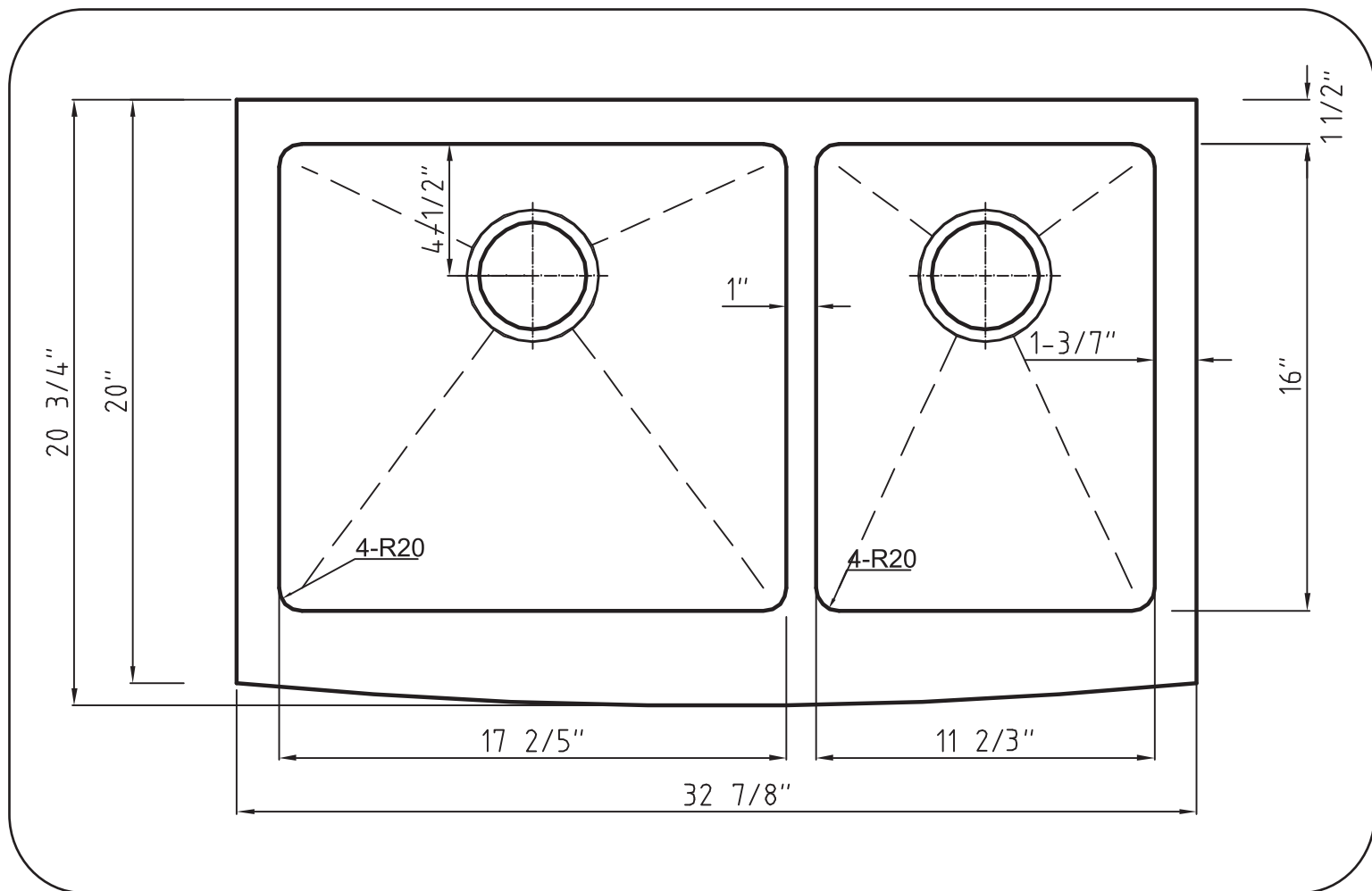
Sincerely,  
Kraus customer service department.

## Prior To Installation Steps

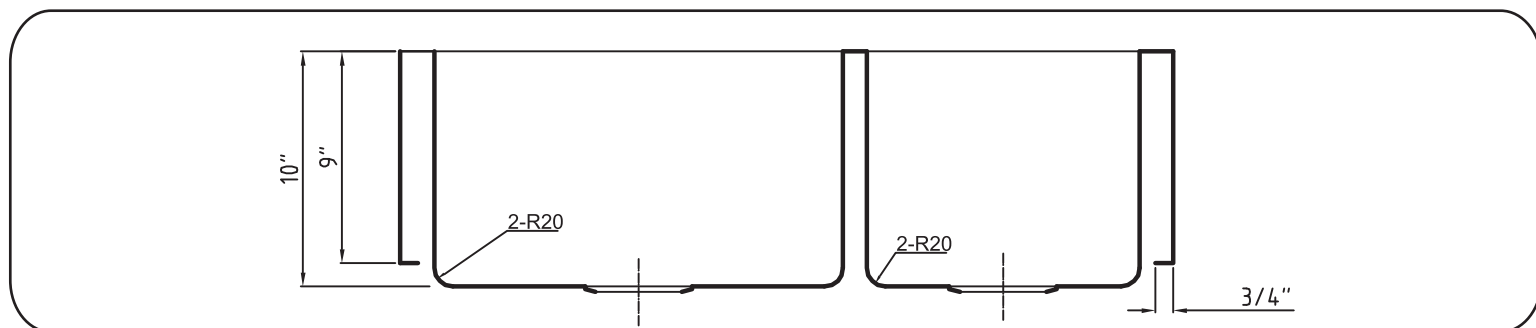
1. Unpack your new product and ensure that all the parts are contained in the packaging.
2. Keep the product in its original box until you ready to install it.
3. The counter top must be flat.
4. Shut off the water supply if replacing a previously-installed vessel sink.
5. Observe all plumbing and building codes in your area.
6. It is recommended that installation of the product be done by a professional plumber.



Rough-In Dimensions

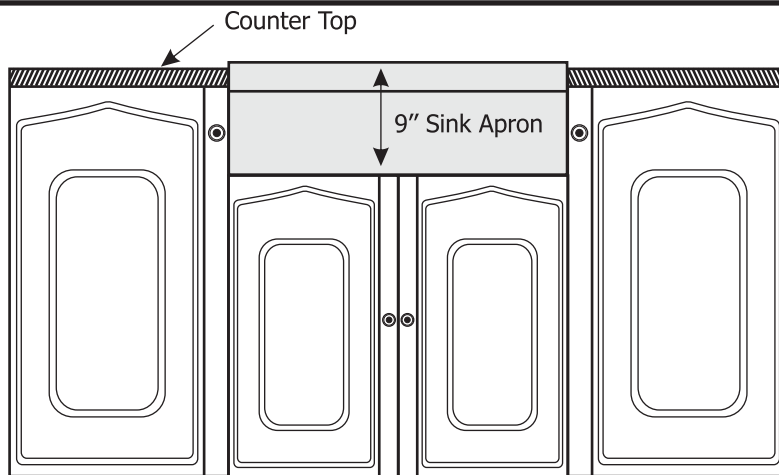


Diagram





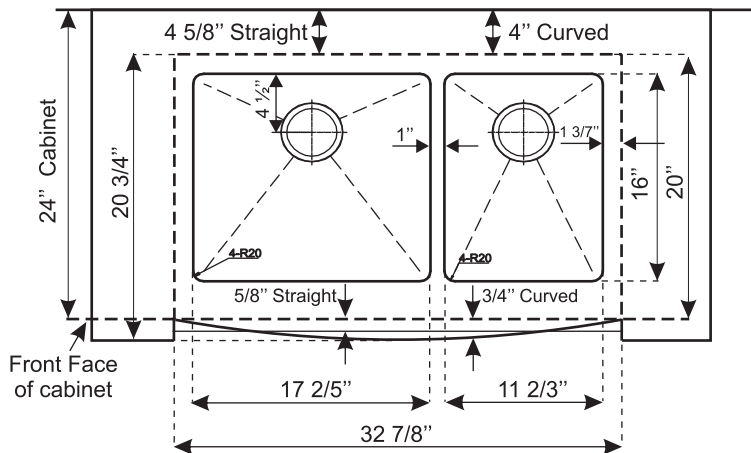
Built-Up Sinks



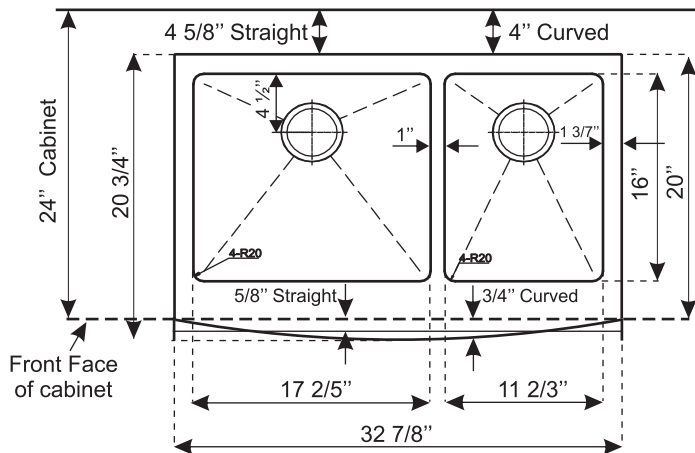
Bow (Curved) Front



Flush Front Installation



UNDERMOUNT SINK



BUILT-UP SINK



## Product Use & Care

### A Kraus Guide to Use and Care of Stainless Steel Sinks

#### "The Do's"

- When it comes to maintenance, the best thing you can do is be consistent in your cleaning. It is preferable to clean a little on a frequent basis than a heavy duty cleaning once in a while.
- You should make sure that the sink is always clean and dry when not in use. This is the best method of preventative maintenance. Keep the sink water spot free and shiny by rinsing and towel drying after every use.
- Keep the single clog free to prevent standing water which can lead to mineral deposit build up.
- If a mineral build up should occur, use a mixture of vinegar and hot water to remove the deposit.
- To clean your sink, use a non abrasive cleaning cloth combined with a mild cleaning procedure.
  - Use a soft cloth and liquid detergent on a mirror finish deck.
  - **DO NOT USE ANY ABRASIVE MATERIALS ON A MIRROR FINISH.**
  - For tougher stains use a mild abrasive cleaner like Ajax or Comet.
- Wipe the sink dry after cleaning to discourage any water spotting.
- Follow the direction of the grain when cleaning or scrubbing away stains. Scrubbing against the grain will show as a scratch.

#### "The Don'ts"

- Avoid using any abrasive steel wood pads as they will leave an iron residue that will eventually lead to rust and corrosion.
- Do not leave any steel or cast iron cookware in the sink for a long period of time. This may also leave iron particles that will corrode the sink
- Do not leave any cleaning materials such as sponges or rags in the sink for an extended period of time. Anything left in the sink can trap moisture which will eventually lead to staining
- Avoid using any abrasive cleaning materials such as steel wool pads on the polished finish of the sink, this will lead to scratching.

## About Kraus

Kraus is a leading designer and manufacturer of a broad selection of unique bathroom fixtures and accessories, including vessel sinks, faucets, showers, vanities and bathroom accessories. Kraus incorporates its distinguished style with superior functionality and affordability maintaining the highest standards of quality in its vast product line.

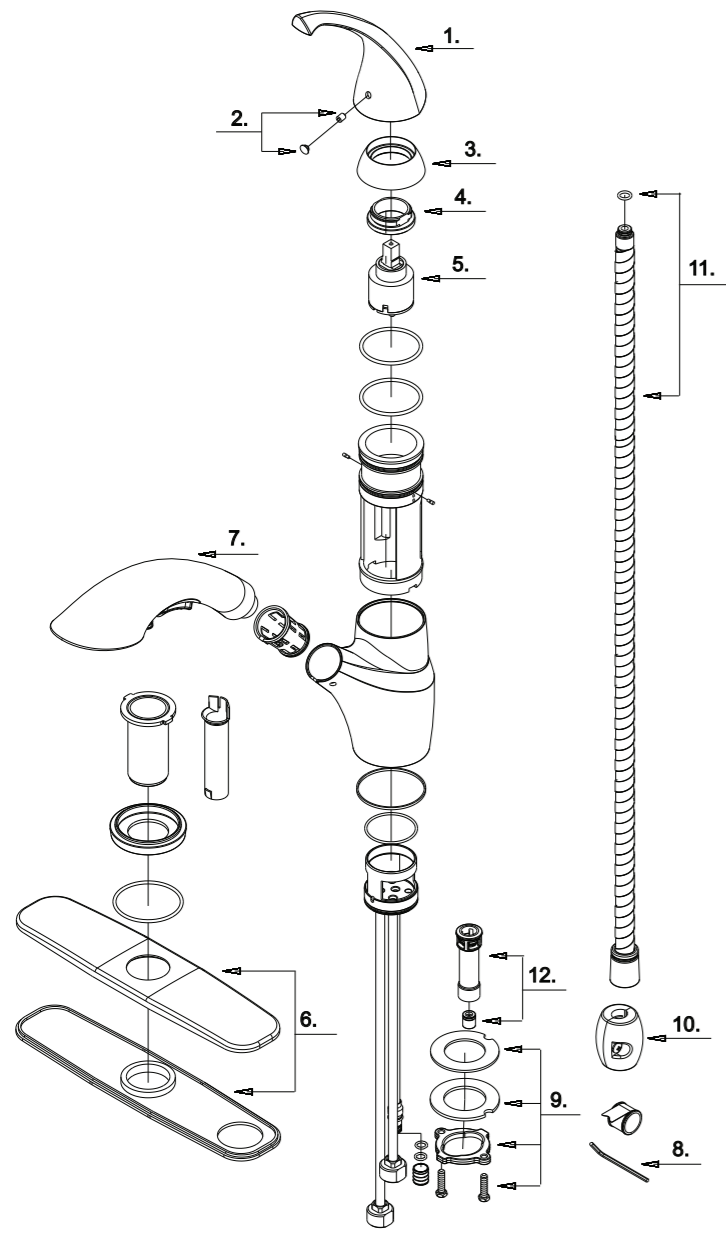
The Kraus brand name represents a fusion of leading-edge technology and an eye toward design. Our design team continuously explores broader markets, seeking new trends while maintaining superior quality at unprecedented prices. The Kraus collection has the widest selection of exquisite styles for any type of décor, ranging from modern residences to countryside homes.

For Kraus, durability and reliability have always been vital components for achieving the highest standards of excellence. Every model we offer undergoes rigorous testing and inspection prior to distribution.

The key element of our success is our customers' satisfaction. As a result, our products are in high demand with shoppers worldwide.

## Replacement Parts

Keep this manual for ordering replacement parts.



- 1 Metal Handle
- 2 Index Button-Cold/Hot
- 3 Trim Cap
- 4 Locking Nut
- 5 Ceramic Disc Cartridge
- 6 Cover Plate & Putty Plate
- 7 Spray Head
- 8 Hex Wrench (H2.5 \* 19 mm L \* 53 mm L)
- 9 Mounting Hardware Assembly
- 10 Weight
- 11 Spray Hose
- 12 Hose Adaptor Assembly

## Trouble - Shooting

If you've followed the instructions carefully and your faucet still does not work properly, take these corrective steps.

Problem	Cause	Action
Leakage under the handle.	Adjusting ring or cap has come loose.	Tighten the adjusting ring or cap.
Aerator leaks or has an inconsistent water flow pattern.	Aerator is dirty or misfitted.	Unscrew the aerator to check rubber packing or replace the aerator.
Water will not shut off completely.	Dirty or worn out plastic washer in the cartridge.	Remove the handle and the cartridge to check if the ceramic dish is dirty or permanently damaged.

Contact Us Toll-Free at 1-800-775-0703; or visit our website at [www.kraususa.com](http://www.kraususa.com). © 2008-2009 Kraus USA Inc.

# Kräus®

Where Creativity Is Endless

Dear Valued Customer,

Kraus would like to take this opportunity to thank you for purchasing Kraus products. It is our sincere hope that you are completely satisfied with your new purchase. We welcome any questions or comments you may have, and look forward to assisting you in the future.

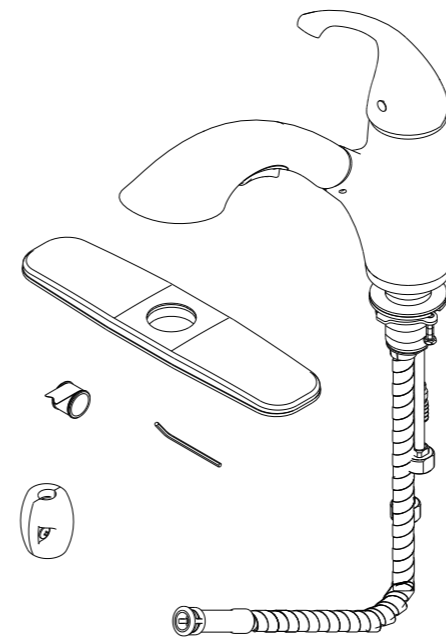
Sincerely,  
Kraus Customer Service Department.



## Pull Out Kitchen Faucet

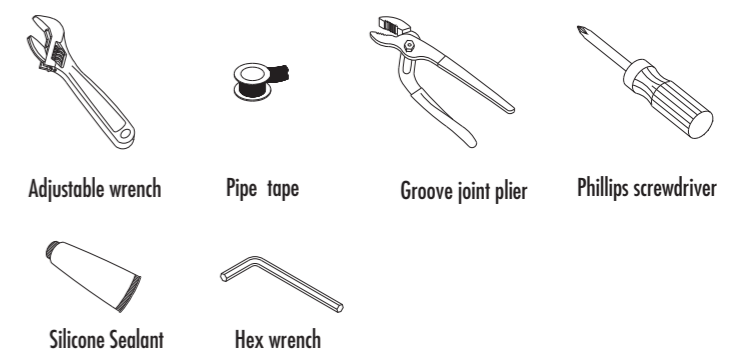
### Before Your Installation

Check to make sure you have the following parts indicated below:



Model  
KPF-2210 CH  
KPF-2210 SN  
KPF-2210 ORB

### Tools You Will Need



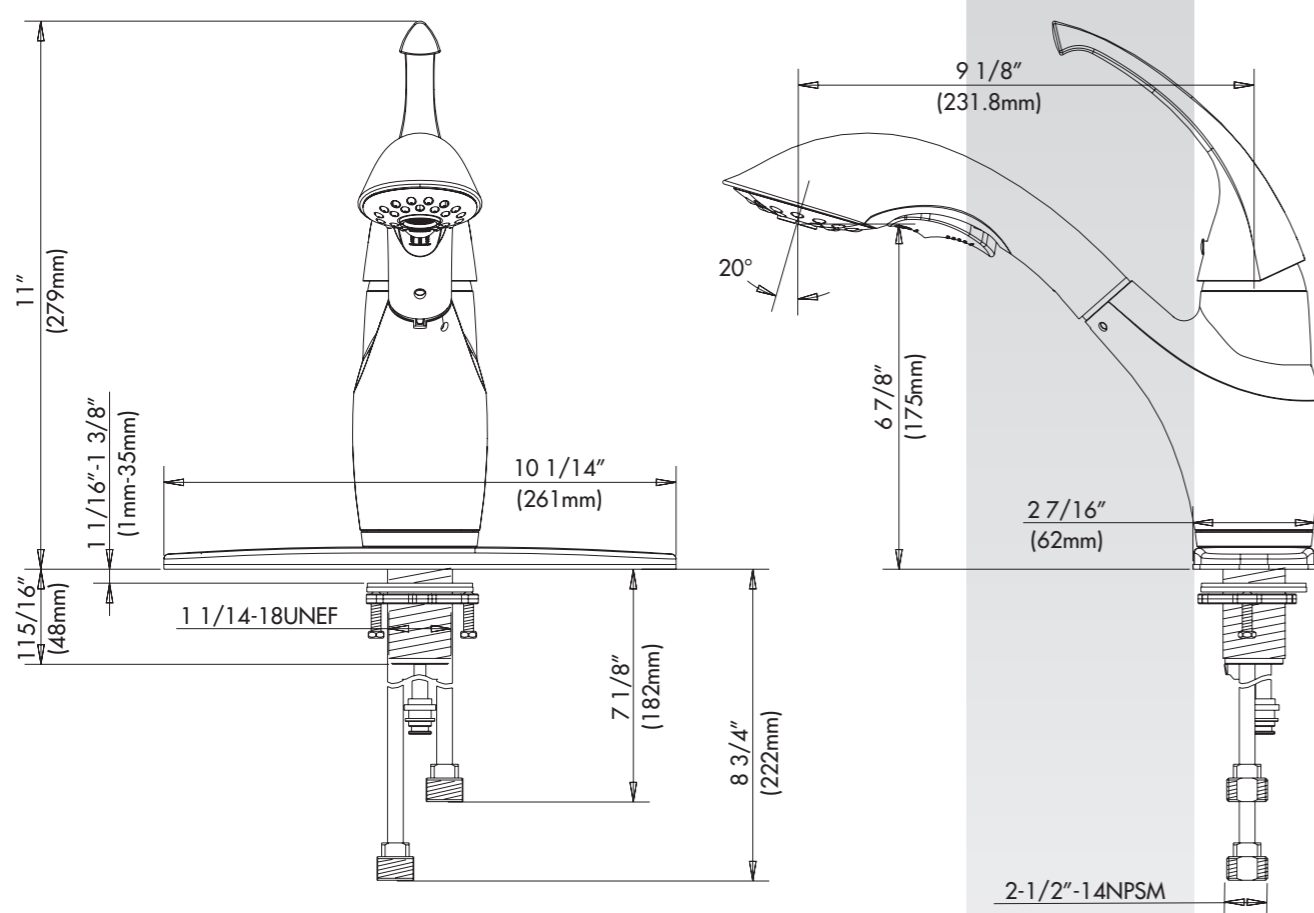
**SAFETY TIPS**

- Cover your drain to avoid losing parts
- When installing flexible hose, please notice: there should be no torsion or deformation; do not fold into Shape V or L; do not use if there is any crack or deformation.

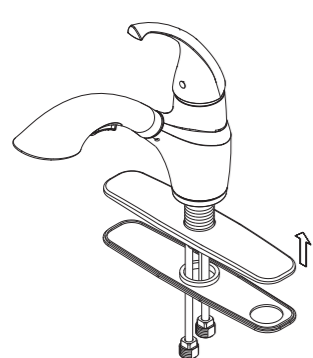
Contact Us Toll-Free at 1-800-775-0703; or visit our website at [www.kraususa.com](http://www.kraususa.com). © 2008-2009 Kraus USA Inc.

## Faucet Installation Procedure

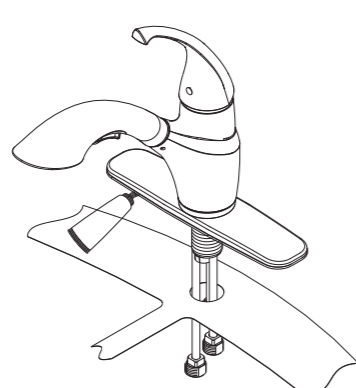
Shut off main water supply before installation.



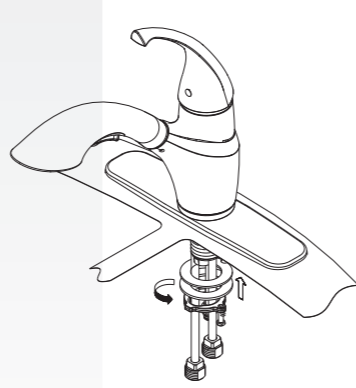
The fittings should be installed by a licensed plumber.



- 1 Attach cover plate to bottom of faucet with plastic gasket.



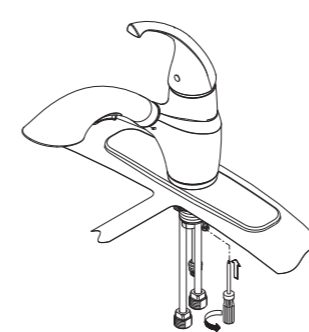
- 2 Place putty beneath the plastic gasket and install faucet through center hole.



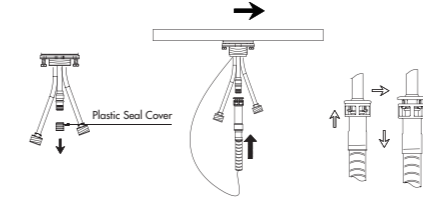
- 3 Attach rubber washer, metal washer, and lock nut on mounting body.

### MAINTENANCE

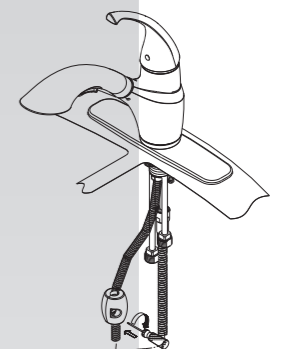
Your new faucet is designed for years of trouble-free performance. Keep it looking new by cleaning it periodically with a soft cloth. Avoid abrasive cleaners, steel wool and harsh chemicals as these will dull the finish and void your warranty.



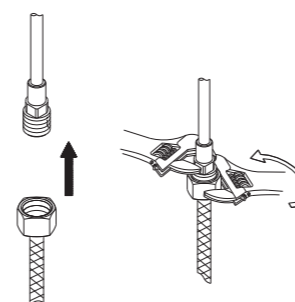
- 4 Tighten the two screws on lock nut.



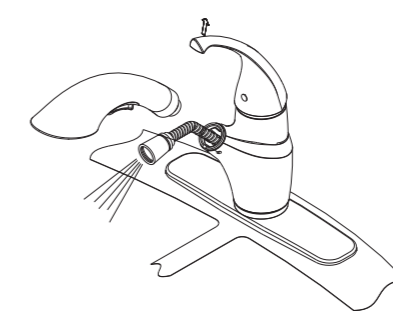
- 5 Remove the plastic seal cover from the outlet port prior to pushing the hose adaptor onto the same port, you will hear a "click" sound once they are joined.



- 6 Attach metal weight to the hose to prevent hose from twisting. Return hose to proper position.



- 7 Tighten end of shank with wrench and slip hose into the inlet port.



- 8 Remove spray head hose line. Turn on water and check for leakage. Replace spray head.

## KRAUS® Brand Kitchen Faucets Limited Lifetime Warranty

KRAUS is proud to offer its customers the strongest, most durable ceramic cartridges in all solid brass Kitchen Faucets it manufactures. KRAUS guarantees all of our products to be free of defect in materials and craftsmanship. All KRAUS BRAND Kitchen Faucets carry a limited lifetime warranty from the original date of purchase.

If a product fails due to defect in material or craftsmanship during the warranty period, KRAUS will repair or replace the items at our sole discretion. Warranty does not apply when the item has been tampered with, misused, improperly installed, altered, or damaged due to abuse or accident. Proof of purchase (original sales receipt) must be provided to KRAUS for all warranty claims. Please contact one of our representatives if you need any additional details.

All KRAUS products must be installed by a licensed professional plumber or contractor to avoid any improper use or installation.

IN NO EVENT SHALL KRAUS BE LIABLE FOR ANY INCIDENTAL, CONSEQUENTIAL OR SPECIAL DAMAGES, INSTALLATION COST, LABOR, TRAVEL TIME, FREIGHT COSTS INCURRED, LOST PROFITS, OR CONTINGENT LIABILITIES.

KRAUS USA Inc. makes no representation that its products comply with any or all local building or plumbing codes. It is the consumer's responsibility to determine local code compliance.

This warranty extends to the original purchaser and first consumer.

### MAINTENANCE

Your new faucet is designed for years of trouble-free performance. Keep it looking new by cleaning it periodically with a soft cloth. Avoid abrasive cleaners, steel wool and harsh chemicals as these will dull the finish and void your warranty.



AB1953 Compliant



Dear Valued Customer,

Kraus would like to take this opportunity to thank you for purchasing Kraus products. It is our sincere hope that you are completely satisfied with your new purchase. We welcome any questions or comments you may have, and look forward to assisting you in the future.

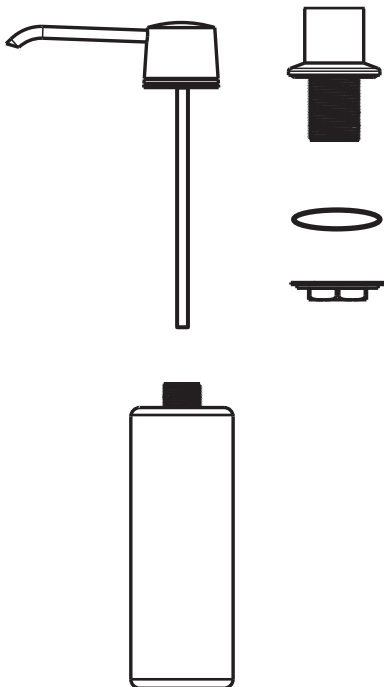
Sincerely,  
Kraus customer service department.



# Soap Dispenser

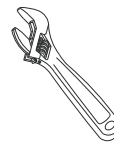
## Before Your Installation

Check to make sure you have the following parts indicated below:



MODEL
SD-30-CH
SD-30-SN
SD-30-ORB

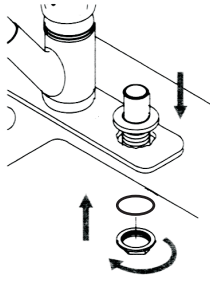
## Tools You Will Need



Adjustable wrench

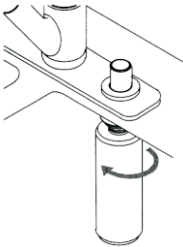
## Soap Dispenser Installation Procedure

1



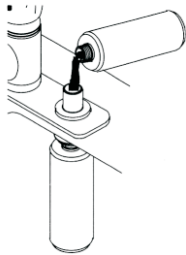
Attach nut and washer to container threads. Insert container through hole below sink. Position concealment flange and secure with dispenser base.

2



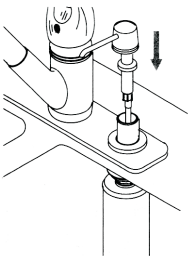
Tighten nut.

3

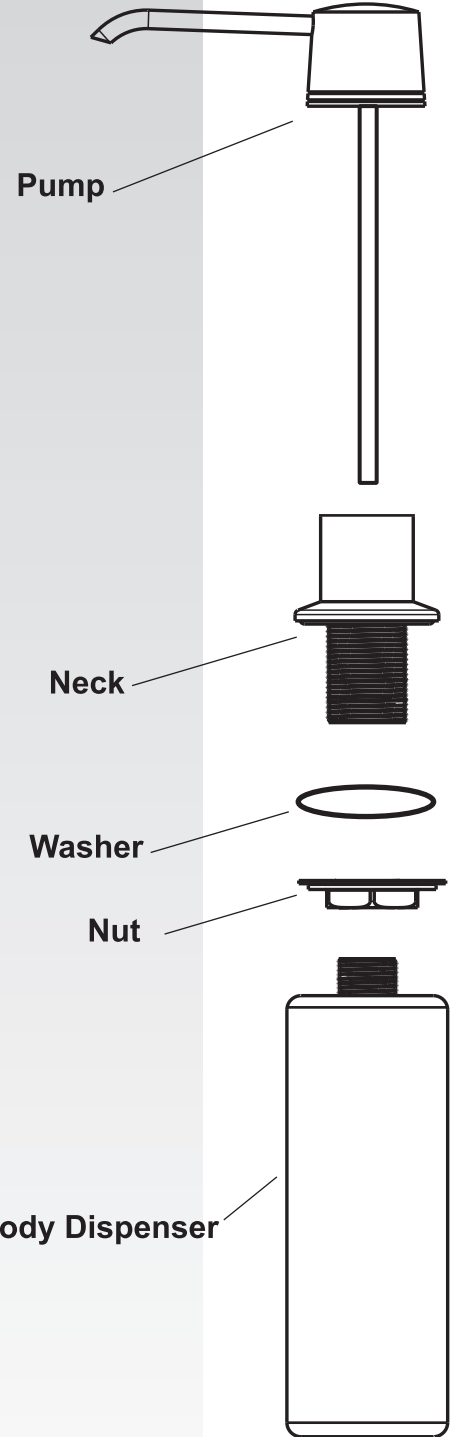


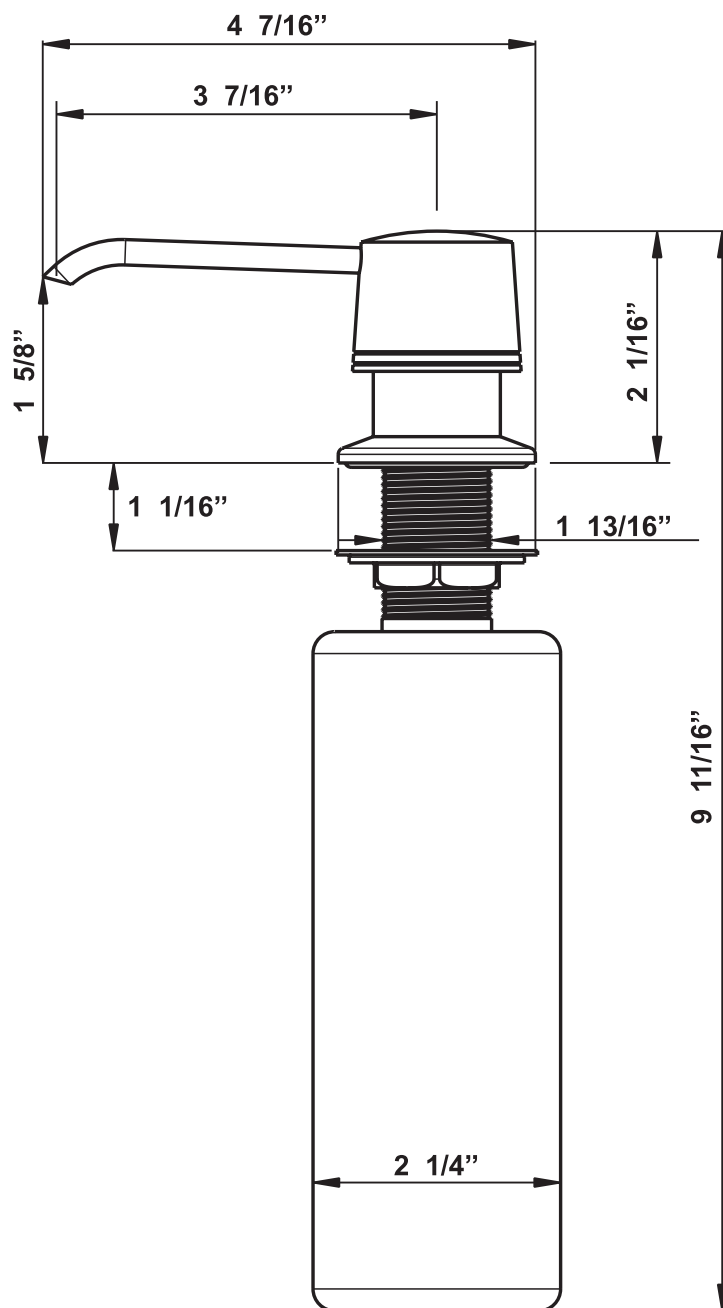
Fill container with approximately 8-10oz. of soap or lotion.

4



Insert pump.





## About Kraus

Kraus is a leading designer and manufacturer of a broad selection of unique bathroom fixtures and accessories, including vessel sinks, faucets, showers, vanities and bathroom accessories. Kraus incorporates its distinguished style with superior functionality and affordability, maintaining the highest standards of quality in its vast product line.

The Kraus brand name represents a fusion of leading-edge technology and an eye toward design. Our design team continuously explores broader markets, seeking new trends while maintaining superior quality at unprecedented prices. The Kraus collection has the widest selection of exquisite styles for any type of décor, from modern residences to countryside homes.

For Kraus, durability and reliability have always been vital components for achieving the highest standards. Every model we offer undergoes rigorous testing and inspection prior to distribution. The key element of our success is our customers' satisfaction. As a result, our products are in high demand with shoppers worldwide.