


**MODEL-KHF-203-33**
**Product Description and Measurements**
*Kitchen stainless steel sink*

- ★ Kraus Collection
- ★ 16 Gauge Stainless Steel
- ★ Overall Size: 32 7/8" X 20 3/4 X 10"
- ★ Apron double bowl kitchen sink



In Accordance with Industry Codes & Standards for USA & Canada  
All Kraus Stainless Steel Kitchen Sinks are Certified & Listed By cUPC.


**Thank You**

Dear Valued Customer,  
Kraus would like to take this opportunity to thank you for this purchase. It is our sincere hope that you are completely satisfied with your new product. We welcome any questions or comments that you may have and look forward to assisting you with your accessory needs in the future.

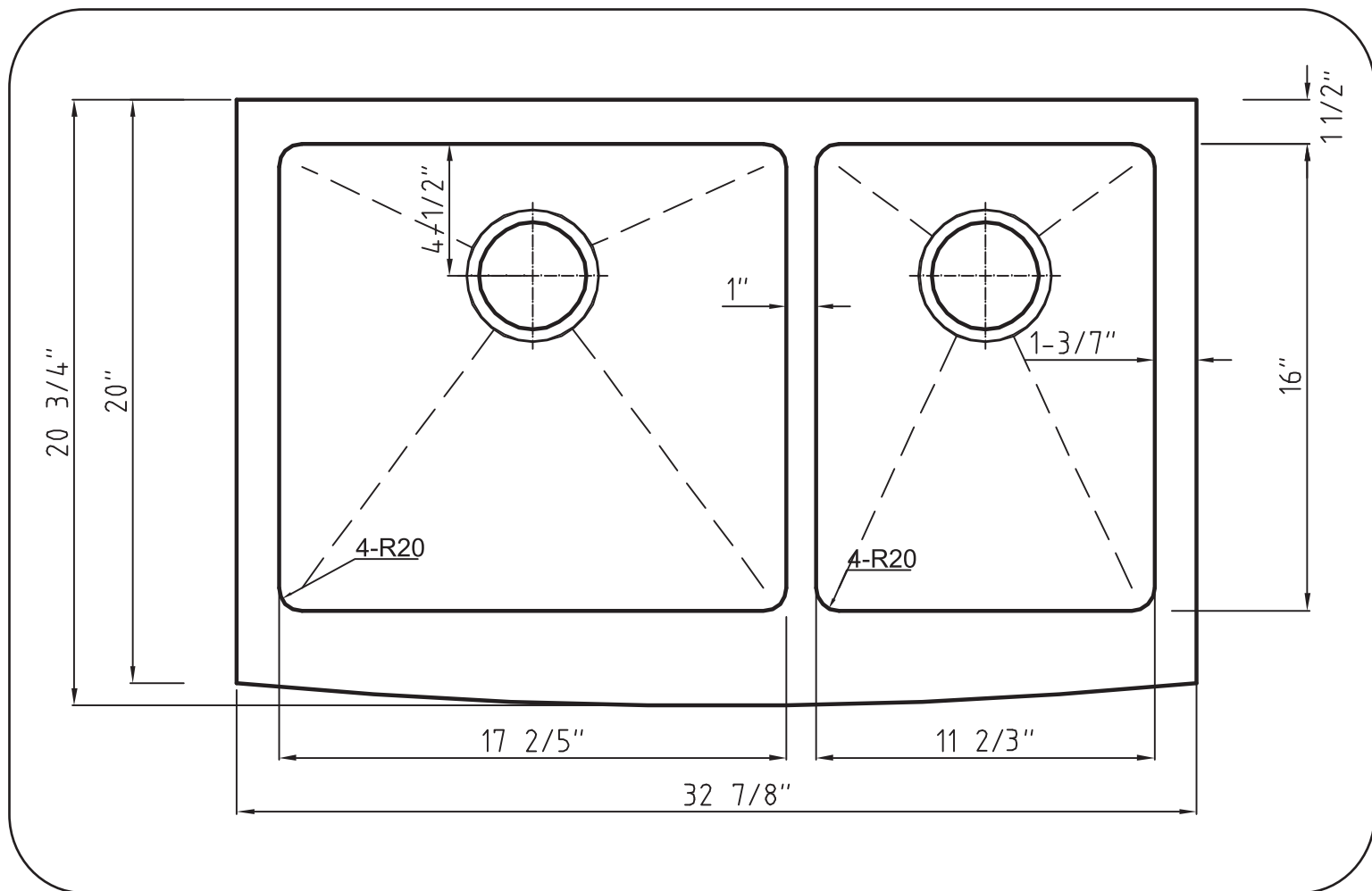
Sincerely,  
Kraus customer service department.

**Prior To Installation Steps**

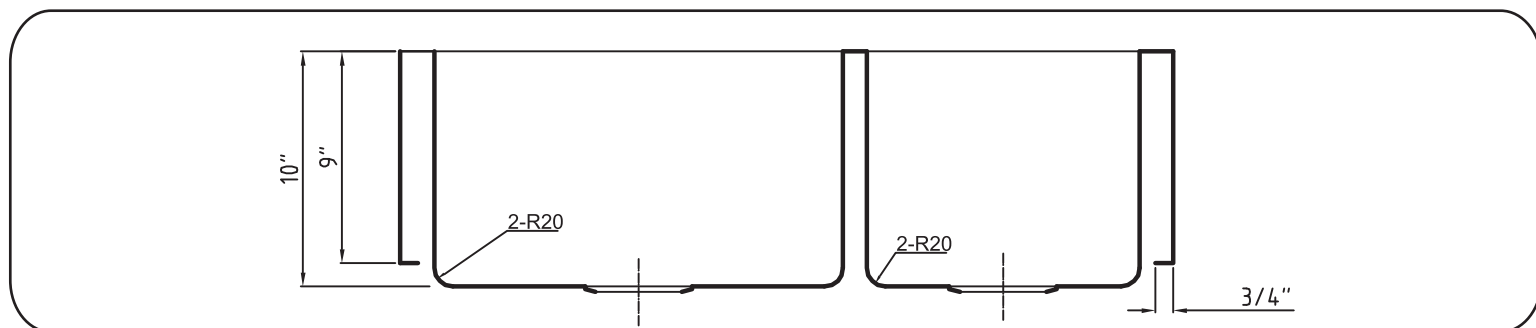
1. Unpack your new product and ensure that all the parts are contained in the packaging.
2. Keep the product in its original box until you ready to install it.
3. The counter top must be flat.
4. Shut off the water supply if replacing a previously-installed vessel sink.
5. Observe all plumbing and building codes in your area.
6. It is recommended that installation of the product be done by a professional plumber.



Rough-In Dimensions

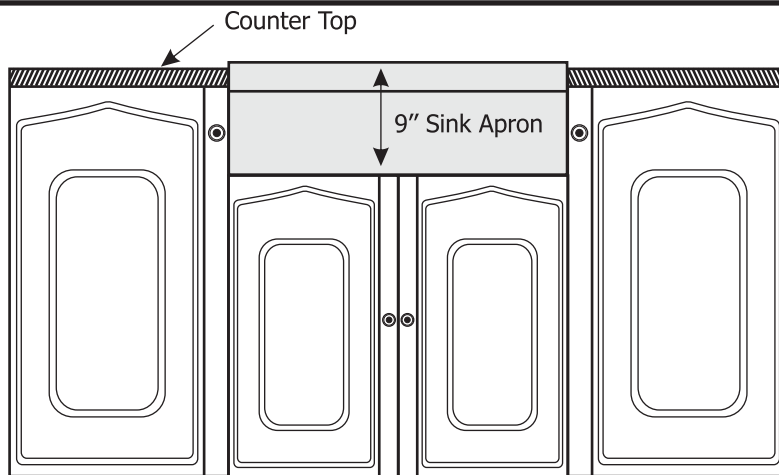


Diagram





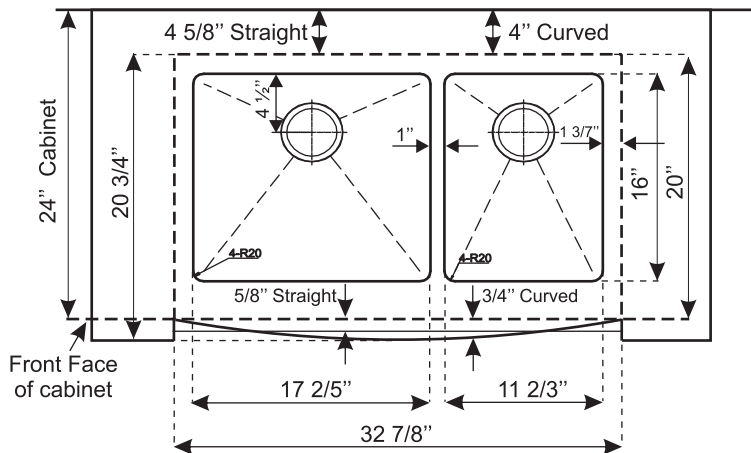
Built-Up Sinks



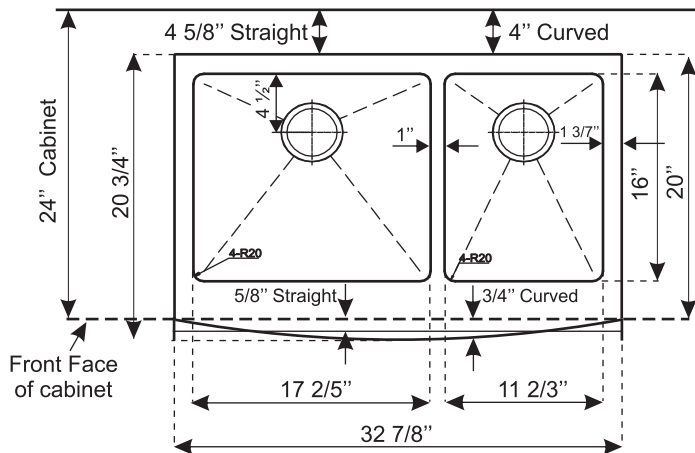
Bow (Curved) Front



Flush Front Installation



UNDERMOUNT SINK



BUILT-UP SINK



## Product Use & Care

### A Kraus Guide to Use and Care of Stainless Steel Sinks

#### "The Do's"

- When it comes to maintenance, the best thing you can do is be consistent in your cleaning. It is preferable to clean a little on a frequent basis than a heavy duty cleaning once in a while.
- You should make sure that the sink is always clean and dry when not in use. This is the best method of preventative maintenance. Keep the sink water spot free and shiny by rinsing and towel drying after every use.
- Keep the single clog free to prevent standing water which can lead to mineral deposit build up.
- If a mineral build up should occur, use a mixture of vinegar and hot water to remove the deposit.
- To clean your sink, use a non abrasive cleaning cloth combined with a mild cleaning procedure.
  - Use a soft cloth and liquid detergent on a mirror finish deck.
  - **DO NOT USE ANY ABRASIVE MATERIALS ON A MIRROR FINISH.**
  - For tougher stains use a mild abrasive cleaner like Ajax or Comet.
- Wipe the sink dry after cleaning to discourage any water spotting.
- Follow the direction of the grain when cleaning or scrubbing away stains. Scrubbing against the grain will show as a scratch.

#### "The Don'ts"

- Avoid using any abrasive steel wood pads as they will leave an iron residue that will eventually lead to rust and corrosion.
- Do not leave any steel or cast iron cookware in the sink for a long period of time. This may also leave iron particles that will corrode the sink
- Do not leave any cleaning materials such as sponges or rags in the sink for an extended period of time. Anything left in the sink can trap moisture which will eventually lead to staining
- Avoid using any abrasive cleaning materials such as steel wool pads on the polished finish of the sink, this will lead to scratching.

## About Kraus

Kraus is a leading designer and manufacturer of a broad selection of unique bathroom fixtures and accessories, including vessel sinks, faucets, showers, vanities and bathroom accessories. Kraus incorporates its distinguished style with superior functionality and affordability maintaining the highest standards of quality in its vast product line.

The Kraus brand name represents a fusion of leading-edge technology and an eye toward design. Our design team continuously explores broader markets, seeking new trends while maintaining superior quality at unprecedented prices. The Kraus collection has the widest selection of exquisite styles for any type of décor, ranging from modern residences to countryside homes.

For Kraus, durability and reliability have always been vital components for achieving the highest standards of excellence. Every model we offer undergoes rigorous testing and inspection prior to distribution.

The key element of our success is our customers' satisfaction. As a result, our products are in high demand with shoppers worldwide.

**Kräus<sup>®</sup>**

INSTALLATION MANUAL

# Single Lever Pull Out Kitchen Faucet

KPF-1602

# Congratulations on your new Kraus purchase!

We would like to take this opportunity to thank you for your business with Kraus USA. It is our sincere hope that you are completely satisfied with your Kraus experience. We welcome any questions or comments you may have, and look forward to assisting you in the future.

For more information about Kraus products, please visit our website at:  
[www.kraususa.com](http://www.kraususa.com).

In order to allow us to serve you better, we recommend registering your new Kraus product at: [www.kraususa.com/product-registration](http://www.kraususa.com/product-registration)

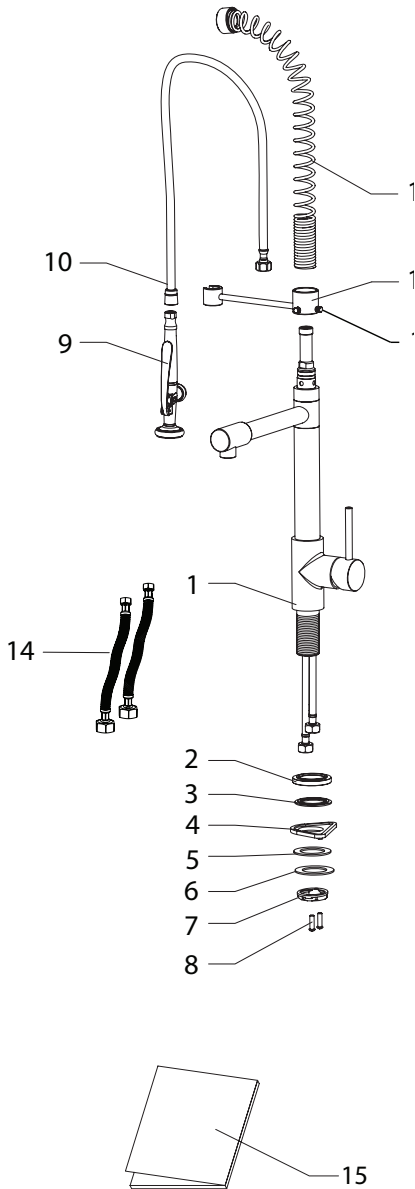
*Sincerely,*

*Kraus Customer Service Department*

## Prior to Installation

- Make sure that the cold and hot water lines are turned off
- Wrap all threaded connections with Teflon tape. Always wrap in a clockwise direction
- Cover your drain to avoid losing parts
- Do not disassemble the main faucet body, as it has been installed & commissioned correctly & precisely before delivery from the factory
- To keep the faucet from jamming, flush the water pipe before installation
- Using condition: Working pressure at 0.05-1.0MPa (including cold & hot water pressure) with applicable water temperature: 4°C-90°C
- The minimum distance between the faucet hole and the wall/backsplash is 3.5"
- The faucet hole size must be between 1-3/8" and 1-1/2"
- Check to make sure you have all included parts (page 2)
- Do not assemble parts 9 -12 until step 4

# KPF-1602 Diagram and Parts List



## Included Parts:

1. Faucet Body
2. Base
3. Base O-Ring
4. Plastic Washer - Optional  
(Top Mount Sinks Only)
5. Rubber Washer
6. Metal Washer
7. Mounting Nut
8. Mounting Screws (2)
9. Spray Head
10. Spray Hose
11. Spring
12. Sprayer Holder
13. Thumb Screws (2)
14. Hot and Cold Waterlines
15. Manual

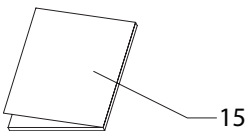
## Tools you will need:



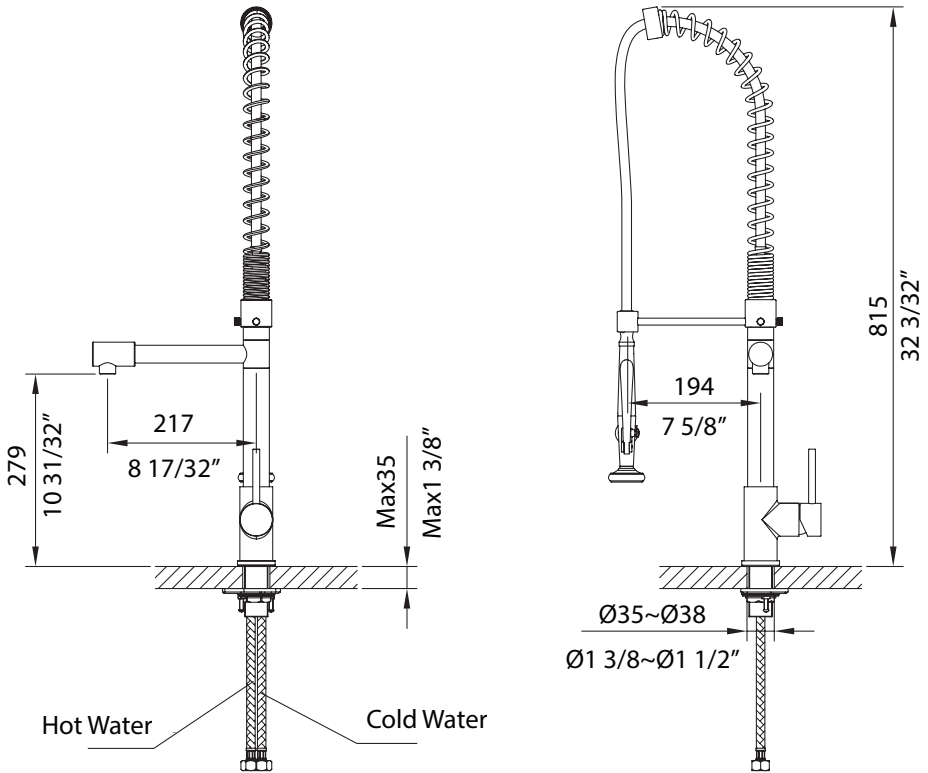
Wrench



Phillips Screwdriver



## Dimension Drawings



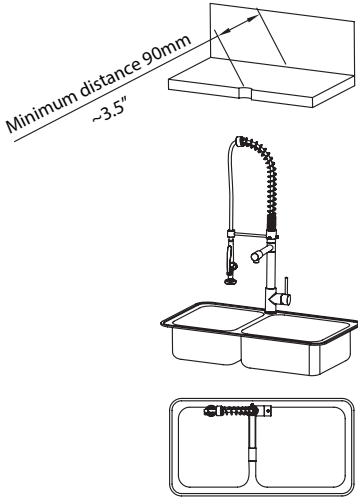
### Safety Tips

- If soldering the water connections when installing the faucet, remove the O-rings, cartridges, and washers before applying any heat
- Protect your eyes with safety glasses when cutting or soldering
- Do not overtighten fixing screws/nuts. Tighten finger-tight, then use a wrench/screwdriver to tighten the fixing screw/nut until snug

# Faucet Installation Procedures

## Installation Method 1

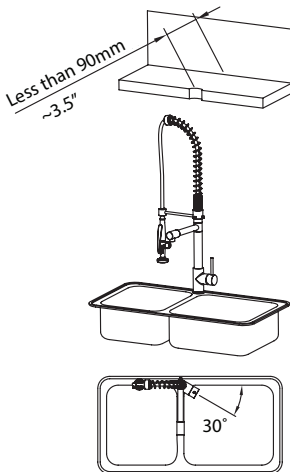
---



When possible, the minimum distance between the faucet hole and the wall should be 3.5''.

## Installation Method 2 (optional)

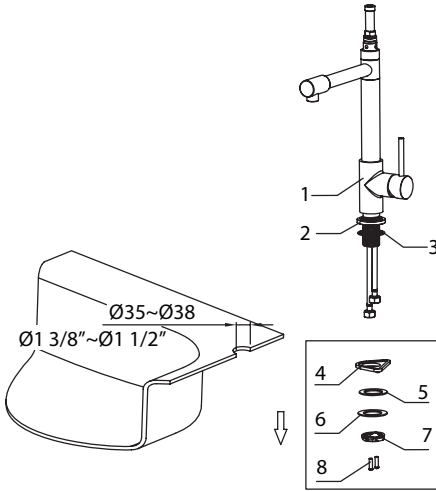
---



If circumstances require the distance between the faucet hole and the wall to be less than 3.5'', position the faucet lever 30° to 90° off the wall to allow for full operation.

## Step 1

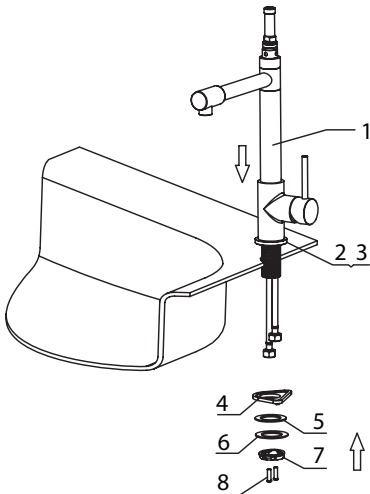
---



Remove the mounting screws (8), mounting nut (7), metal washer (6), rubber washer (5), and plastic washer (4) from the main faucet (1). The base (2) and base O-ring (3) should remain on the faucet body.

## Step 2

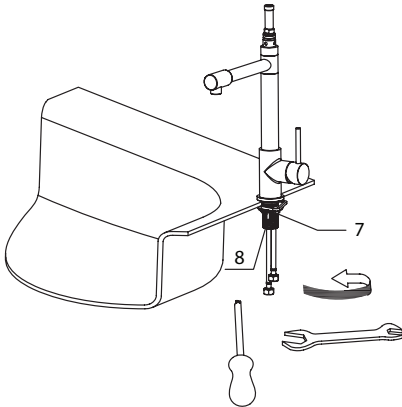
---



Insert faucet body into the hole on the deck with the base (2) and base O-ring (3) attached, then install plastic washer (4), rubber washer (5), metal washer (6), mounting nut (7), and mounting screws (8) from underneath the sink.

### Step 3

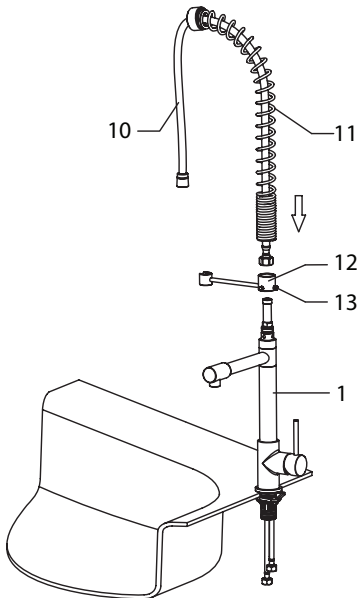
---



After adjusting the direction of the faucet body (1), tighten the mounting nut (7) until snug and tighten the mounting screws (8) to the nut with a Phillips head screwdriver until snug.

### Step 4

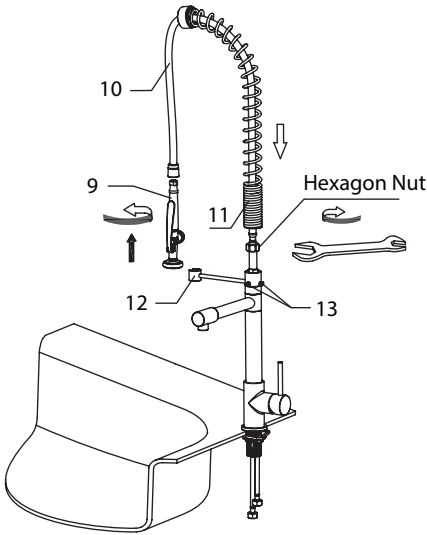
---



Situate the sprayer holder (12) onto the faucet body (1), then connect the sprayer hose (10) to the faucet body (1) and finger tighten.

## Step 5

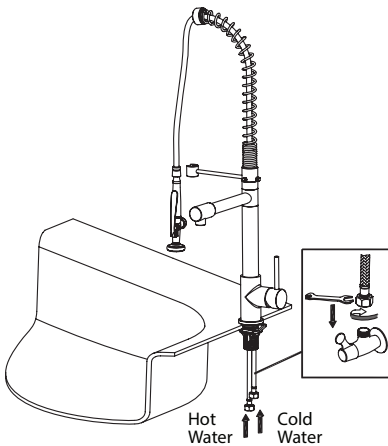
---



Tighten the hexagon nut of sprayer hose (10) with a wrench until snug. Insert the spring (11) into sprayer holder (12). After adjusting the direction of sprayer holder (12) to the desired location, tighten thumb screws (13). Connect sprayer (9) to the sprayer hose (10); finger-tighten, then tighten with wrench until snug.

## Step 6

---



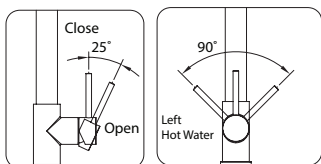
Connect and tighten hot and cold waterlines (14) to the angle stops and tighten with a wrench until snug. Turn on the water supplies and check for leaks.

### Installer Tip

If facing faucet, the hot water connector is to the left & cold water connector is to the right.

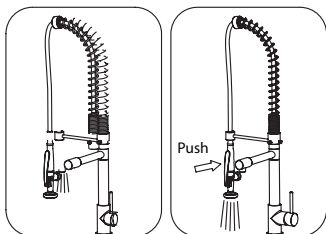
# Usage

## How to operate the handle:



1. Raise the lever handle to turn on the water. Push down to turn off.
2. Turn the lever handle to the left to increase hot water flow, turn to the right to increase cold flow.

## Sprayer:



1. To activate sprayer, turn on water with lever and squeeze sprayer.

---

## Care & Maintenance

\*To keep the product clean & shining, follow the steps below:



1. Rinse with clean water & dry with a soft cloth
2. Do not clean with soaps, acid, polish, abrasives, or harsh cleaners
3. Do not use a cloth with a coarse surface
4. Unscrew the aerator and clean when necessary

\*This installation manual is subject to change without further notice.

## Trouble - Shooting

If you have followed the instructions carefully and your faucet still does not work properly, take the following corrective steps:

PROBLEM	CAUSE	ACTION
Leakage under the handle	Locking nut has come loose	Unscrew the lever on the handle by hand. Loosen set screw with a hex wrench. Remove the handle and unscrew trim cap by hand. Tighten locking nut with an adjustable wrench
Aerator drips or has inconsistent water flow pattern	Aerator is dirty or not seated properly	Unscrew aerator by hand and clean out debris
Water will not shut off completely	Cartridge may be defective	Unscrew the lever on the handle by hand. Loosen set screw with a hex wrench (2.5 mm). Remove the handle and unscrew trim cap by hand. Unscrew the locking nut with an adjustable wrench. Remove ceramic disc cartridge. Check for cracks
Leaking between hose and faucet body or spray head	Hose may be loose or washers are not seated correctly in the hose connections	Tighten the hexagon nut with a wrench and make sure the washers are seated correctly

## **Codes/Standards Applicable:**

Specified model meets or exceeds the following: ANSI/ASME A112.18.1, cUPC, AB1953

## **KRAUS Brand Lavatory Faucets Limited Lifetime Warranty**

KRAUS is proud to offer its customers the strongest, most durable ceramic cartridges in all of its solid brass Lavatory Faucets. KRAUS guarantees that all of its products are free of defect in materials and craftsmanship. All KRAUS BRAND Lavatory Faucets carry a limited lifetime warranty from the original date of purchase.

If a product fails due to defect in material or craftsmanship during the warranty period, KRAUS will repair or replace the items at its sole discretion. Warranty does not apply when the item has been tampered with, misused, improperly installed, altered, or damaged due to abuse or accident. Proof of purchase (original sales receipt) must be provided to KRAUS for all warranty claims. Please contact one of our representatives for any additional details.

All KRAUS products must be installed by a licensed professional plumber or contractor to avoid any improper use or installation.

IN NO EVENT SHALL KRAUS BE LIABLE FOR ANY INCIDENTAL, CONSEQUENTIAL, OR SPECIAL DAMAGES, INSTALLATION COST, LABOR, TRAVEL TIME, FREIGHT COSTS INCURRED, LOST PROFITS, OR CONTINGENT LIABILITIES.

KRAUS USA Inc. makes no representation that its products comply with any or all local building or plumbing codes. It is the consumer's responsibility to determine local code compliance.

This warranty extends to the original purchaser and first consumer.

---

## **HELP LINE**

For additional assistance at any point in the installation process, please call us at 1.800.775.0703 or email us at [info@kraususa.com](mailto:info@kraususa.com)

Our customer service hours are Monday – Friday, 9am – 6pm EST.  
Be sure to visit our website at [www.kraususa.com](http://www.kraususa.com).

Kräus®

[www.kraususa.com](http://www.kraususa.com)



Dear Valued Customer,

Kraus would like to take this opportunity to thank you for purchasing Kraus products. It is our sincere hope that you are completely satisfied with your new purchase. We welcome any questions or comments you may have, and look forward to assisting you in the future.

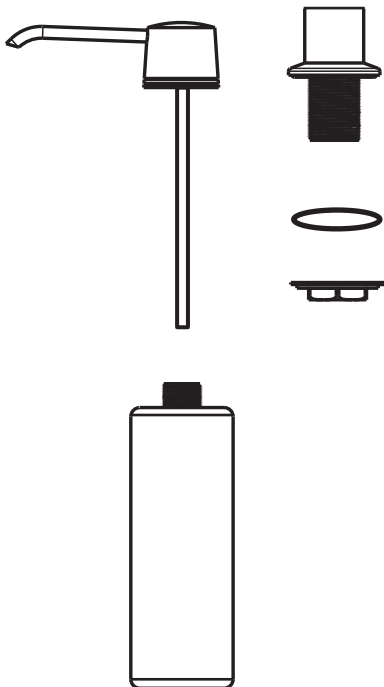
Sincerely,  
Kraus customer service department.



# Soap Dispenser

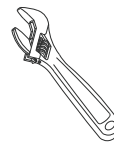
## Before Your Installation

Check to make sure you have the following parts indicated below:



MODEL
SD-30-CH
SD-30-SN
SD-30-ORB

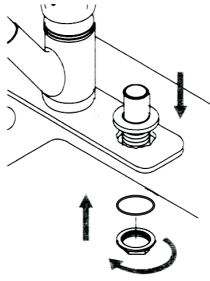
## Tools You Will Need



Adjustable wrench

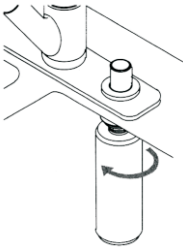
# Soap Dispenser Installation Procedure

1



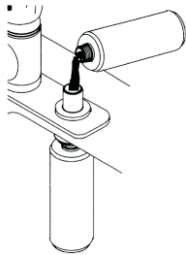
Attach nut and washer to container threads. Insert container through hole below sink. Position concealment flange and secure with dispenser base.

2



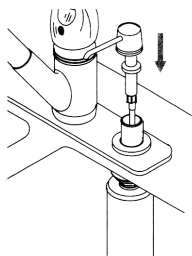
Tighten nut.

3

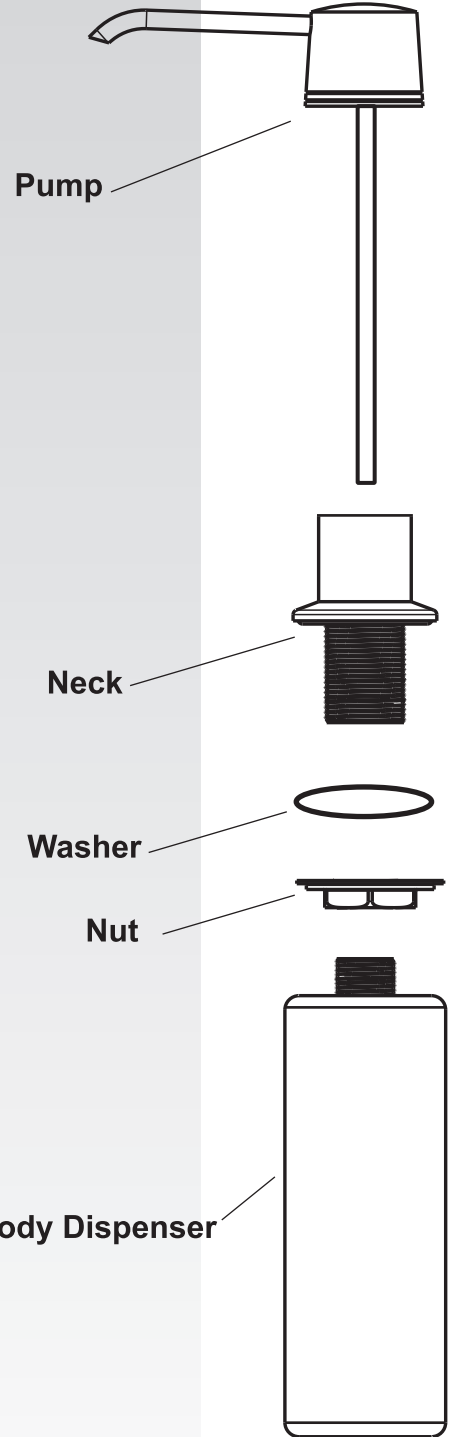


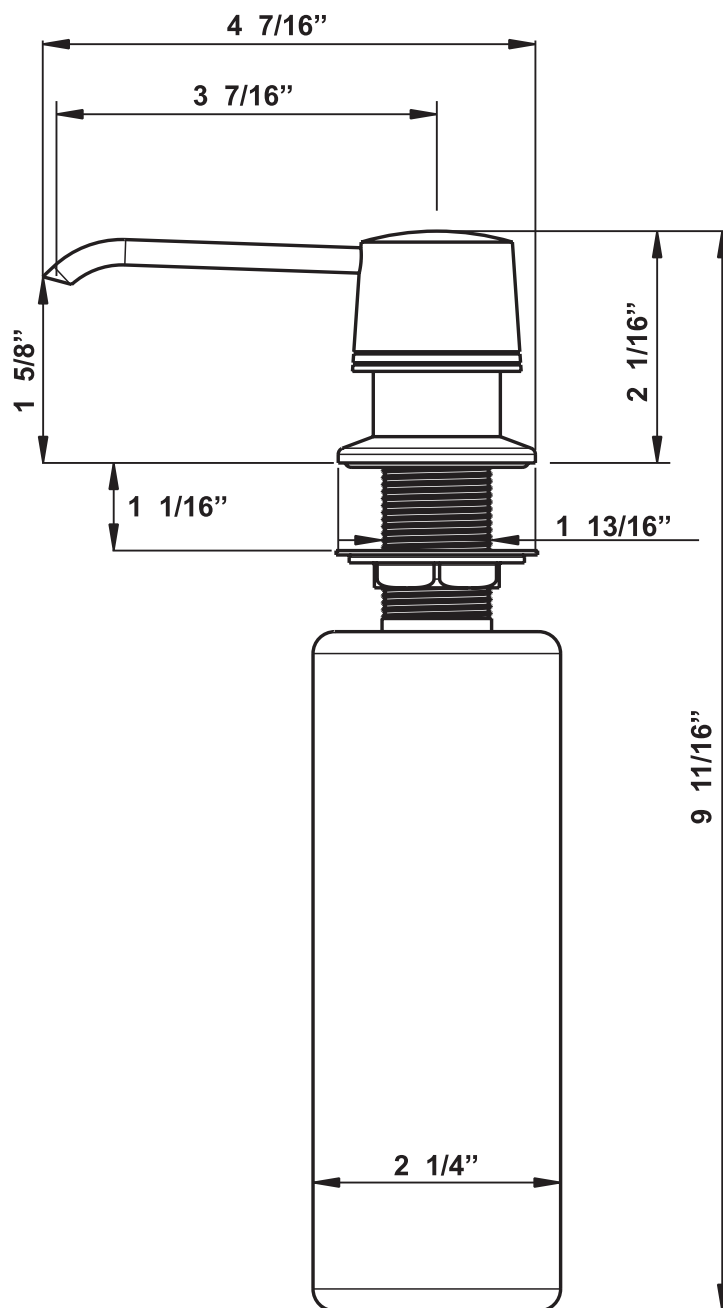
Fill container with approximately 8-10oz. of soap or lotion.

4



Insert pump.





## About Kraus

Kraus is a leading designer and manufacturer of a broad selection of unique bathroom fixtures and accessories, including vessel sinks, faucets, showers, vanities and bathroom accessories. Kraus incorporates its distinguished style with superior functionality and affordability, maintaining the highest standards of quality in its vast product line.

The Kraus brand name represents a fusion of leading-edge technology and an eye toward design. Our design team continuously explores broader markets, seeking new trends while maintaining superior quality at unprecedented prices. The Kraus collection has the widest selection of exquisite styles for any type of décor, from modern residences to countryside homes.

For Kraus, durability and reliability have always been vital components for achieving the highest standards. Every model we offer undergoes rigorous testing and inspection prior to distribution. The key element of our success is our customers' satisfaction. As a result, our products are in high demand with shoppers worldwide.