


MODEL-KHF-200-30
Product Description and Measurements
Kitchen stainless steel sink

- ★ Kraus Collection
- ★ 16 Gauge Stainless Steel
- ★ Overall Size: 29 3/4" X 20" X 10"
- ★ Apron single bowl kitchen sink



In Accordance with Industry Codes & Standards for USA & Canada
All Kraus Stainless Steel Kitchen Sinks are Certified & Listed By cUPC.


Thank You

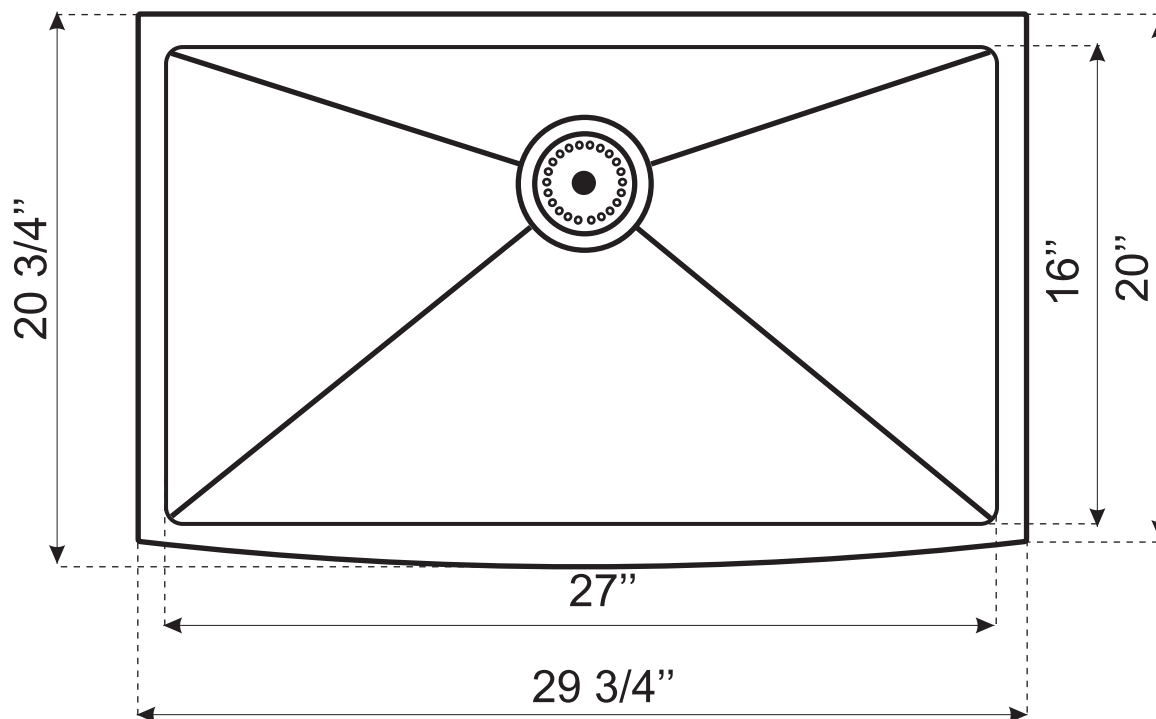
Dear Valued Customer,
Kraus would like to take this opportunity to thank you for this purchase. It is our sincere hope that you are completely satisfied with your new product. We welcome any questions or comments that you may have and look forward to assisting you with your accessory needs in the future.

Sincerely,
Kraus customer service department.

Prior To Installation Steps

1. Unpack your new product and ensure that all the parts are contained in the packaging.
2. Keep the product in its original box until you ready to install it.
3. The counter top must be flat.
4. Shut off the water supply if replacing a previously-installed vessel sink.
5. Observe all plumbing and building codes in your area.
6. It is recommended that installation of the product be done by a professional plumber.

Rough-In Dimensions



Diagram





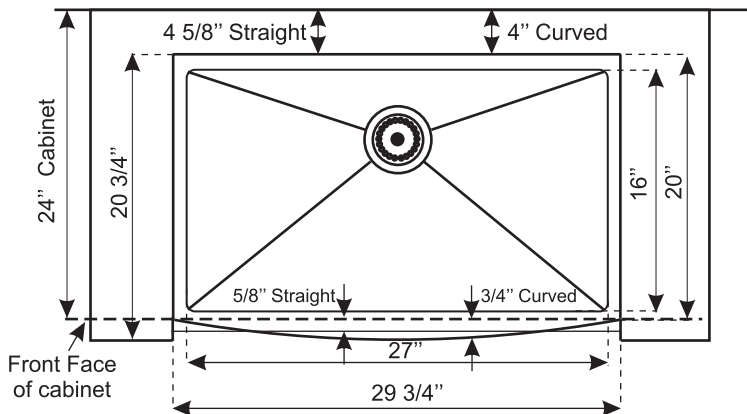
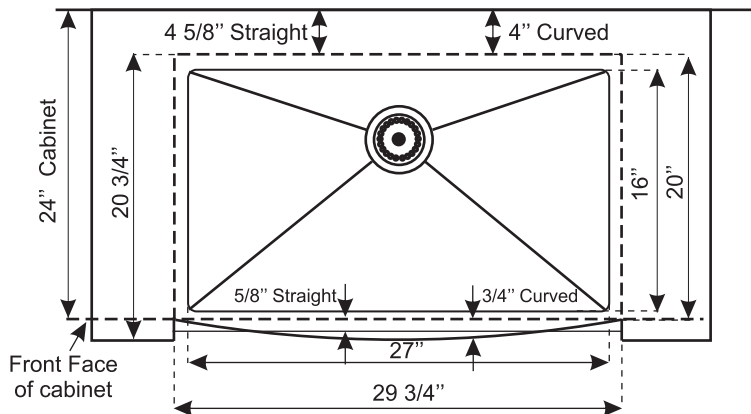
Built-Up Sinks



Bow (Curved) Front



Flush Front Installation





Product Use & Care

A Kraus Guide to Use and Care of Stainless Steel Sinks

"The Do's"

- When it comes to maintenance, the best thing you can do is be consistent in your cleaning. It is preferable to clean a little on a frequent basis than a heavy duty cleaning once in a while.
- You should make sure that the sink is always clean and dry when not in use. This is the best method of preventative maintenance. Keep the sink water spot free and shiny by rinsing and towel drying after every use.
- Keep the single clog free to prevent standing water which can lead to mineral deposit build up.
- If a mineral build up should occur, use a mixture of vinegar and hot water to remove the deposit.
- To clean your sink, use a non abrasive cleaning cloth combined with a mild cleaning procedure.
 - Use a soft cloth and liquid detergent on a mirror finish deck.
 - **DO NOT USE ANY ABRASIVE MATERIALS ON A MIRROR FINISH.**
 - For tougher stains use a mild abrasive cleaner like Ajax or Comet.
- Wipe the sink dry after cleaning to discourage any water spotting.
- Follow the direction of the grain when cleaning or scrubbing away stains. Scrubbing against the grain will show as a scratch.

"The Don'ts"

- Avoid using any abrasive steel wood pads as they will leave an iron residue that will eventually lead to rust and corrosion.
- Do not leave any steel or cast iron cookware in the sink for a long period of time. This may also leave iron particles that will corrode the sink
- Do not leave any cleaning materials such as sponges or rags in the sink for an extended period of time. Anything left in the sink can trap moisture which will eventually lead to staining
- Avoid using any abrasive cleaning materials such as steel wool pads on the polished finish of the sink, this will lead to scratching.

About Kraus

Kraus is a leading designer and manufacturer of a broad selection of unique bathroom fixtures and accessories, including vessel sinks, faucets, showers, vanities and bathroom accessories. Kraus incorporates its distinguished style with superior functionality and affordability maintaining the highest standards of quality in its vast product line.

The Kraus brand name represents a fusion of leading-edge technology and an eye toward design. Our design team continuously explores broader markets, seeking new trends while maintaining superior quality at unprecedented prices. The Kraus collection has the widest selection of exquisite styles for any type of décor, ranging from modern residences to countryside homes.

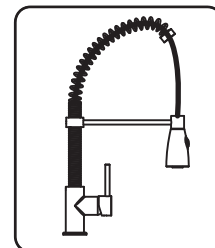
For Kraus, durability and reliability have always been vital components for achieving the highest standards of excellence. Every model we offer undergoes rigorous testing and inspection prior to distribution.

The key element of our success is our customers' satisfaction. As a result, our products are in high demand with shoppers worldwide.

Product Description and Measurements

Installation Instruction

Single Lever Pull Out Sink Mixer



Thank You

Dear Valued Customer,
Kraus would like to take this opportunity to thank you for purchasing Kraus products. It is our sincere hope that you are completely satisfied with your new purchase. We welcome any questions or comments you may have, and look forward to assisting you in the future.

Sincerely,
Kraus customer service department.

Prior To Installation Steps

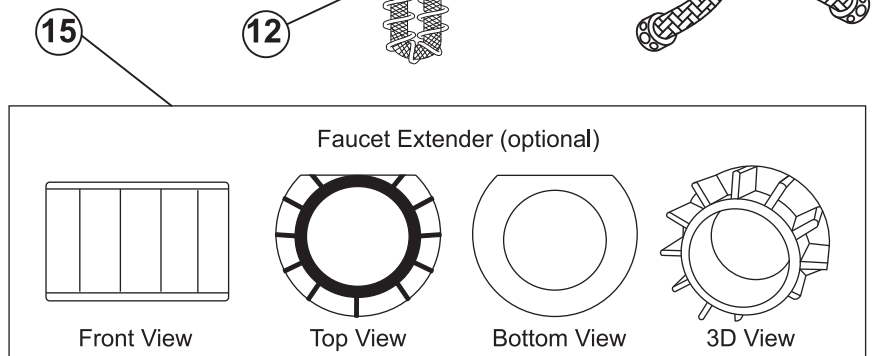
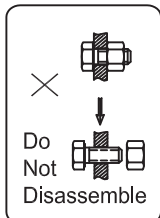
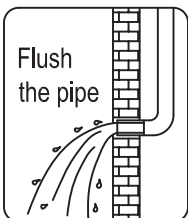
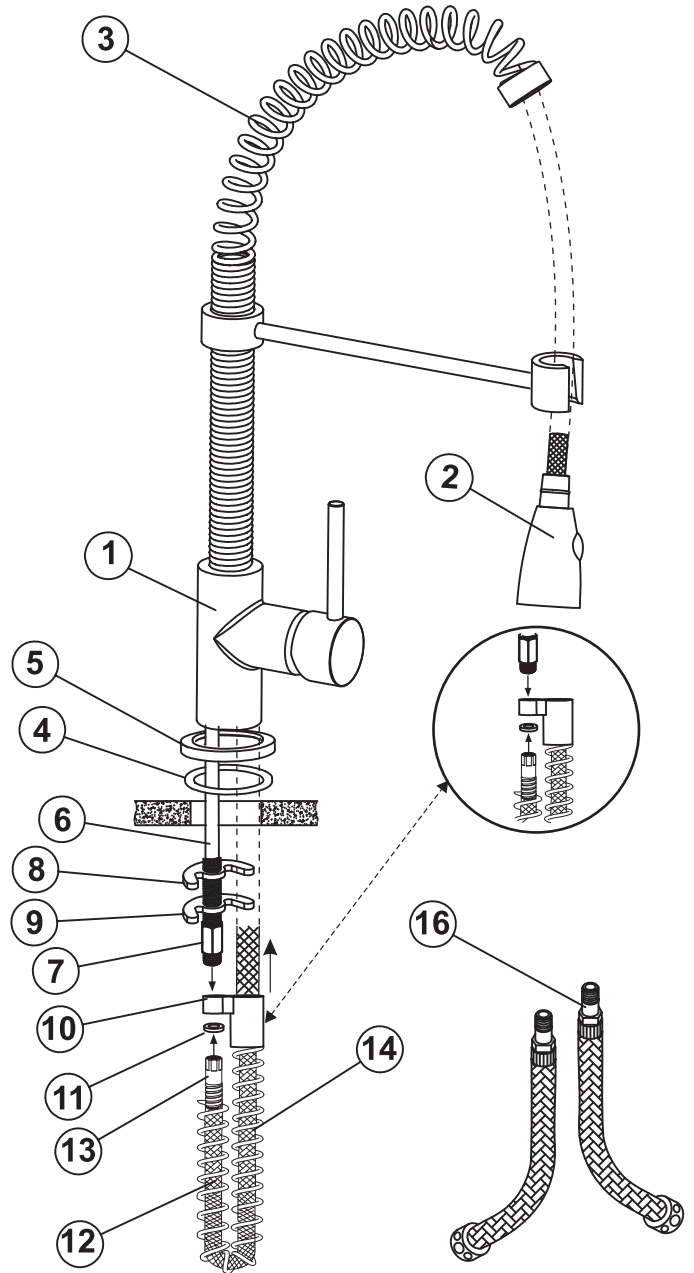
1. Unpack your new product and ensure that all the parts are contained in the packaging.
2. Keep the product in its original box until you are ready to install it.
3. Shut off the water supply if replacing a previously-installed faucet.
4. Observe all plumbing and building codes in your area.
5. It is recommended that installation of the product be done by a professional plumber.

Installation Steps

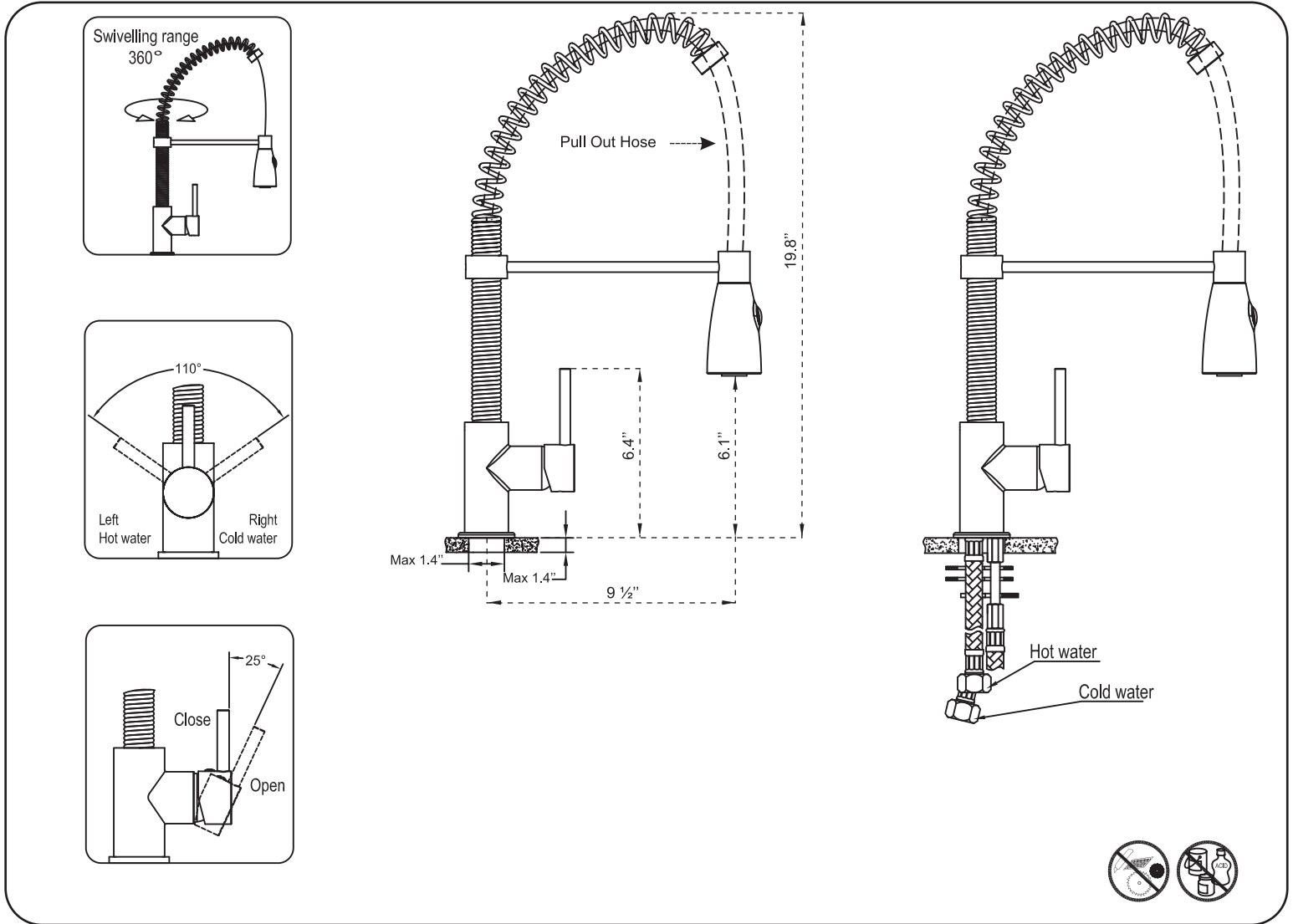
1. Shut off all water supply prior to installation.
2. Remove the metal spring (#14) by disassembling it from the hose.
3. Screw on the aerator head (#2) onto the spout (#3). Make sure that a black rubber washer is attached to the end of the hose prior to attaching the aerator head.
4. Place the black rubber o-ring (#4) into the metal ring (#5).
5. Place the metal ring (#5) onto the faucet body (#1).
6. Unscrew the brass nut (#7) from the brass screw (#6).
7. Place the faucet on the countertop.
8. If the countertop is thin or the faucet is being mounted on the sink itself, place the countertop extender (#15) from underneath the countertop and tighten it onto the brass screw. ****Optional****
9. Place the rubber washer (#8) and then the metal washer (#9) onto the brass screw from underneath the countertop.
10. Tighten the brass nut (#7) onto the brass screw (#6).
11. Place the plastic enclosure (#10) onto the hose and situate the smaller opening onto the brass screw (#6).
12. Place the spring (#14) onto the hose.
13. Place the red hard washer (#11) into the hose inlet (#13) and screw the hose (#12) (with the spring already attached) onto the brass screw (#6).
14. Screw in the hot and cold waterlines (#16) and attach them to the water supply.

Specification Parts List

Code	Parts List	Quantity
1	Faucet Body	1
2	Aerator Head	1
3	Spout	1
4	Rubber O-Ring	1
5	Metal Ring	1
6	Brass Screw	1
7	Brass Nut	1
8	Rubber Washer	1
9	Metal Washer	1
10	Plastic Enclosure	1
11	Red Hard Washer	1
12	Hose	1
13	Hose Inlet	1
14	Spring	1
15	Faucet Extender (optional)	1
16	Hot & Cold Water Lines	2



Installation Instructions



Care & Maintenance

In order to maintain your faucets original finish simply rinse with warm clean water and blot dry with a clean soft cloth only.

Avoid using corrosive detergents, polishers, scrapers or any other abrasive materials. In case a buildup of dirt or mineral deposits should occur, gently remove it using a mild detergent or a mixture of vinegar with water to soften the build up and clear it away. Rinse thoroughly and immediately with water to assure no detergent remains on the surface and dry with a soft cloth.

At Kraus your satisfaction with quality and durability of our products is extremely important to us. Therefore, we hope for you to keep our recommendation as a reminder, in order to prolong the lifespan of your faucet.



Dear Valued Customer,

Kraus would like to take this opportunity to thank you for purchasing Kraus products. It is our sincere hope that you are completely satisfied with your new purchase. We welcome any questions or comments you may have, and look forward to assisting you in the future.

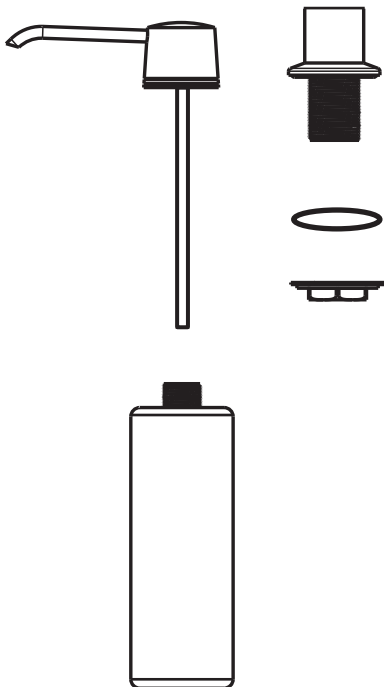
Sincerely,
Kraus customer service department.



Soap Dispenser

Before Your Installation

Check to make sure you have the following parts indicated below:



MODEL
SD-30-CH
SD-30-SN
SD-30-ORB

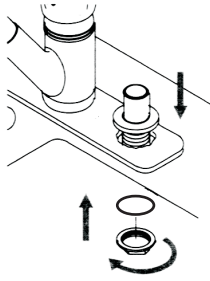
Tools You Will Need



Adjustable wrench

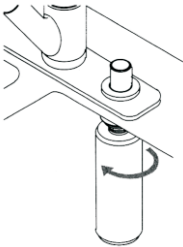
Soap Dispenser Installation Procedure

1



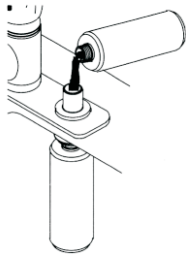
Attach nut and washer to container threads. Insert container through hole below sink. Position concealment flange and secure with dispenser base.

2



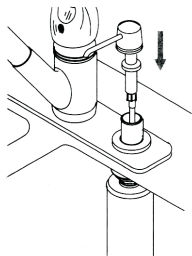
Tighten nut.

3

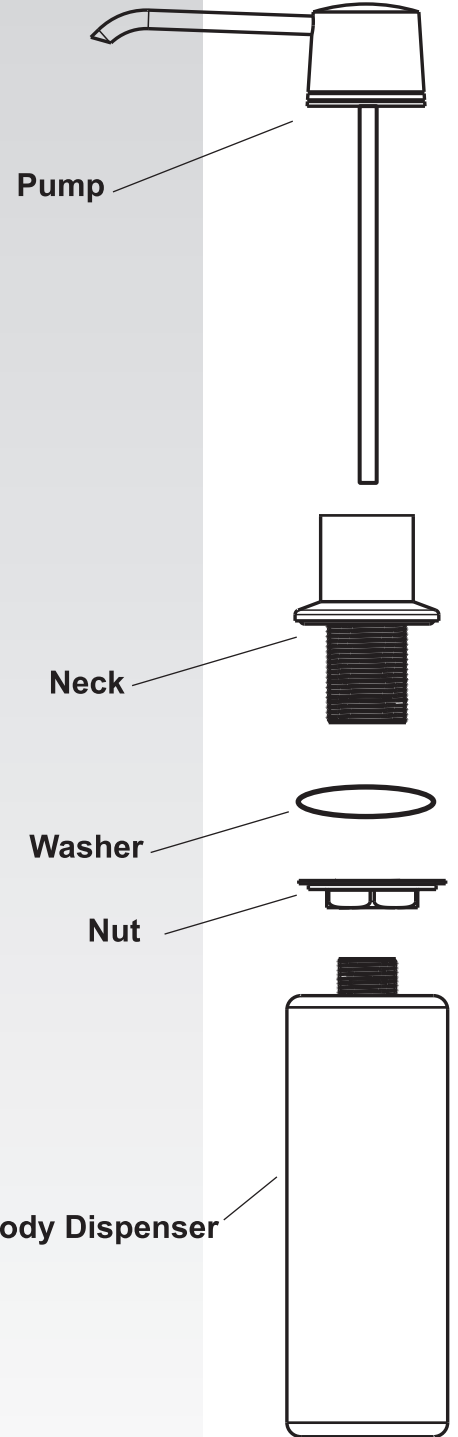


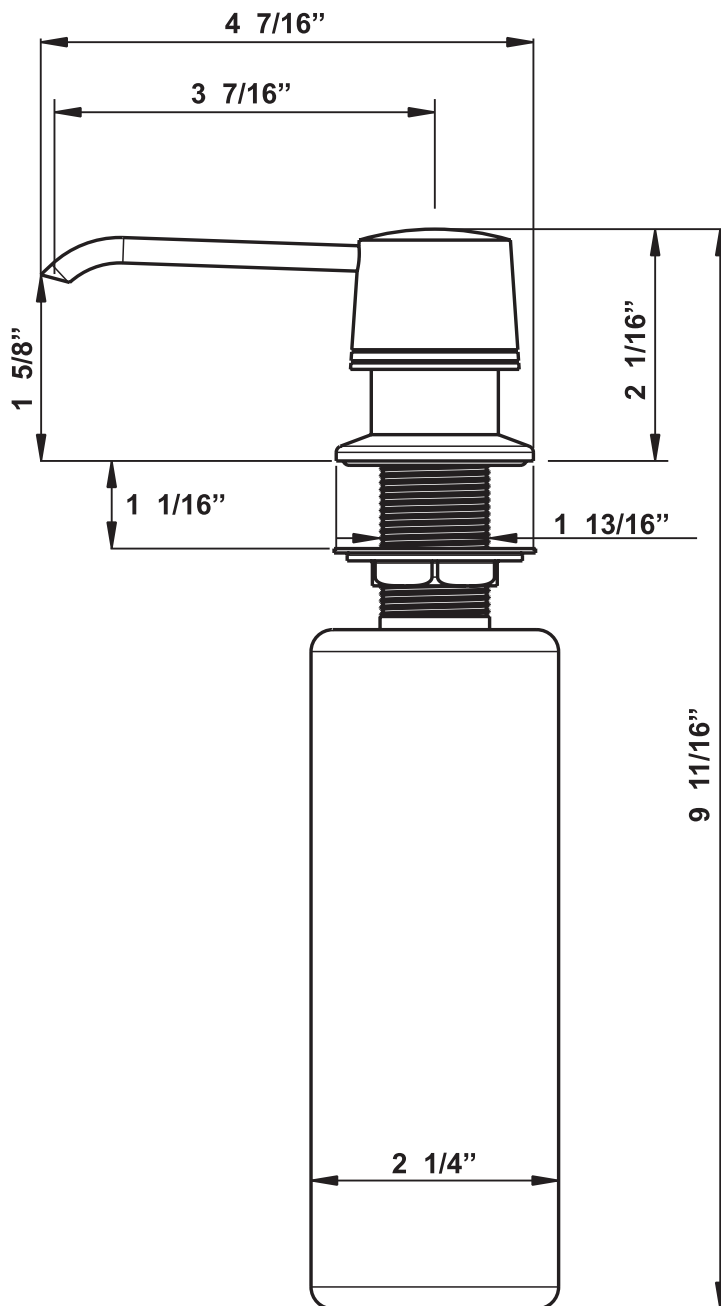
Fill container with approximately 8-10oz. of soap or lotion.

4



Insert pump.





About Kraus

Kraus is a leading designer and manufacturer of a broad selection of unique bathroom fixtures and accessories, including vessel sinks, faucets, showers, vanities and bathroom accessories. Kraus incorporates its distinguished style with superior functionality and affordability, maintaining the highest standards of quality in its vast product line.

The Kraus brand name represents a fusion of leading-edge technology and an eye toward design. Our design team continuously explores broader markets, seeking new trends while maintaining superior quality at unprecedented prices. The Kraus collection has the widest selection of exquisite styles for any type of décor, from modern residences to countryside homes.

For Kraus, durability and reliability have always been vital components for achieving the highest standards. Every model we offer undergoes rigorous testing and inspection prior to distribution. The key element of our success is our customers' satisfaction. As a result, our products are in high demand with shoppers worldwide.