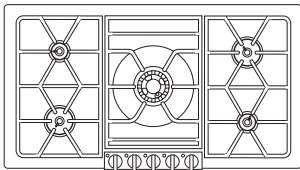


200 Series

Gas cooktop

Width 36" (90 cm)



KG 291-110 CA

Shot-blasted aluminum control panel

Propane gas

KG 291-210 CA

Shot-blasted aluminum control panel

Natural gas

KG 291-120 CA

Brushed stainless steel control panel

Propane gas

KG 291-220 CA

Brushed stainless steel control panel

Natural gas

KG 291-...

– Sturdy stainless steel, solid smooth-surface cast grids and top control panel. Top performance also in the 200 Series.

– 58,000 BTU on five burners including wok burner. Professional cooking for large numbers of guests.

– Convenient operation with automatic quick ignition. Simply move the switch to the required position and release like on an electric cooktop.

All-gas cooktop for natural or bottled gas.

Brushed stainless steel cooktop with shot-blasted edge.

Integrated control panel with cooking zone and power marking.

Five brass gas burners:

Two two-ring super-high output burners (150–4000 W) 500–13,600 BTU, suitable for pots up to max. Ø 11".

Two two-ring standard burners (150–2000 W) 500–6,800 BTU, suitable for pots up to max. Ø 9 1/2".

One three-ring super-high output burner (300–5000 W) 1,000–17,000 BTU, suitable for pots up to max. Ø 12 5/8".

High useful benefit due to ideal burner configuration, electronics and a broad output spectrum.

Automatic quick ignition.

Electronic flame recognition (ionization principle) with automatic re-ignition.

Three-part pan support with flat, continuous pot surface.

Operation control indicator lights.

Gas valve with fine control.

Optional accessories:

WP 400-001 Wok pan made of

multiple-layered material, with round bottom and handle, Ø 14 3/16". 5.3 quarts., height 3 15/16".

Rating:

Total rating: 58,000 BTU

Total Amps: 1

120V / 60Hz

Planning notes:

Installation in a 36" (90 cm) base cabinet.

Air admission from above.

No intermediate shelf required.

The gas cooktop is equipped with a 55" connecting cable and a grounded plug.

The appliance must be set up and connected in accordance with the applicable installation specifications.

A ventilator hood must be switched on during operation of the gas cooktop. The rear panel must consist of a non-flammable material.

Wall trims must be heat-resistant.

A minimum clearance of 12" from adjacent heat-sensitive wooden side panels must be observed or thermal insulation must be installed.

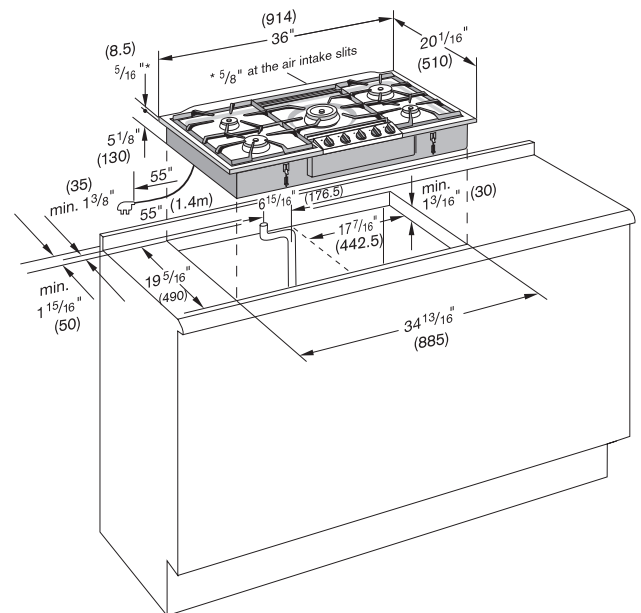
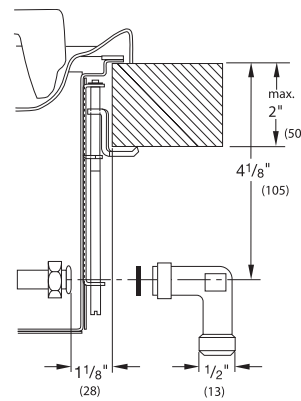
Distance between a ventilation and the gas cooktop should be between 30" and 36".

When installing this cooktop next to another appliance of the Vario Series 200, a minimum clearance of 2" between the single cut-outs should be observed.

Cooktop clamping range: 1 13/16" – 2".

Can be installed above an EB 388 oven with 1/2" minimum distance.

The appliance is not operable without electrical connection.



Numbers indicated inside parenthesis () = mm