

KFNF 9959 iDE

PerfectCool French Door Refrigerator

Features:

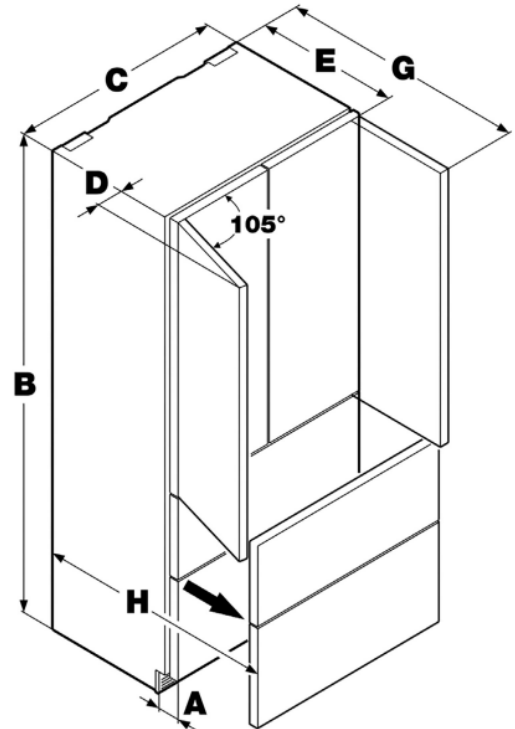
- Built-in Fridge Freezer
- Custom Panel Ready
- Touch Controls
- LED Lighting
- Plumbed IceMaker
- Soft Close Door
- Gallon Door Bin
- Comfort Clean Door Bin
- Double Freezer Drawers
- Energy Star Qualified
- Sabbath Mode



MATERIAL

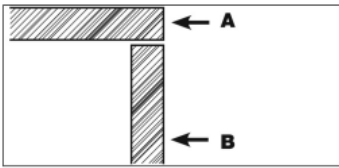
12153770

SPECIFICATIONS	
Overall Unit Dimensions	35 ¹³ / ₁₆ " (910 mm) W x 79 ¹³ / ₁₆ " (2,027 mm) H x 24" (610 mm) D
Niche	
Minimum Cabinet Niche Opening	36" (915 mm) W x 80" (2,032 mm) H x 24" (610 mm) D
Interior Volume	
Fresh Food Volume	12.9 cu-ft (365 L)
Freezer Volume	6.0 cu-ft (170 L)
Electrical	
Electrical Requirements	110V / 120V, 60Hz, 15 Amps (single) 110V / 120V, 60Hz, 20 Amps (merged)
Power Cord	NEMA 5-15 plug, 7' 10 ¹ / ₂ " (2.4m)
Shipping	
Shipping Weight	383.5 lbs (174 kg)
Shipping Dimensions	38 ¹ / ₁₆ " W x 83 ⁵ / ₈ " H x 29 ¹ / ₈ " D

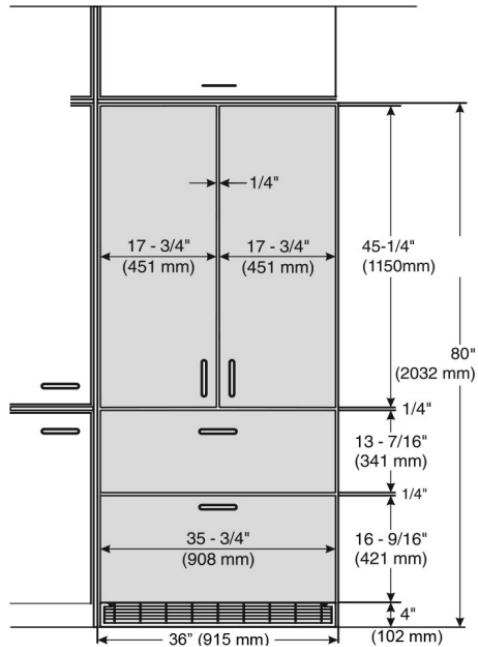


A = 3" (76 mm)
 B = 79-13/16" (2027 mm)
 C = 35-13/16" (910 mm)
 D = 3" (76 mm)
 E = 24" (610 mm)
 G = 42-7/16" (1078 mm)
 H = 37-1/8" (943 mm)

Inset Installation Panel Dimensions

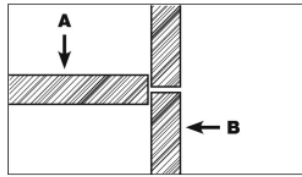


Side view, A: Built-in cabinet, B: cabinet door

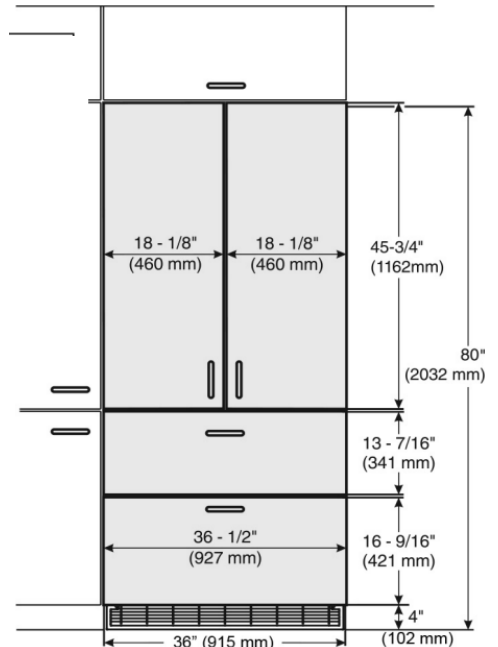


Thickness of the cabinet door	Opening angle of the appliance doors
5/8" (16 mm)	No limitation required
3/4" (19 mm)	Recommended limitation to 95° *

Frameless Installation Panel Dimensions

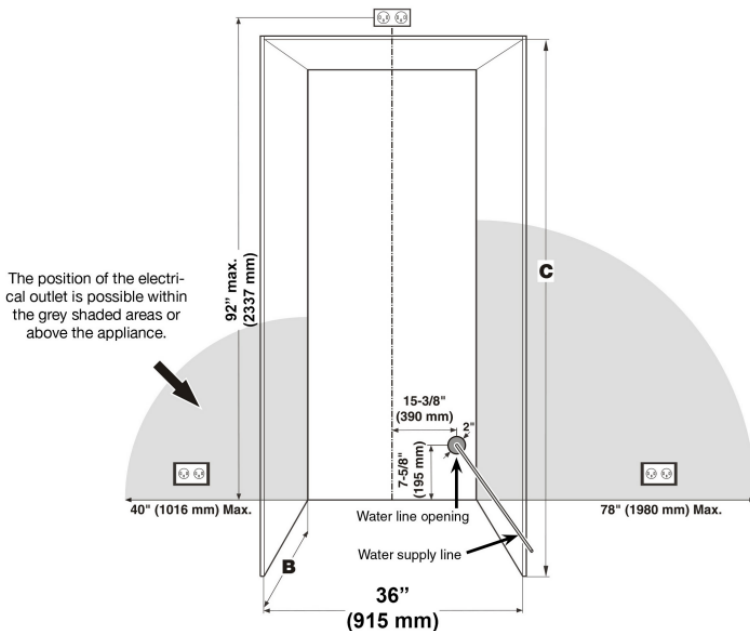


Side view, A: Built-in cabinet, B: cabinet door



Thickness of the cabinet door	Distance all-round to adjacent furniture	Opening angle of appliance doors
5/8" (16 mm)	less than 1/4" (6 mm)	Recommended limitation to 95° *
3/4" (19 mm)	less than 3/8" (10 mm)	Recommended limitation to 95° *

Niche Dimensions and Water Supply Connection



Cabinet Height C	Inset cabinet Depth B	Frameless/faceframe cabinet Depth B
80" (2032 mm)	24" (610m) + panel thickness	24" (610 mm)