

Operating and Installation Instructions

Fridge-freezer Combination




To prevent accidents and machine damage, read these instructions **before** installation or use.

Contents

IMPORTANT SAFETY INSTRUCTIONS	5
Caring for the environment	14
How to save energy	15
Guide to the appliance	17
Accessories supplied	20
Optional accessories.....	20
All-purpose microfiber cloth.....	20
Switching on and off	21
Before first use	21
Cleaning and care	21
Operating the appliance	21
Switching the appliance on.....	21
Switching the appliance off.....	22
Turning off for longer periods of time - Vacation mode.....	22
The correct temperature	23
... in the fridge section and in the PerfectFresh zone.....	23
... in the freezer section	23
Temperature display	24
Setting the temperature for the refrigerator and freezer.....	24
Adjusting the temperature in the PerfectFresh zone <i>b</i>	25
Temperature range	26
Using Automatic SuperCool and SuperFreeze	27
SuperCool function	27
SuperFreeze function	28
Selecting additional settings	29
Sabbath mode <i>5</i>	29
Turning on Sabbath mode.....	30
Turning off Sabbath mode.....	30
Safety lock <i>c</i>	31
Activating and deactivating the safety lock.....	31
Changing the brightness of the temperature display <i>h</i>	33
Changing the door seal heater setting <i>H</i>	34
Temperature and door alarm	36
Temperature alarm.....	36
Door alarm.....	37

Storing food in the refrigerator section	38
Various cooling zones	38
Food which is not suitable for storage in the refrigerator section	39
What to be aware of when shopping for food.....	40
Storing food correctly.....	40
Storing food in the PerfectFresh zone	41
Regulating the humidity level in the compartments	41
Using a compartment as a dry compartment	42
Using a compartment as a humid compartment	42
Adjusting the interior fittings (refrigerator section)	44
Adjusting the door shelf / bottle shelf	44
Moving the shelves.....	44
Removing the glass plate above the PerfectFresh Pro zone.....	44
PerfectFresh zone compartments	45
Adjusting the interior fittings (freezer section)	46
Freezer drawers	46
Moving the dividing grille in the lower freezer drawer	46
Removing the freezer drawer containers.....	47
Freezing and storing food	48
Maximum freezing capacity	48
What happens when you freeze fresh food?.....	48
Storing frozen food.....	48
Home freezing	49
Before placing food in the freezer	50
Placing food in the freezer.....	50
Defrosting	50
Cooling drinks quickly	51
Making ice cubes	52
Turning on the ice cube maker	52
Turning off the ice cube maker	53
If the ice cube maker is going to be switched off for a long period of time	53
Changing the size of the ice cubes <i>E</i>	53
Automatic defrosting	55
Cleaning and care	56
Cleaning agents.....	56
Preparing the appliance for cleaning.....	57
Interior and accessories	57
Cleaning the door seal	58

Contents

Cleaning the ventilation grilles.....	58
Changing the air filter 	58
After cleaning	60
Frequently asked questions	61
Causes of noises	72
Technical Service	73
Plumbing	74
Information on the fresh water connection	74
Connecting the water supply	75
Electrical connection	78
Installation information	80
Installation and appliance dimensions	83
Installation dimensions.....	83
Appliance dimensions	84
Opening angle of the appliance doors	85
Limiting the opening angle of the doors.....	87
Repositioning electrical cabling and the pipework for the fresh water supply.....	88
Electrical connection	88
Plumbing	89
Dimensions and weight of cabinet doors.....	90
Flush installation.....	90
Frameless installation	91
Building in the appliance	92
Before installing the appliance	92
Load-bearing capacity of the niche floor	93
Checking the installation space	93
Preparing the niche	93
Fitting the anti-tip device.....	93
Fitting the anti-tip device in a building-in niche deeper than 24" (610 mm)	95
Pushing the appliance into the niche	96
Aligning the appliance	97
Aligning the freezer drawer fronts.....	97
Securing the appliance in the niche	98
Remove the fixing bracket.....	98
Securing the cabinet fronts to the freezer drawers	100
Securing the cabinet door to the refrigerator door.....	100
Fitting the air filter and ventilation grille.....	103

IMPORTANT SAFETY INSTRUCTIONS

This appliance complies with all statutory safety requirements. Please note that inappropriate use can lead to personal injury and damage to property.

To avoid the risk of accidents and damage to the appliance, please read these instructions carefully before using it for the first time. They contain important notes on installation, safety, use and maintenance.

Miele cannot be held liable for non-compliance with these instructions.

Keep these instructions in a safe place and ensure that new users are familiar with the contents. Pass them on to any future owner.

Danger of injury!

This appliance is very heavy and can tip forwards when the doors are open.

Keep the appliance doors shut until the appliance has been built in and secured in its housing in accordance with these operating and installation instructions.

Use

- ▶ This appliance is intended for use in the home and in similar environments, for example
 - in shops, offices and similar work settings
 - on agricultural estates
 - by the guests in hotels, motels, bed & breakfasts and other typical home settings.

This appliance is not intended for outdoor use.

IMPORTANT SAFETY INSTRUCTIONS

▶ This appliance is intended for domestic use only for cooling and storing food and drink as well as for storing deep frozen food, freezing fresh food and for making ice.

Any other usage is not supported by the manufacturer and could be dangerous.

▶ This appliance is not suitable for storing and keeping cool medicines, blood plasma, laboratory preparations or other such materials or products. Incorrect use of the appliance for such purposes can cause deterioration of the items stored. The appliance is not suitable for use in areas where there is a risk of explosion.

Miele cannot be held liable for damage resulting from improper or incorrect use of the appliance.

▶ People who lack physical, sensory or mental abilities, or experience with the appliance should not use it without supervision or have been instructed how to use it in a safe way and recognize and understand the consequences of incorrect operation.

Children

▶ To reduce the risk of injury, do not allow children to play in, on or near the appliance.

▶ The door hinges can cause injury. Keep children well away at all times.

▶ Ensure that any packing material is disposed of safely and kept out of the reach of children. Danger of suffocation!

Technical safety

▶ The refrigerant system is tested for leaks. This appliance complies with statutory safety requirements.

IMPORTANT SAFETY INSTRUCTIONS

▶ This appliance contains the refrigerant Isobutane (R600a), a natural gas which is environmentally friendly. Although it is combustible, it does not damage the ozone layer and does not increase the greenhouse effect.

The use of this refrigerant has, however, led to a slight increase in the noise level of the appliance. In addition to the noise of the compressor, you might be able to hear the refrigerant flowing around the system. This is unavoidable, and does not have any adverse effect on the performance of the appliance.

Care must be taken during the transportation and setting up of the appliance that no parts of the cooling system are damaged. Leaking refrigerant can cause severe irritation to the eyes.

In the event of any damage:

- avoid open flames and anything that creates a spark,
- disconnect the appliance from the electrical power supply,
- ventilate the room where the appliance is located for several minutes, and
- contact Miele Technical Service.

▶ The more coolant there is in an appliance, the larger the room it should be installed in. In the event of a leakage, if the appliance is in a small room, there is the danger of combustible gases building up. For every 11 g of coolant at least 1 m³ of room space is required. The amount of coolant in the appliance is stated on the data plate inside the appliance.

▶ To avoid the risk of damage to the appliance, make sure that the connection data (fuse rating, frequency and voltage) on the data plate corresponds to the household supply. Check that this is the case before connecting the appliance. Consult a qualified electrician if in any doubt.

▶ The electrical safety of the appliance can only be guaranteed when correctly earthed. It is essential that this standard safety requirement is met. If in any doubt please have the electrical installation tested by a qualified electrician.

IMPORTANT SAFETY INSTRUCTIONS

- ▶ Reliable and safe operation of this appliance can only be assured if it has been connected to the mains electricity supply.
- ▶ If the power cord is damaged, it must be replaced by a Miele authorized technician in order to protect the user from harm.
- ▶ Do not connect the appliance to the electrical supply with a power bar or extension cord. These are a fire hazard and do not guarantee the required safety of the appliance.
- ▶ Do not use the appliance in areas where there may be moisture or splashing water (e.g., garages, laundry rooms, etc.). Moisture can reach the electrical components and cause a short circuit.
- ▶ This appliance must not be installed and operated in mobile installations (e.g. on a ship).
- ▶ Do not use a damaged appliance. It could be dangerous. Check the appliance for visible signs of damage.
- ▶ For safety reasons, this appliance may only be used after it has been built in.
- ▶ The appliance must be disconnected from the electrical supply during installation, maintenance and repair work, and installation work on the water connection. The appliance is only completely isolated from the electrical supply when:
 - the circuit breaker has been tripped, or
 - the power cord has been unplugged. Pull on the plug and not on the cord when removing it from the outlet.
- ▶ Installation, repair and maintenance work should be performed by a Miele authorized service technician in accordance with national and local safety codes and the provided installation instructions. Contact Miele's Technical Service Department for examination, repair or adjustment.
- ▶ The manufacturer's warranty will be invalidated if the appliance is not repaired by a Miele approved service technician.

IMPORTANT SAFETY INSTRUCTIONS

- ▶ Defective components should only be replaced by Miele original parts. Only with these parts can the manufacturer guarantee the safety of the appliance.
- ▶ Miele cannot be held liable for damage caused by a faulty connection to the fresh water supply.
- ▶ The ice cube maker is not intended to be used with a hot water supply line.
- ▶ **Danger of injury!** Never tamper with the movable components on the ice cube maker or the element on the ice cube maker.

Proper use

- ▶ The appliance is designed for use within a certain climate range (ambient temperatures), and should not be used outside this range. The climate range for your appliance is stated on the data plate inside the appliance. Installing it in a room with too low an ambient temperature, e.g. a garage, will lead to the appliance switching off for longer periods so that it cannot maintain the required temperature.
- ▶ **WARNING!** Danger of overheating! Do not cover or block the air vents. This can impair the efficiency of the appliance, increase the power consumption and cause damage to the appliance.
- ▶ If storing food which contains a lot of fat or oil in the appliance, make sure that it does not come into contact with plastic components as this could cause stress cracks or break the plastic.
- ▶ Do not store explosive materials in the appliance or any products containing propellants (e.g. spray cans). Electrical components could cause flammable vapors to ignite.
Danger of fire and explosion.
- ▶ Do not operate any electrical equipment (e.g. an electric ice cream maker) inside the appliance.
Danger of sparking and explosion.

IMPORTANT SAFETY INSTRUCTIONS

- ▶ Do not store cans or bottles containing carbonated drinks or liquids which could freeze in the freezer. The cans or bottles could explode.
Danger of injury and damage to the appliance.
- ▶ When cooling drinks quickly in the freezer, make sure bottles are not left in for more than one hour; otherwise they could burst, causing injury or damage.
- ▶ Never handle frozen food or the metal parts of the appliance with wet hands. Your hands may freeze to the frozen food or to the metal.
Danger of frost burn!
- ▶ Do not take ice cubes out with your bare hands and never place ice cubes or popsicles in your mouth straight from the freezer section. The very low temperature of the frozen ice or popsicles can cause frost burn to the lips and tongue. Danger of injury.
- ▶ Do not refreeze partially or fully defrosted food. Consume defrosted food as soon as possible, as it will lose its nutritional value and spoil if left for too long. Defrosted food may only be refrozen after it has been cooked.
- ▶ When eating stored food, there is a danger of food poisoning. Storage times will depend on several factors, including the freshness and quality of the food, as well as the temperature at which it is stored. Observe the manufacturer's "use-by" dates and storage instructions.
- ▶ Use only genuine original Miele parts. If parts or accessories from other manufacturers are used, the warranty may become invalid.

IMPORTANT SAFETY INSTRUCTIONS

Cleaning and care

- ▶ Do not use any oil or grease on the door seals. They can cause the seals to deteriorate over time.
- ▶ Never use a steam cleaner to clean the appliance. The steam can reach the electrical components and cause a short circuit.
- ▶ Sharp edged or pointed objects will damage the evaporator, causing irreversible damage to the appliance. Do not use sharp edged or pointed objects to
 - remove frost or ice,
 - separate frozen foods or remove ice trays.
- ▶ Never place electric heaters or candles in the appliance to defrost it. These can damage the plastic parts.
- ▶ Do not use defrosting sprays or de-icers, as they could contain substances which could damage the plastic parts or which might cause the build-up of gases and pose a danger to health.

California Proposition 65



WARNING

This product can expose you to chemicals including vinyl chloride, which is known to the State of California to cause cancer and birth defects or other reproductive harm.

For more information go to www.P65Warnings.ca.gov.

IMPORTANT SAFETY INSTRUCTIONS

Transport

- ▶ To avoid damage to the appliance, always transport it upright and in its packaging.
- ▶ Danger of injury and damage. The appliance is very heavy and must be transported by two people.

IMPORTANT SAFETY INSTRUCTIONS

Disposal of your old appliance

▶ Before disposing of an old appliance, first make the door latches or locks unusable.

This way you will prevent children from accidentally locking themselves in and endangering their lives.

▶ Children could become trapped in the appliance and could suffocate.

- Remove the appliance doors.
- Remove the drawers.
- Leave the shelves in the appliance so children cannot climb inside.

▶ Danger of electric shock!

- Cut the plug off the power cord.
- Cut the power cord off the old appliance.

Dispose of them separately from the appliance.

▶ Ensure that the appliance is not stored in the vicinity of gasoline or inflammable gases and liquids during and after disposal.

▶ Make sure that the coolant pipework is not damaged during disposal to avoid uncontrolled leakage of oil and coolant (see data plate for coolant type).

IMPORTANT SAFETY INSTRUCTIONS

- ▶ Splashes of coolant can cause damage to the eyes. Be careful not to damage any part of the pipework while awaiting disposal, e.g. by
- puncturing the coolant channels in the evaporator,
 - kinking any pipework,
 - scratching the surface coating.

Symbol on the compressor (depending on model)

This information is only relevant for recycling. In normal operation there is no risk.



- ▶ The oil in the compressor can be fatal if swallowed or if it penetrates the airways.

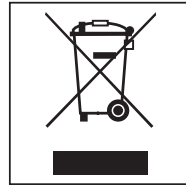
Disposal of packaging material

The packaging is designed to protect the appliance from damage during transportation. The packaging materials used are selected from materials which are environmentally friendly for disposal and should be recycled.

Ensure that any plastic wrappings, bags, etc. are disposed of safely and kept out of the reach of children. Return the packaging to your dealer.

Disposal of your old appliance

Electrical and electronic appliances contain valuable materials. They also contain certain substances, compounds and components which were essential for the proper functioning and safe use of the equipment. Handling these materials improperly by disposing of them in your household waste can be harmful to your health and the environment. Therefore, please do not dispose of your old appliance with regular household waste and follow local regulations on proper disposal.



Consult with local authorities, dealers or Miele in order to dispose of and recycle electrical and electronic appliances. Miele assumes no responsibility for deleting any personal data left on the appliance being disposed.

Take care not to damage the pipework at the back of your appliance before or during transportation to an authorized, environmentally friendly collection depot.

This way, coolant in the pipework and oil in the compressor will be contained, and will not leak into the environment.

Please ensure that your old appliance does not pose a danger to children while being stored prior to disposal. See "IMPORTANT SAFETY INSTRUCTIONS" for more information.

How to save energy

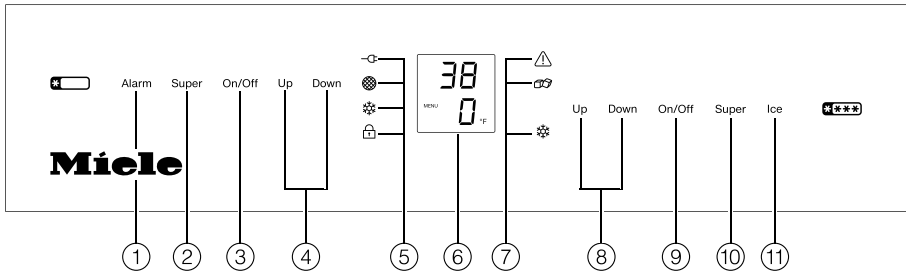
	Normal energy consumption	Increased energy consumption
Installation / Maintenance	In a well-ventilated room.	In an enclosed, poorly ventilated room.
	Protected from direct sunlight.	In direct sunlight.
	Away from heat sources (radiator, range/oven).	Near a heat source (radiator, oven).
	Where the ideal room temperature is approx. 68 °F (20 °C).	Where the ambient room temperature is above 77 °F (25 °C).
	Air vents uncovered and dusted regularly.	Where the ventilation openings are blocked and full of dust.
Temperature setting	39°F to 41°F (4°C to 5°C) in the refrigerator section	The lower the temperature in the appliance, the higher the energy consumption.
	PerfectFresh zone 32 °F (0 °C)	
	0°F (-18°C) in the freezer section	

How to save energy

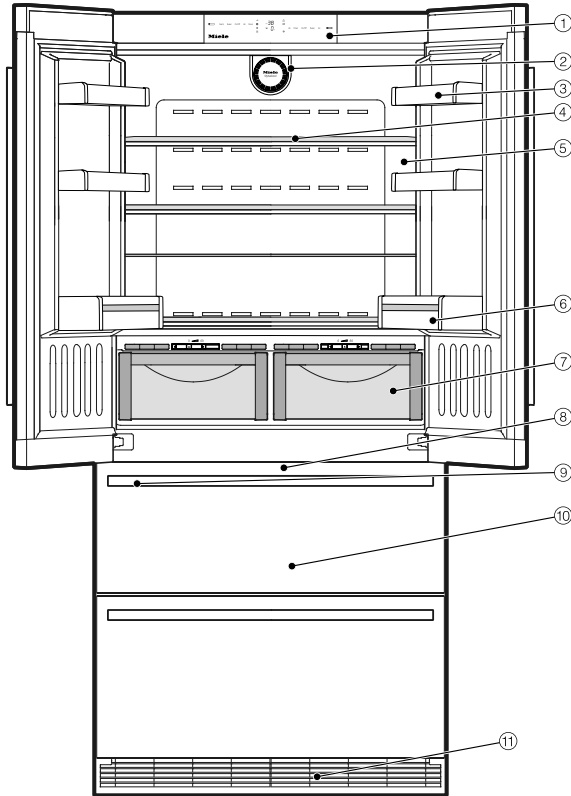
	Normal energy consumption	Increased energy consumption
Use	The drawers and shelves are in the original arrangement.	
	Only open the door when necessary and for as short a time as possible. Store food in an organized way.	Frequent opening of the door for long periods will cause a loss of coldness. The appliance will cool down and the compressor will run for longer periods.
	Take an insulated cool bag when shopping and load food in the appliance as soon as possible. Replace any food removed as quickly as possible, before it begins to thaw. Allow hot food and drinks to cool down before placing them in the appliance.	Hot food or food at room temperature raises the temperature inside the appliance. The appliance will cool down and the compressor will run for longer periods.
	Store food covered or wrapped.	The evaporation or condensation of liquids will cause a loss of coldness.
	Place frozen food in the refrigerator to defrost.	
	Do not overfill the appliance in order to allow the air to circulate.	Poor air circulation will cause a loss of coldness.

Guide to the appliance

Control panel



- ① For turning off the door or temperature alarm in the freezer section
- ② For turning the SuperCool function on and off
- ③ For turning the refrigerator section on and off
- ④ Sensor for setting the temperature in the refrigerator section (Up for colder; Down for warmer)
- ⑤ Check/fault indicators
 - Power failure -☒
 - Air filter needs cleaning 🌀
 - SuperCool is turned on ❄️
 - The safety lock has been activated 🔒
- ⑥ Display with temperature indicators (top for the refrigerator section; bottom for the freezer section) and symbols (only visible when Settings mode MENU is active (see "Selecting additional settings"))
- ⑦ Check/fault indicators
 - Temperature alarm in the freezer section ⚠️
 - Ice cube maker is turned on 🧊
 - The SuperFreeze function is turned on ❄️
- ⑧ Sensor for selecting the temperature in the freezer section (Up for colder; Down for warmer)
- ⑨ For turning the refrigerator section on and off
- ⑩ For turning the SuperFreeze function on and off
- ⑪ For turning the ice cube maker on and off



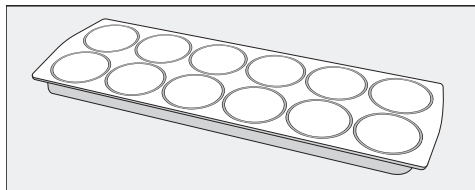
This drawing is for illustration purposes only.

- ① Control panel
- ② Fan (DynaCool)
- ③ Egg tray / Door shelf
- ④ Shelf
- ⑤ Refrigerator section interior lighting
- ⑥ Bottle shelf
- ⑦ PerfectFresh zone with adjustable side controls and Info system
- ⑧ Freezer section interior lighting
- ⑨ Automatic icemaker behind drawer
- ⑩ Freezer drawers
- ⑪ Ventilation grille with air filter located behind it and water connection

Guide to the appliance

Accessories supplied

Egg tray



Air filter

The air filter behind the ventilation grille protects the cooling system from dust.

Ice cube scoop

The ice cube scoop can be used for conveniently removing the ice cubes from the ice cube container.

Door opening angle limiter

The limiting pins supplied can be used to limit the opening angle of the appliance doors. This is advisable if for example the appliance doors collide with an adjacent wall.

Optional accessories

A range of useful Miele accessories and care products are available for your appliance.

All-purpose microfiber cloth

The microfiber cloth helps remove fingerprints and light soiling on surfaces made of stainless steel, appliance covers, windows, furniture, car windows, etc.

Accessories are available to order via the Miele Webstore, from Miele directly (see back cover for contact details) or from your Miele dealer.

Before first use

Packaging material

- Remove all packaging material from the inside of the appliance.

Cleaning and care

Please refer to the relevant instructions in "Cleaning and care".

- Clean the inside of the appliance and the accessories.

Allow the appliance to stand for approx. 1 hour prior to connecting it to the power supply. This will help prevent any malfunctions.

Operating the appliance

A light touch of the finger on the sensors is all that is required to operate this appliance.

Switching the appliance on

The refrigerator and freezer sections are separately controlled and can be turned on and off so that only one section is in use if necessary. This is useful, e.g. while on vacation if you only want the freezer section to remain on.




- Touch the sensor to switch the refrigerator or freezer section on or off, so that the relevant temperature appears in the display.

The appliance will start cooling.

The interior lighting will come on when the refrigerator section door or a freezer drawer is opened.

The temperature in the refrigerator section is shown in the top of the display and the temperature in the freezer section is shown in the bottom of the display.

If the temperature in the freezer section is not within the normal temperature display range (below 32 °F / 0 °C), dashes will flash in the display.


The alarm symbol  will also flash in the control panel until the selected temperature has been reached.

To enable the temperature to get sufficiently cold inside the appliance, allow the appliance to run for a few hours before placing food in it. Do not place food in the freezer until the temperature is at least 0 °F (-18 °C).

Switching on and off


Switching the appliance off



- To switch the refrigerator or freezer section on or off touch the sensor until the relevant temperature display goes out in the display. If this cannot be done, the safety lock is activated. The  symbol will appear in the control panel.


The interior lighting goes out and cooling is turned off.

Turning off for longer periods of time - Vacation mode

 If, during a long absence, the appliance is switched off but not cleaned and the door(s) left shut, there is a danger of bacteria building up inside the appliance. It is essential to clean the appliance.


If the appliance is not going to be used for a longer period of time, e.g. whilst on vacation:

- close the water shut-off valve.

If the indicator light for the ice cube maker  begins to flash, this means that there is still water remaining in the ice cube maker.

- Leave the ice cube maker turned on for another day so that the remaining ice cubes can be produced.



- When all remaining ice cubes have been produced, touch the On/Off sensor for the ice cube maker so that the indicator light for the ice cube maker  goes out in the right-hand side of the display.

If you are going to be away for longer than a month, please also:

- remove and dispose of the remaining ice cubes from the ice cube container,
- take any food out of the appliance and store it in a cool place,
- switch the appliance off,
- unplug the power cord or trip the circuit breaker,
- clean the appliance (see "Cleaning and care"),
- leave the door(s) ajar to air the appliance and avoid odors building up inside the appliance.

The correct temperature

It is very important to set the correct temperature for storing food in the appliance. Bacteria will cause food which is not stored at the correct temperature to deteriorate rapidly.

The temperature in the appliance will rise:

- if you open the door frequently or keep it open too long,
- the more food that is stored in it
- if you put food in it that is too warm,
- the higher the ambient temperature surrounding the appliance. The appliance is designed for use within specific ambient temperatures (climate range). Do not use in ambient temperatures for which it is not designed.

. . . in the fridge section and in the PerfectFresh zone

We recommend a temperature of **39 °F (4 °C)** in the refrigerator section.

The temperature in the PerfectFresh zone is controlled automatically, and is maintained at **32 °F to 37 °F (0 °C to 3 °C)**.

Automatic cold air circulation (DynamicCooling)

The fan automatically turns on when the cooling system for the refrigerator section turns on. It distributes the temperature in the appliance to all areas more evenly so that all the food will be chilled to about the same degree.

. . . in the freezer section

To freeze fresh food and to store frozen food for a long time, a temperature of **0°F (-18°C)** is required. Partially defrosted or fully defrosted food must not be re-frozen. Food may be re-frozen once it has been cooked.


The correct temperature

Temperature display

In normal operation the display shows the **current average refrigerator temperature** and the current temperature **in the warmest part of the freezer**.

If the temperature in the freezer section is not within the normal temperature display range, dashes will flash in the display.

Depending on the ambient temperature and the temperature setting, it can take the appliance a few hours to reach the temperature required and for this temperature to then be shown as a constant temperature in the display.

 if the temperature in the freezer remains above 0 °F (-18 °C) for a long time, check that the frozen food has not started to defrost.

If it has, check that the food is safe to use and if it is, then use it as soon as possible or cook it before freezing it again.

Setting the temperature for the refrigerator and freezer

The temperatures for the refrigerator and the freezer are set separately using the buttons for the respective section.



- Set the desired temperatures using each of the buttons.

Tap

- Up to increase the temperature,
- Down to decrease the temperature.

The temperature display flashes while you set the new temperature.

When you tap the buttons, you will see the following changes in the display:

- When first tapped: The **last temperature selected** flashes.
- Every new tap: The temperature value changes in increments of 1 degree.
- Holding down the button will change the temperature value continuously.

Approximately 5 seconds after you release the button, the actual temperature in the appliance will be displayed.

If you have changed the temperature and the appliance is not very full, wait approx. 6 hours, if it is full, approx. 24 hours before checking the temperature display again. It will take that long to reach the selected temperature.

The correct temperature

If, after this amount of time, the temperature is too high or too low, you will need to adjust it again.


Adjusting the temperature in the PerfectFresh zone *b*

In the PerfectFresh zone the temperature is maintained between 32 °F (0 °C) and 37 °F (3 °C). However, if you would like it to be warmer or colder, e.g. when storing fish, you can adjust the temperature slightly.

The preset temperature in the PerfectFresh zone is 5. If a setting of between 1 and 4 is selected, minus temperatures may be reached, resulting in food freezing. Select a higher level.



- Touch the On/Off sensor for the SuperFreeze function for approx. 5 seconds.

The indicator light  in the right-hand side of the display will light up at this time and after approx. 5 seconds *S* will flash in the bottom (freezer section) temperature display. MENU will light up in the display. You are now in Settings mode.



- Touch one of the sensors for setting the temperature in the freezer section repeatedly until *b* flashes in the bottom temperature display.



- Touch the Super sensor again.

The last selected setting lights up in the display.



- You can now adjust the temperature from *b* 1 (lowest temperature) to *b* 9 (highest temperature) by touching the sensors for adjusting the temperature in the freezer section.



- Touch the Super sensor again to save the setting.



- Touch the on and off sensor for the freezer section to exit Settings mode.

The newly set temperature for the PerfectFresh zone will gradually be reached.

The correct temperature

Temperature range

The temperature can be selected within the following ranges:

- from 37 °F (3 °C) to 45 °F (7 °C) in the refrigerator section.
- from 7 °F (-14 °C) to -15 °F (-27 °C) in the freezer section.

The ambient temperature in the room and the installation location can affect the time it takes for the appliance to reach the lowest temperature.

If the ambient temperature is too high, the appliance may not reach the lowest temperature.

Using Automatic SuperCool and SuperFreeze

SuperCool function

The SuperCool function can be used to rapidly reduce the temperature in the refrigerator section to its lowest setting (depending on the room temperature).

Turning on SuperCool

SuperCool is particularly recommended for the fast chilling of large amounts of fresh food or drink.



- Touch the sensor for turning the SuperCool function on and off so that the ❄ indicator light in the left-hand side of the display lights up.

The appliance will work at full power to lower the temperature in the appliance.

Turning off SuperCool

The SuperCool function turns off automatically after approx. 6 hours. The appliance will then continue to work at normal power.

To save energy, the SuperCool function can be switched off once food and drinks are sufficiently chilled.



- Touch the sensor for turning the SuperCool function on and off so that the ❄ indicator light in the left-hand side of the display goes out.

The appliance will continue running at normal power.

Using Automatic SuperCool and SuperFreeze

SuperFreeze function

For best results, turn on SuperFreeze before putting fresh food into the freezer.

Fresh food will be frozen quickly, so that the nutritional value, vitamin content, appearance and taste are maintained.

Exceptions:

- if you have already put frozen food into the freezer.
- when freezing up to 2.2 lbs (1 kg) fresh food daily.

Turning on SuperFreeze

When freezing small quantities of food in the freezer, the SuperFreeze function should be turned on **6 hours beforehand**. When freezing the **maximum load of food**, the SuperFreeze function should be turned on **24 hours beforehand**.



- Touch the sensor for turning the SuperFreeze function on and off so that the ❄ indicator light in the right-hand side of the display lights up.

The appliance will work at full power to lower the temperature in the freezer section.

Turning off SuperFreeze

The SuperFreeze function will switch itself off automatically after approx. 30 - 65 hours. The quantity of fresh food placed in the freezer will determine the duration before the SuperFreeze function switches off. The SuperFreeze ❄ symbol will go out and the appliance will run at normal power again.

To save energy, the SuperFreeze function can be turned off once a **constant** temperature of 0 °F (-18 °C) is reached inside the freezer section. Check the temperature inside the appliance.



- Touch the sensor for turning the SuperFreeze function on and off so that the ❄ indicator light in the right-hand side of the display goes.

The appliance now continues running at normal cooling capacity.

Selecting additional settings

Certain settings on the appliance can only be selected in Settings mode.

In Settings mode certain appliance functions can be selected and their settings altered.

Available settings

<i>S</i>	Turning Sabbath mode on and off
<i>c</i>	Activating and deactivating the safety lock
<i>l</i>	Function test for the ice cube maker (for Miele service use only)
<i>E</i>	Changing the size of the ice cubes (see "Making ice cubes")
<i>b</i>	Adjusting the temperature in the PerfectFresh zone (see "The correct temperature")
<i>a</i>	Setting the temperature unit: (Fahrenheit / Celsius)
<i>h</i>	Changing the brightness of the temperature display
<i>H</i>	Changing the door seal heater setting
<i>n</i>	Confirm cleaning of air filter (see "Cleaning and care")

Sabbath mode *S*

The appliance offers a Sabbath mode for the purposes of religious observance.

When Sabbath mode is turned on many functions in the appliance are switched off and can no longer be selected, but the cooling performance of the appliance is not affected in any way.

The following are turned off:


- the interior lighting when the appliance door or freezer drawer is opened,
- temperature and door alarm,
- the temperature display,
- SuperCool and SuperFreeze (if previously selected),
- the ice cube maker (if previously turned on).

The buttons for turning off Sabbath mode can be selected.

The Sabbath mode function will turn itself off automatically after approx. 120 hours.

Ensure that the appliance doors are properly closed, as visual and audible alarms are switched off.

Selecting additional settings

 **Danger of food contamination!**
Any interruption to the power supply during this time will not be shown in the display and the appliance will then restart in Sabbath mode. When this is ended, the power interruption will not be indicated in the display.
If there is an interruption to the power supply during Sabbath mode, check the quality of the food. Do not consume any defrosted food.

Turning on Sabbath mode



- Touch the On/Off sensor for the SuperFreeze function for approx. 5 seconds.

The ❄ indicator light in the right-hand side of the display will light up during this time and S will flash in the bottom (freezer section) temperature display after approx. 5 seconds. MENU will light up in the display. You are now in Settings mode.



- Touch the Super sensor again.
S 7 lights up in the display.



- Touch the Super sensor again to confirm the setting.



- Touch the on and off sensor for the freezer section to exit Settings mode.

The S symbol will appear in the display when Sabbath mode is switched on. The interior lighting and symbols in the control panel also go out.

Turning off Sabbath mode



- Touch the On/Off sensor for the SuperFreeze function for approx. 5 seconds.

The ❄ indicator light in the right-hand side of the display will light up during this time and S will flash in the bottom (freezer section) temperature display after approx. 5 seconds. MENU will light up in the display. You are now in Settings mode.



- Touch the Super sensor again.
S 7 lights up in the display.



- Touch the Super sensor again to confirm the setting.

The S symbol will go out in the display. In interior lighting and the control panel will come on again.

Selecting additional settings



- Touch the on and off sensor for the freezer section to exit Settings mode.

Safety lock ϵ

The lock can be activated to prevent the appliance being switched off by mistake.

Activating and deactivating the safety lock



- Touch the On/Off sensor for the SuperFreeze function for approx. 5 seconds.

The ❄ indicator light in the right-hand side of the display will light up during this time and S will flash in the bottom (freezer section) temperature display after approx. 5 seconds. MENU will light up in the display. You are now in Settings mode.



- Touch one of the sensors for setting the temperature in the freezer section repeatedly until ϵ flashes in the bottom temperature display.



- Touch the Super sensor again.

Selecting additional settings

The following lights up in the display

– $c \uparrow$:

The safety lock has been activated, or

– $c \downarrow$:

the safety lock has now been deactivated.



- Touch the Super sensor again to save the setting.

The \uparrow symbol will appear in the control panel when the lock is activated.



- Touch the on and off sensor for the freezer section to exit Settings mode.

Changing the temperature unit (Celsius / Fahrenheit) \square

The temperature can be displayed in either Fahrenheit ($^{\circ}\text{F}$) or Celsius ($^{\circ}\text{C}$).

The factory default is Fahrenheit $^{\circ}\text{F}$.



- Touch the On/Off sensor for the SuperFreeze function for approx. 5 seconds.

The indicator light \odot in the right-hand side of the display will light up at this time and after approx. 5 seconds S will flash in the bottom (freezer section) temperature display. MENU will light up in the display. You are now in Settings mode.



- Touch one of the sensors for setting the temperature in the freezer section repeatedly until \square flashes in the bottom temperature display.



- Touch the Super sensor again.

Selecting additional settings

The following lights up in the display:

– $\circ C$:

The temperature will now be displayed in degrees Celsius, or

– $\circ F$:

The temperature will now be displayed in degrees Fahrenheit.



- Touch the Super sensor again to save the setting.

The temperature will now be displayed in degrees Celsius or degrees Fahrenheit.



- Touch the on and off sensor for the freezer section to exit Settings mode.

Changing the brightness of the temperature display h

The temperature display brightness can be adjusted to suit lighting conditions in the room.

The temperature display brightness can be adjusted in stages from $h 0$ (lighting off) to $h 5$ (maximum brightness).



- Touch the On/Off sensor for the SuperFreeze function for approx. 5 seconds.

The indicator light \star in the right-hand side of the display will light up at this time and after approx. 5 seconds S will flash in the bottom (freezer section) temperature display. MENU will light up in the display. You are now in Settings mode.



- Touch one of the sensors for setting the temperature in the freezer section repeatedly until h flashes in the bottom temperature display.



- Touch the Super sensor again.

Selecting additional settings

The last selected setting lights up in the display.



- By touching the sensors for setting the temperature in the freezer section you can alter the brightness of the temperature display between $h \text{ 0}$ and $h \text{ 5}$.
- Touch the Super sensor again to save the setting.



- Touch the on and off sensor for the freezer section to exit Settings mode.

Changing the door seal heater setting H

If condensation builds up on the door seal for the refrigerator section doors, this can be eliminated by selecting the highest door seal heater setting ($H \text{ 7}$).


The factory default is $H \text{ 8}$ (middle setting).

Condensation will not usually form at an average ambient temperature and humidity.

If condensation should form on the door seal at higher air humidity and a lower ambient temperature, set the door seal heater temperature to the highest level.



- Touch the On/Off sensor for the SuperFreeze function for approx. 5 seconds.

The indicator light  in the right-hand side of the display will light up at this time and after approx. 5 seconds S will flash in the bottom (freezer section) temperature display. MENU will light up in the display. You are now in Settings mode.

Selecting additional settings



- Touch one of the sensors for setting the temperature in the freezer section repeatedly until *H* flashes in the bottom temperature display.



- Touch the Super sensor again.

The last selected setting lights up in the display.



- You can alter the heater level by touching the sensors for setting the temperature in the freezer section:
 - *H A*: Middle heater setting (in the event of slight condensation on door seal)
 - *H 1*: Highest heater setting (in the event of heavy condensation on the door seal)
 - *H 0*: Heater is deactivated.



- Touch the Super sensor again to save the setting.




- Touch the on and off sensor for the freezer section to exit Settings mode.

Temperature and door alarm

Your appliance is equipped with a warning system to ensure that temperature increases in the freezer section do not go unnoticed and also prevents energy from being wasted when a door is left open.


Temperature alarm


If the temperature in the freezer section becomes too warm, the bottom temperature display and the alarm symbol  will flash. An alarm will also sound.

The temperature the appliance is set at determines the temperature the appliance recognizes as being too warm.

The audio and visual signals are triggered, for example:

- when the appliance is switched on if the temperature in the appliance differs greatly from the set temperature,
- if a lot of room air enters the freezer when food is being loaded, rearranged or taken out,
- when freezing large amounts of food at once,
- when freezing fresh food which is still warm,
- when there is a loss of power,
- if the appliance has a fault.

The alarm will stop, the temperature display will light up constantly again and the alarm symbol  will go out as soon as the temperature has dropped to the correct level again.

 if the temperature in the freezer remains above 0 °F (-18 °C) for a long time, check that the frozen food has not started to defrost.

If it has, check that the food is safe to use and if it is, then use it as soon as possible or cook it before freezing it again.


Switching the temperature alarm off early

If the acoustic alarm disturbs you, it can be switched off.



- Touch the alarm sensor.

The alarm will stop.

The alarm symbol  and the bottom temperature display will continue to flash until the set temperature has been reached in the freezer section.

Door alarm

The alarm will sound if the door or a freezer drawer is left open for more than 3 minutes.

As soon as the door or drawer is closed, the alarm sound will stop.

Turning the door alarm off early


If the acoustic alarm disturbs you, it can be switched off.




- Touch the alarm sensor.

The alarm will stop.


Storing food in the refrigerator section

 **WARNING! Fire hazard!**

Do not operate any electrical equipment inside the appliance. This can cause sparking.

 **Danger of explosion.**

Do not store explosive materials in the appliance or any products containing propellants (e.g. spray cans).

 If storing food which contains a lot of fat or oil in the appliance or the appliance door, make sure that it does not come into contact with plastic components as this could cause stress cracks or break the plastic.

Make sure that no oil or grease leaks onto the plastic parts of the appliance. This can cause the plastic to crack and break.

Various cooling zones

Due to natural air circulation there are different temperature zones in the refrigerator section.

Cold, heavy air sinks to the lowest section of the appliance. Make use of the different temperature zones when placing food in the appliance.

To allow air to circulate efficiently, do not pack food too closely together in the refrigerator.

If there is insufficient air circulation the cooling performance will decrease and energy consumption will increase.

Do not cover the fan in the rear wall of the refrigerator.

Food must not touch the back of the refrigerator section as it may freeze to the back wall.

This appliance has DynamicCooling, which helps to keep an even temperature when the fan is running. When DynamicCooling is turned on, the difference between the various zones is less pronounced.

Storing food in the refrigerator section

Warmest area

The warmest area in the refrigerator section is in the top section of the door. Use this for storing butter so that it remains spreadable and cheese so that it retains its flavor.

Coldest area

The coldest area in the refrigerator section is directly above the dividing plate of the PerfectFresh zone and against the rear wall. However, inside the PerfectFresh zone is even colder.

Use these areas in the refrigerator section and in the PerfectFresh zone for all delicate and highly perishable food, e.g.:

- fish, meat, poultry,
- cold cuts
- dishes or baked goods containing eggs or cream,
- fresh dough, cake mixtures, pizza or pie dough,

Food which is not suitable for storage in the refrigerator section

Not all food is suitable for refrigeration at temperatures below 41°F (5°C) because it is sensitive to cold. Depending on the type of food, the appearance, consistency, flavor and/or vitamin content may be altered if stored at too cold a temperature.

Food that is sensitive to cold includes:

- pineapple, avocados, bananas, pomegranates, mangos, melons, papaya, passion fruit, citrus fruit (such as lemons, oranges, mandarins, grapefruit),
- fruit that is not yet ripe,
- eggplant, cucumbers, potatoes, peppers, tomatoes, zucchini,
- hard cheeses, e.g. Parmesan.

Storing food in the refrigerator section

What to be aware of when shopping for food

The freshness of food when first placed in the appliance is the most important factor in determining how long it stays fresh, and how long it can be kept in the appliance.

Always observe the use-by date and the recommended storage temperature. Time out of the refrigerator should be kept to a minimum, for example, when transporting food in a hot car.

Tip: Take a cool bag with you when shopping and on return place food into the appliance immediately.

Storing food correctly

Food should generally be stored covered or packaged in the refrigerator section (there are some exceptions to this rule in the PerfectFresh zone - see below). This will prevent food smells from affecting other foods, food from drying out, and also any cross-contamination of bacteria. This is especially important for storing animal products.

The shelf life of food can be significantly increased by setting the correct temperature and maintaining good standards of hygiene.

Storing food in the PerfectFresh zone

Due to the optimum storage conditions in the PerfectFresh zone for fruit, vegetables, fish, meat and dairy products, food remains fresh for longer, and flavor and vitamins are retained.

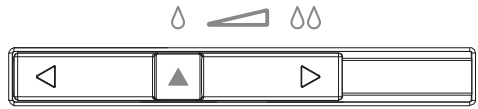
The optimum storage temperature for fresh food which is not sensitive to the cold is 32 °F - 37 °F (0 °C - 3 °C). This is the temperature range which is automatically maintained in the PerfectFresh zone. Food which is not sensitive to cold can be stored in the PerfectFresh zone at this temperature without loss of freshness for considerably longer than in a standard refrigerator, as the deterioration process is decelerated at this temperature.

The humidity level in the PerfectFresh zone can also be regulated to provide the correct conditions for food stored inside it. An increase in the humidity level ensures that food retains its own moisture and does not dry out so quickly. Therefore, such food will remain firm and fresh for longer.

Food should be in good condition from the start to get good storage results.

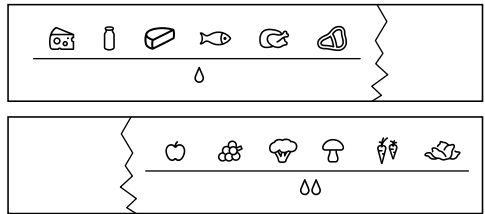
Take food out of the PerfectFresh zone approx. 30-60 minutes before using it. The aroma and flavor do not fully develop until the food has reached room temperature.

Regulating the humidity level in the compartments



- Move the slide control to the desired setting, depending on whether you wish to use the compartment as a dry Δ or a humid $\Delta\Delta$ compartment

The **Info system** in the glass plate above the PerfectFresh Pro zone helps you choose the correct compartment and/or select the appropriate setting in the humidity controlled compartment.



Each type of food has its own characteristics and requires certain storage conditions.

High humidity $\Delta\Delta$ in the humidity controlled compartment can cause condensate to build up on the floor of the compartment.

This should be removed with a cloth.

Storing food in the PerfectFresh zone

Using a compartment as a dry compartment

If the slide control is set to **dry** Δ, air humidity is not increased.

The dry compartment is suitable for storing perishable foods such as:

- fresh fish, shellfish,
- meat, poultry,
- salads,
- dairy products such as yogurt, cheese, cream, etc.
- any type of food can in fact be stored in this compartment, as long as it is packaged.

The low temperature in the dry compartment is its most distinctive feature. The humidity level is similar to that in a conventional refrigerator.

Please note that foods rich in protein deteriorate faster than others. Shellfish, for example, deteriorates faster than fish, and fish deteriorates faster than meat.

Always keep these foods **covered or wrapped**.

Using a compartment as a humid compartment

If the slide control is set to **humid** ΔΔ, air humidity is increased.

The humid compartment is particularly suitable for storing fruit and vegetables.

The humidity greatly depends on the type and quantity of food being stored, if stored unwrapped.

The humidity can be too low if there is only a small amount stored in the compartment.

Tip: If you are only storing a small amount of food, wrap it in airtight packaging.

Storing food in the PerfectFresh zone

If you are not satisfied with your stored food (for example the food wilts or becomes withered after only a short storage time), check the following:

- Only place fresh food in the appliance.
- Clean the PerfectFresh compartments before storing food in them.
- Very wet food should be dried off before storing it.
- Do not store any food in the PerfectFresh zone which is sensitive to cold (see "Food which is not suitable in the refrigerator section").
- Set the slide control to the correct position for the food being stored (humidity not increased or humidity increased).
- Increased humidity $\Delta\Delta$ in the humidity controlled compartment is achieved via the moisture present in the food being stored, i.e. the more food stored in the compartment, the higher the humidity.
If too much moisture has gathered on the floor of the compartment and the food has been affected, select the $\Delta\Delta$ setting.
Otherwise dry the floor and underneath the lid with a cloth and place a rack or similar item in the compartment so that moisture can then drip down.
If the humidity level becomes too low, wrap the food in airtight packaging.
- If you think that the temperature in the PerfectFresh zone is not correct, try adjusting it slightly by 34-35 °F (1-2 °C) via the refrigerator section temperature control. To avoid frost damage to food, a higher temperature must be set if ice crystals begin to form on the bottom of the PerfectFresh zone.

Adjusting the interior fittings (refrigerator section)

Adjusting the door shelf / bottle shelf

Risk of injury!

Only move the bottle shelves when they are empty.

- Lift up the door shelf / bottle shelf and pull it forward to remove it.
- Place the door shelf / bottle shelf at any position again. Make sure that it is properly and secure pushed back into position.

Moving the shelves

The shelves can be adjusted as necessary according to the height of the food:

- Hold the shelf on both sides and raise it slightly so that it can be lifted over the catches at the back.
- Pull the shelf forwards.
- Place the shelf at the required level, ensuring that it has engaged in the catches at the back.
- Make sure that the shelf is on straight.

Please note that you will not be able to remove the shelves if the appliance doors can only open 95°.

Remove the locking pins from the top of the hinges to adjust the angle.

Removing the glass plate above the PerfectFresh Pro zone

The glass plate above the PerfectFresh zone can be removed for cleaning.

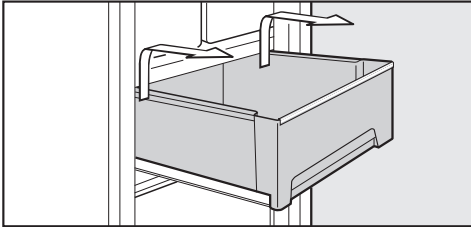
- Carefully take hold of the glass plate right and left from underneath and lift it upwards and out.

Adjusting the interior fittings (refrigerator section)

PerfectFresh zone compartments

The compartments in the PerfectFresh zone are on telescopic rails, and can be removed for filling, emptying or cleaning purposes:

- Pull out the compartment as far as it will go.



- Holding the sides of the compartment at the back, lift it up and then forwards and out.

Push the runners back in again to avoid damaging them.

Take care when cleaning the appliance that you do not wash the special lubricant out of the telescopic rails.

Wipe them with a well-wrung out damp cloth only.

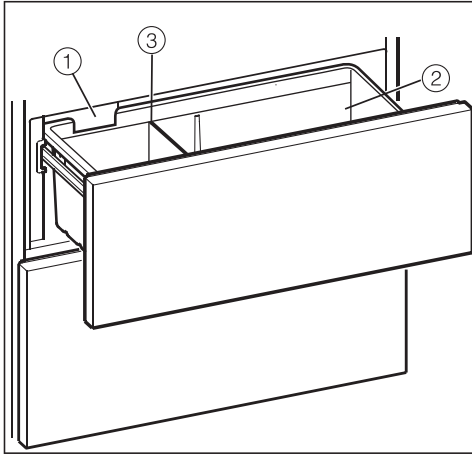
To replace the drawer:

- Place the drawer on the fully retracted telescopic runners.
- Push the drawer in until it clicks into place.

Adjusting the interior fittings (freezer section)

Freezer drawers

Both freezer drawers can be used to freeze fresh food and for storage of ready-frozen food.



The ice cube maker ① is located above the upper freezer drawer ② on the left-hand side.

The upper freezer drawer ② is divided into two parts by a divider ③ and the left-hand side serves as the ice cube container. If you wish to make this bigger to produce larger ice cubes, pull divider ③ upwards and replace it in the additional holder on the right.

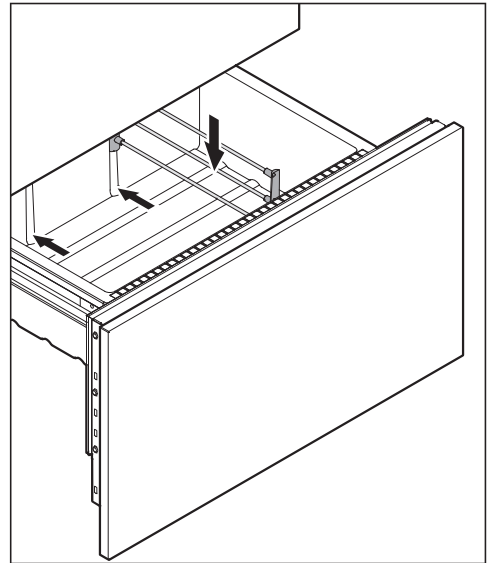
If you wish to use the whole of the top freezer drawer ② to store ice cubes, you can remove divider ③ by lifting it upwards and out completely.

If you wish to use the whole of the top drawer ② for storing frozen food, remove divider ③ and turn off the ice cube maker (see "Making ice cubes").

The lower freezer drawer is used for freezing fresh food and storing frozen food. The drawer can also be used to store ice cubes.

Moving the dividing grille in the lower freezer drawer

The dividing grille in the lower freezer drawer can be repositioned according to your wishes:

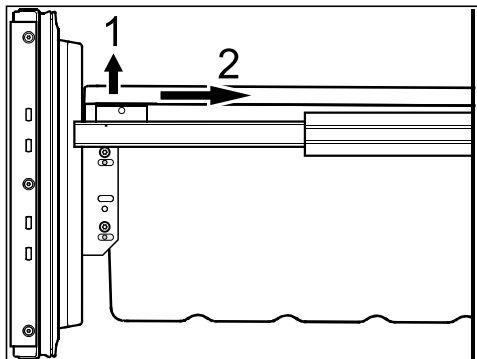


- Pull the lower freezer drawer out.
- Lift the dividing grill upwards and off and move it to the right or left, depending on your requirements.

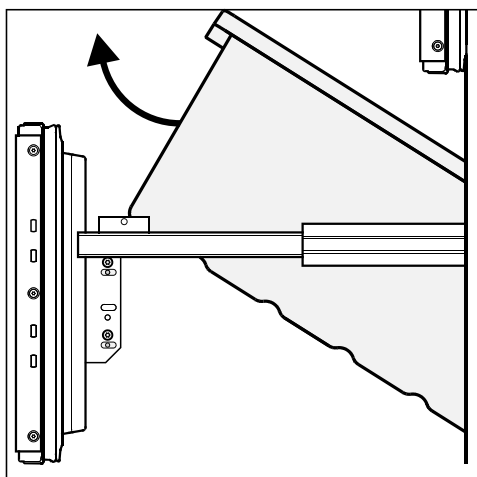
Adjusting the interior fittings (freezer section)

Removing the freezer drawer containers

The hanging containers in the freezer drawers can be removed.




- Lift the container forwards on both sides (1) and push it back slightly to unclip it (2).



- Remove the container upwards.
- Replace the container in the reverse order.

Freezing and storing food

Always observe USDA food safety guidelines.

 **WARNING! Fire hazard!**

Do not operate any electrical equipment inside the appliance. This can cause sparking.

Maximum freezing capacity

To ensure that fresh food placed in the freezer freezes through to the core as quickly as possible, the maximum freezing capacity must not be exceeded. The maximum freezing capacity for freezing within a 24-hour period is given on the data plate: "Freezing capacitylbs/24 hrs."

What happens when you freeze fresh food?

Fresh food should be frozen as quickly as possible so that the nutritional value of the food, its vitamin content, appearance and flavor are maintained.


The longer food is frozen, the more water it loses from each individual cell in to the intermediate spaces. The cells then shrink. During the defrosting process, only some of this water is reabsorbed by the cells. In practical terms, this means that the food loses a substantial amount of liquid, which can be seen by the fact that a large pool of water collects around it.

If food is frozen quickly, the cells have less time to lose moisture, so they shrink less. As there is not so much moisture loss, it is easier for the food to reabsorb it during the defrosting process, and very little water collects around the defrosted food.

Storing frozen food

When buying frozen food to store in your freezer, make sure to check:

- that the packaging is not damaged,
 - the expiration date and
 - the temperature at which the frozen food is being stored in the shop. The length of time it can be kept is reduced if it has been stored at a temperature warmer than 0°F (-18°C).
- Buy frozen food at the very end of your shopping trip.
 - Store it in the freezer compartment as soon as possible.

 Never re-freeze partially or fully defrosted food. Defrosted food may only be re-frozen after it has been cooked.

Home freezing

Only freeze food that is fresh and in good condition.

Tips for home freezing

- The following types of food **are suitable** for home freezing: fresh meat, poultry, game, fish, vegetables, herbs, fresh fruit, dairy products, baked goods, leftovers, and most pre-cooked meals.
- The following types of food **are not suitable** for freezing: Grapes, lettuce, radishes, sour cream, mayonnaise, eggs in their shells, onions, whole raw apples and pears.
- To retain color, taste, aroma and vitamin C, vegetables should be blanched after they have been trimmed and washed. To blanch: bring a large saucepan of water to the boil, immerse the vegetables in the fast boiling water for 2-3 minutes, depending on variety. Remove, and plunge into ice-cold water to cool quickly. Drain and pack ready for freezing.
- Lean meat freezes better than fatty meat and can be stored for considerably longer.
- To prevent chops, steaks, cutlets, etc. from freezing together in solid blocks when packed, separate with a sheet of plastic freezer film.

- Do not season fresh foods or blanched vegetables before freezing. Only season cooked food lightly before freezing, but care should be taken as the taste of some spices alters when frozen.
- Placing hot foods or drinks in the freezer causes food that is already frozen to partially thaw and increases energy consumption. Allow hot foods and drinks to cool down before placing them in the freezer.

Packaging

- Freeze food in portions.

Suitable packing material

- Plastic films
- Freezer bags
- Aluminum foil
- Freezer containers

Unsuitable packing material

- Packing paper
- Parchment paper
- Cellophane
- Garbage bags
- Plastic carrier bags
- Remove as much air as possible from the package before sealing.
- Close the packaging tightly with
 - rubber bands
 - plastic clips
 - string or bag ties or
 - freezer tape.

Freezing and storing food

Tip: Freezer bags may also be sealed using home heat sealing kits.

- Label the package with the contents and the date of freezing.

Before placing food in the freezer

- When freezing more than 4 lbs (2 kg) of fresh food, switch on the SuperFreeze function 24 hours before placing the food in the freezer (see "Using SuperCool and SuperFreeze - SuperFreeze function").

This helps food which is already stored in the freezer to stay frozen.

Placing food in the freezer

- When placing items in the freezer, ensure that the packaging and containers are dry to prevent them from sticking together when frozen.

Unfrozen food should not touch frozen food as this will cause frozen food to begin to thaw.

Food to be frozen can be placed anywhere in the freezer.

Defrosting

Frozen food can be thawed in various ways:


- in the microwave,
- in a regular oven, using the "Fan" or "Defrost" setting
- at room temperature,
- in the refrigerator section (the cold given off by the frozen food helps to keep the other food cold),
- in a steam oven.

Flat pieces of partially thawed meat or fish can be placed directly into a hot skillet.

Meat and poultry (e.g. hamburger, chicken, fish) should not come into contact with other foods while defrosting. Catch the defrosting liquid and dispose of it carefully.

Fruit can be thawed at room temperature, either in the packaging or in a covered bowl.

Most vegetables can be cooked while still frozen. Just put straight into boiling water or hot fat. The cooking time is slightly less than that of fresh vegetables due to changes in the cell structure.

 Never re-freeze partially or fully defrosted food. Defrosted food may only be re-frozen after it has been cooked.

Cooling drinks quickly

To cool drinks quickly, place them in the refrigerator section, and switch on the SuperCool function.

When cooling drinks quickly in the freezer, make sure bottles are **not left in for more than one hour**; otherwise they could burst.

Making ice cubes


For the automatic ice cube maker to operate it must be connected to the fresh water supply (see "Fresh water supply").

Turning on the ice cube maker

Only make normal domestic quantities of ice cubes with the ice cube maker.

- Check whether the water shut-off valve is open.



- Touch the sensor for turning the ice cube maker on and off so that the indicator light for the ice cube maker  lights up in the right-hand side of the display.

If it was not turned on before, the freezer section now turns on automatically.

As soon as the water is frozen, the ice cubes drop out of the ice cube maker into the ice cube container. When a certain volume is reached, ice cube production is automatically adjusted.

The ice cube maker will only produce ice cubes when both freezer drawers are properly closed!

After first use, it might take about 24 hours until the first ice cubes are produced.


Danger to health!


After first use the first three containers of ice cubes must not be consumed and must be discarded as the water will have been used to rinse through the pipework.

This also applies when using the appliance again after not having used it for a while.

The ice cube maker can make up to 100 - 120 ice cubes in 24 hours (at a freezer temperature of 0 °F / -18 °C).

The amount of ice cubes which the appliance makes depends on the temperature in the freezer.


- If you want to make the maximum amount of ice cubes (up to 150 ice cubes/ 24 hours), turn on the Super-Freeze  function. Please note however that this will increase the energy consumption of the appliance.

If the ice cube maker indicator light  flashes, the ice cube maker has an insufficient supply of water. Check whether the water shut-off valve is open.

Turning off the ice cube maker


The ice cube maker can be switched off independently of the freezer section if you do not want the appliance to make any ice cubes.



- Touch the sensor for turning the ice cube maker on and off so that the indicator light for the ice cube maker  goes out in the right-hand side of the display.


If the ice cube maker is going to be switched off for a long period of time

- close the water shut-off valve.

If the indicator light for the ice cube maker  begins to flash, this means that there is still water remaining in the ice cube maker.


- Leave the ice cube maker switched on for another day so that the remaining ice cubes can be produced.



- As soon as the remaining ice cubes have been produced, touch the sensor for turning the ice cube maker on and off so that the indicator light for the ice cube maker  goes out in the right-hand side of the display.
- Take the remaining ice cubes out of the ice cube container and dispose of them.



Changing the size of the ice cubes E

The size of the ice cubes produced depends on the volume of the water intake which you can set according to your requirements. To make larger ice cubes, the volume of the water intake must be increased.


A medium volume of water intake  is set as the factory default.



- Touch the On/Off sensor for the SuperFreeze function for approx. 5 seconds.

The indicator light  in the right-hand side of the display will light up at this time and after approx. 5 seconds  will flash in the bottom (freezer section) temperature display. MENU will light up in the display. You are now in Settings mode.



- Touch one of the sensors for setting the temperature in the freezer section repeatedly until  flashes in the bottom temperature display.



- Touch the Super sensor again.

The last selected setting lights up in the display.

Making ice cubes

Up



- The water volume set can be altered within the range of $E 1$ to $E 8$ by touching the sensors for setting the temperature in the freezer section.

Only change the water volume setting by one level and then observe the result. If the water volume is set too high, the ice cube tray in the ice cube maker can overflow!

Super



- Touch the Super sensor again to save the setting.

On/Off



- Touch the on and off sensor for the freezer section to exit Settings mode.



Danger of injury and damage!

Do not use any mechanical or other types of aids which are not recommended by the manufacturer to accelerate the defrosting process.

Refrigerator section and PerfectFresh zone

The refrigerator section and the PerfectFresh zone defrost automatically.

Condensate and frost can build up on the back wall of the refrigerator section and the PerfectFresh zone while in use. You do not need to remove this, as it will defrost and evaporate automatically with the warmth generated by the appliance.


Freezer section


The appliance is equipped with a "NoFrost" system. The freezer defrosts automatically.


The moisture generated in the appliance collects on the condenser, and is automatically defrosted and evaporates periodically.


This automatic defrosting system enables the freezer to remain permanently ice-free, but the food stored in the freezer will not defrost!

Cleaning and care

 Danger of electric shock!
Unplug the appliance or disconnect it from the power supply.

 Fire hazard!
Do not let water get into the electronic unit or the lighting.

 Do not let water get into the electronic unit or the lighting.

 Steam from a steam cleaning appliance could reach the electrical components and cause a short circuit.
Do not use a steam cleaner!

The data plate located inside the appliance must not be removed. It contains information which is required in the event of a service call.

Cleaning agents

To avoid damaging the surfaces of your appliance, **do not** use

- cleaning products containing soda, ammonia, acid, or chloride,
- lime scale removers,
- abrasive cleaning products, such as scouring powder, scouring liquid, or pumice stones,
- cleaners containing solvents,
- stainless steel cleaners,
- dishwasher detergent,
- oven sprays,
- glass cleaning agents,
- hard, abrasive sponges and brushes, such as pot scrubbers,
- eraser sponges,
- sharp metal scrapers.

Cleaning and conditioning agents used inside the appliance must be food safe.

Use warm water and liquid dish soap.

The following pages contain important information on cleaning.

Preparing the appliance for cleaning

- Switch the appliance off.

The temperature shown in the display will go out and the cooling system switches off.

- Unplug the appliance or trip the circuit breaker.
- Take any food out of the appliance and store it in a cool place.
- Remove the shelves/bottle shelf from the appliance door.
- Take out all other removable parts for cleaning.

Interior and accessories

Clean the appliance at least once a month.

Clean up any spills, stains or food immediately. Do not allow them to dry and stick to the appliance.

- Clean with lukewarm water and liquid dish soap. Clean all parts by hand only. Do not wash in the dishwasher.
- After cleaning, wipe with clean water and dry with a soft cloth.
- Leave the door open to air the appliance for a short while and to prevent odors building up.

Aluminum frames

The front panels on the shelves in the appliance door are made of aluminum.

The appearance of aluminum changes in different lights and environments and depending on the angle you observe it from. It is also susceptible to scratching.

The aluminum frames be damaged or discolored if dirt is left on for too long. Remove any dirt immediately.

Cleaning and care

Cleaning the door seal

Do not use any grease or oil on the door seal as these will cause the seal to deteriorate and become porous over time.


- The door seal should be cleaned regularly with clean water and then wiped thoroughly dry with a soft cloth.

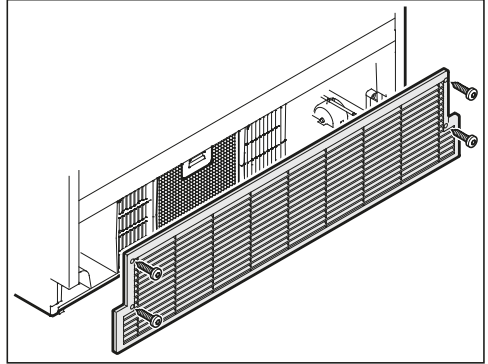
Cleaning the ventilation grilles

A build-up of dust will increase the energy consumption of the appliance.

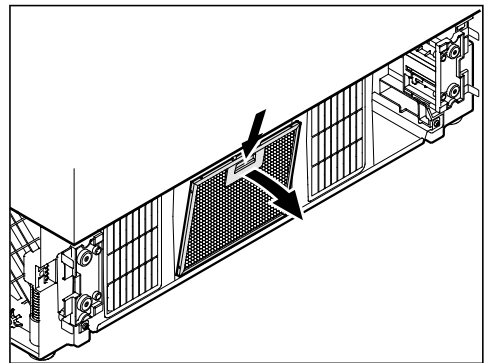
- The air vents should be cleaned on a regular basis with a brush or vacuum cleaner (you could use a Miele vacuum cleaner dusting brush, for example).

Changing the air filter


If the indicator light for the air filter  lights up in the control panel, the air filter needs to be cleaned.




- Pull out the lower freezer drawer completely.
- Unscrew the ventilation grille.



- Press down the tab on the air filter and remove it.
- Wash the air filter in the dishwasher or with a mild solution of warm water and liquid dish soap.
- Re-insert the air filter in the reverse order.
- Screw the ventilation grille back onto the front of the appliance plinth.


- Reset the indicator light for the air filter  as follows:

Confirm cleaning of air filter

When the air filter has been cleaned the indicator light for the air filter  in the display must be reset.





- Touch the On/Off sensor for the SuperFreeze function for approx. 5 seconds.

The indicator light  in the right-hand side of the display will light up at this time and after approx. 5 seconds S will flash in the bottom (freezer section) temperature display. MENU will light up in the display. You are now in Settings mode.





- Touch one of the sensors for setting the temperature in the freezer section repeatedly until *n* flashes in the bottom temperature display.



- Touch the Super sensor again.
n  lights up in the display, the  symbol lights up in the control panel.



- Touch the Super sensor again.
n lights up in the display, the indicator light for the air filter  will go out.
The indicator light for the air filter  has been reset.



- Touch the on and off sensor for the freezer section to exit Settings mode.

Cleaning and care

After cleaning

- Replace all shelves and accessories in the appliance.
- Reconnect to the power outlet and switch the appliance back on.
- Switch on the SuperFreeze function for a while so that the freezer section can cool down quickly.
- Switch on the Automatic SuperCool function for a while so that the refrigerator section can cool down quickly.
- Place food back in the appliance and close the door.
- Once the temperature in the freezer section is cold enough, you can place the food in the freezer drawers and return the drawers to the freezer.
- As soon as the freezer section reaches a constant temperature of at least 0°F (-18°C), press the SuperFreeze button to turn off the function.

Frequently asked questions

The majority of malfunctions and faults that occur during the daily routine can be put right without contacting the Service Department. The following guide will assist you to identify a malfunction or fault and rectify it yourself.

If, having followed the suggestions below, you still cannot resolve the problem, please contact Miele Technical Service.

To prevent unnecessary loss of temperature, it is advisable not to open the doors while waiting for the appliance to be serviced.



Unauthorized installation, maintenance and repairs can cause considerable danger for the user.

Installation, maintenance and repairs must only be carried out by a Miele authorized technician.

Problem	Possible cause and solution
<p>The appliance is not getting cold and the interior lighting does not come on when the refrigerator doors or freezer drawers are opened.</p>	<p>The appliance has not been switched on.</p> <ul style="list-style-type: none"> ■ Switch the appliance on. <p>The plug is not properly plugged into the electrical outlet.</p> <ul style="list-style-type: none"> ■ Insert the plug into the electrical socket. <p>Check whether the fuse has tripped. There could be a fault with the appliance, the household electrical wiring or another electrical appliance.</p> <ul style="list-style-type: none"> ■ Contact a qualified electrician or Miele Technical Service for assistance.
<p>The compressor is switching on more frequently and for longer periods of time, so the temperature in the appliance is dropping.</p>	<p>The temperature setting is too low.</p> <ul style="list-style-type: none"> ■ Correct the temperature setting. <p>A large amount of food is being frozen at once.</p> <ul style="list-style-type: none"> ■ See "Freezing and storing food". <p>The SuperCool function is still switched on.</p> <ul style="list-style-type: none"> ■ To save energy, you can turn SuperCool off yourself. <p>The SuperFreeze function is still switched on.</p> <ul style="list-style-type: none"> ■ You can turn off the Automatic SuperCool function earlier to save energy.

Frequently asked questions

Problem	Possible cause and solution
<p>The compressor is switching on more frequently and for longer periods of time; the temperature in the appliance is too low.</p>	<p>The ventilation grille in the appliance plinth is obstructed or too dusty.</p> <ul style="list-style-type: none"> ■ Do not block the ventilation grille. ■ Clean the ventilation grille on a regular basis.
	<p>The doors or freezer drawers have been opened too frequently, or a large amount of fresh food has been put in and/or frozen at once.</p> <ul style="list-style-type: none"> ■ Only open the doors and freezer drawers when necessary and for as short a time as possible. <p>After a while, the temperature will return to normal by itself.</p>
	<p>The doors or freezer drawers are not properly closed. A thick layer of ice may have formed in the freezer.</p> <ul style="list-style-type: none"> ■ Close the appliance doors or freezer drawers. <p>After a while, the temperature will return to normal by itself.</p> <p>If a thick layer of ice has formed, this will affect cooling and increase energy consumption.</p> <ul style="list-style-type: none"> ■ Defrost the appliance and clean it.
	<p>The refrigerator section doors will not close properly. The temperature in the appliance is too low.</p> <ul style="list-style-type: none"> ■ Check the refrigerator section doors and adjust them if necessary using the screws in the hinges. <p>Once the refrigerator section doors close properly, the appliance will automatically return to the required temperature after a while.</p> <ul style="list-style-type: none"> ■ Defrost the appliance and clean it.
	<p>The room is too warm. The higher the room temperature, the longer the compressor has to run.</p> <ul style="list-style-type: none"> ■ See "Installation location".
	<p>The appliance was not properly installed in the niche.</p> <ul style="list-style-type: none"> ■ See "Installation - Building in the appliance".
	<p>The freezer drawers will not open because it has been opened and closed too many times in succession.</p>


Frequently asked questions

Problem	Possible cause and solution
Water is collecting on the door seal on the refrigeration section doors.	<p>The combination of high air humidity and low ambient temperature can result in condensation forming on the door seals.</p> <ul style="list-style-type: none">■ Ensure lower humidity or a higher temperature in the room.■ Increase the setting for the door seal heater (see "Selecting additional settings").



Frequently asked questions

Problem	Possible cause and solution
The compressor runs continuously.	This is not a fault. To save energy, the compressor runs at a lower speed, but for longer, when less cooling is required. In this way, the running time of the compressor is extended.
The compressor comes on less and less often and for shorter periods of time. The temperature in the appliance rises.	<p>This is not a fault. The set temperature is too high.</p> <ul style="list-style-type: none">■ Correct the temperature setting.■ Check the temperature again after 24 hours. <p>The food begins to defrost. The room temperature is lower than the ambient temperature for which the appliance is designed. Operating in a room which is too cold will cause the compressor to switch off for too long, causing the freezer to become too warm.</p> <ul style="list-style-type: none">■ See "Installation location".■ Increase the room temperature.
Food has frozen together or to the wall.	The food packaging was not dry when loaded in the freezer. <ul style="list-style-type: none">■ Use a blunt instrument (such as a spoon handle) to carefully pry them apart.
A buzzer is sounding.	The appliance door or a freezer drawer been open for longer than 3 minutes. <ul style="list-style-type: none">■ Close the door or freezer drawer.




Messages in the display

Message	Possible cause and solution
<p>The power failure symbol , appears in the control panel and dashes are lit up in the bottom temperature display.</p>	<p>The temperature in the appliance in the previous days or hours has risen too high because of a power cut or interruption to the power supply. The appliance will go back to the last temperature setting when the power is back on.</p> <ul style="list-style-type: none">■ Touch the Alarm sensor. <p>The warmest temperature recorded in the freezer section will flash for about 1 minute in the display. You can exit from the flashing temperature display early:</p> <ul style="list-style-type: none">■ Touch the Alarm sensor again.■ Depending on the temperature displayed, you should check the condition of food in the freezer. If it has defrosted or started to defrost, check that it is still safe to use and, if so, use it as soon as possible. Defrosted food may only be re-frozen after it has been cooked. <p>As soon as the temperature in the freezer section is within the range that can be displayed it will appear again in the temperature display.</p>

Frequently asked questions

Message	Possible cause and solution
<p>The freezer section temperature display and the Alarm symbol  flash. An alarm also sounds.</p>	<p>The temperature in the freezer section is too high. For instance, this could be due to:</p> <ul style="list-style-type: none">– the freezer drawers being opened too often,– a large quantity of fresh food has been placed in the freezer at once without turning on the Super-Freeze function,– a lengthy interruption to the power supply. <p>■ Rectify the cause of the alarm.</p> <p>The alarm will stop and the alarm symbol  will go out as soon as the temperature has dropped to the correct level again.</p> <p>■ Depending on the temperature displayed, you should check the condition of food in the freezer. If it has defrosted or started to defrost, check that it is still safe to use and, if so, use it as soon as possible. Defrosted food may only be re-frozen after it has been cooked.</p>

Messages in the display

Message	Possible cause and solution
Dashes are flashing in the temperature display.	Only temperatures within the range of the appliance temperature will be displayed. <ul style="list-style-type: none"> ■ Check the temperature in the display about 6 hours after switching the appliance on.
"F0 to F5" appears in the display.	There is a fault. <ul style="list-style-type: none"> ■ Contact Miele Technical Service.
🔒 is lit up in the display and the appliance cannot be used.	The safety lock has been activated. <ul style="list-style-type: none"> ■ Turn off the safety lock (see "Selecting settings - Switching the safety lock on/off").
The air filter indicator light  lights up in the control panel.	This is a reminder to clean the air filter in the appliance plinth. <ul style="list-style-type: none"> ■ Clean the air filter (see "Cleaning and care"). The reset the indicator light  via Settings mode (see "Cleaning and care - Confirm cleaning of air filter").
When the ice cube maker is turned on, the indicator light for the ice cube maker  flashes in the control panel.	The water intake is not open. <ul style="list-style-type: none"> ■ Open the water intake.

Frequently asked questions

Problems with the ice cube maker

Problem	Possible cause and solution
You cannot turn the ice cube maker on.	The appliance is not connected to the power supply or is not switched on. ■ Reconnect to the power supply and switch the appliance back on.
The ice cube maker does not produce any ice cubes.	The appliance or the ice cube maker is not turned on. ■ Turn on the appliance and the ice cube maker.
	The water intake is not open or has not been vented. ■ Open the water intake. ■ Check that the water supply has been vented.
	The drawers below the ice cube maker are not closed properly. ■ Push the drawers all the way in.
	The temperature in the freezer section is too high. ■ Select a lower temperature.
	The appliance doors or freezer drawers have been opened too frequently causing the compressor to turn on more often and the ice maker has iced up. ■ Only open the doors and freezer drawers when necessary and for as short a time as possible.
	Remember it can take up to 24 hours to produce the first ice cubes.

Problems with the ice cube maker



Problem	Possible cause and solution
The ice cube maker is producing only small ice cubes.	<p>There are a number of plumbed-in household appliances in operation which has reduced the intake volume.</p> <ul style="list-style-type: none">■ Avoid using the dishwasher, washing machine, etc. at the same time.
	<p>The size of the ice cubes depends on the quantity of water being taken in. You are able to set this quantity according to your wishes.</p> <ul style="list-style-type: none">■ To make larger ice cubes, the incoming water volume of the ice cube maker must be extended.
The ice cubes have an unpleasant odor or flavor.	<p>The ice cube maker is seldom used. If you do not use it very often, ice cubes that are stored for a long period can absorb the taste and smell of other items.</p> <ul style="list-style-type: none">■ Empty the ice cube container if you are not going to use the ice cube maker for a long time.■ Clean the ice cube container.
	<p>There are unsealed packages in the freezer section. Ice can absorb the taste and smell of unsealed food.</p> <ul style="list-style-type: none">■ Store only sealed food in the freezer section.
	<p>The ice cube container is dirty.</p> <ul style="list-style-type: none">■ Clean the ice cube container.

Frequently asked questions

Problems with the ice cube maker

Problem	Possible cause and solution
Water is flowing out of the appliance.	The water intake is faulty. <ul style="list-style-type: none">■ Close the water shut-off valve immediately!■ Check whether the water line is damaged.■ Check whether the water pressure is too high.■ Contact Miele Technical Service.
	Unduly high water pressure can cause leakages. <ul style="list-style-type: none">■ The water pressure must be between 22 and 87 psi (1.5 and 6 bar).

The interior lighting is not working.

Problem	Possible cause and solution
The interior lighting is not working.	<p>The appliance has not been switched on.</p> <ul style="list-style-type: none">■ Switch the appliance on.
	<p>To avoid overheating, the lighting turns itself off automatically after approx. 15 minutes if the door is left open. If this is not the case, then there is a fault.</p>
	<div data-bbox="404 432 1042 624" style="border: 1px solid gray; padding: 5px;"><p> Danger of electric shock. There are live electrical components under the lighting cover. The LED lighting may only be repaired or replaced by a Miele authorized service technician.</p></div> <div data-bbox="404 639 1042 922" style="border: 1px solid gray; padding: 5px;"><p> Danger of injury from LED lighting. Light intensity corresponds to laser beam class 1/1M. The lighting covers must not be removed or damaged, or be removed due to damage. This could cause injury to your eyes. Do not look into the LED lighting (laser beam class 1/1M) with optical instruments (e.g. magnifying glass or similar).</p></div> <ul style="list-style-type: none">■ Contact Miele Technical Service.

Causes of noises

Normal noises	Cause
Brrrrr...	A humming noise is made by the motor (compressor). This noise can get louder for brief periods when the motor switches on.
Blub, blub...	A gurgling noise can be heard when the coolant circulates through the pipes.
Click...	Clicking sounds occur whenever the thermostat switches the motor on or off.
Sssrrrrr...	On multi-zone or frost-free appliances you can sometimes just hear the sound of the fan inside the appliance.
Crack...	A cracking sound can be heard when materials expand inside the appliance.

Please bear in mind that a certain amount of noise is unavoidable (from the compressor and the coolant circulating through the system).

Noises that you can easily eliminate	Possible cause	Solution
Rattling, clinking	The appliance is uneven.	Realign the appliance by using a spirit level and raising or lowering the screw feet underneath the appliance.
	The appliance is touching another appliance or piece of furniture.	Move it away.
	Drawers, baskets or shelves are jiggling or are stuck.	Check all removable items and refit them correctly.
	Bottles or containers are touching.	Separate them.
	The transport cord clip is still hanging on the back of the appliance.	Remove the clip.

Technical service

In the event of a fault which you cannot easily correct yourself, please contact:

- your Miele dealer or
- Miele Technical Service.

Contact details can be found in the back of these operating and installation instructions.

Please quote the model and serial number of your appliance when contacting Miele.

This information is given on the data plate inside your appliance.

Warranty

For additional information, please refer to your warranty booklet.

See the end of these operating and installation instructions for this telephone number.

Plumbing

Information on the fresh water connection

The appliance must be connected to the mains water supply by a qualified professional.

Disconnect the appliance from the power supply before connecting it to the mains water supply.

Turn off the water supply before connecting the water lines for the ice cube maker.

The water quality must comply with the requirements for drinking water in the country in which the appliance is being operated.

The appliance must be connected to the drinking water supply only.

Connection to the household water supply must comply with current national and local safety regulations in the country in which the appliance is being operated.

All items used for connecting the appliance to the water supply must also comply with the current national and local safety regulations in the relevant country.

The appliance is only suitable for connection to a cold water supply, which

- is directly connected to the water supply in order to ensure a circulation of the water in the cold water line.

Avoid using a water line in which the water is allowed to pool. This can affect the taste of water and ice cubes.

- withstands the operating pressure.
- fulfills the hygiene regulations.

The water pressure must be between 22 and 87 psi (1.5 and 6 bar).

A shut-off valve must be provided between the water line and the water supply of the building to ensure that the water supply can be cut off if necessary.

Make sure that the shut-off valve is still accessible after the appliance has been installed.

 Risk of damage!

If the water supply is cut off while the ice cube maker is still in use the water intake pipe can freeze up.

Turn the ice cube maker off if the water supply is interrupted (e.g. while on vacation).

Connecting the water supply

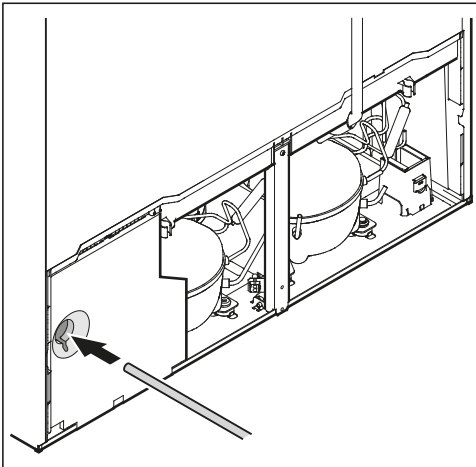
Before connecting the water, make sure that the appliance is disconnected from the electricity supply.

The cold water line must be vented by a qualified plumber before it is used for the first time.

The water connection is located at the bottom on the front of the appliance.

The connection parts included with the appliance permit the connection of various water lines (water line not supplied).

- Push the appliance carefully into the niche, leaving sufficient room for installation work behind the appliance.



- Feed the water line forwards from behind through the opening provided on the back of the appliance.
- Guide the power cord out of the niche area.

Risk of damage!

Now move the water line and power cord to avoid damaging them when the appliance is pushed into the niche!

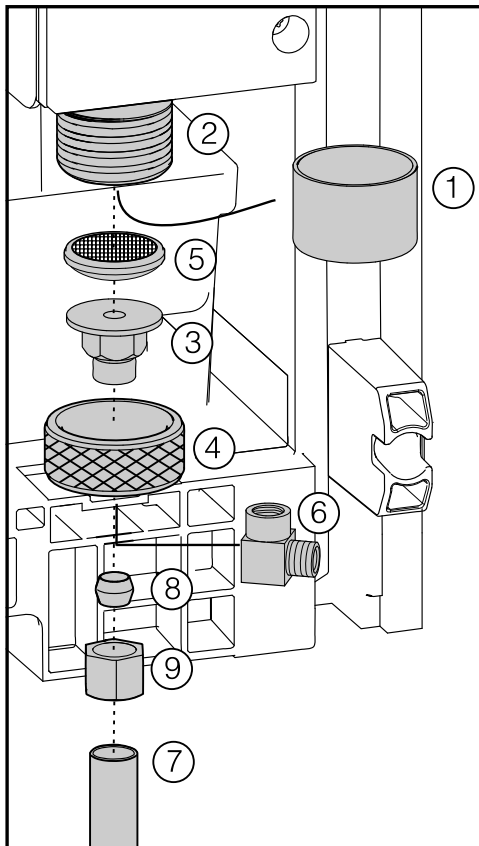
⚠ ATTENTION:

Do not connect the appliance to the power supply yet!

Do not connect the appliance to the power supply until the water connection work has been completed.

- Carefully push the appliance into the building-in niche (see "Building in the appliance").

Plumbing



The solenoid valve ② has a metric R 3/4 connection thread (the position of the solenoid valve as shown in this diagram may differ from your appliance).

- Remove the cap ① from the solenoid valve ②.
- Insert the adapter ③ into the union nut ④.

⚠ Risk of damage!

Do not insert the water filter the wrong way around as this can cause damage.

- Insert the water filter ⑤ with the depression facing downwards towards the adapter ③.

⚠ Risk of damage!

Do not overtighten the union nut as this can cause damage.

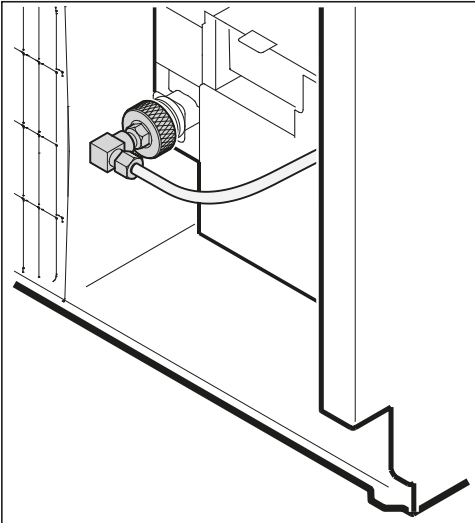
- Connect the union nut ④ to the solenoid valve ② and tighten it.
- If you want to move the water line by 90°, screw on the elbow ⑥.

For water lines with a 1/4" thread:

- Connect the water line ⑦ (e.g. copper) to the adapter ③ or elbow ⑥ using the clamping ring ⑧ and nut ⑨.

For water lines with a 7/16" 24-UNS thread:

- Connect water line ⑦ directly to adapter ③ or elbow ⑥ (clamping ring ⑧ and nut ⑨ are not required).
- Connect the water line to the water shut-off valve.
- Briefly open the water shut-off valve to vent the water line.



The position of the solenoid valve as shown in this diagram may differ from your appliance.

- Now connect the water line to the solenoid valve.
- Slowly open the shut-off valve in the water supply line and check the whole water system for leaks.
- The appliance can now be connected to the power supply (see "Electrical connection").

Take care not to bend or damage the water line when pushing the appliance into the niche.

Electrical connection

Danger of electric shock!

The appliance must only be switched on when it has been installed in accordance with the installation instructions.

Ground the appliance.

The appliance must not be grounded via a gas pipe.

If in doubt, have a suitably qualified and experienced electrician check that the installation complies with relevant regulations.

Do not install a fuse into neutral current or grounding electrical circuit.

Do not use an extension lead or multi-socket adapter.

Do not use a frayed or damaged power cord.

Danger of electric shock!

For protection against electric shock this appliance is equipped with a pole-free plug which is protected against reverse polarity. The plug must be grounded in the usual way.

Do not remove the round grounding connector pin from the plug.

Use only a grounded plug adapter.

Wait for 1 hour after installation before plugging the appliance into the power supply. This allows coolant and refrigerator oil to settle in accordance with regulations.

Ensure that the voltage of the main power supply corresponds with the connection voltage of the appliance. A power supply of 110 - 120 V, 60 Hz and 15 Amp (20 Amp for side-by-side installation) with a NEMA 5-15 molded plug, which is protected by a main switch or a fuse, is required to operate the appliance.

The manufacturer recommends operating the appliance on a separate circuit to avoid overloading the electrical circuit.

All relevant legal electrical, fire and building regulations must be observed when installing the socket and/or the appliance.

In certain countries appliances are required to be connected to the electrical supply via a wall-mounted ON/OFF switch.

To avoid the risk of fire, electric shock or other injuries installation and connection of the appliance must be carried out by a suitably qualified electrician in accordance with all relevant local and national regulations and standards, including fire prevention.

The outlet must be easily accessible in an emergency so that the appliance can be quickly disconnected from the electrical supply in case of an emergency.

The socket must be located so that the upper edge is a maximum 82" (2100 mm) distance from the upper edge of the base of the kitchen cabinet.

If the outlet is no longer accessible once the appliance has been installed, an all-pole disconnect device with a contact opening of at least 1/8" (3 mm) must be present on site. The disconnect device may be circuit breaker, a fuse, or a contactor (compliant with local regulations).


The plug and power cord must not come into contact with the back of the appliance as vibrations can cause damage to these components. This, in turn, could result in a short circuit.

Do not plug in other devices behind this appliance.

Do not connect the appliance to an inverter such as those used with an autonomous energy source e.g. **solar power**. When switched on, peak loads in the system can cause the safety switch-off mechanism to be triggered. This can damage the electronic unit. The appliance must not be used with so-called **energy-saving devices** either. These reduce the amount of energy supplied to the appliance, causing it to overheat.

If the power cord needs to be replaced, this must be done by a qualified technician.

Installation information

 **WARNING!** This appliance must be built in, otherwise it could tip up. Install the appliance in accordance with the installation instructions.


Installation location

This appliance should be installed in a dry, well-ventilated room.

This appliance should not be installed where it is exposed to direct sunlight or directly adjacent to a heat-producing appliance such as a cooker, an oven or a radiator, under a hob or near a window in direct sunlight. The higher the ambient temperature of the room, the longer the compressor runs, and the more energy the appliance requires to operate. The appliance should be installed in a dry, well ventilated room.

When installing the appliance, please note:

- The electrical socket must be easily accessible in an emergency, not concealed behind the appliance.
- The plug and cord must not touch the back of the appliance as they could be damaged by vibrations from the appliance.
- Do not plug in other devices behind this appliance.

 To avoid a build-up of condensation and the damage this can cause, refrigerators and freezers should not generally be installed side by side with other such appliances.
Do not install this appliance beside another refrigerator or freezer.

 **In environments with high humidity** condensation may appear on the external surfaces of the appliance.

Condensate can cause corrosion on external appliance walls.

For prevention, it is advisable to install the appliance with sufficient ventilation in a dry and/or air conditioned room.

After installation make sure that the appliance door closes properly, the air vents are not covered and that the appliance has been installed in accordance with these installation instructions.

Climate class

The appliance is designed for use within a certain climate range (ambient temperatures) and should not be used outside this range. The climate range of the appliance is stated on the data plate inside the appliance.

Climate class	Room temperature
SN	50°F to 90°F / 10°C to 32°C
N	60°F to 90°F / 16°C to 32°C
ST	60°F to 100°F / 16 to 38°C
T	60°F to 109°F / 16 to 43°C

Operating in a room which is too cold will cause the compressor to turn off for too long, causing the internal temperature in the appliance to rise, resulting in damage.

Ventilation

This appliance does not require apertures for ventilation in the appliance furniture. Ventilation occurs via the ventilation slit in the appliance plinth.



WARNING! Fire hazard!

Operation of the appliance is limited. Keep the ventilation slits free from obstruction.

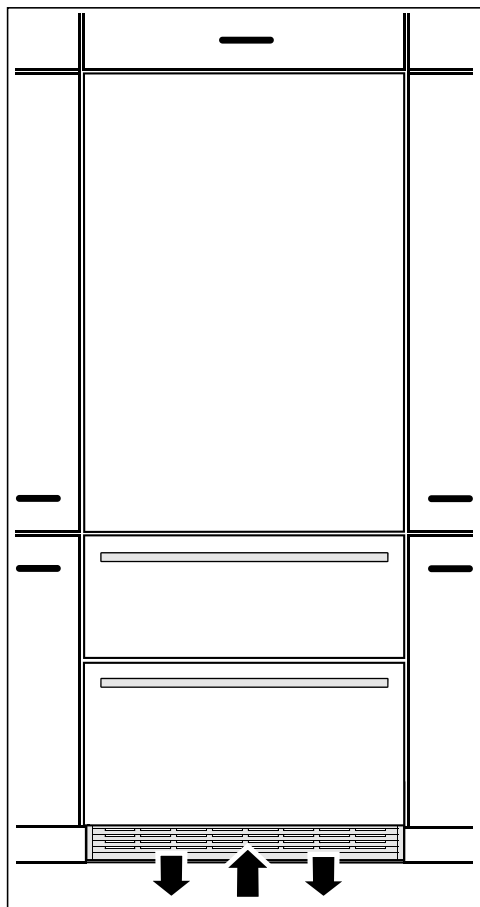


If the ventilation slits are not kept free and unobstructed the compressor will switch on more often and will run for longer.

This can cause higher energy consumption and to an increased compressor operating temperature, which can result in damage to the compressor.

Keep the ventilation slits clear and unobstructed at all times. They must also be regularly cleaned of dust.

Installation information

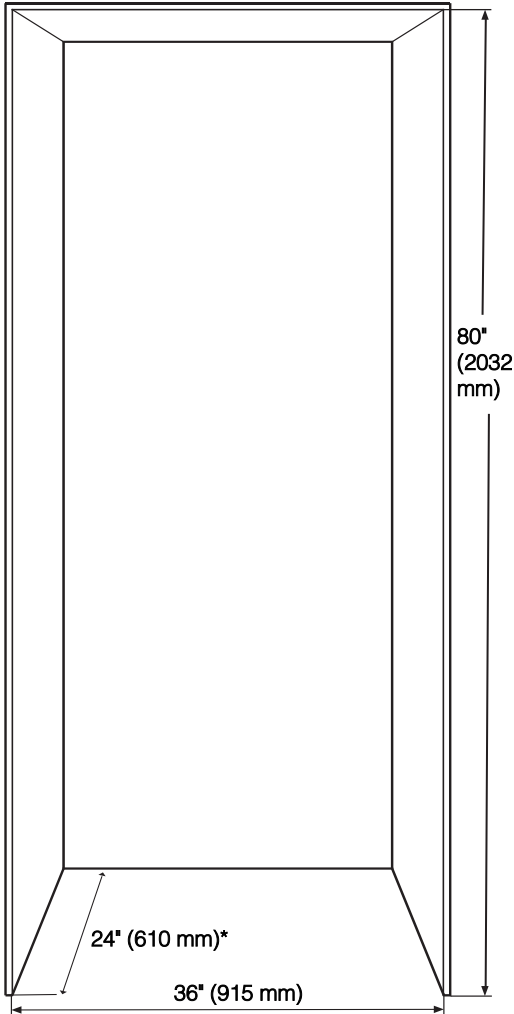


Use only the plinth panel with the ventilation slits as supplied for this appliance!

Installation and appliance dimensions

Installation dimensions

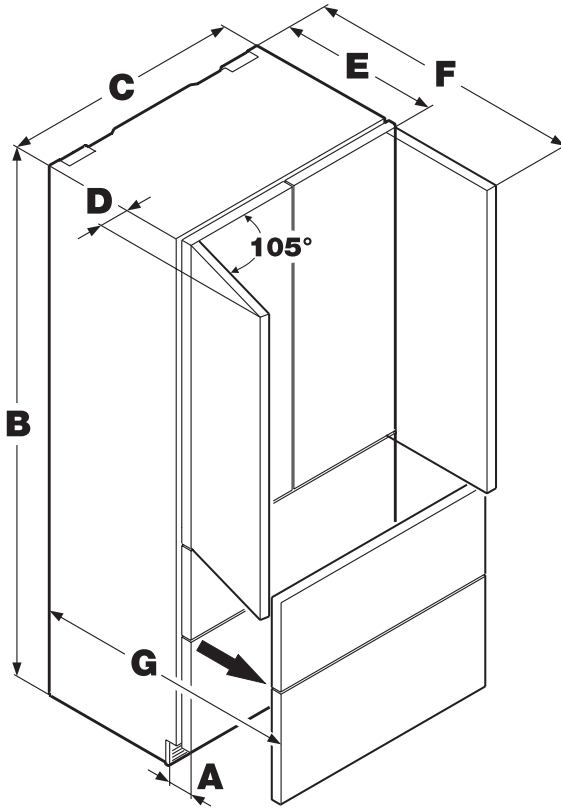
If the appliance is to fit in a niche, check that the unit has the correct dimensions for the niche before installation.



* This value applies to "frameless" installation (see "Installation and appliance dimensions – Frameless installation"). The thickness of the cabinet door must be added on for "flush" installation.

Installation and appliance dimensions

Appliance dimensions

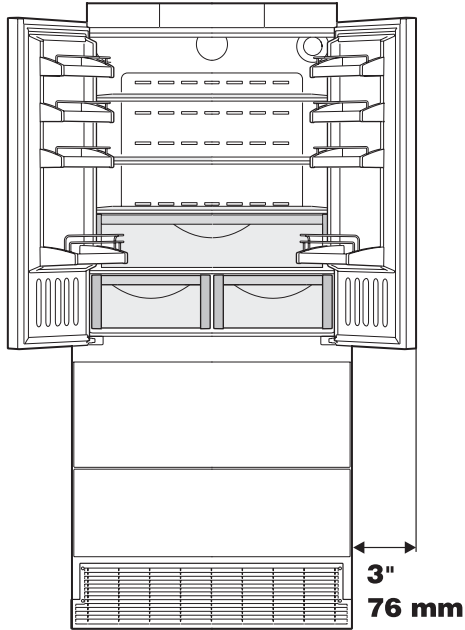


	A	B	C	D	E	F	G
KFNF 9955 iDE	3" (76 mm)	79 13/16" (2027 mm)	35 13/16" (910 mm)	3" (76 mm)	24" (610 mm)	42 7/16" (1078 mm)	37 1/8" (943 mm)

Installation and appliance dimensions

Opening angle of the appliance doors

When choosing a location for your appliance, please consider the space required for opening both appliance doors.



Neither the fitted cabinet door nor the handle have been taken into account with the dimensions shown here. Please note that these dimensions need to be added on as necessary!

Installation and appliance dimensions

Flush installation

To avoid a collision of the appliance doors with adjacent furniture, please note the following:

Thickness of the cabinet door	Opening angle of the appliance doors
5/8" (16 mm)	No limitation required
3/4" (19 mm)	Recommended limitation to 95° *

* Use the door opening angle limiter pins supplied (see "Limiting the opening angle of the appliance door").

Frameless installation

To avoid a collision of the appliance doors with adjacent furniture, please note the following:

Thickness of the cabinet door	Distance all-round to adjacent furniture	Opening angle of appliance doors
5/8" (16 mm)	less than 1/4" (6 mm)	Recommended limitation to 95° *
3/4" (19 mm)	less than 3/8" (10 mm)	Recommended limitation to 95° *

* Use the door opening angle limiter pins supplied (see "Limiting the opening angle of the appliance door").

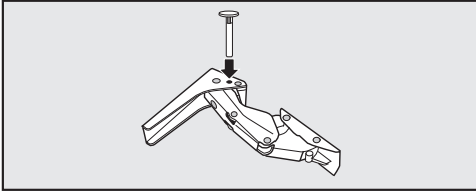
Installation and appliance dimensions

Limiting the opening angle of the doors

The door hinges are set to enable the appliance doors to be opened wide.

However, if the opening angle of the doors needs to be limited for any reason, the hinge can be adjusted to accommodate this.

If, for example, the appliance doors hit an adjacent wall when it is opened the, you should limit the opening angle of the appliance doors to 95°.



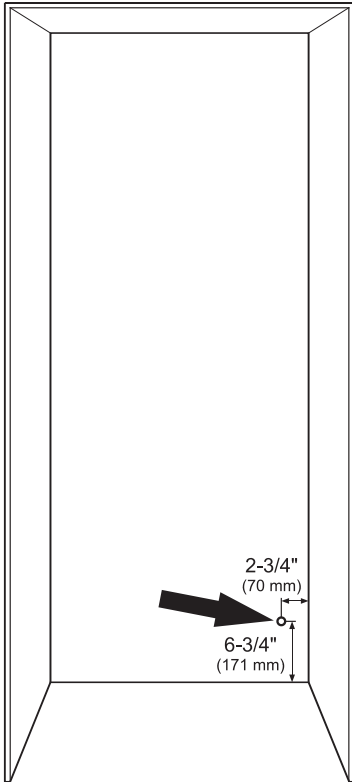
- Insert the pins supplied into the hinges from above.

This will limit the opening angle of the appliance door to 95°.

Installation and appliance dimensions

Repositioning electrical cabling and the pipework for the fresh water supply

Electrical connection



Position of power cord exit on back of appliance.

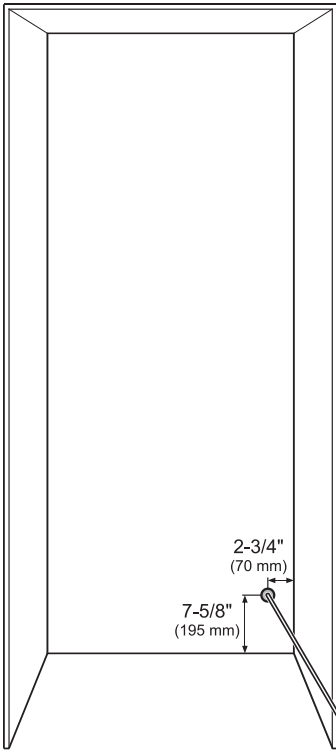
Please note when repositioning the electrical connection that the length of the power cord is 90" (2280 mm).

Do not connect the appliance to the electricity supply by an extension cord. Extension cords do not guarantee the required safety of the appliance (e.g. danger of overheating).

The outlet must be easily accessible in an emergency so that the appliance can be quickly disconnected from the electrical supply in case of an emergency.

Installation and appliance dimensions

Plumbing



For a 24" (610 mm) deep building-in niche the opening for the water line must be in the position as shown in the diagram.

The water line must be at least 31 1/2" (800 mm) long for this.

For niches deeper than 24" (610 mm) there is sufficient room for repositioning the water line, so the position given does not have to be maintained.

Make sure that the shut-off valve is still accessible after the appliance has been installed.

Installation and appliance dimensions

Dimensions and weight of cabinet doors

A stainless steel front panel for this appliance is available from specialist retail outlets or from Miele Service. Please note, however, that a stainless steel front panel is only available for flush installation (see "Flush installation").

Please note the following cabinet door requirements:

- The cabinet doors must be a **minimum** of 5/8" (16 mm) thick so that the securing bracket can be fitted.
- The cabinet doors must be a **maximum** of 3/4" (19 mm) thick.

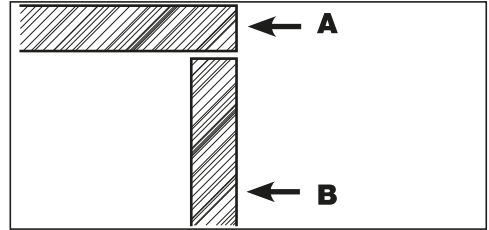
Before fitting the cabinet doors, make sure that they do not exceed the maximum permitted weight:

Max. weight of upper cabinet door (refrigerator section)	Max. weight of lower cabinet door (freezer section)
26.5 lbs (12 kg)	22.0 lbs (10 kg)

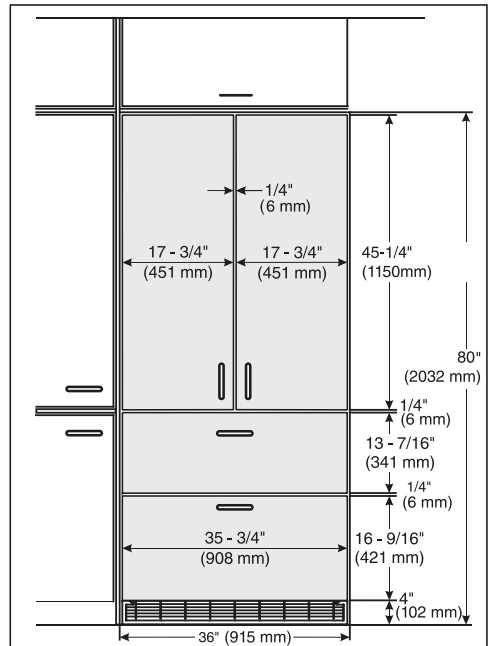
Fitted cabinet doors that exceed the permitted weight can damage the hinges, and this can affect the operation of the appliance.

Flush installation

With this type of installation the cabinet door is flush with the walls of the niche. This is the most common type of installation.



Side view, A: Built-in cabinet, B: cabinet door

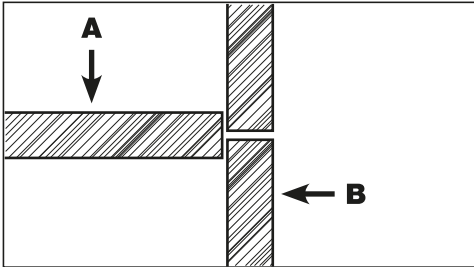


Installation and appliance dimensions

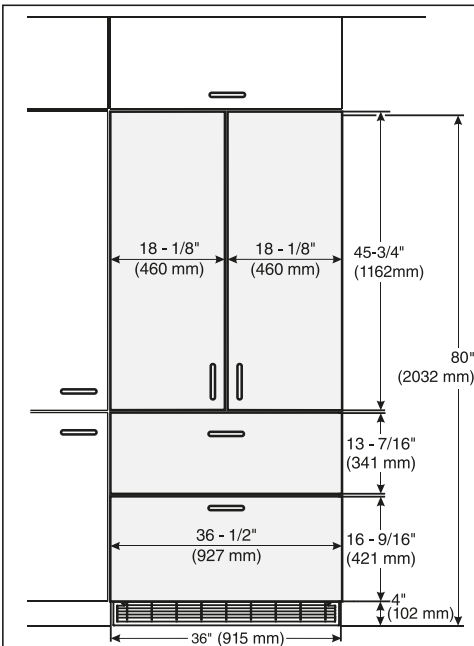
Frameless installation

With this installation type the cabinet doors are a little wider and taller, so that the gaps between the cabinet doors of the appliance and adjacent furniture are slightly covered.

For "Frameless installation" please observe a distance of at least 1/4" (6 mm) to adjacent furniture.



Side view, A: Built-in cabinet, B: cabinet door



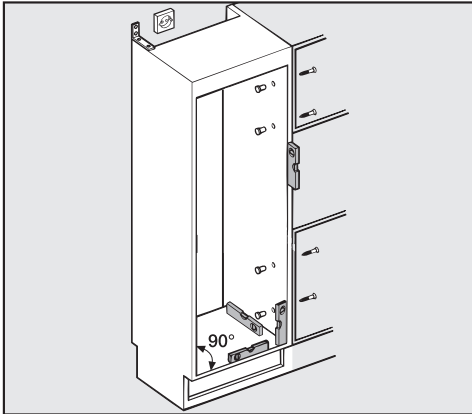
Danger of collision and damage to cabinet doors!

Do not use cabinet doors that are wider than specified!

Building in the appliance

Two people are required to install the appliance.

- Install the appliance in a stable, solid housing unit, positioned on an even and level floor.
- Secure the cabinetry against tipping.



- Align the appliance using a spirit level. The cabinet corners must be at 90° angles to each other otherwise the cabinet door will not sit straight on all 4 corners.
- The required ventilation slits must be ensured (see "Installation - Ventilation" and "Installation dimensions").

Before installing the appliance

- Before installation, remove the bag of installation and other accessories from the appliance and remove the profile strip from the outer appliance door.
- Remove the cord clips from the back of the appliance.
- Prepare the water connection for the appliance (see "Water connection").
- To protect the floor when installing the appliance, secure an off-cut of flooring or similar material to the floor in front of the installation area.

⚠ The appliance is very heavy. Keep the appliance doors shut until the appliance has been fitted and secured in accordance with these operating and installation instructions. The appliance is both large and heavy. Installation must be carried out by two people.

Load-bearing capacity of the niche floor

The floor of the space where the appliance is to be installed must be flat and level.


It must be made of strong, rigid material.


The appliance is extremely heavy when fully loaded, and that the floor it stands on must be able to bear its weight. If necessary, seek the advice of an architect or structural engineer.

Checking the installation space

- Check the installation dimensions.
- Check the position of the electrical and plumbing connections.
- Check that all adjacent cabinets / units are securely fixed to the wall.
- Check the adjacent cabinets / units for possible collisions when opening doors (door opening angle).

Preparing the niche


 Keep the doors to the appliance closed until it is fixed inside the building-in niche.

 Danger of tipping over!
Due to the sheer size and weight of the appliance, it needs to be ensured that it cannot tip forwards once it is built into the niche.

Fitting the anti-tip device

The anti-tip device ensures that the appliance is fixed securely into the building-in niche, preventing the appliance from tipping forwards.

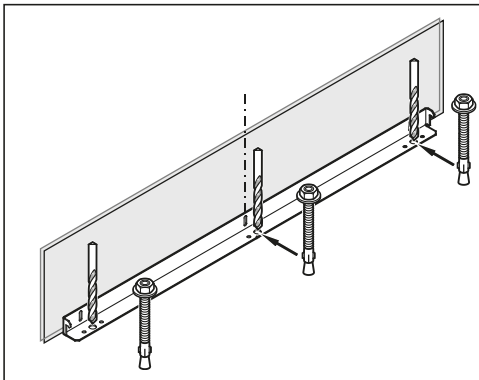
- Mark the mid line of the appliance on the back of the building-in niche. Line up the center of the anti-tip device with this line.

 Caution! The water line or power supply could get damaged.
Please ensure that neither the water line nor the power supply are located in this area, as these could be damaged during installation e.g. by screws.

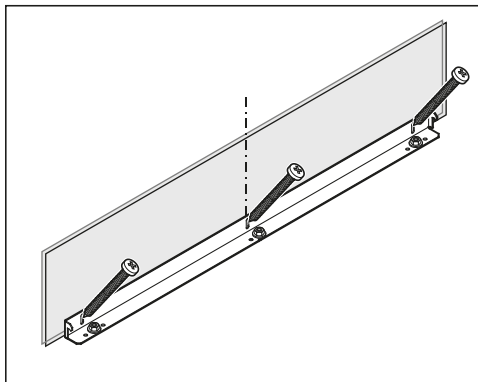
Fixing screws for different uses and types of material are supplied in the accompanying pack.
If these are not suitable for the anti-tipping device in your installation, you will need to secure it by alternative means.

Building in the appliance

Fitting the anti-tip device on a concrete floor.

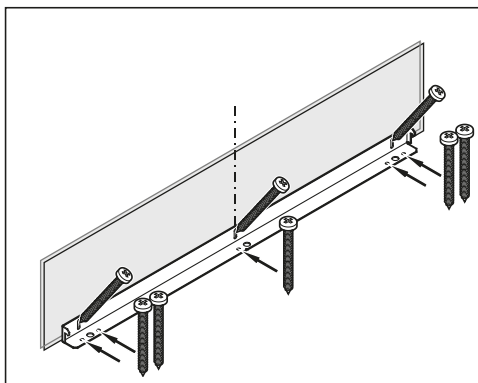


- Drill three holes in the floor to match the holes on the anti-tip device. The drill holes must have a diameter of 3/8" (10 mm) and be a little deeper than the length of the concrete bolts supplied.
- Place or screw the washers and hexagonal nuts onto each of the concrete dowels.
- Secure the anti-tip device to the floor with the concrete dowels.
- Align the anti-tip device with the center line again.
- Then use the nuts to tighten the concrete dowels.



- Now secure the anti-tip device to the wall with the three screws (1/4" x 2-1/8" / 6 x 54 mm).

Fitting the anti-tip device on a wooden floor

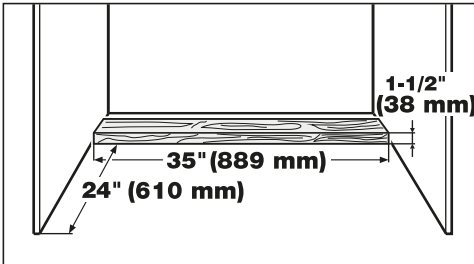


- Secure the anti-tip device to the floor with the five screws (1/4" x 2-1/8" / 6 x 54 mm). Pre-drill the holes if necessary.
- Now secure the anti-tip device to the wall with the three screws (1/4" x 2-1/8" / 6 x 54 mm).

Fitting the anti-tip device in a building-in niche deeper than 24" (610 mm)

The guarantee that the compressor plate hooks into the anti-tip device in a deeper building-in niche, a wooden beam must be secured to bridge the gap between the back of the appliance and the wall.

! The wooden beam must be securely fixed to the floor! Select screw lengths according to the thickness of the wooden beam.



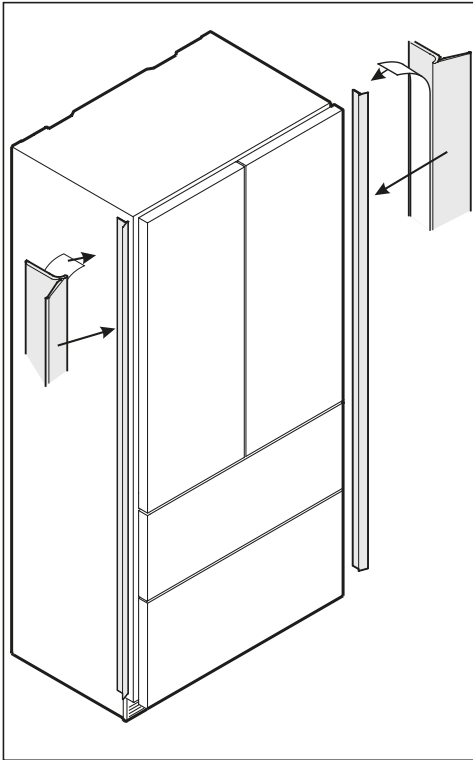
For sideways sloping floors

- Make sure that the anti-tip device is secured horizontally even with a sloping floor. Place spacers underneath if necessary.

- Match the wooden beam to the depth of the gap between the back of the appliance and the wall.
- Use the number of screws appropriate to the housing width to ensure that the wooden beam is securely fixed.
- Select screw lengths according to the thickness of the wooden beam.

Building in the appliance

Securing the covers



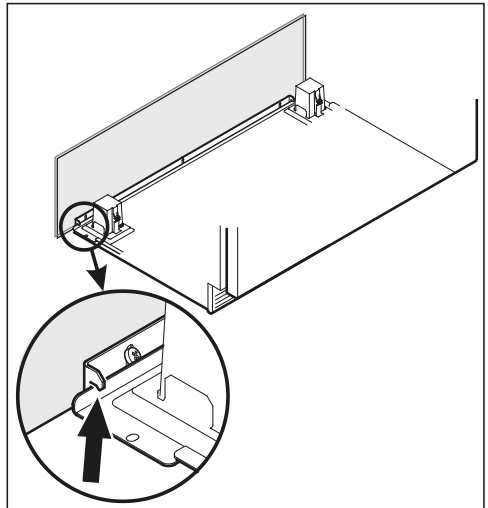
- Stick the cover strips supplied onto both sides of the appliance.

The cover strips protect the appliance from damage when it is being pushed into the niche.

- Now prepare the water connection for the appliance (see "Water connection").

Pushing the appliance into the niche

⚠ Caution! Risk of damage!
Push the appliance into the niche, taking care not to damage the power cord and water connections.



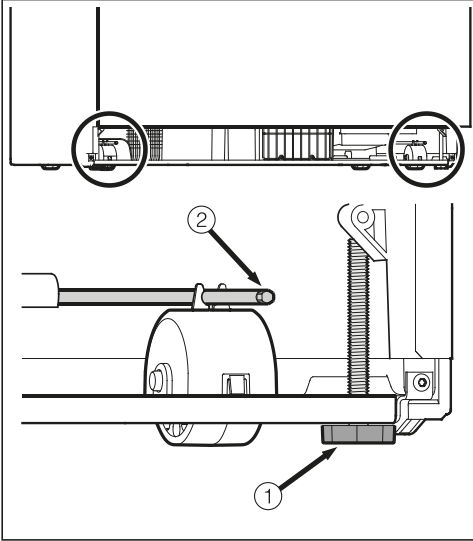
- Push the appliance far enough into the niche so that the compressor bearer plate engages with the anti-tip device.

⚠ Caution! Risk of appliance tipping over!

The appliance is only secure and prevented from tipping over when the compressor bearer plate is hooked into the anti-tip device.

- Now prepare the water connection for the appliance (see "Water connection").

Aligning the appliance

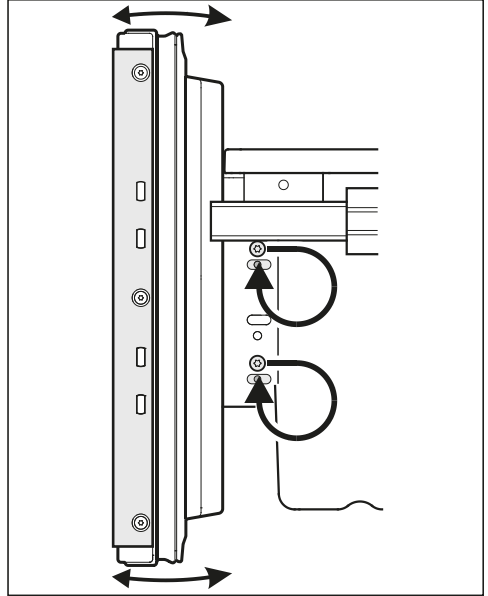


- Align the appliance at the front via adjustable feet ① using the spanner supplied, so that it stands upright.
- Also align the appliance at the back by moving adjusting rods ② with a screwdriver or with the hexagonal key supplied, until it is standing straight.

Caution! Risk of tipping over.
The adjustable feet must stand on the floor, otherwise the appliance could tip forwards!

Aligning the freezer drawer fronts

- The freezer drawer fronts can be aligned if necessary.



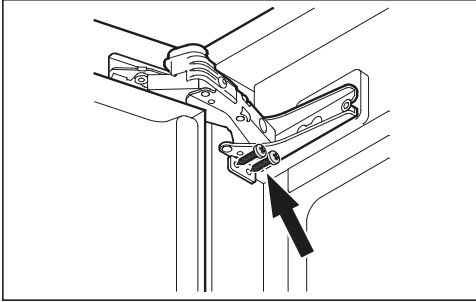
Side view of freezer drawer pulled out

- Move the screws on the right- and left-hand sides of the freezer drawers into the slots below.
- Align the drawer front.
- Now tighten the screws.

Building in the appliance

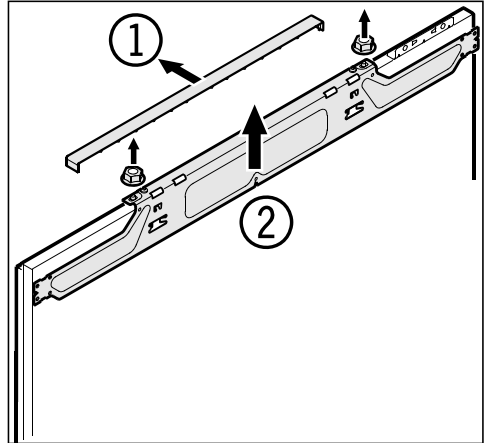
Securing the appliance in the niche

- Remove the covers from the hinges on both sides.

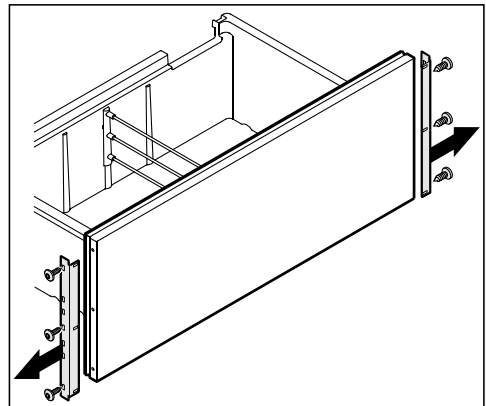


- Secure the appliance into the cabinet with two screws each, top and bottom, above the hinge of both of the refrigerator section doors.

Remove the fixing bracket

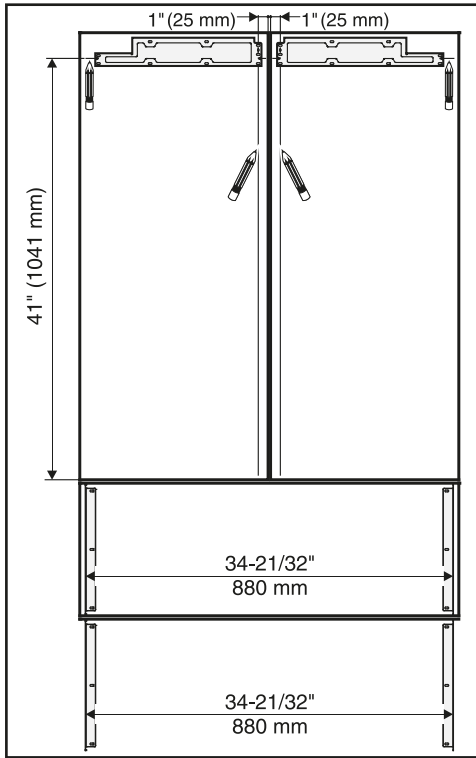


- Remove the fixing bracket covers ① from both refrigerator section doors, then screw them to both brackets ②.
- Place the nuts on one side as these will be required for securing the refrigerator section cabinet doors.

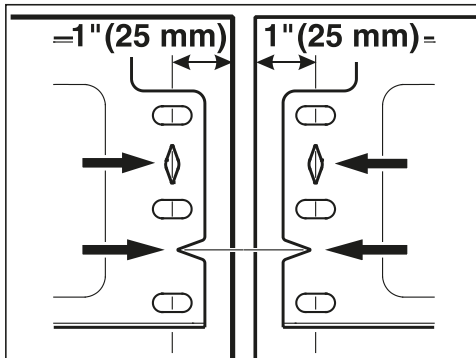


- Loosen the covers on both sides and unscrew both fixing brackets from the freezer drawers.

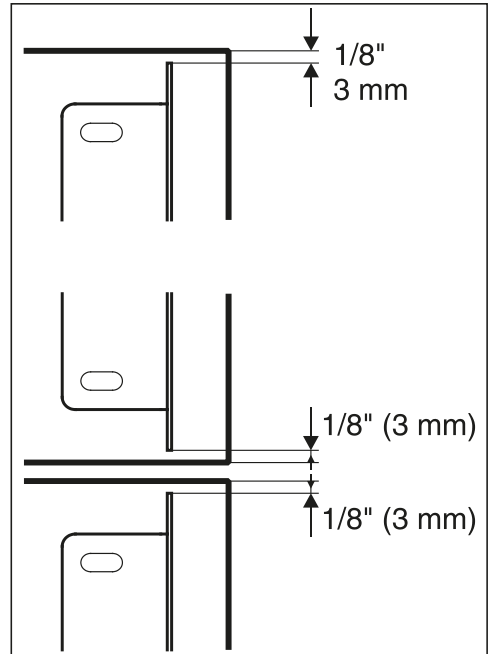
Fixing the fixing brackets to the cabinet doors



- Lightly draw thin lines with a pencil on the inside of the cabinet doors for the refrigerator section doors, as shown in the diagram.



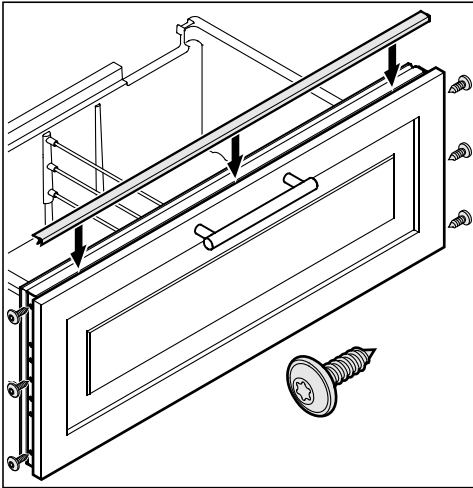
- Lay the fixing brackets on the inside of the cabinet doors. Align the brackets centrally and on the lines you have drawn.
- Secure each bracket to the cabinet doors for the refrigerator section with at least six screws $3/16"$ x $5/8"$ (4 x 16 mm).



- Secure each bracket to the furniture fronts of the freezer drawers with three screws ($3/16"$ x $5/8"$ / 4 x 16 mm).

Building in the appliance

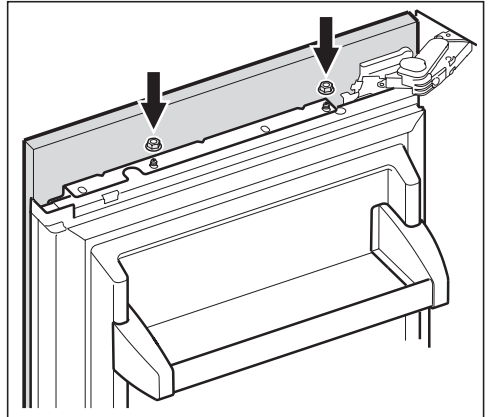
Securing the cabinet fronts to the freezer drawers



- Pull out each drawer and secure the cabinet front on both sides with the screws 1/8" x 1/2" (3.5 x 13 mm). These are the same screws that were previously used to attach the fixing bracket.
- Close the drawer front and check whether the fronts are evenly aligned. Use the screws to correct the position of the drawer fronts as necessary.
- Then close the gap between the freezer drawer and cabinet front if necessary with the self-adhesive cover strips supplied. To do this, first remove the protective foil from the strips.

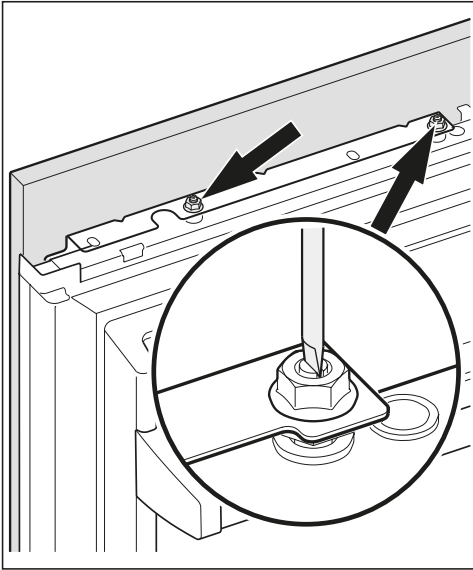
Securing the cabinet door to the refrigerator door

The following is only an instruction for fitting one cabinet door. Repeat the fitting instructions for the second cabinet door.

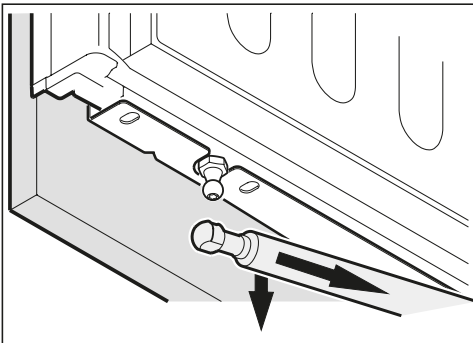


- Open the refrigerator door and hang the cabinet door on the adjusting bolts from above.
- Screw the nuts loosely onto the adjusting bolts.
- Close the door and check the distance between the door and adjacent furniture.

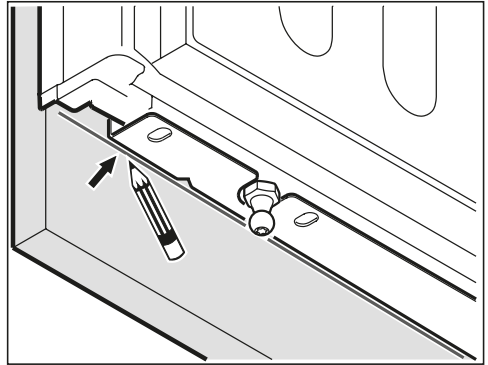
Building in the appliance



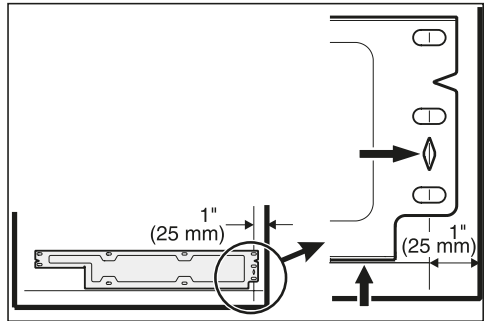
- Loosen the washers again and adjust the bolts to align the cabinet door vertically with adjacent furniture.



- Then the door closing damper must be removed in order to prepare the fitting at the bottom of the cabinet door.
- Firmly grasp the door closing damper and pull it downwards. The door damper will contract in its extended state!

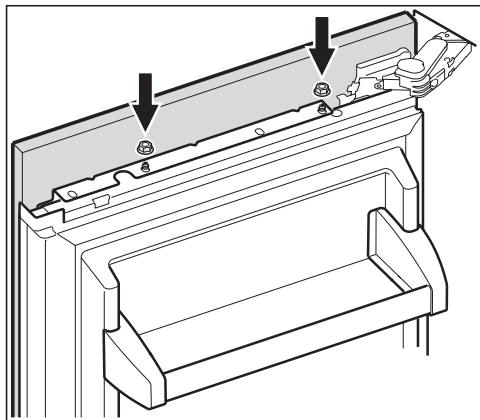


- Draw a line along the lower edge of the fixing bracket.
- Take the cabinet door off the refrigerator door.

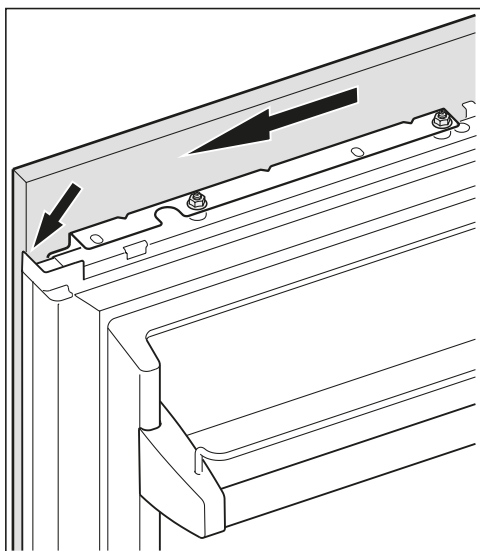


- Remove the lower bracket from the refrigerator door.
- Align the fixing bracket on the cabinet door corresponding to the lines and secure the bracket with a minimum of 6 screws 3/16" x 5/8" (4 x 16 mm).
- Open the refrigerator door and hang the cabinet door on the adjusting bolts again from above.

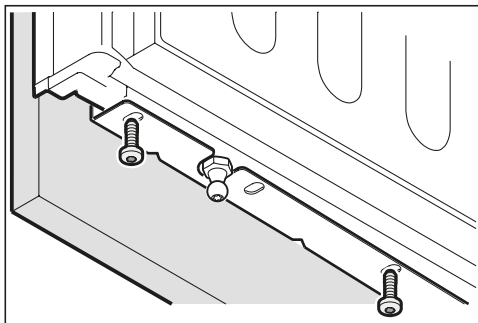
Building in the appliance



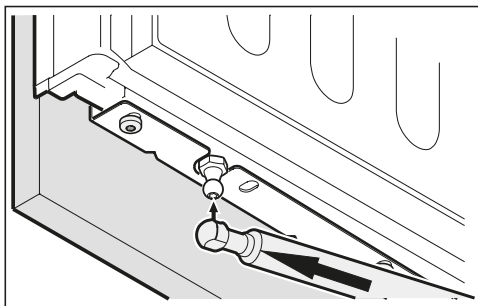
- Screw the nuts onto the adjusting bolts but do not tighten them yet.



- Align the cabinet door flush with the exterior.
- Now tighten the nuts on the adjustment bolts.

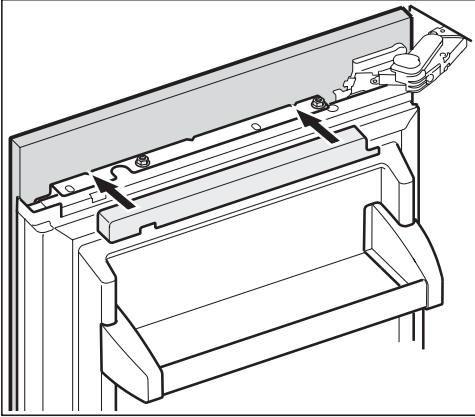


- Secure the cabinet door at the bottom with the same screws that were previously used to attach the lower bracket to the refrigerator door.



- Pull the soft-close mechanism so that it extends and hook it onto the ball joint again.

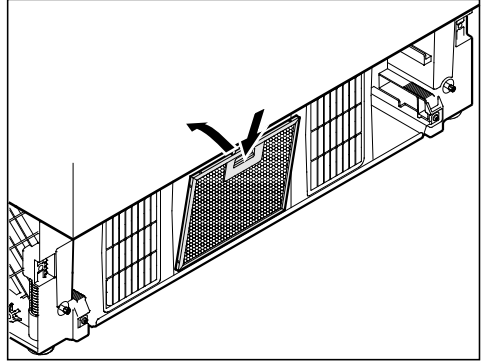
Building in the appliance



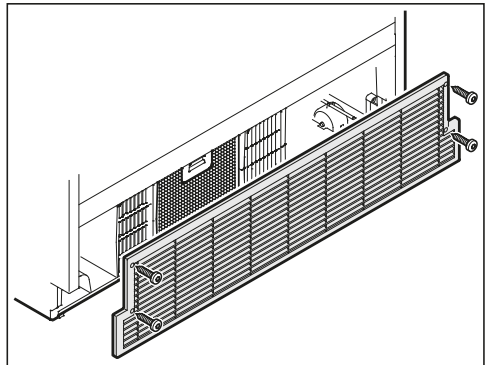
- Put the cover back into place.
- Take care not to trap any cords located at the sides.
- Check the refrigerator section doors and adjust them if necessary using the screws in the hinges.

Fitting the air filter and ventilation grille

- Pull out the lower freezer drawer completely.
- Carefully remove the protective foil from the air filter supplied.




- Insert the air filter into the bottom left of the appliance plinth, press the tab downwards and click it into place.



- Now screw on the ventilation grille.

Building in the appliance

 If the ventilation slits are not kept free and unobstructed the compressor will switch on more often and will run for longer.

This can cause higher energy consumption and to an increased compressor operating temperature, which can result in damage to the compressor.

Use only the grille with the ventilation slits as supplied for this appliance!

Keep the ventilation slits clear and unobstructed at all times. They must also be regularly cleaned of dust.

Please have the model and serial number of your appliance available when contacting Technical Service.

The Miele logo consists of the word "Miele" in a bold, white, serif font, set against a solid black rectangular background.

U.S.A.

Miele, Inc.

National Headquarters

9 Independence Way
Princeton, NJ 08540
Phone: 800-843-7231
Fax: 609-419-4298
www.mieleusa.com

Technical Service & Support

Phone: 800-999-1360
Fax: 888-586-8056
TechnicalService@mieleusa.com

International Headquarters

Miele & Cie. KG
Carl-Miele-Straße 29
33332 Gütersloh
Germany

Canada

Importer
Miele Limited

Headquarters and Miele Centre

161 Four Valley Drive
Vaughan, ON L4K 4V8
www.miele.ca

Customer Care Centre

Phone: 800-565-6435
905-532-2272
customercare@miele.ca

KFNF 9955 iDE



en-US

M.-Nr. 10 450 600 / 08