

KFMC 3836 L

30" MasterCool Bottom Mount

Features

- FoodView – Everything always in view
- Longlife AirClean System – Fresh food without unpleasant odors
- IceMaker – Ice cubes for cool drinks
- Water dispenser – Chilled water at any time
- BrilliantLight Pro – Practical illumination with elegant LEDs
- M Touch Pro – Convenient operation with the tap of a finger
- SmartLight – Individually customizable lighting

Included Accessories

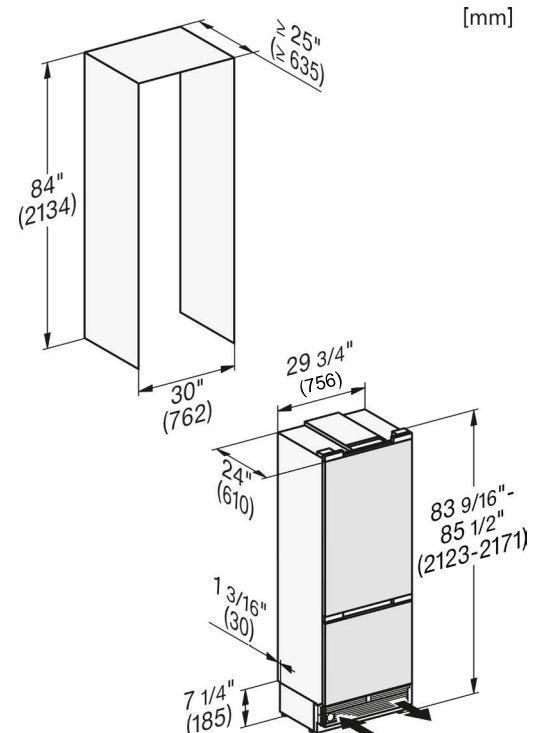
- Ice scoop
- Longlife AirClean filter
- Water filter



Material #	12489330
-------------------	----------

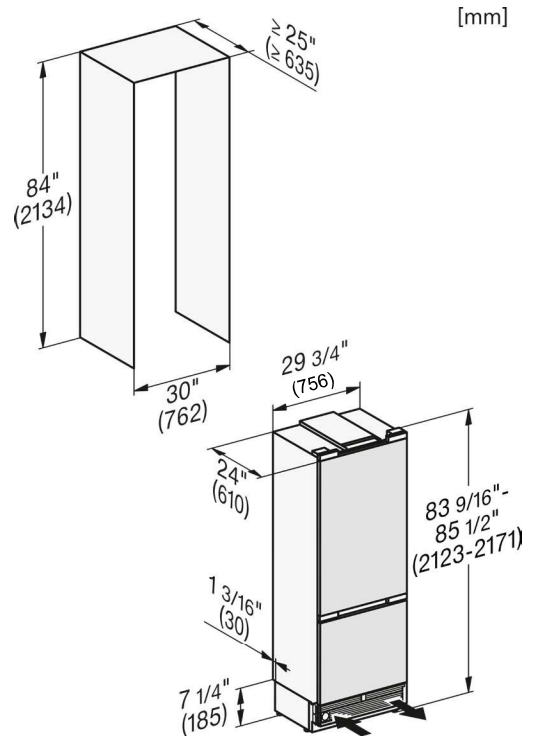
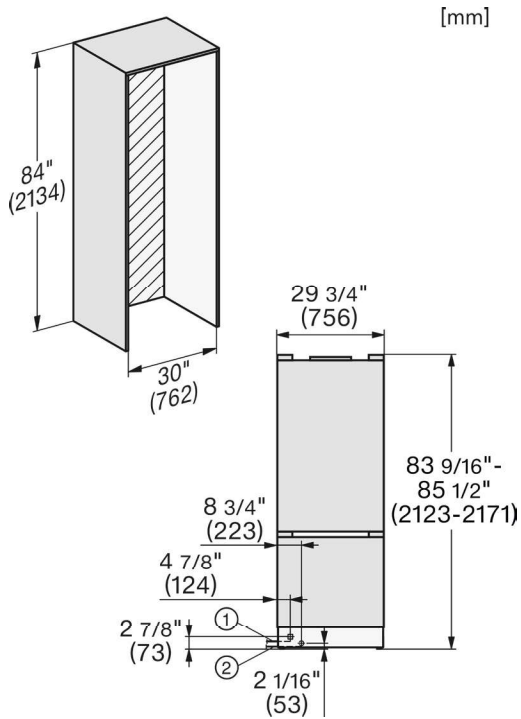
SPECIFICATIONS		
Overall Unit Dimensions	29 3/4" (756 mm) W x 83 9/16" - 85 1/2" (2123 - 2171 mm) H x 24" (610 mm) D <i>(Depth does not include door panel)</i>	
Niche		
Minimum Cabinet Niche Opening	30" (762 mm) W x 84" (2134 mm) H x 25" (635 mm) D <i>(flush installation)</i>	30" (762 mm) W x 84" (2134 mm) H x 24" (610 mm) D <i>(proud installation)</i>
Connection		
Plumbing and Electrical	Required Power Supply: 110–120 V, 60 Hz. Total Amps: 15 Amps. Connecting cable: 118" (3.0 m), detachable. Cold water connection required. Water pressure: 29 to 116 psi.	

Product and Cutout Dimensions

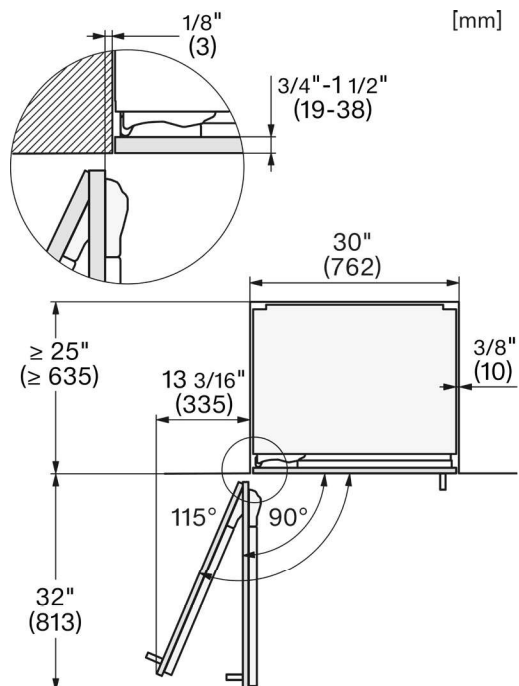


Flush Installation

Product and Cutout Dimensions

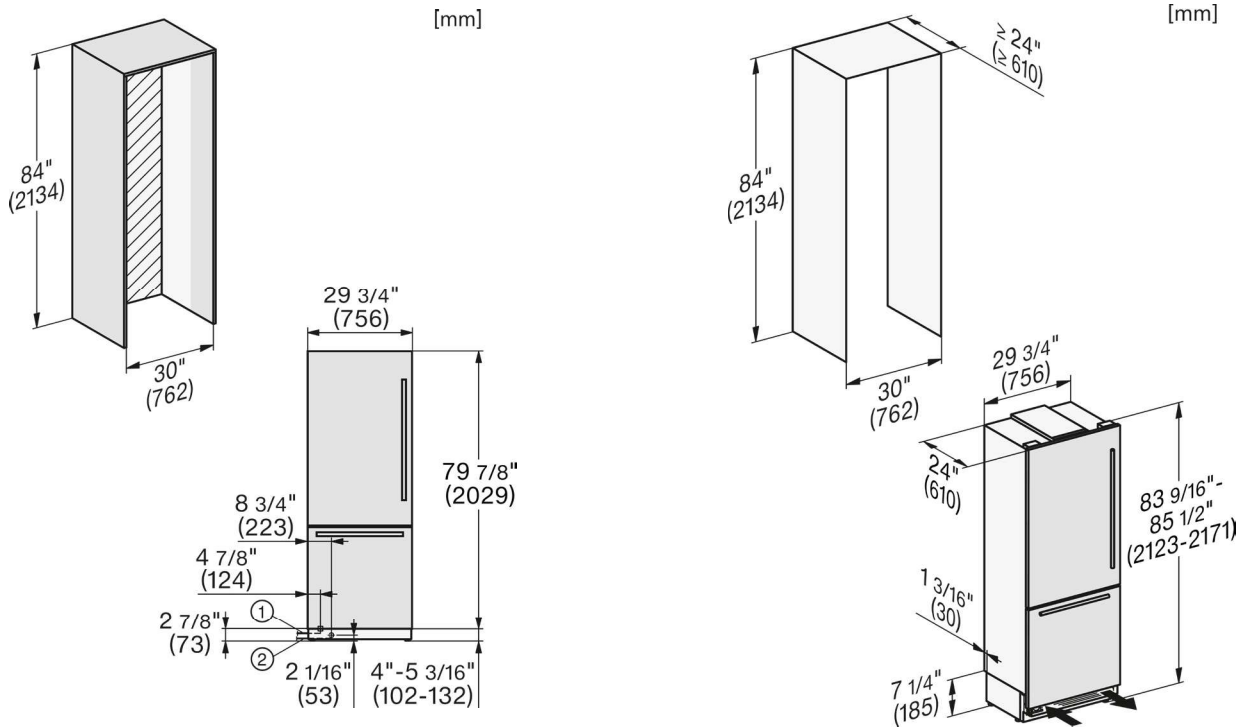


Top View

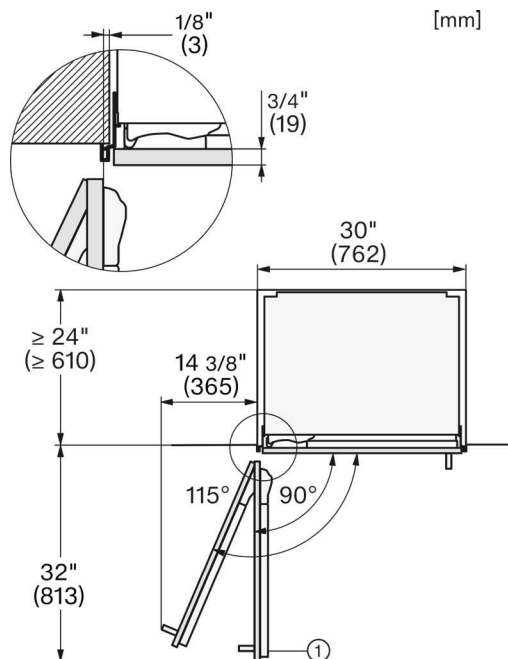


Proud Installation

Product and Cutout Dimensions



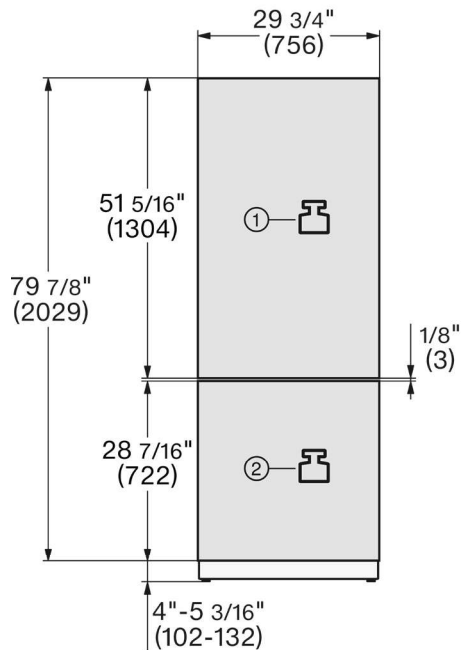
Top View



Additional Dimensions

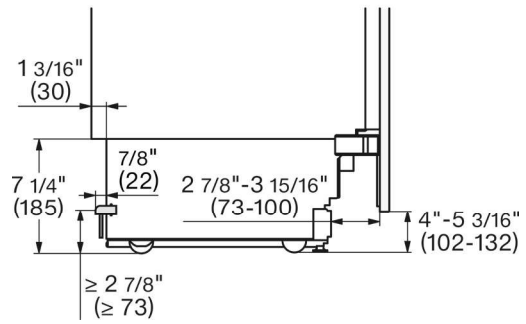
Panel Details

[mm]



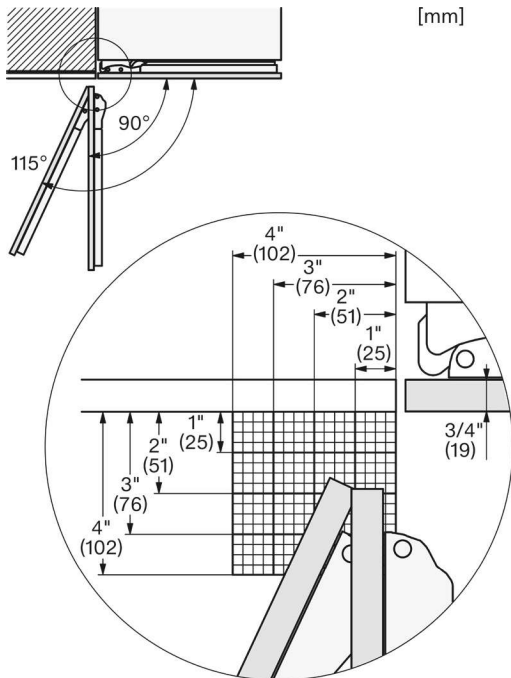
Side View Bottom

[mm]



Hinge Details

[mm]



Frame Details

[mm]

