

Fully Integrated
36" Bottom Mount

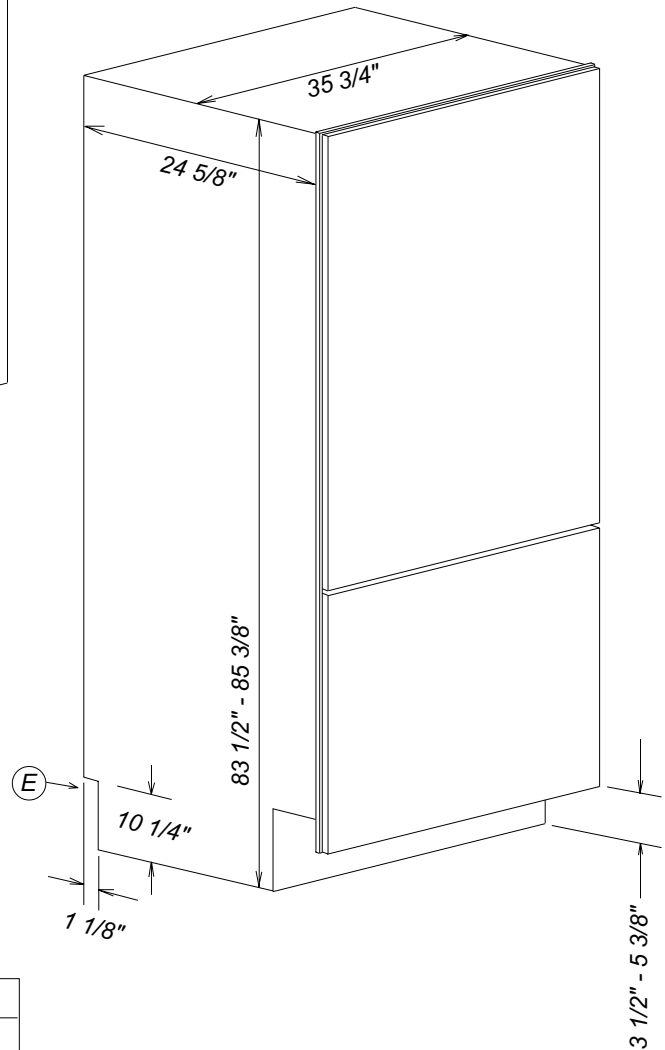
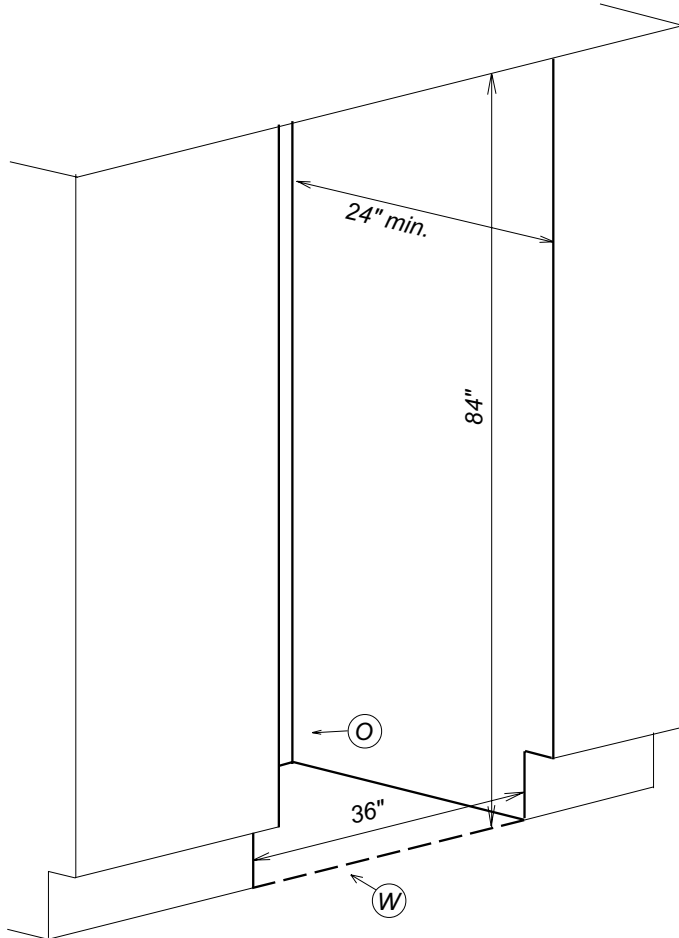
KF 1913 SF / KF 1903 SF



Fully Integrated 36" Bottom Mount KF 1913 SF / KF 1903 SF



FOR PROUD INSTALLATION



Location Codes

- E - 5 foot - 120 Volt - 15 Amp 3-wire molded plug power supply connects lower left rear*
- O - Standard NEMA 5-15 Duplex Outlet - locate less than 9" above finished floor*
- W - 1/4" flexible water line - tape to floor*

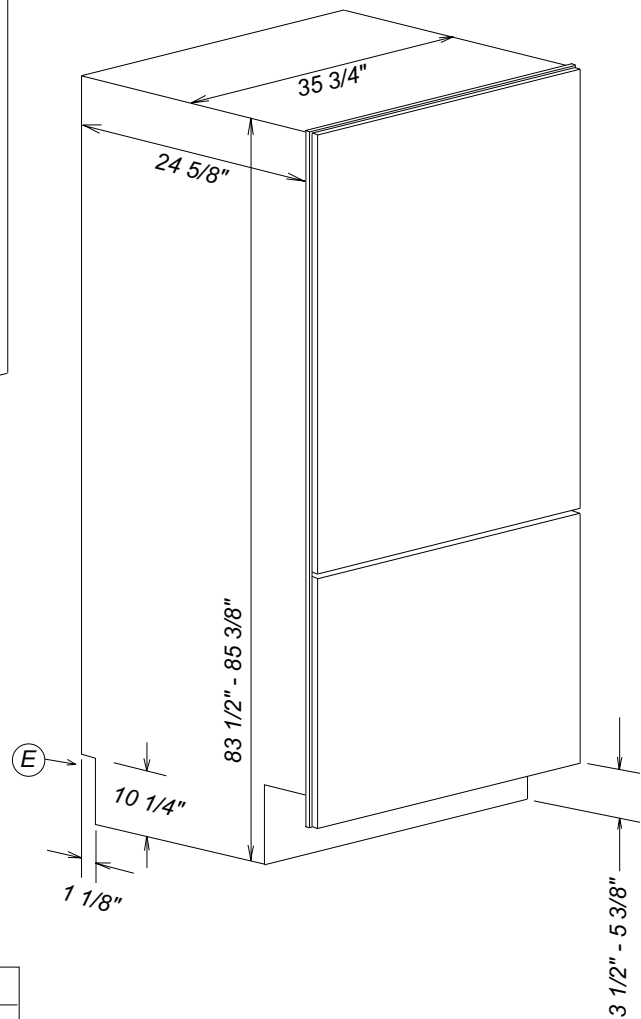
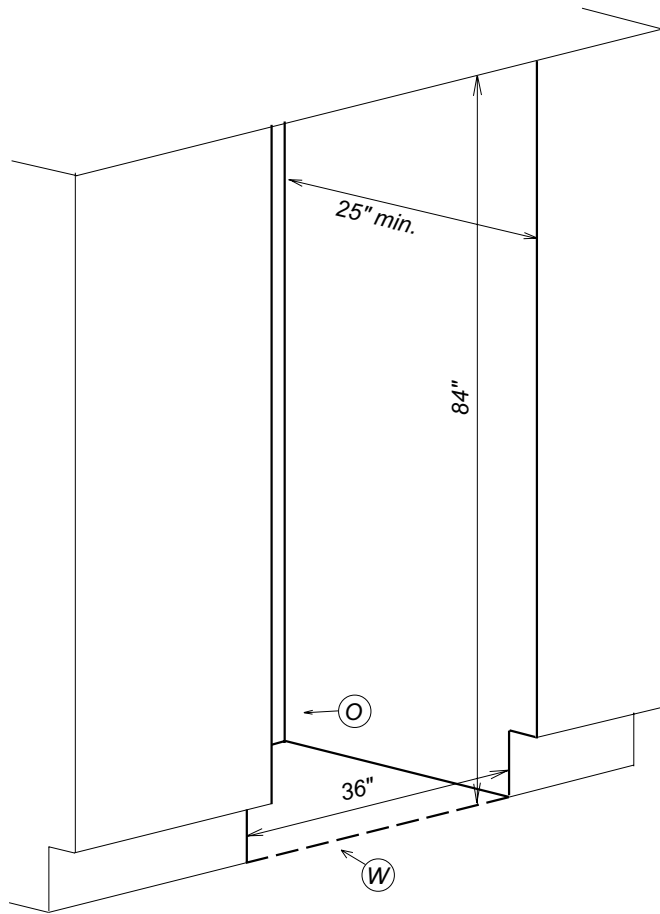
Notes

- All Installations must be done in accordance with local codes*

Fully Integrated 36" Bottom Mount KF 1913 SF / KF 1903 SF



FOR FLUSH INSTALLATION

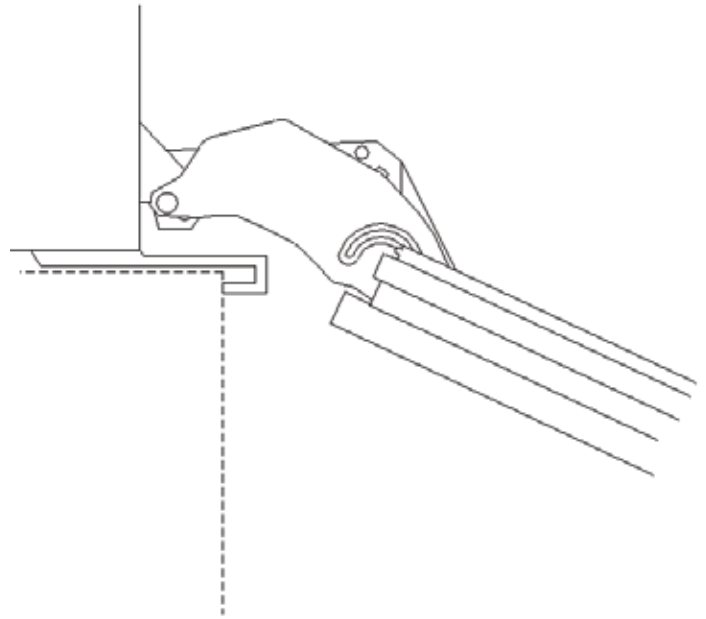
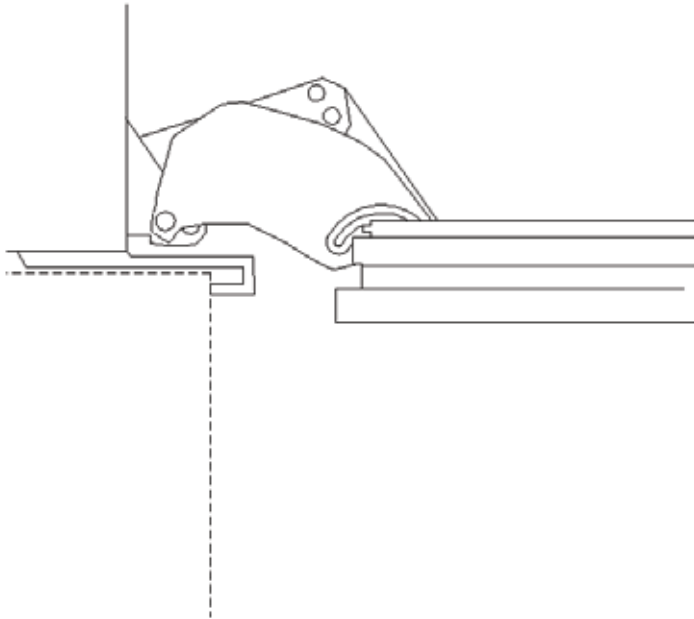


| Location Codes |
|---|
| E - 5 foot - 120 Volt - 15 Amp 3-wire molded plug power supply connects lower left rear |
| O - Standard NEMA 5-15 Duplex Outlet - locate less than 9" above finished floor |
| W - 1/4" flexible water line - tape to floor |
| Notes |
| • All Installations must be done in accordance with local codes |
| • Sides of adjoining cabinets should be filled (flush to frame) to insure proper fit and finish |

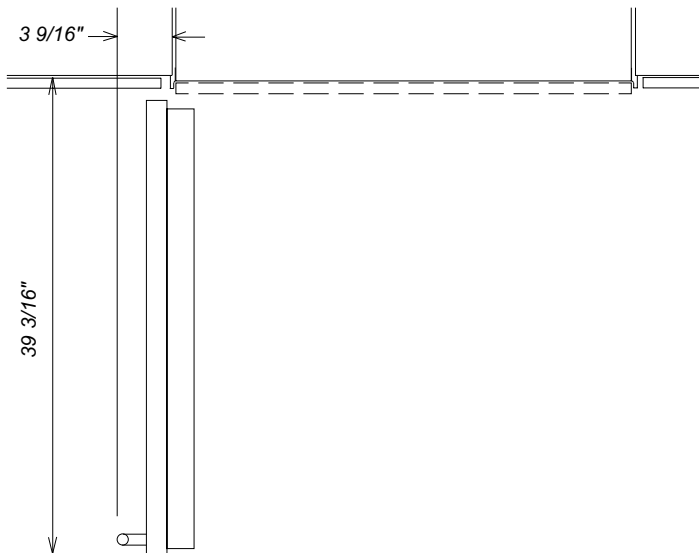
HINGING DETAILS

90° Door

115° Door



Door Swing



Door Swing

