

Fully Integrated  
30" Bottom Mount

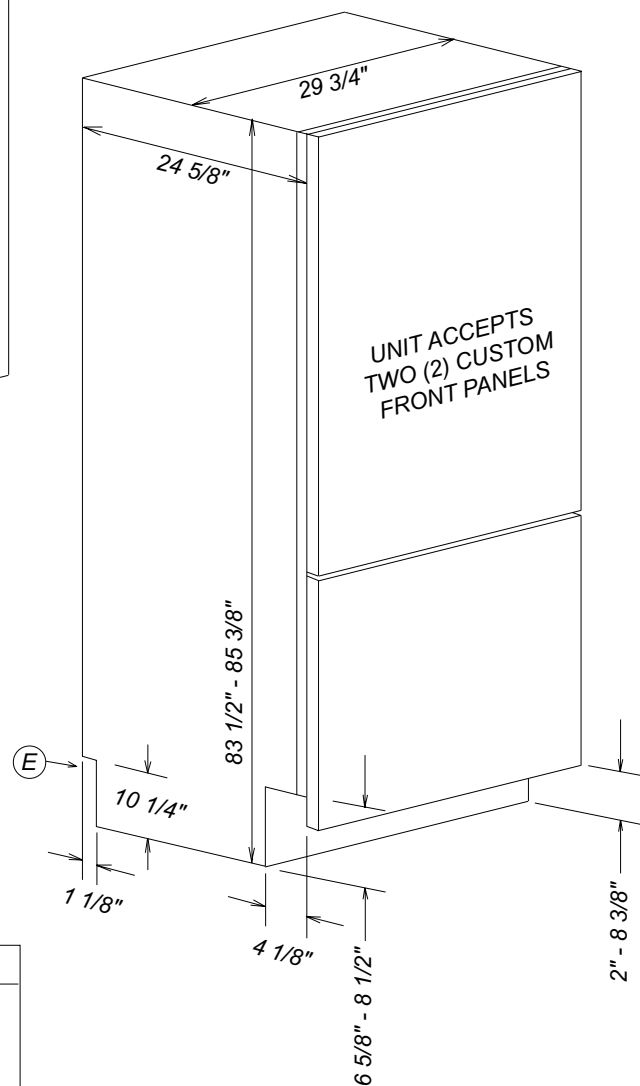
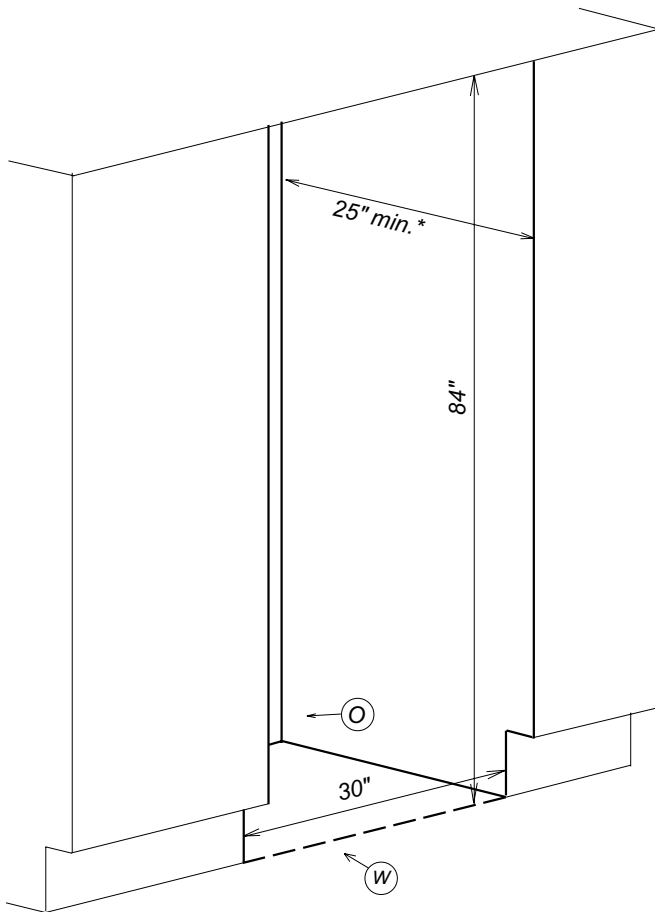
KF 1813 Vi / KF 1803 Vi



# Fully Integrated 30" Bottom Mount KF 1813 Vi / KF 1803 Vi



## FOR FLUSH INSTALLATION



### Location Codes

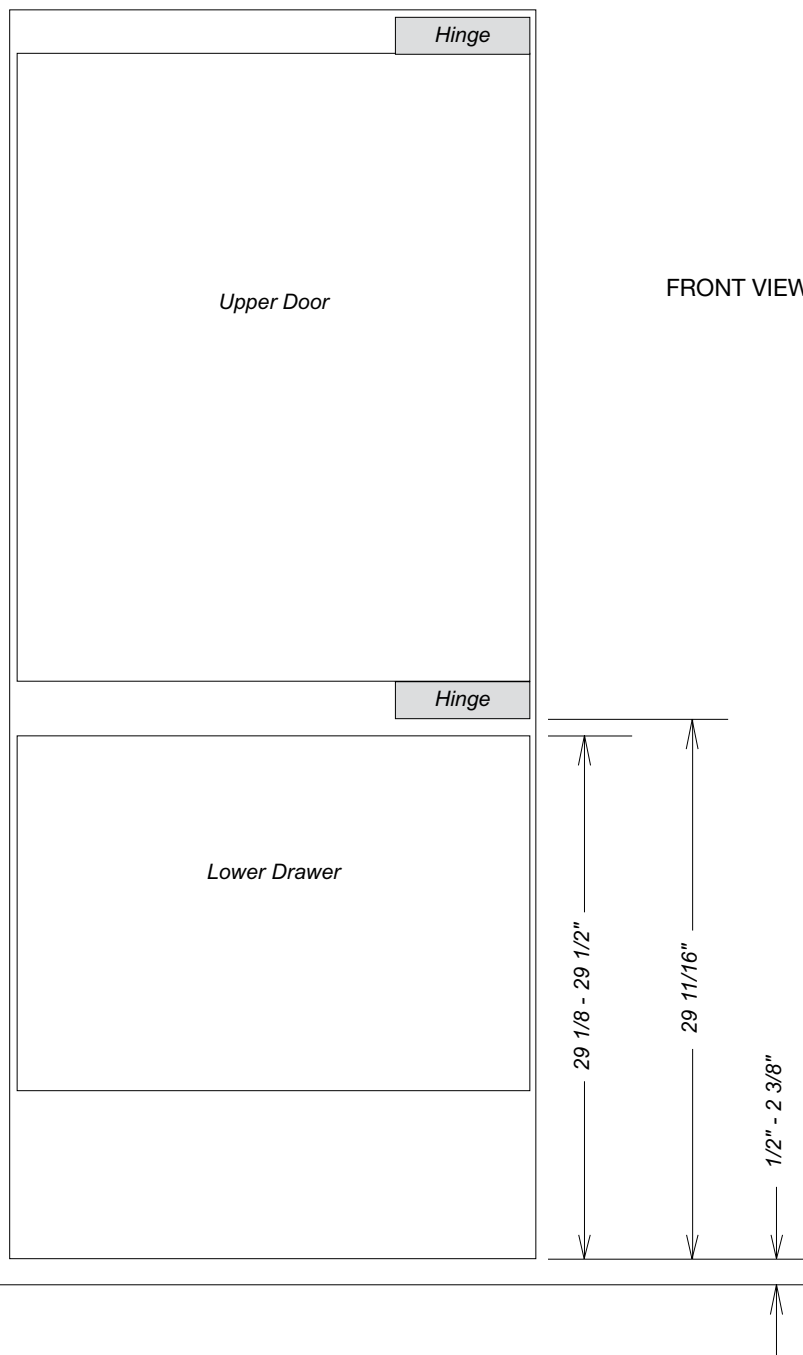
- E - 5 foot - 120 Volt - 15 Amp 3-wire molded plug power supply connects lower left rear
- O - Standard NEMA 5-15 Duplex Outlet - locate less than 9" above finished floor
- W - 1/4" flexible water line - tape to floor

### Notes

- All Installations must be done in accordance with local codes
- Sides of adjoining cabinets should be filled (flush to frame) to insure proper fit and finish
- For Proud Installation - please adjust accordingly

\* Depth assumes a 3/4" panel, please adjust according to custom panel thickness

LOWER HINGE LOCATION



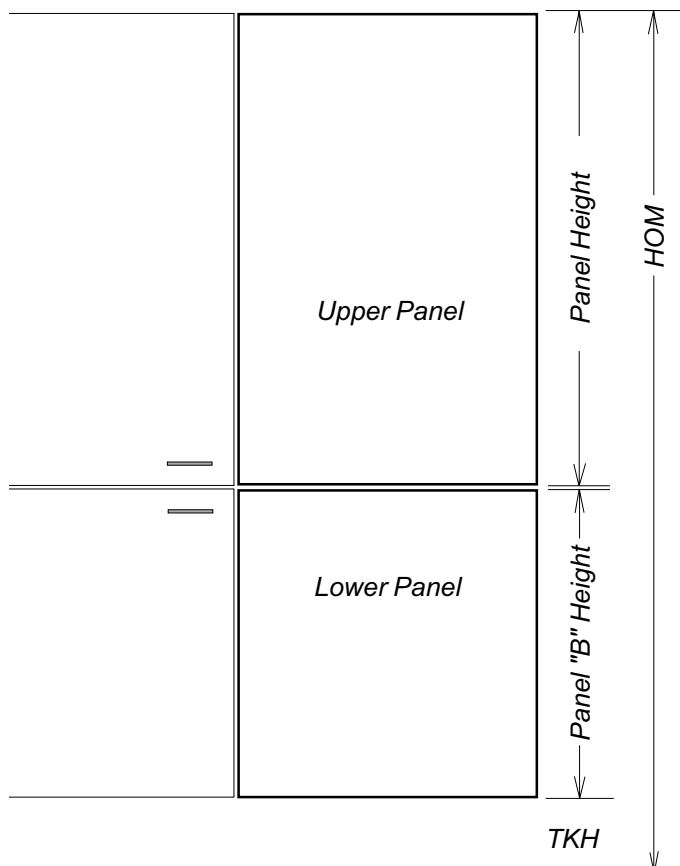
# Fully Integrated 30" Bottom Mount KF 1813 Vi / KF 1803 Vi



## CUSTOM PANEL INSTALLATIONS

**These units do not come equipped with a front panel.** They are designed to accept a custom door panel supplied by the cabinet maker. Miele has a unique panel integration system which allows the panels to align with the surrounding cabinets.

Panel size is determined in the following manner:



**Width:** 29 3/4" in all cases  
**Thickness:** Minimum 3/4" outside frame

**Standard Upper Panel Height:** 53 5/16"

**Note:** Finish back side of panels to insure appearance  
Panel may extend above unit. This is **not** considered in height calculation

**Upper Maximum panel weight:** 103.6 Pounds

**Lower Panel Height:** Use the following calculation:

**Panel Height** = HOM - 53 9/16 - TKH

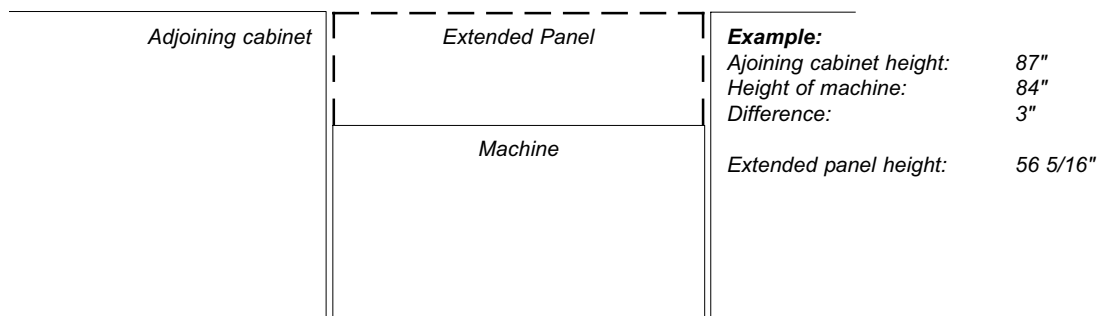
**HOM** = Total height of machine. Can be adjusted to match adjoining cabinets - **typically 84"**  
HOM is adjustable between 83 1/2" - 85 3/8"

**TKH** = Toe-kick height (2" - 8 3/8")

**Lower Maximum panel weight:** 22 Pounds

## Upper Panel Notes

If the adjoining cabinets are taller than the height of machine (HOM) - the upper panel may be extended accordingly. Find the difference between height of the adjoining cabinets and the height of machine (HOM) and add to 53 5/16"



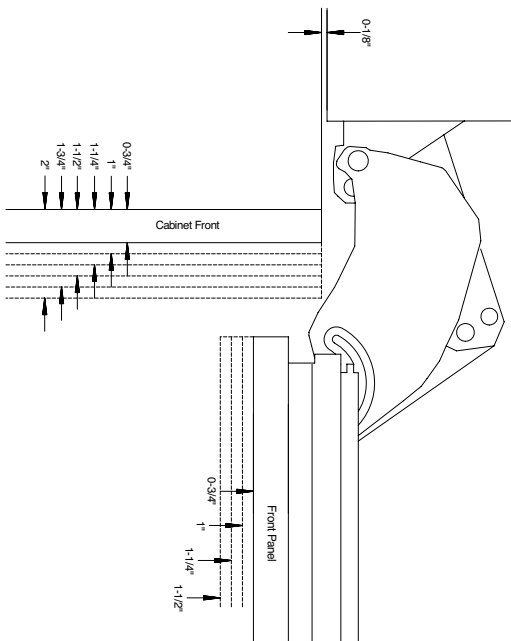
# Fully Integrated 30" Bottom Mount KF 1813 Vi / KF 1803 Vi



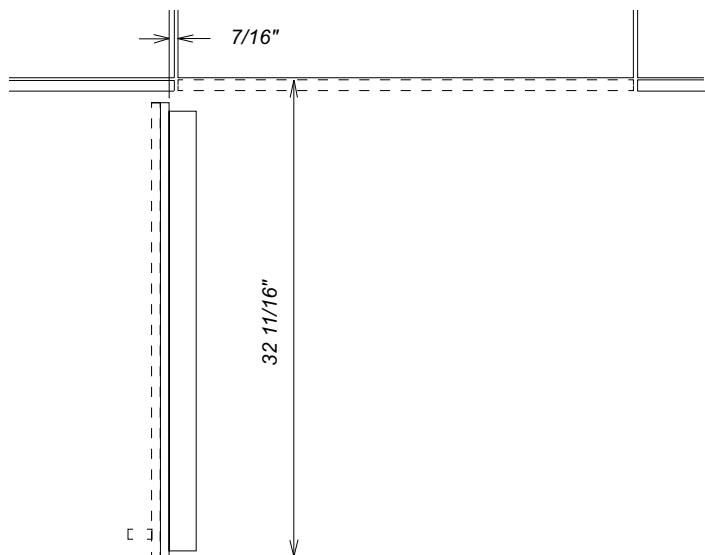
## HINGING DETAILS

### 90° Door

Thickness options



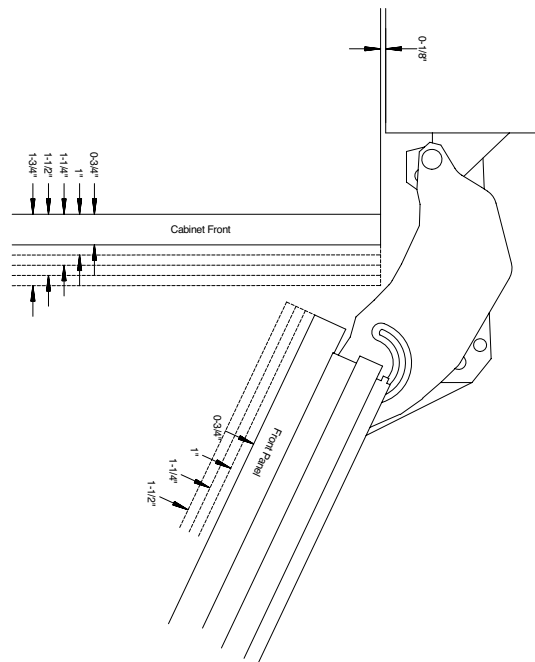
Door Swing



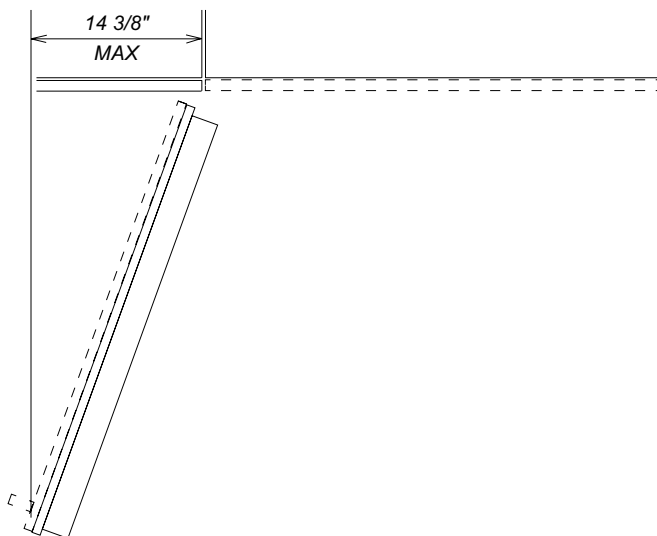
**NOTE:** Additional space needed depending on thickness of front panels and handle used

### 115° Door

Thickness options



Door Swing



**NOTE:** Additional space needed depending on thickness of front panels and handle used