

# INO™ / KEF-15701

## Single-Handle Basin Bathroom Faucet

Chrome / Oil Rubbed Bronze / Brushed Nickel Finishes

# Kräus®

SPECIFICATION SHEET

### Material

Body: Brass  
Handle: Brass  
Waterway: Brass

### Faucet Type

Single Lever Basin

### Cartridge

Brand: Flühs  
Size: 25mm  
Style: Lever

### Mounting

Holes: Single Hole  
Type: Brass Nut

### Waterlines

Flexible  
Connections: 3/8"  
Length: 24"  
Materials: Braided Stainless Steel  
Included

### Flow Guide

Name: Kraus Proprietary Laminar Flow  
Flow Rate: 1.2gpm (4.5L/min) @ 60 psi

### Dimensions

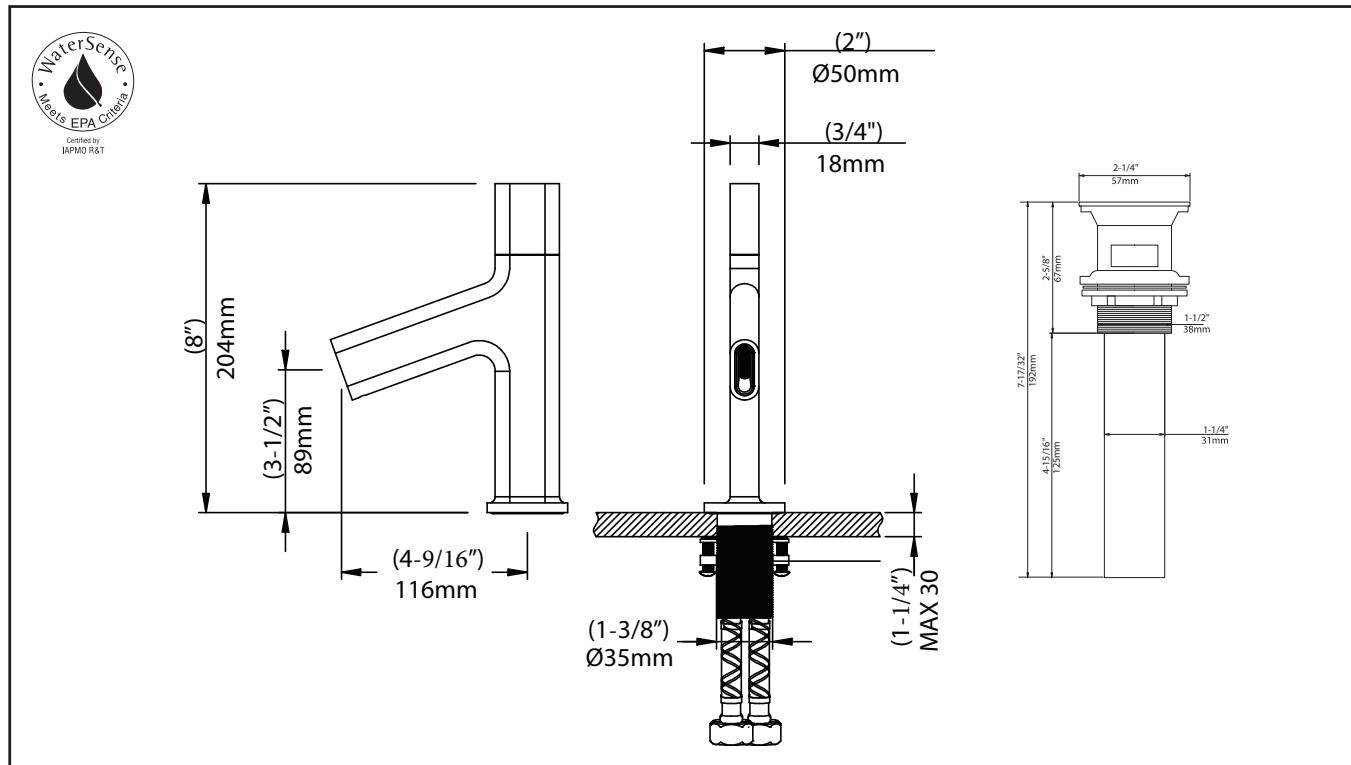
Faucet Dimensions: 8" x 4 9/16" x 2"

### Accessories Included

Grid Drain w/ overflow

Kraus Limited Lifetime Warranty: See website for details [www.kraususa.com](http://www.kraususa.com)

1.800.775.0703 / [customerservice@kraususa.com](mailto:customerservice@kraususa.com)



Codes / Standards: Meets ASME A112.18.1/CSA B125.1, NSF/ANSI Standard 61 certified by IAPMO, NSF/ANSI Standard 372 certified by IAPMO, CAL GREEN, EPA

REV. December 3, 2016