

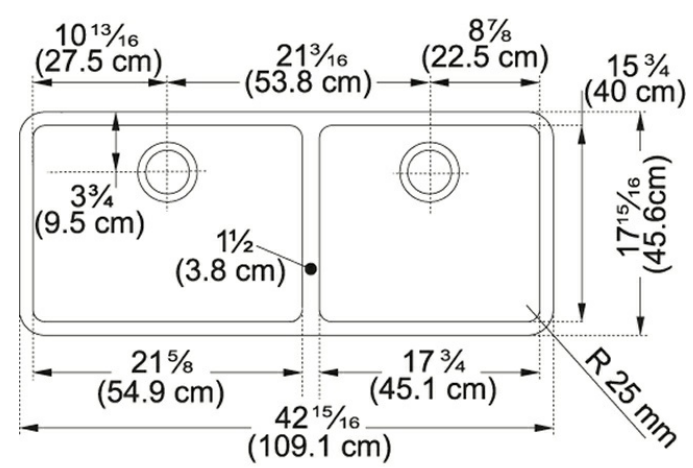
Kubus KBX12043 Stainless Steel

Kubus models feature straight lines and tight radius corners for a fresh new aesthetic. Available in double undermount configurations or as individual sinks.

Product Picture



Technical Drawing



Product Dimensions

Length overall	42 15/16"
Width overall	17 15/16"
Length of large bowl	21 5/8"
Width of large bowl	17 15/16"
Depth of large bowl	9 1/16"
Length of small bowl	17 3/4"
Width of small bowl	17 15/16"
Depth of small bowl	9 1/16"
Minimum Cabinet Size	48"

General Information

Type of Material	18 Gauge Stainless Steel
Number of Bowls	2
Installation Clips	Yes
Cut-Out Template	Yes
Where to buy	Showroom

Article Numbers

FUN#	122.0073.551
US Part Number	KBX12043

