

KBG-UN1-27

Stainless Steel Kitchen Sink Bottom Grid

Grid Dimensions

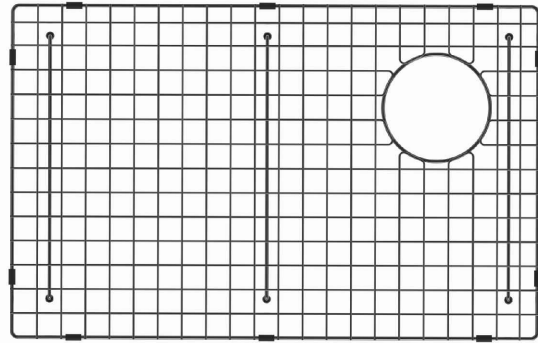
Overall Dimensions: 24 5/8" x 15 5/8" x 7/8"

Features

- Commercial grade stainless steel construction
- For Use with the KWU110-27 and KWU110-27/PGM kitchen sinks
- Protects bottom of sink from daily wear and tear
- Rubber feet provide additional protection

Available Finishes

- Stainless Steel
- PVD Gunmetal



Warranty

Kraus One Year Limited Warranty

see website for details www.kraususa.com

