

## KBG-UN1-27

### Stainless Steel Kitchen Sink Bottom Grid

#### Grid Dimensions

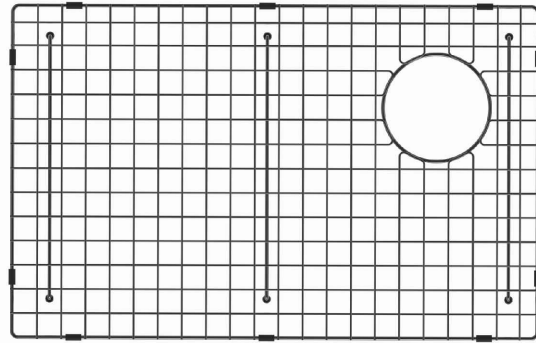
Overall Dimensions: 24 5/8" x 15 5/8" x 7/8"

#### Features

- Commercial grade stainless steel construction
- For Use with the KWU110-27 and KWU110-27/PGM kitchen sinks
- Protects bottom of sink from daily wear and tear
- Rubber feet provide additional protection

#### Available Finishes

- Stainless Steel
- PVD Gunmetal



#### Warranty

Kraus One Year Limited Warranty

see website for details [www.kraususa.com](http://www.kraususa.com)

