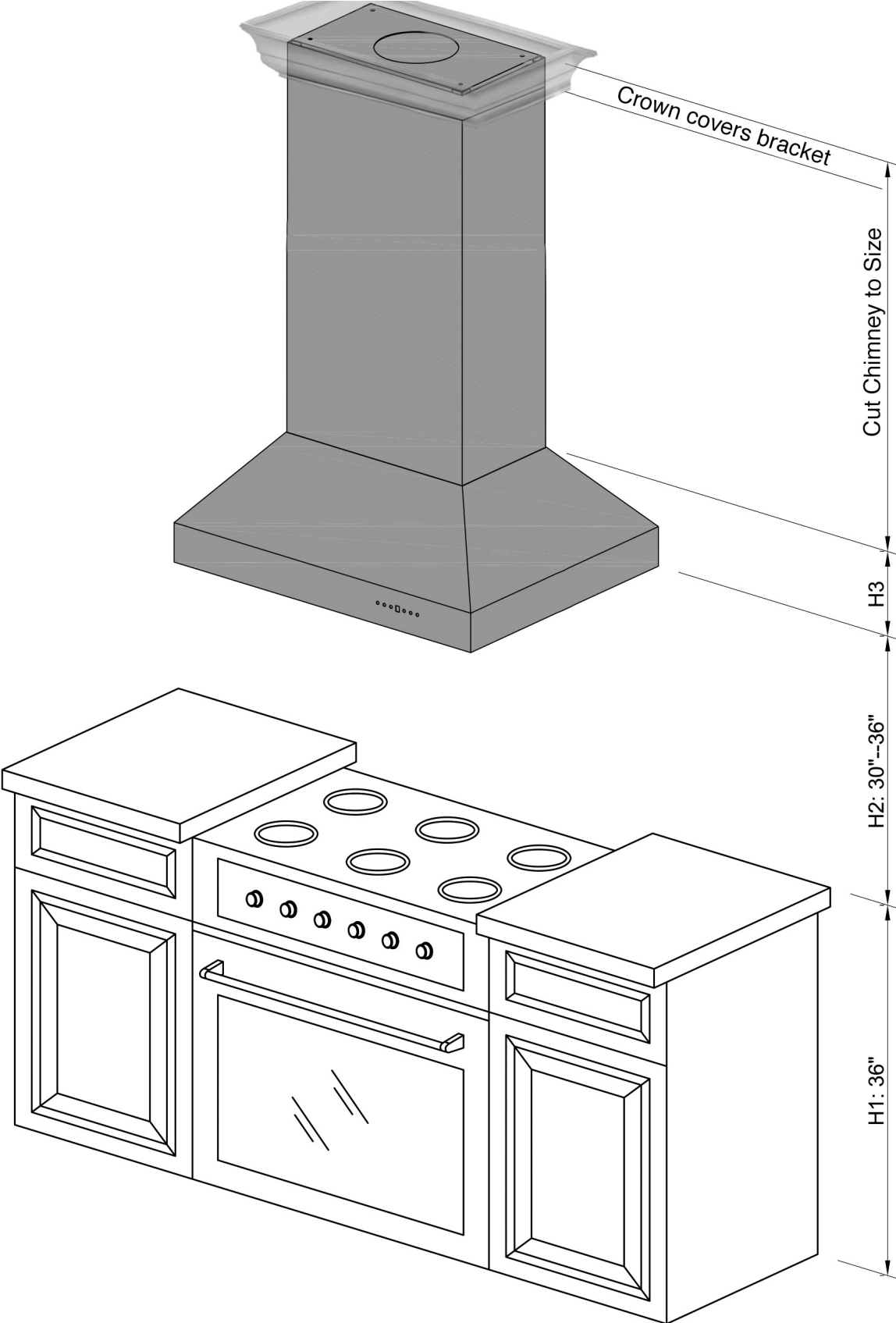


Designer Island Hood Installation



Designer Island Hood Installation

***The recommended height to install your hood is 30" minimum and 36" maximum above the cooktop.**

***For Outdoor (Copper and 304 Series) hood installation, the unit must be installed at a minimum of 36" above the grill.**

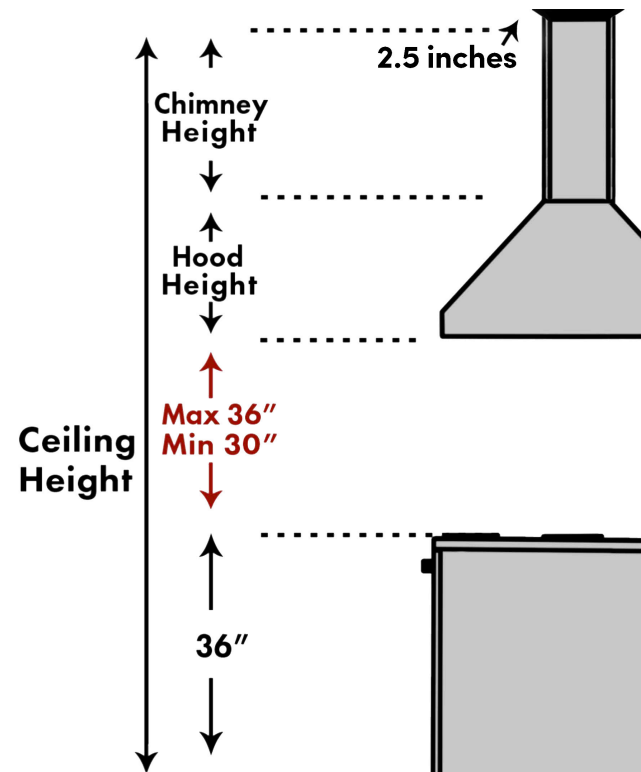
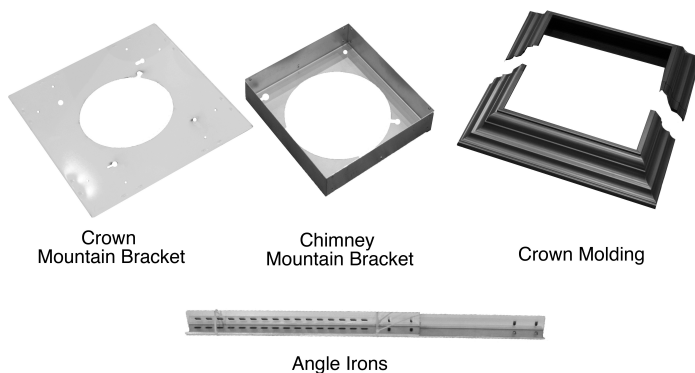
1

Locate the center above the stove where the hood is to be installed. There are 2 brackets, the Crown Molding Bracket and the Chimney Mounting Bracket. Install the Crown Molding Bracket directly on the ceiling with the curved sides facing towards the ground (the crown will slide on at the end). Install the Chimney Mounting Bracket underneath the Crown Mounting Bracket. Ensure that the brackets will be secured to solid wood backing so it can hold the load. Attach brackets to the ceiling.

2

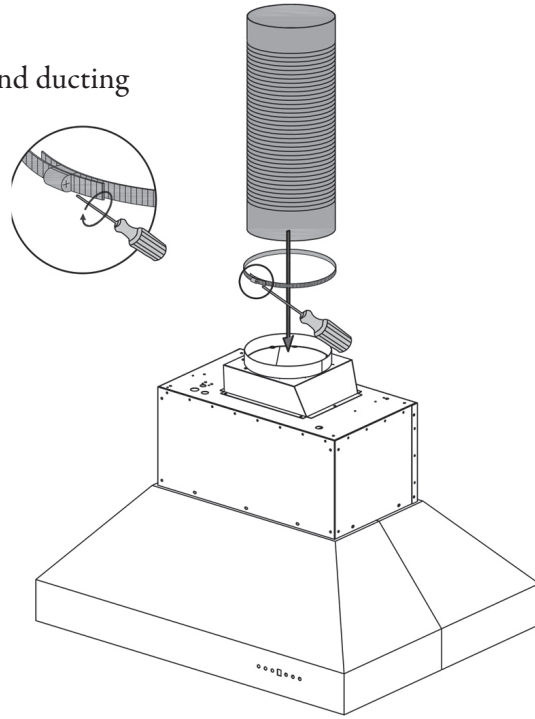
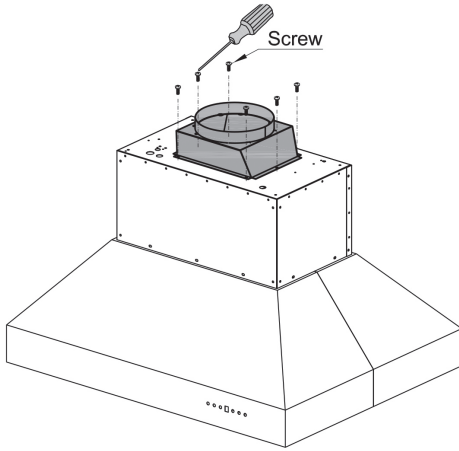
How to measure your chimney: Make note above stove top where the base of the hood will be after installed (30-36in above stove). From this point, measure to the point where the Chimney Mountain Bracket rests (this bracket ends 2.5in from the ceiling, the chimney will terminate here, not flush with the ceiling). If you measure to the ceiling, subtract 2.5 inches for correct chimney height. Once you have the total height, subtract the height of the base of the hood to where the chimney begins and you will have the correct height of the chimney. Cut the chimney to fit.

*Make sure to include 2.5 inches of space above the chimney to the ceiling (the crown molding will cover this).



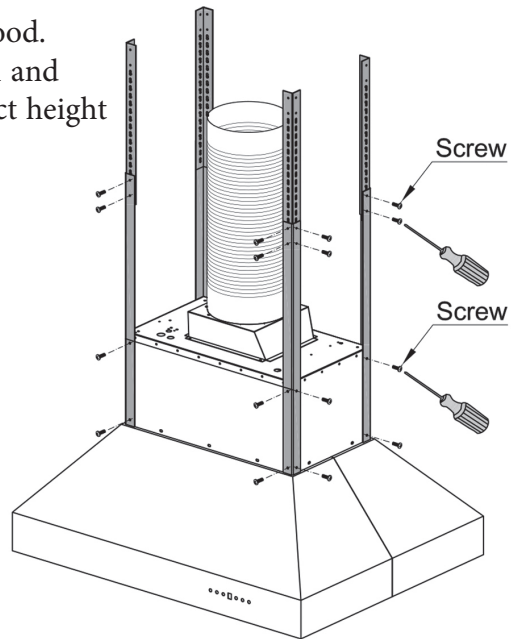
3

Attach the transition piece, rubber gasket and ducting to top of the hood.



4

Attach the angle iron pieces to the hood. Measure your cut chimney, add 2.5in and attach the second angle iron to correct height for mounting.



5

Install the duct work in the center of the ceiling bracket.

6 Slide chimney over the angle irons and place in position on top of the hood. Pull the electrical plug to the top of the chimney.

7 Lift the hood to attach the angle irons to the ceiling bracket. Use screws provided to attach. Chimney should be cut 2.5in short to allow for screwing angle irons into bracket.

8 Make your electrical and ducting connections. Use rigid duct wherever possible. Try and minimize the use of elbows. More elbows and longer runs create higher static pressure. The hood comes with a grounded three prong plug that can either be directly wired or plugged into a 20 amp circuit.

9 Slide crown molding over the crown molding bracket on the ceiling.

10 Remove plastic wrap from all sides and install stainless steel baffle filters.

Before installing baffle filters, make sure that you insert the grease cup under the motor blower.

