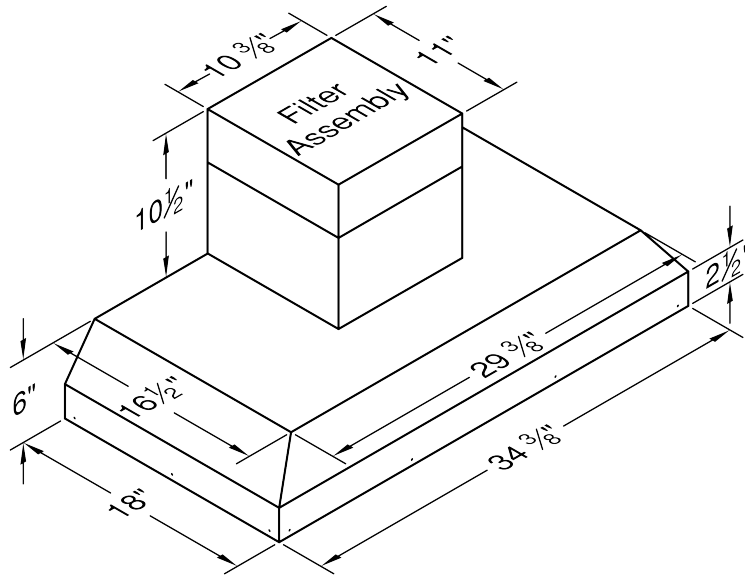




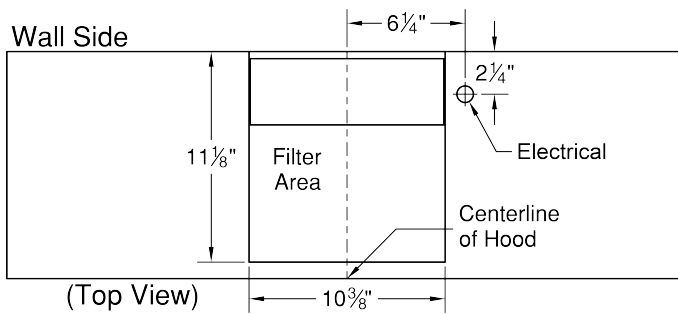
Model Number: KAH34SLD

Special Notes: LED GU10 lighting. This model is not available with heat lamps. This model is available in biscuit, black, gunsmoke, stainless steel, and white. Shown with ARSLP-12 kit (sold separately).

WIDTH:	34 3/8"
DEPTH:	18"
HEIGHT:	6"
CFM:	n/a
SONES:	n/a
AMPS:	3.5
# LIGHTS:	2



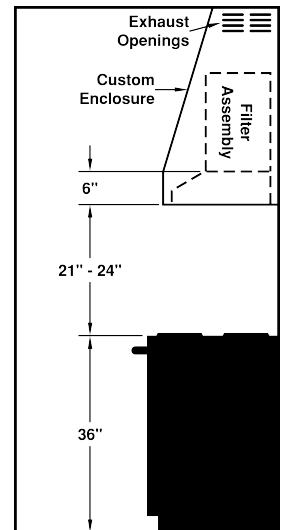
CONNECTION DIAGRAM



A minimum of 25 sq. in. of exhaust opening space per blower/filter assembly, located above the filter assembly outlet (top), is required for proper air recirculation.

Access to the filter assembly via access panel in the cabinet is required for routine filter maintenance.

REC. MOUNTING HEIGHT*



* Exceeding recommended mounting height may compromise performance.

ELECTRICAL/MECHANICAL SPECIFICATIONS FOR BLOWER UNIT

MODEL	VOLTS	AMPS+	HZ	RPM	CFM SP@0.0"	EQUIV CFM\$	CFM SP@0.1"	CFM SP@0.2"	CFM SP@0.3"	MIN. ROUND DUCT SIZE	SONES#
K250 (ARS)	115	3.5	60	1550	n/a	n/a	n/a	n/a	n/a	n/a	n/a

+ This model is equipped with two LED GU10 lights.

