

Fully Integrated
36" Refrigerator

K 1913 Vi / K 1903 Vi

AIMadison
Your Appliances Authority™
800-570-3355

Fully Integrated 36" Refrigerator K 1913 Vi / K 1903 Vi



CUSTOM INSTALLATIONS

These units do not come equipped with a front panel. They are designed to accept a custom door panel supplied by the cabinet maker. Miele has a unique panel integration system which allows the panels to align with the surrounding cabinets.

Panel size is determined in the following manner:

Width: 35 3/4" in all cases

Thickness: Minimum 3/4" outside frame

Height: Determined using the following calculation:

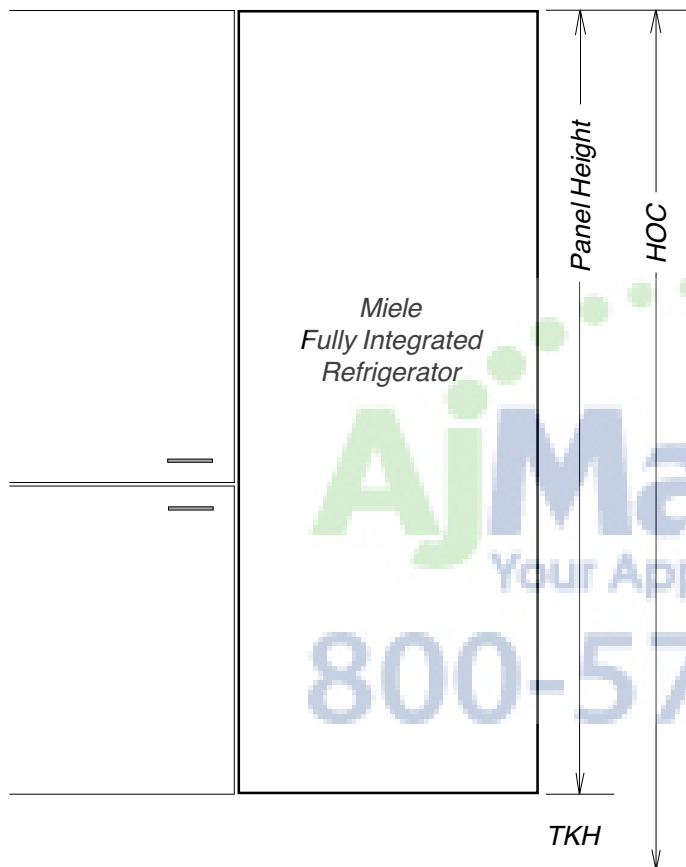
$$\text{Panel Height} = \text{HOC} - \text{TKH}$$

HOC = Total height of cabinet or side panel

TKH = Toe-kick height

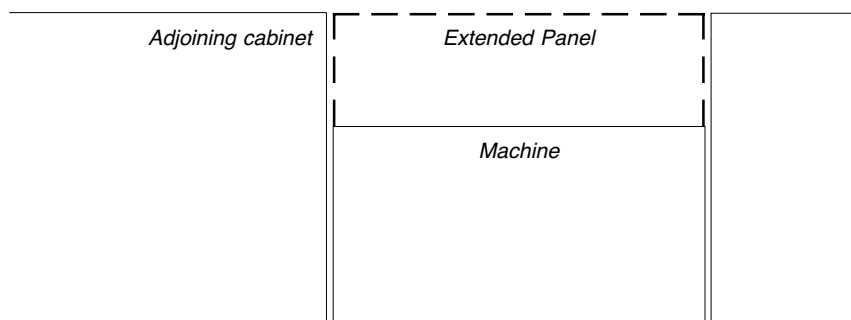
Note: Finish back side of panels to insure appearance
Panel may extend above unit. This is **not** considered in height calculation

Maximum panel weight: 81.6 Pounds



Panel Notes

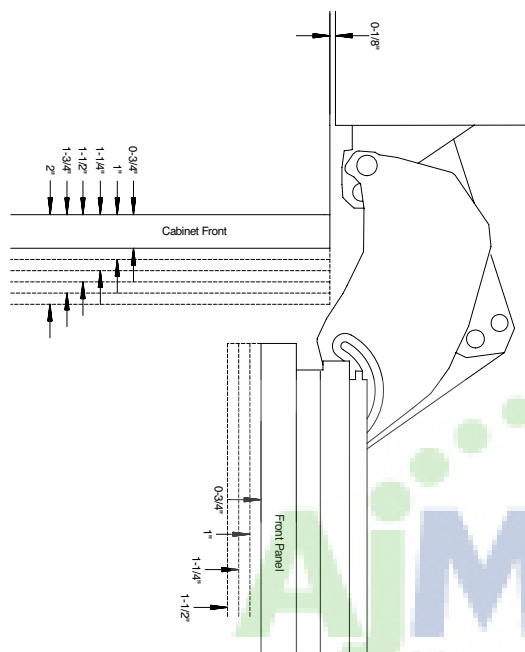
If the adjoining cabinets are taller than the height of machine (HOM) - the front panel may be extended accordingly. Simply maintain the toekick height and extend the panel the needed distance.



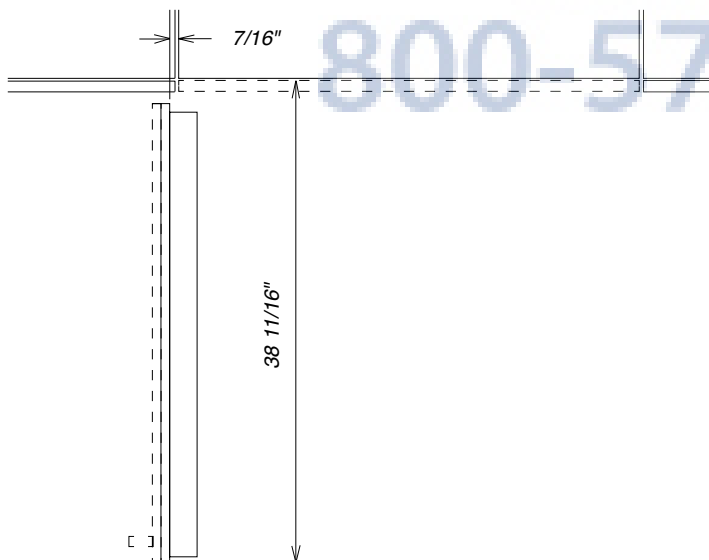
HINGING DETAILS

90° Door

Thickness options



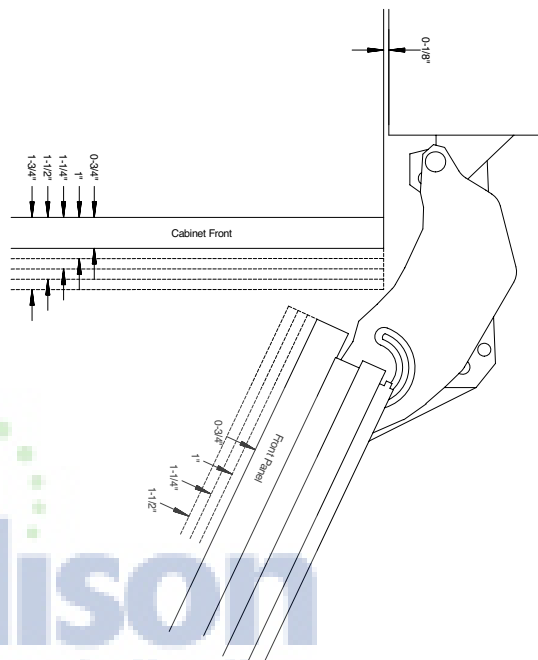
Door Swing



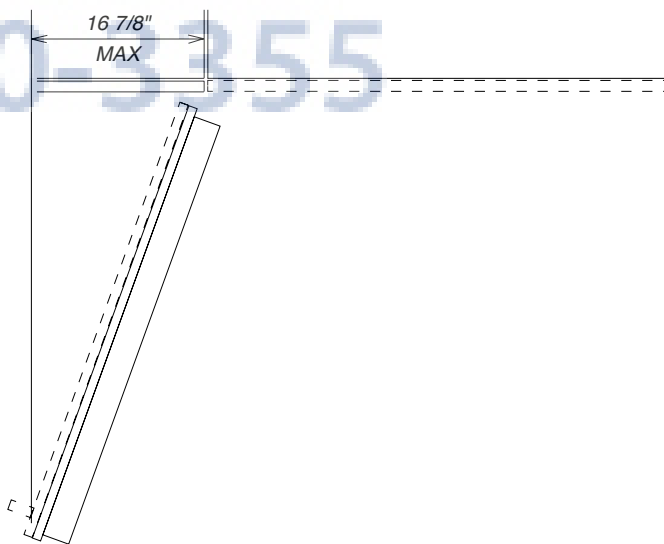
NOTE: Additional space needed depending on thickness of front panels and handle used

115° Door

Thickness options



Door Swing



NOTE: Additional space needed depending on thickness of front panels and handle used

Aj Madison
Your Appliance Authority™
800-570-3355