

MasterCool Refrigeration
Side-by-Side Merging Combinations
For Vi Models

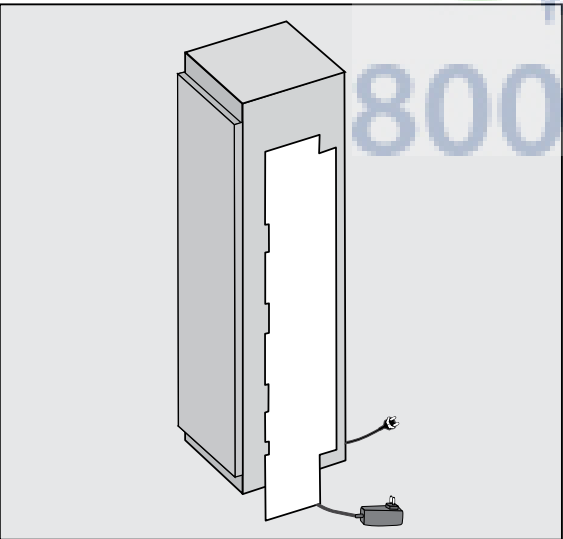
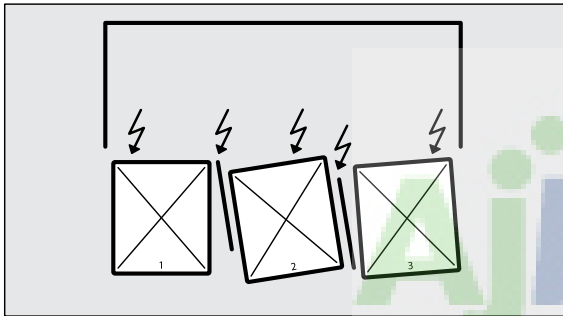
Jim Macdon
Your Appliances Authority™
800-570-3355

Side-by-Side Merging Kit KSK 1002



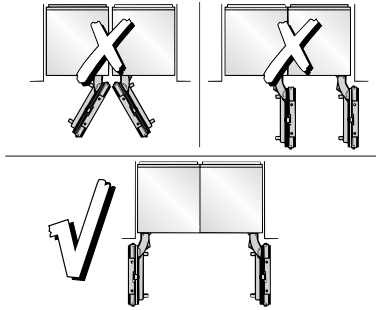
This merging kit should be used for side-by-side installation of the following models:

- K 18x1 Vi, K 19x1 Vi,
K 18x3 Vi, K 19x3 Vi
- F 14x1 Vi, F 18x1 Vi, F 19x1 Vi
F 14x3 Vi, F 18x3 Vi, F 19x3 Vi
- KF 18x1 Vi, KF 19x1 Vi,
KF 18x3 Vi, KF 19x3 Vi
- KWT 16x1 Vi, KWT 16x3 Vi



Side-by-side

... without partition

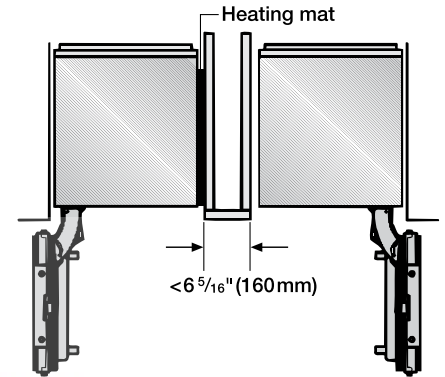


If the appliances are installed directly next to each other (without a partition), they need to be attached together. A heating mat must also be installed. This will help avoid condensation and prevent damages.

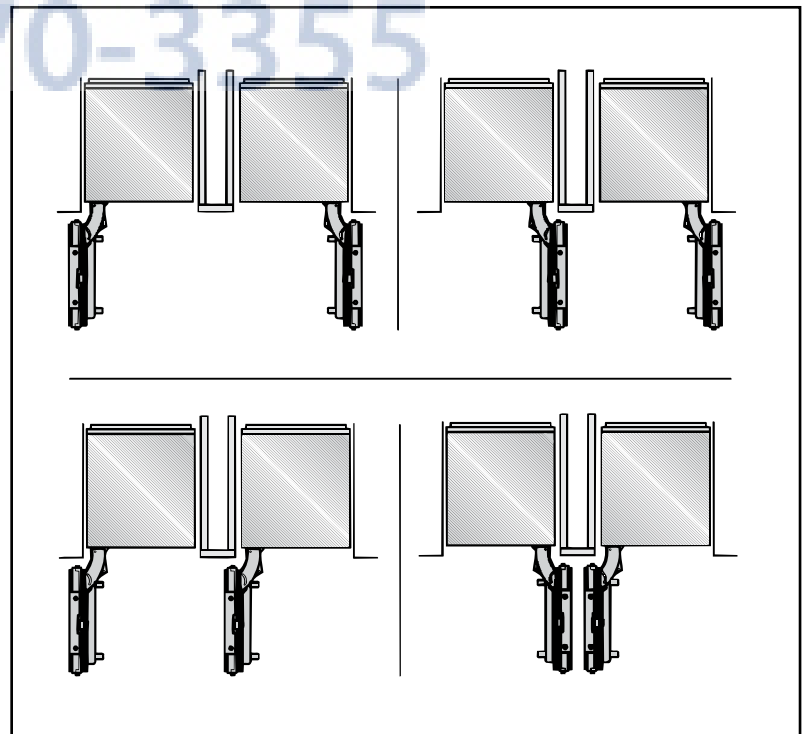
... with partition

The minimum thickness of the partition is $\frac{5}{8}$ " (16 mm).

If there is a partition with a thickness from $\frac{5}{8}$ " (16 mm) to $6 \frac{5}{16}$ " (160 mm) between the adjacent appliances, then each appliance should be individually installed within its own niche using the mounting accessories included.



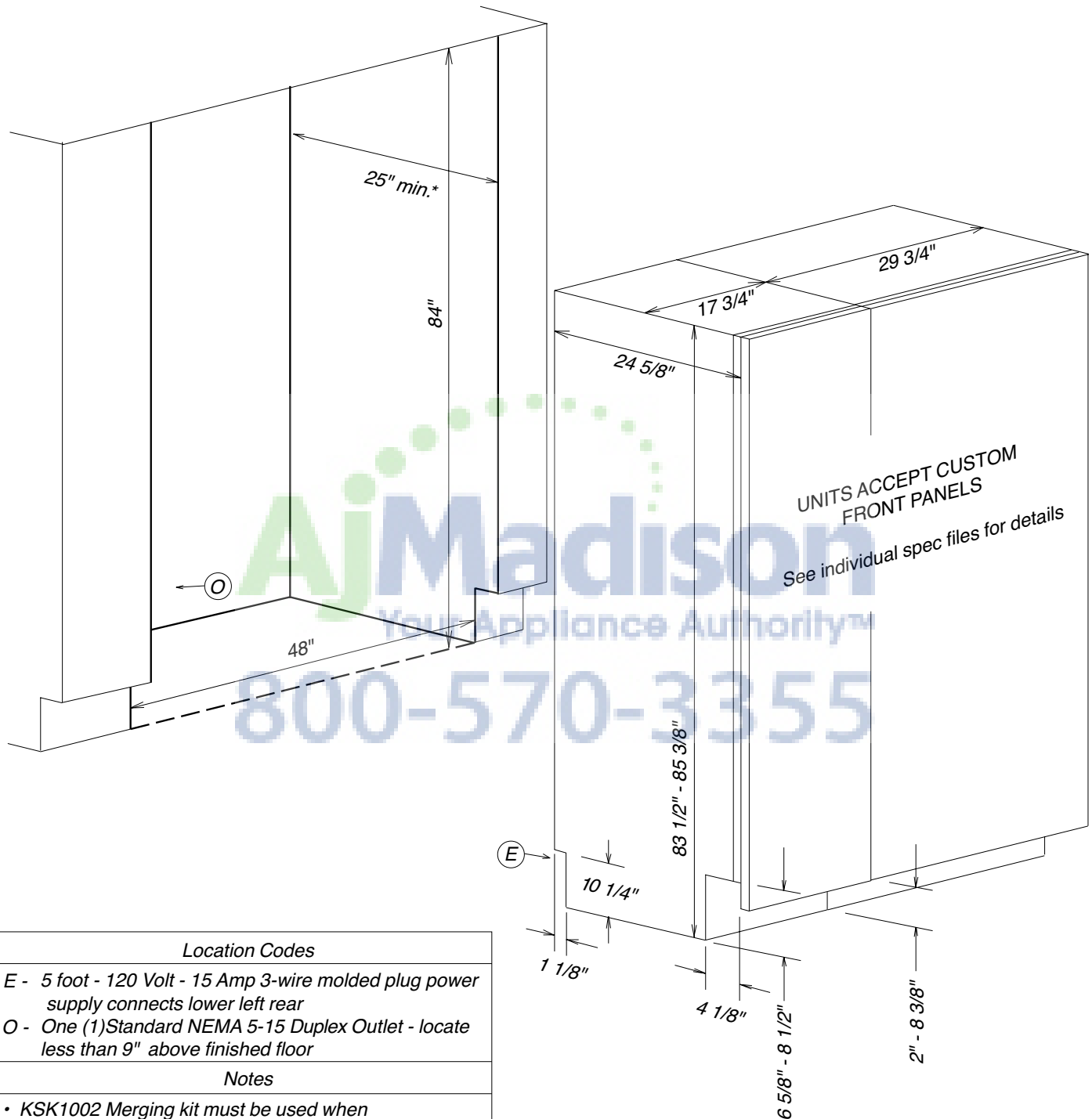
In this case, you will only need the heating mat from the "Merging Kit" to avoid condensation and prevent damages.



Product and Cut-out Dimensions 48" Side-by-Side Combination F14X3 & K18X3



FOR FLUSH INSTALLATION



AjMadison
Your Appliance Authority™
800-570-3355

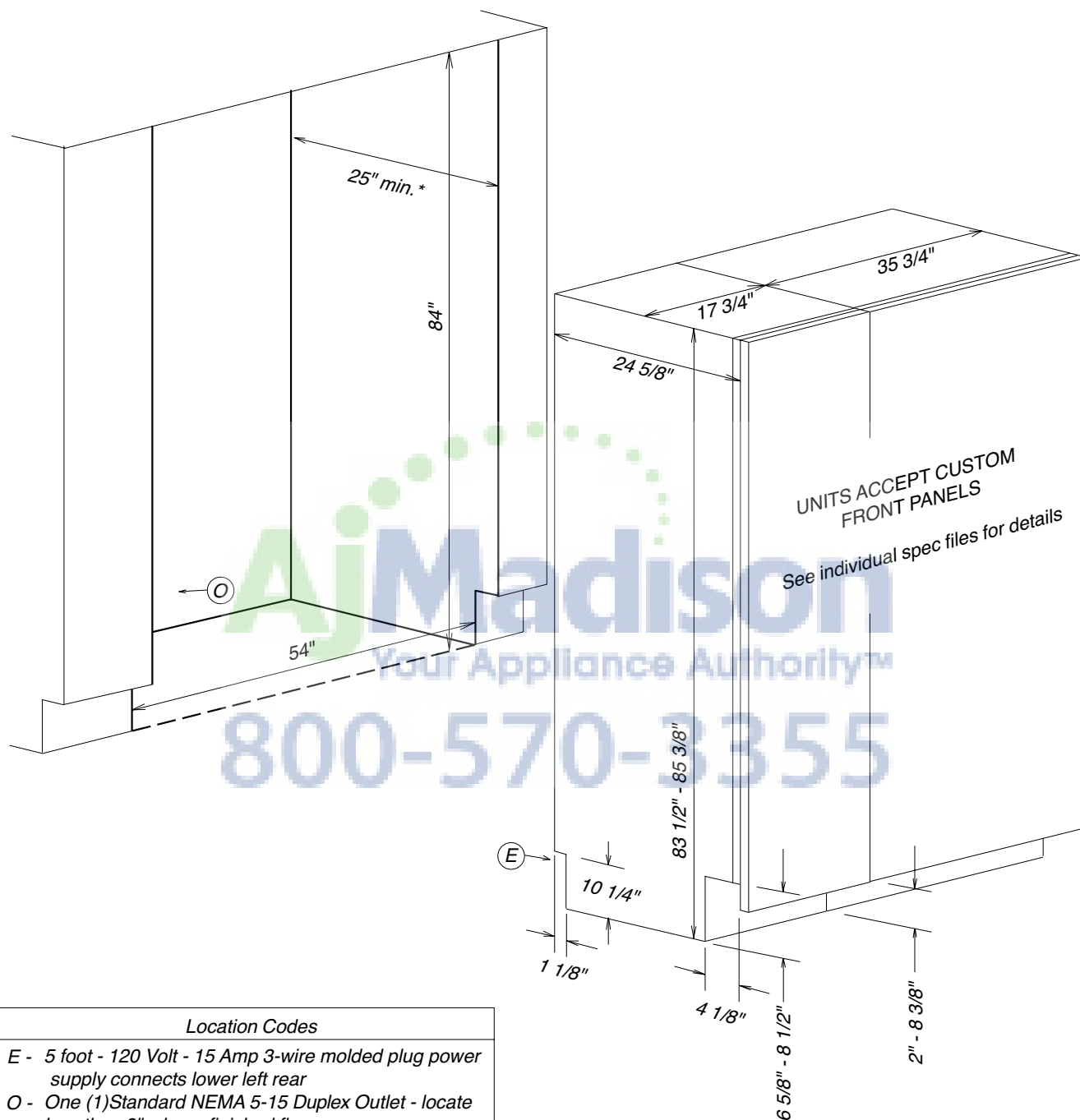
Location Codes
<i>E - 5 foot - 120 Volt - 15 Amp 3-wire molded plug power supply connects lower left rear</i>
<i>O - One (1) Standard NEMA 5-15 Duplex Outlet - locate less than 9" above finished floor</i>
Notes
<ul style="list-style-type: none"> • <i>KSK1002 Merging kit must be used when combining units</i> • <i>All Installations must be done in accordance with local codes</i> • <i>Sides of adjoining cabinets should be filled (flush to frame) to insure proper fit and finish</i> • <i>For Proud Installation — please adjust accordingly</i>

**Depth assumes a 3/4" panel, please adjust according to custom panel thickness*

Product and Cut-out Dimensions 54" Side-by-Side Combination F14X3 & K19X3



FOR FLUSH INSTALLATION



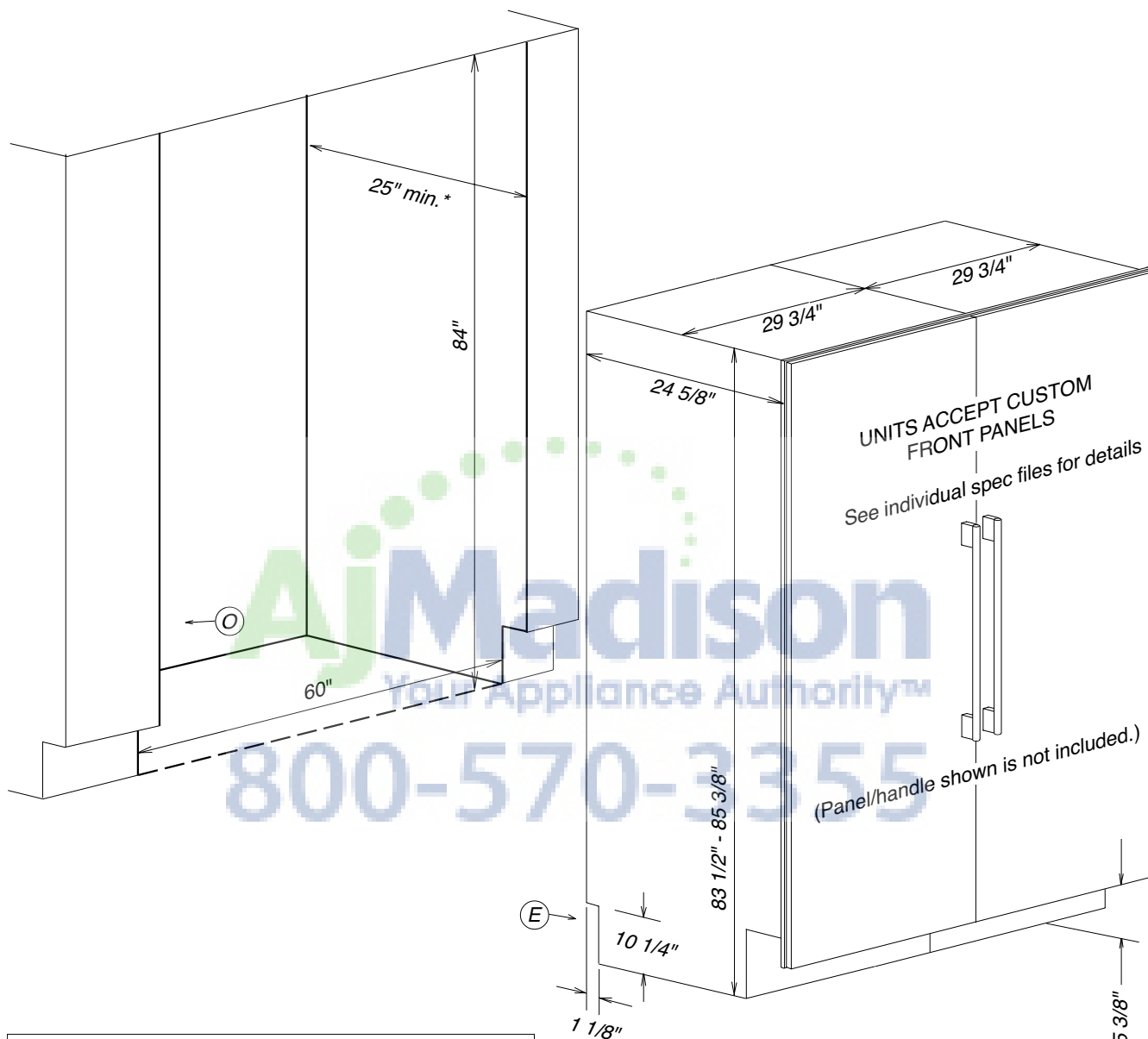
Location Codes
E - 5 foot - 120 Volt - 15 Amp 3-wire molded plug power supply connects lower left rear
O - One (1) Standard NEMA 5-15 Duplex Outlet - locate less than 9" above finished floor
Notes
<ul style="list-style-type: none"> • KSK1002 Merging kit must be used when combining units • All Installations must be done in accordance with local codes • Sides of adjoining cabinets should be filled (flush to frame) to insure proper fit and finish • For Proud Installation — please adjust accordingly

*Depth assumes a 3/4" panel, please adjust according to custom panel thickness

Product and Cut-out Dimensions 60" Side-by-Side Combination F18X3 & K18X3



FOR FLUSH INSTALLATION



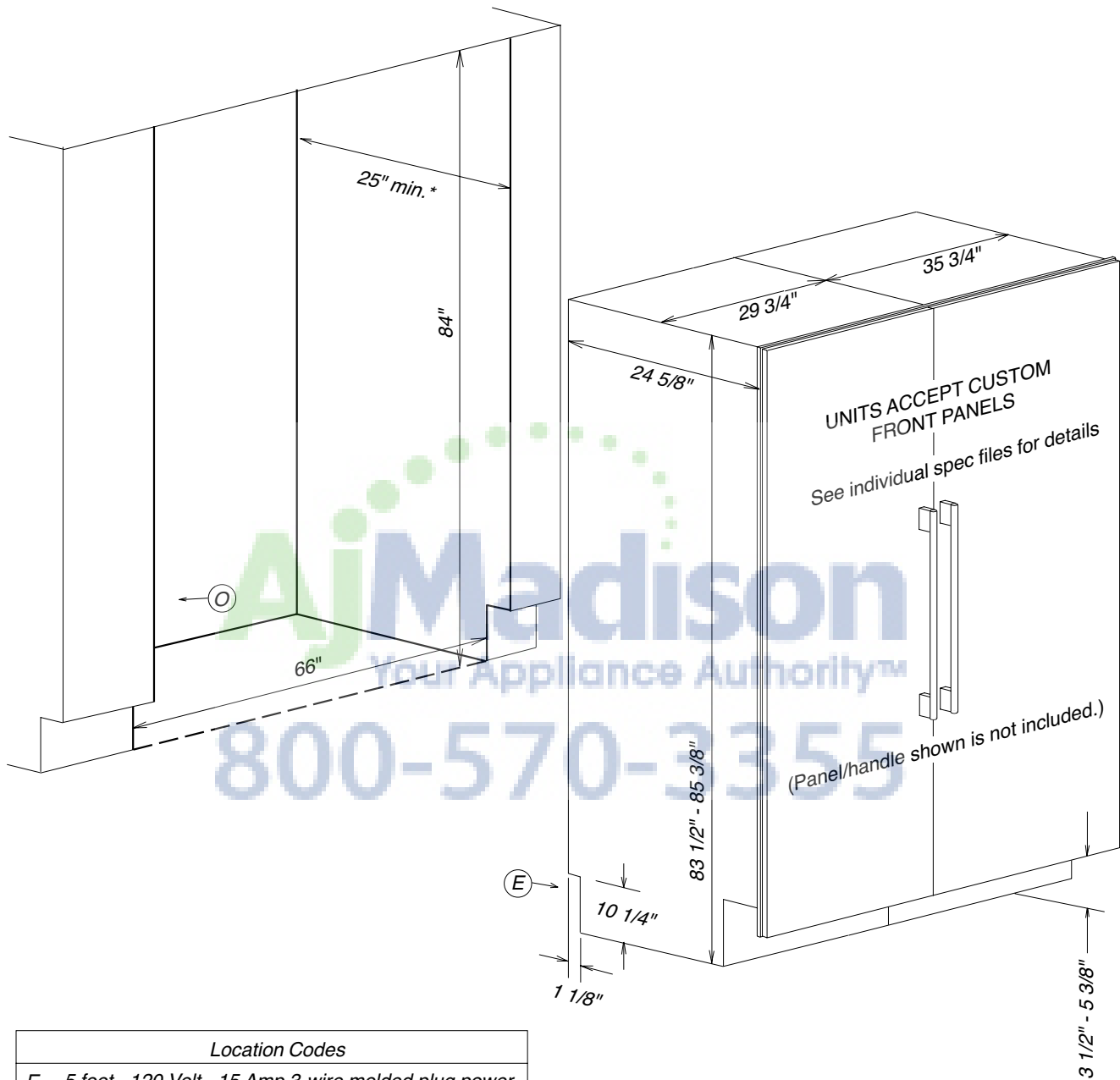
Location Codes
E - 5 foot - 120 Volt - 15 Amp 3-wire molded plug power supply connects lower left rear
O - One (1) Standard NEMA 5-15 Duplex Outlet - locate less than 9" above finished floor
Notes
<ul style="list-style-type: none"> • KSK1002 Merging kit must be used when combining units • All Installations must be done in accordance with local codes • Sides of adjoining cabinets should be filled (flush to frame) to insure proper fit and finish • For Proud Installation — please adjust accordingly

*Depth assumes a 3/4" panel, please adjust according to custom panel thickness

Product and Cut-out Dimensions 66" Side-by-Side Combination F18X3 & K19X3



FOR FLUSH INSTALLATION



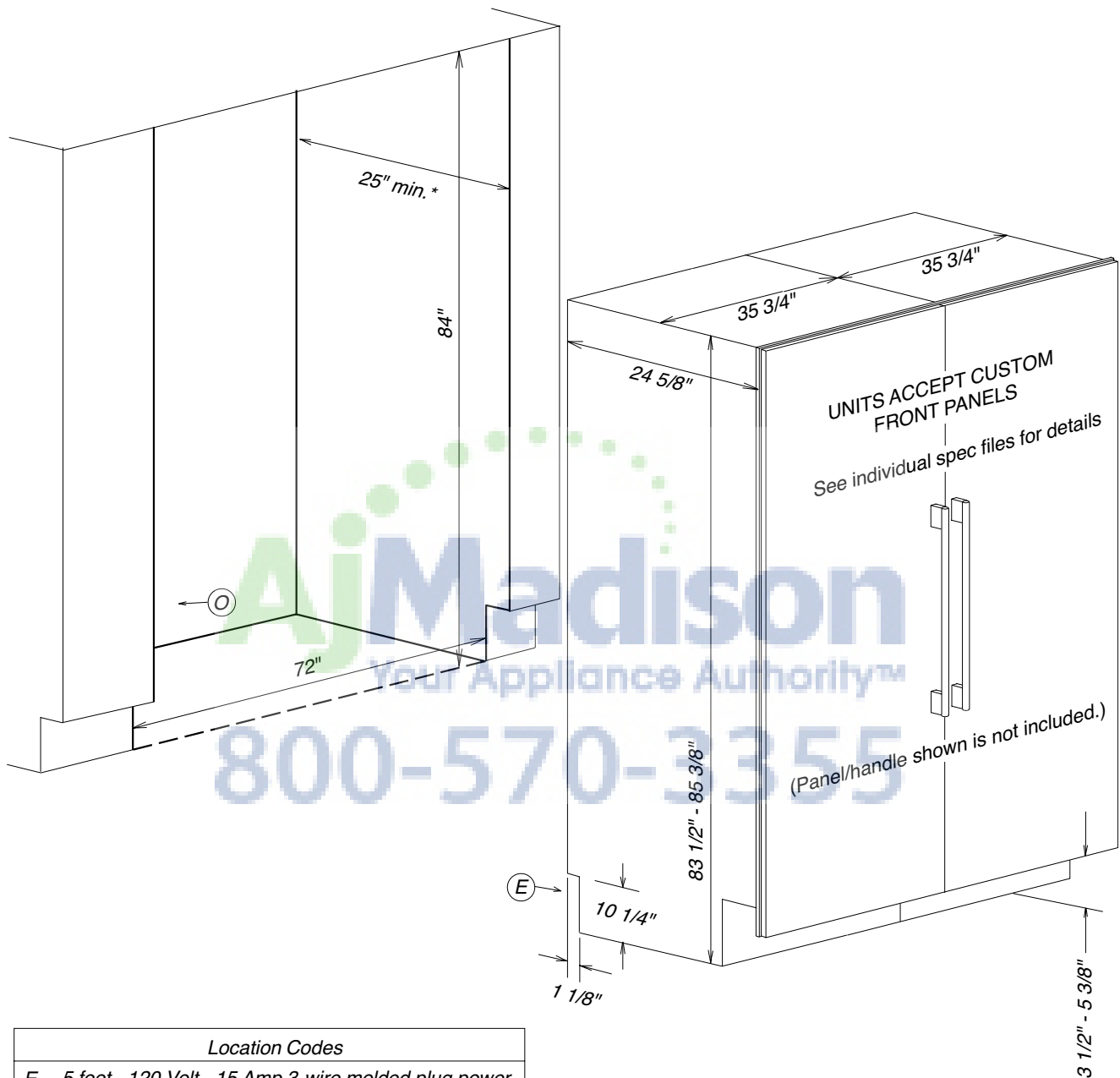
Location Codes
E - 5 foot - 120 Volt - 15 Amp 3-wire molded plug power supply connects lower left rear
O - One (1) Standard NEMA 5-15 Duplex Outlet - locate less than 9" above finished floor
Notes
<ul style="list-style-type: none"> • KSK1002 Merging kit must be used when combining units • All Installations must be done in accordance with local codes • Sides of adjoining cabinets should be filled (flush to frame) to insure proper fit and finish • For Proud Installation — please adjust accordingly

*Depth assumes a 3/4" panel, please adjust according to custom panel thickness

Product and Cut-out Dimensions 72" Side-by-Side Combination F19X3 & K19X3



FOR FLUSH INSTALLATION



Location Codes
E - 5 foot - 120 Volt - 15 Amp 3-wire molded plug power supply connects lower left rear
O - One (1) Standard NEMA 5-15 Duplex Outlet - locate less than 9" above finished floor
Notes
<ul style="list-style-type: none"> • KSK1002 Merging kit must be used when combining units • All Installations must be done in accordance with local codes • Sides of adjoining cabinets should be filled (flush to frame) to insure proper fit and finish • For Proud Installation — please adjust accordingly

*Depth assumes a 3/4" panel, please adjust according to custom panel thickness