

# DAYTON® SPECIFICATIONS

## Kingsford® Single Bowl Sink Models K12521, K12522 and KJ12522 Series

### GENERAL

Sink is formed of #23 gauge, 300 series, nickel-bearing stainless steel. Top mount.

### DESIGN FEATURES

Bowl Depth: 6" (152mm) (K12521 series), 6" (152mm) (K(J)12522) series.

Rim Height: 3/16" (5mm)

Faucet Deck: Raised

Coved Corners: 4" (102mm) vertical and 3-1/4" (83mm) horizontal radius.

Bowl Finish: Exposed surfaces are polished to a satin finish.

Underside: Undercoated on bottom of bowl.

### OTHER

Drain Opening: 3-1/2" (89mm)

Installation Hardware: Included for 3/4" (19mm) countertop.

### OPTIONAL ACCESSORIES

Bottom Grid: GBG2115SS

Cutting Board: CB1516

Drain: LK35, D1125

Sink complies with ASME A112.19.3/ CSA B45.4



Sinks are listed by IAPMO® as meeting the applicable requirements of the Uniform Plumbing Code®, International Plumbing Code®, and National Plumbing Code of Canada.

### SINK PACKAGE

K125224DF includes: (1) Sink - K125224, (1) Faucet - LK2478CR, and (1) Drain.

### FAUCET FEATURES

Chrome finished, single-lever kitchen faucet with side spray.

Flexible supply tubes with 1/2" (13mm) male IPS adapters.

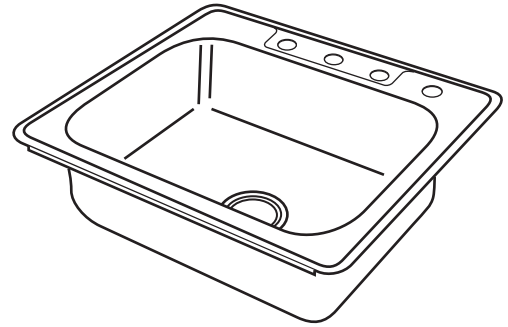
Faucet complies with: ADA, ASME A112.18.1/CSA B125.1, cUPC, CA AB1953

Faucet flow rate: 2.2 GPM/8.3 L/min at 60 P.S.I.G.

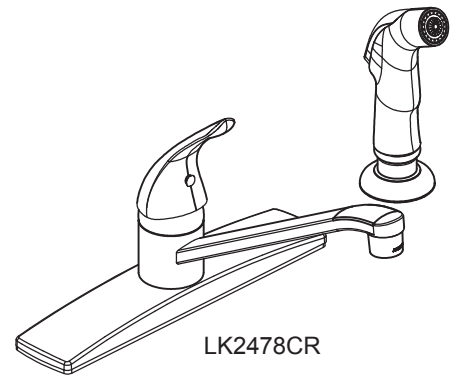
### DRAIN FEATURES

Stainless steel body and strainer.

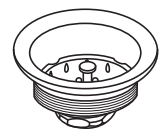
Fits 3-1/2" (89mm) opening.



Model K125224



LK2478CR



*In keeping with our policy of continuing product improvement, Elkay reserves the right to change product specifications without notice. Please visit [elkayusa.com](http://elkayusa.com) for most current version of Elkay product specification sheets.*

*This specification describes an Elkay product with design, quality and functional benefits to the user. When making a comparison of other producers' offerings, be certain these features are not overlooked.*

# DAYTON<sup>®</sup>

## SPECIFICATIONS

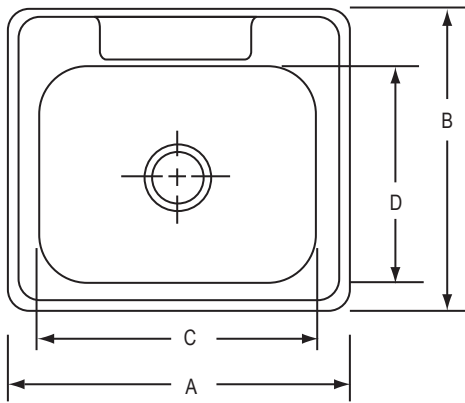
### Kingsford<sup>®</sup> Single Bowl Sink Models K12521, K12522 and KJ12522 Series

#### SINK DIMENSIONS (INCHES)\*

U-Channel Model Number	J-Channel Model Number	Overall		Inside Bowl			Cutout in Countertop (1-1/2" (38mm) Radius Corners)		No. of 1-1/2" (38mm) Dia. Faucet Holes 4" (102mm) Center	Minimum Cabinet Size
		L	W	L	W	D	L	W		
K12521	—	25 (635mm)	21-1/4 (540mm)	21 (533mm)	15-3/4 (533mm)	6 (152mm)	24-3/8 (619mm)	20-5/8 (524mm)	1, 2, MR2, 3, 4, or 5	30 (762mm)
K12522	KJ12522	25 (635mm)	22 (559mm)	21 (533mm)	15-3/4 (533mm)	6 (152mm)	24-3/8 (619mm)	21-3/8 (543mm)	1, 2, MR2, 3, 4, or 5	30 (762mm)

\*Length is left to right. Width is front to back.

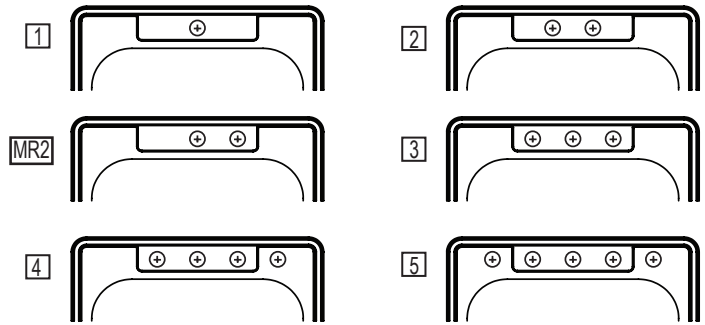
† 2 hole only available for model K12522.



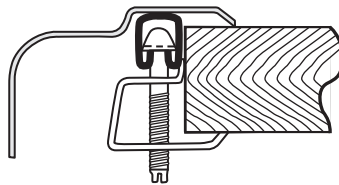
E is Bowl Depth

#### Hole Drilling Configurations

1-1/2" (38mm) Diameter Faucet Holes on 4" (102mm) Centers



#### U-Channel Type Mounting System



#### J-Channel Type Mounting System

