

JennAir® NOIR™ 48" Induction Range w/ Chrome-Infused Griddle

JPIGC748RM



Features

Knob-Controlled Cooking

Elevate your cooking experience by controlling power settings from the palm of your hand. The Halo-Effect knobs with LED backlighting glow softly, providing intuitive feedback.

Flex-Choice™ Zones with Assisted Cooking

Flex-Choice induction zones can be used as two separate elements or a single, large surface to meet your culinary needs on demand. For added control, Assisted Cooking modes select an optimal power level for simmering, melting, or keeping warm.

Chrome-Infused Griddle

Unlike plated options, naturally non-stick chrome is infused into the griddle surface. Even after heavy usage or scratches, the surface will maintain its polish and non-stick qualities.

Culinary Center with Remote Access

With real time notifications, remote access and control, and step-by-step support, savor the full culinary experience backed by customized algorithms, featuring full-color food photography, doneness levels, pan types and menu-specific tips.

Dual-Fan True Convection

Steady heat, circulated by whirling metal blades, weaves around every flat tine. Beyond baking, wield your cooking prowess with the help of the culinary center through the app, from marbled meats to succulent roasts.



*Preliminary Claims Subject to Change and Prototype Imagery

Product Details

Dimensions	47 7/8" W x 36" H x 27 11/16"D
Cutout Dimensions	48" W x 36" H x 24"D (base cabinet)
Finish	RISE™ Design Expression
Capacity	6.3 Cu Ft
Cooktop Specs	L Front 2100W/3700W (boost) L Rear 2100W/3700W (boost) C Front 2100W/3700W (boost) C Rear 2100W/3700W (boost) R Front 2100W/3700W (boost) R Rear 2100W/3700W (boost)

Accessories

W11719755	Trim Kit, SS
W10285449	48" Range SS Backsplash
W11317499	Range Chrome Knob Bezel, Oven
W11323024	Range Chrome Knob Bezel
W11323068	Set of 4 Range Brass Knob Bezels, Oven

JennAir® NOIR™ 48" Induction Range w/ Chrome-Infused Griddle

JPIGC748RM



Electrical

To properly install your range, you must determine the type of electrical connection you will be using and follow the instructions provided in Owners Manual

- When a 4-wire, single-phase 240 V, 60 Hz, AC only electrical supply is available, a 40 A minimum circuit protection is required on 30" (76.2 cm). On the 36" (91.4 cm) ranges and the 48" (121.9 cm) ranges a minimum circuit protection of 50 A is required.

NOTE: If your home does not have a 4-wire system, consult your local qualified electrician.

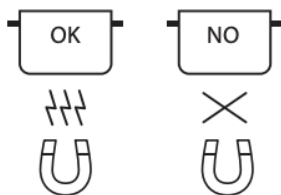
- A time-delay fuse or circuit breaker is recommended.
- This range is equipped with a UL or CSA International Certified Power Cord intended to be plugged into a standard 14-50R wall receptacle. Be sure the wall receptacle is within reach of range's final location.



- Do not use an extension cord.
- The wiring diagram is located on the back of the range or in a clear plastic bag.

Induction Cookware

POTS AND PANS



Only use pots and pans made from ferromagnetic material which are suitable for use with induction cooktop:

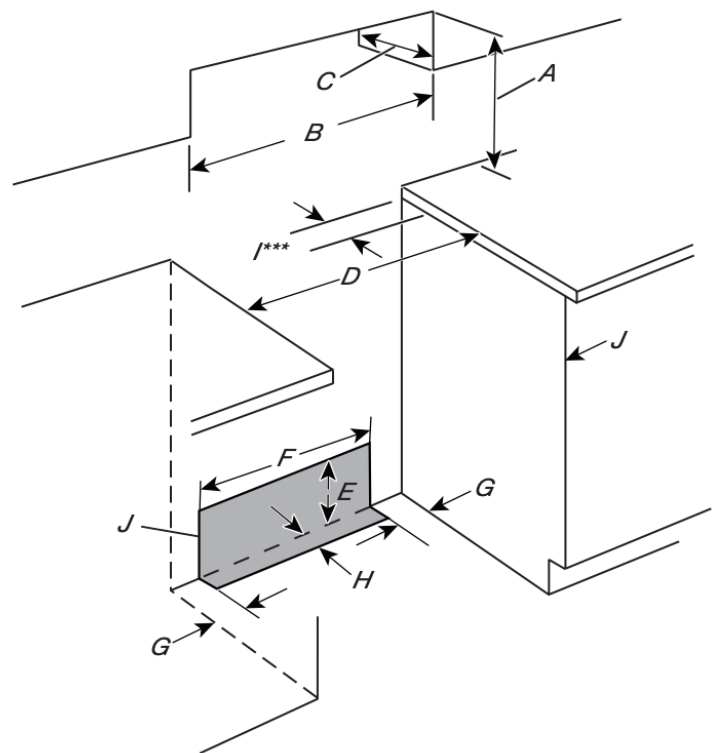
- Enameled steel.
- Cast iron
- Stainless steel designed for induction cooktops.

Cutout Dimensions

Cabinet Requirements

Cabinet opening dimensions shown are for 25" (64.0 cm) countertop depth, 24" (61.0 cm) base cabinet depth, and 36" (91.4 cm) countertop height. Dimensions must be met in order to ensure a flush fit to back wall.

IMPORTANT: If installing a range hood, hood liner, or microwave hood combination above the cooking surface, follow the range hood or microwave hood combination installation instructions for dimensional clearances above the cooking surface.



- A. For minimum clearance to top of range.**
- B. 30" (76.2 cm) model: 30" (76.2 cm) minimum upper cabinet width
36" (91.4 cm) model: 36" (91.4 cm) minimum upper cabinet width
48" (121.9 cm) model: 48" (121.9 cm) minimum upper cabinet width
- C. 13" (33 cm) maximum upper cabinet depth
- D. 30" (76.2 cm) on 30" (76.2 cm) models
36" (91.4 cm) on 36" (91.4 cm) models
48" (121.9 cm) on 48" (121.9 cm) models
- E. 15" (38.1 cm)
- F. 22" (55.9 cm) on 30" (76.2 cm) models
28" (71.1 cm) on 36" (91.4 cm) models
40" (101.6 cm) on 48" (121.9 cm) models
- G. 4" (10.1 cm)
- H. 5" (12.7 cm)
- I. 6" (15.2 cm)***
- J. Electrical installation area*

*Preliminary subject to change

Resources

[Owner's Manual](#) [Quick Reference Guide](#) [Warranty](#)