

# JENNAIR® 30", 36", AND 48" (76.2 CM, 91.4 CM, AND 121.9 CM) COMMERCIAL STYLE WALL- MOUNT CANOPY RANGE HOOD

HOTTE DE CUISINIÈRE JENNAIR® DE STYLE  
COMMERCIAL POUR MONTAGE MURAL DE  
30", 36" ET 48" (76,2 CM, 91,4 CM ET 121,9 CM)

---

## Installation Instructions and Use & Care Guide

For questions about features, operation/performance, parts, accessories, or service in the U.S.A., call:  
**1-800-JENNAIR (1-800-536-6247)** or visit our website at [www.jennair.com](http://www.jennair.com).

In Canada, call: **1-800-JENNAIR (1-800-536-6247)**, or visit our website at [www.jennair.ca](http://www.jennair.ca).

---

## Instructions d'installation et Guide d'utilisation et d'entretien

Au Canada, pour assistance, installation ou service, composez le 1-800-JENNAIR (1-800-536-6247) ou visitez notre site web à  
[www.jennair.ca](http://www.jennair.ca).

---

Table of Contents/Table des matières ..... 2

---

**IMPORTANT: READ AND SAVE THESE INSTRUCTIONS.  
FOR RESIDENTIAL USE ONLY.**

**IMPORTANT : LIRE ET CONSERVER CES INSTRUCTIONS.  
POUR UTILISATION RÉSIDENNELLE UNIQUEMENT.**



LI3UND/W11280191B

---

## TABLE OF CONTENTS

<b>RANGE HOOD SAFETY</b> .....	<b>3</b>
<b>INSTALLATION REQUIREMENTS</b> .....	<b>5</b>
Tools and Parts.....	5
Location Requirements.....	5
Venting Requirements.....	7
Electrical Requirements .....	8
<b>INSTALLATION INSTRUCTIONS</b> .....	<b>8</b>
Prepare Location.....	8
Install Range Hood.....	9
Install Range Hood Blower Motor.....	9
Make Electrical Connection .....	10
Complete Installation and Check Operation .....	11
<b>RANGE HOOD USE</b> .....	<b>12</b>
Range Hood Controls .....	12
<b>RANGE HOOD CARE</b> .....	<b>13</b>
Range Hood Lamps .....	13
Cleaning .....	13
<b>WIRING DIAGRAM</b> .....	<b>14</b>
<b>ASSISTANCE OR SERVICE</b> .....	<b>15</b>
In the U.S.A. ....	15
In Canada .....	15
Accessories .....	15

---

## TABLE DES MATIÈRES

<b>SÉCURITÉ DE LA HOTTE DE CUISINIÈRE</b> .....	<b>16</b>
<b>EXIGENCES D'INSTALLATION</b> .....	<b>18</b>
Outillage et pièces.....	18
Exigences d'emplacement.....	18
Exigences concernant l'évacuation .....	20
Spécifications électriques .....	21
<b>INSTRUCTIONS D'INSTALLATION</b> .....	<b>21</b>
Préparation de l'emplacement.....	21
Installation de la hotte.....	22
Installation du moteur du ventilateur de la hotte .....	22
Raccordement électrique.....	23
Achever l'installation et vérifier le fonctionnement .....	24
<b>UTILISATION DE LA HOTTE</b> .....	<b>25</b>
Commandes de la hotte de cuisinière .....	25
<b>ENTRETIEN DE LA HOTTE DE CUISINIÈRE</b> .....	<b>26</b>
Lampes de la hotte de cuisinière .....	26
Nettoyage .....	27
<b>SCHÉMAS DE CÂBLAGE</b> .....	<b>28</b>
<b>ASSISTANCE OU SERVICE</b> .....	<b>29</b>
Au Canada.....	29
Accessoires .....	29

# RANGE HOOD SAFETY

## Your safety and the safety of others are very important.

We have provided many important safety messages in this manual and on your appliance. Always read and obey all safety messages.



This is the safety alert symbol.

This symbol alerts you to potential hazards that can kill or hurt you and others.

All safety messages will follow the safety alert symbol and either the word “DANGER” or “WARNING.”

These words mean:

**⚠ DANGER**

**You can be killed or seriously injured if you don't immediately follow instructions.**

**⚠ WARNING**

**You can be killed or seriously injured if you don't follow instructions.**

All safety messages will tell you what the potential hazard is, tell you how to reduce the chance of injury, and tell you what can happen if the instructions are not followed.

# IMPORTANT SAFETY INSTRUCTIONS

**WARNING:** TO REDUCE THE RISK OF FIRE, ELECTRIC SHOCK, OR INJURY TO PERSONS, OBSERVE THE FOLLOWING:

- Use this unit only in the manner intended by the manufacturer. If you have questions, contact the manufacturer.
- Before servicing or cleaning unit, switch power off at service panel and lock the service disconnecting means to prevent power from being switched on accidentally. When the service disconnecting means cannot be locked, securely fasten a prominent warning device, such as a tag, to the service panel.
- Installation work and electrical wiring must be done by qualified person(s) in accordance with all applicable codes and standards, including fire-rated construction.
- Do not operate any fan with a damaged cord or plug. Discard fan or return to an authorized service facility for examination and/or repair.
- Sufficient air is needed for proper combustion and exhausting of gases through the flue (chimney) of fuel burning equipment to prevent back drafting. Follow the heating equipment manufacturer's guideline and safety standards such as those published by the National Fire Protection Association (NFPA), and the American Society for Heating, Refrigeration and Air Conditioning Engineers (ASHRAE), and the local code authorities.
- When cutting or drilling into wall or ceiling, do not damage electrical wiring and other hidden utilities.
- Ducted fans must always be vented to the outdoors.

**CAUTION:** For General Ventilating Use Only. Do Not Use To Exhaust Hazardous Or Explosive Materials And Vapors.

**CAUTION:** To reduce risk of fire and to properly exhaust air, be sure to duct air outside - Do not vent exhaust air into spaces within walls or ceilings or into attics, crawl spaces, or garages.

**WARNING:** TO REDUCE THE RISK OF FIRE, USE ONLY METAL DUCTWORK.

**WARNING:** TO REDUCE THE RISK OF A RANGE TOP GREASE FIRE:

- Never leave surface units unattended at high settings. Boilovers cause smoking and greasy spillovers that may ignite. Heat oils slowly on low or medium settings.
- Always turn hood ON when cooking at high heat or when flambeing food (i.e. Crepes Suzette, Cherries Jubilee, Peppercorn Beef Flambé).
- Clean ventilating fans frequently. Grease should not be allowed to accumulate on fan or filter.
- Use proper pan size. Always use cookware appropriate for the size of the surface element.

**WARNING:** TO REDUCE THE RISK OF INJURY TO PERSONS IN THE EVENT OF A RANGE TOP GREASE FIRE, OBSERVE THE FOLLOWING<sup>a</sup>:

- SMOTHER FLAMES with a close-fitting lid, cookie sheet, or metal tray, then turn off the burner. BE CAREFUL TO PREVENT BURNS. If the flames do not go out immediately, EVACUATE AND CALL THE FIRE DEPARTMENT.
- NEVER PICK UP A FLAMING PAN - You may be burned.
- DO NOT USE WATER, including wet dishcloths or towels - a violent steam explosion will result.
- Use an extinguisher ONLY if:
  - You know you have a Class ABC extinguisher, and you already know how to operate it.
  - The fire is small and contained in the area where it started.
  - The fire department is being called.
  - You can fight the fire with your back to an exit.

<sup>a</sup>Based on "Kitchen Fire Safety Tips" published by NFPA.

■ **WARNING:** To Reduce The Risk Of Fire Or Electric Shock, Do Not Use This Fan With Any Solid-State Speed Control Device.

- This appliance is not intended for use by people (including children) whose physical, sensory or mental capacities are different or impaired or who lack the necessary experience or knowledge/expertise to do so, unless such persons are supervised or are trained to operate the appliance by a person who accepts responsibility for their safety.

## READ AND SAVE THESE INSTRUCTIONS

# INSTALLATION REQUIREMENTS

## Tools and Parts

Gather the required tools and parts before starting installation. Read and follow the instructions provided with any tools listed here.

### Tools needed

- Level
- Drill
- 1¼" (3 cm) drill bit
- 1/8" (3 mm) drill bit if installing into wood and a 5/16" (8 mm) drill bit if installing optional backsplash kit.
- Pencil
- Wire stripper or utility knife
- Tape measure or ruler
- Pliers
- Caulking gun and weatherproof caulking compound
- Vent clamps
- Jigsaw or keyhole saw
- Flat-blade screwdriver
- Metal snips
- Phillips screwdriver
- Scissors

### Parts needed

- Home power supply cable
- 1 - 1/2" (12.7 mm) UL listed or CSA approved strain relief
- 3 UL listed wire connectors
- 1 wall or roof cap
- Metal vent system

### Parts supplied

Remove parts from packages. Check that all parts are included.

- 2 metal grease filters for 30" (76.2 cm) models
- 3 metal grease filters for 36" (91.4 cm) models
- 4 metal grease filters for 48" (121.9 cm) models
- Damper
- Hood canopy with blower and halogen lamps installed.
- 1 - 10" (25.4 cm) square to 10" (25.4 cm) round duct transition.
- 2 - 175 W infrared heat lamps
- Wood support
- Grease collectors
- 4 - 6 x 80 mm mounting screws
- 4 - 3.5 x 9.5 mm screws
- 6 - 4.2 x 19 mm screws

- 5 - M6 x 16 mm screws
- 5 - D6.4 x 11 mm washers
- 2 - D5.3 x 20 mm washers
- 2 - 10 x 50 mm wall anchors
- T20® TORX®†adapter

## Location Requirements

**IMPORTANT:** Observe all governing codes and ordinances. Have a qualified technician install the range hood. It is the installer's responsibility to comply with installation clearances specified on the model/serial/rating plate. The model/serial/rating plate is located inside the range hood on the rear wall of the range hood.

Canopy range hood location should be away from strong draft areas, such as windows, doors and strong heating vents.

Cabinet opening dimensions that are shown must be used. Given dimensions provide minimum clearance.

The canopy range hood is factory set for venting through the roof or through the wall.

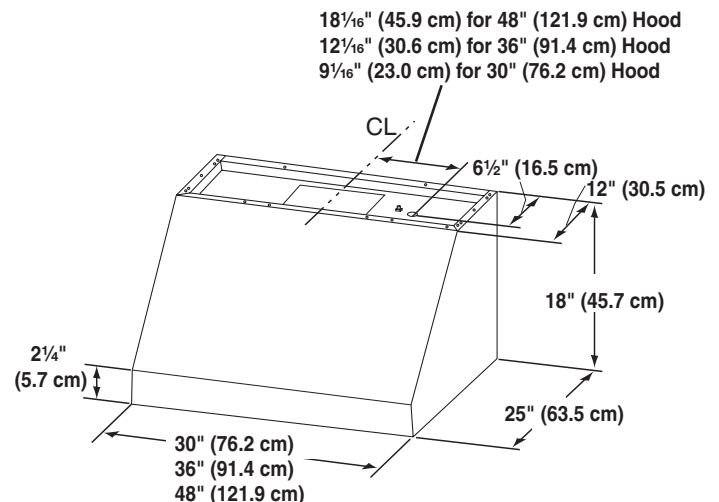
All openings in ceiling and wall where canopy range hood will be installed must be sealed.

### For Mobile Home Installations

The installation of this range hood must conform to the Manufactured Home Construction Safety Standards, Title 24 CFR, Part 328 (formerly the Federal Standard for Mobile Home Construction and Safety, Title 24, HUD, Part 280) or when such standard is not applicable, the standard for Manufactured Home Installation 1982 (Manufactured Home Sites, Communities and Setups) ANSI A225.1/NFPA 501A, or latest edition, or with local codes.

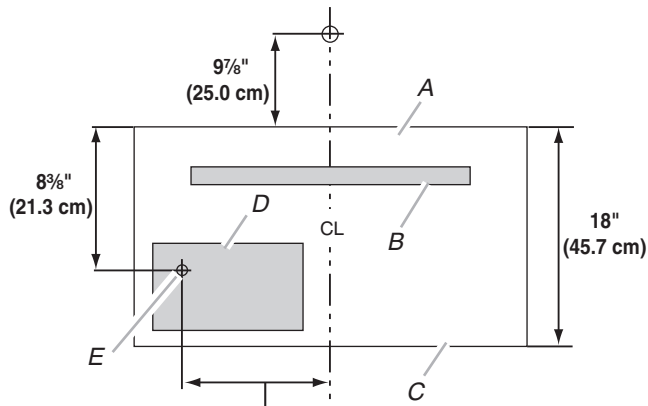
## Product Dimensions

### Front view



†®TORX and T20 are registered trademarks of Acument Intellectual Properties, LLC

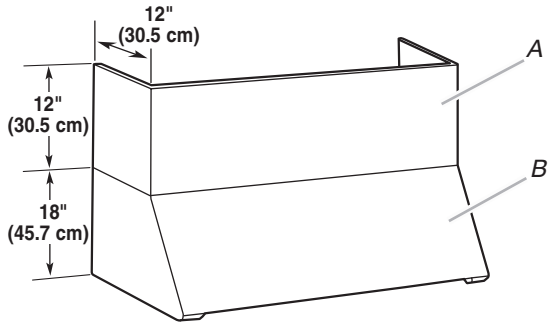
**Back view**



18 13/16" (47.8 cm) for 48" (121.9 cm) Hood  
 12 13/16" (32.5 cm) for 36" (91.4 cm) Hood  
 9 13/16" (24.9 cm) for 30" (76.2 cm) Hood

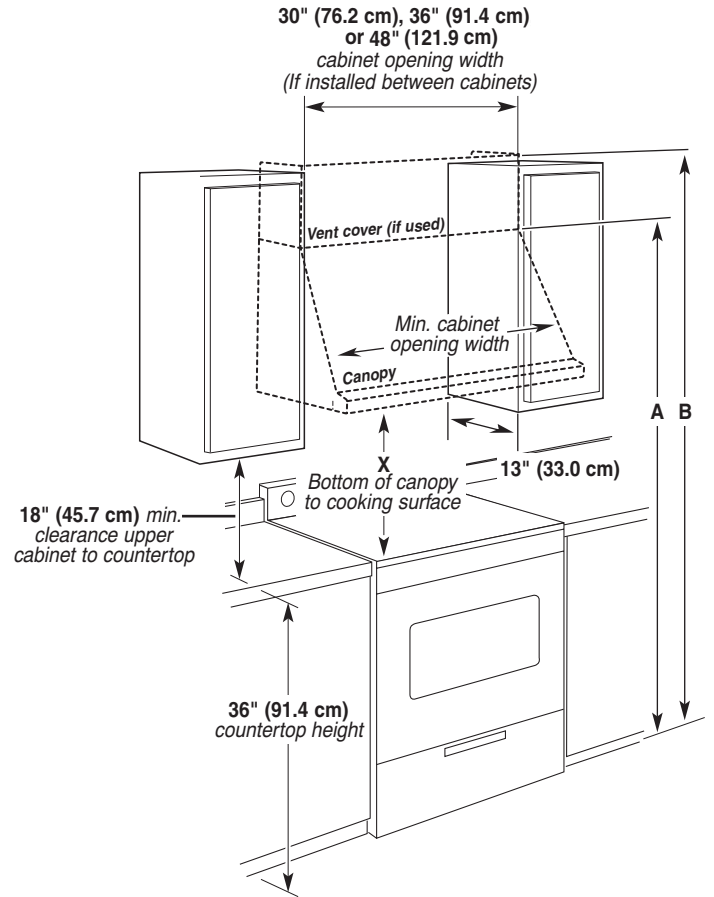
- A. Top of hood
- B. Wood support
- C. Bottom of hood
- D. Home wiring system
- E. Knockout into terminal box

**Optional Full-Width Duct Cover Installations**



- A. Optional full-width duct cover
- B. Range hood

**Installation Dimensions**



- A. 84" (213.4 cm) minimum for installations with canopy only.
- B. 96" (243.8 cm) minimum for installations with optional duct cover.

**IMPORTANT:**

Minimum distance "X": 30" (76.2 cm)  
 Suggested maximum distance "X": 36" (91.4 cm)

# Venting Requirements

- Vent system must terminate to the outdoors.
- Do not terminate the vent system in an attic or other enclosed area.
- Do not use 4" (10.2 cm) laundry-type wall caps.
- Use metal vent only. Rigid metal vent is recommended. Plastic or metal foil vent is not recommended.
- The length of vent system and number of elbows should be kept to a minimum to provide efficient performance.

## For the most efficient and quiet operation:

- Use no more than three 90° elbows.
- Make sure there is a minimum of 24" (61.0 cm) of straight vent between the elbows if more than 1 elbow is used.
- Do not install 2 elbows together.
- Use clamps to seal all joints in the vent system.
- The vent system must have a damper. If the roof or wall cap has a damper, do not use the damper supplied with the range hood.
- Use caulking to seal exterior wall or roof opening around the cap.
- The size of the vent should be uniform.

## Cold weather installations

An additional back draft damper should be installed to minimize backward cold air flow and a thermal break should be installed to minimize conduction of outside temperatures as part of the vent system. The damper should be on the cold air side of the thermal break.



The break should be as close as possible to where the vent system enters the heated portion of the house.

## Makeup air

Local building codes may require the use of makeup air systems when using ventilation systems greater than specified CFM of air movement. The specified CFM varies from locale to locale. Consult your HVAC professional for specific requirements in your area.

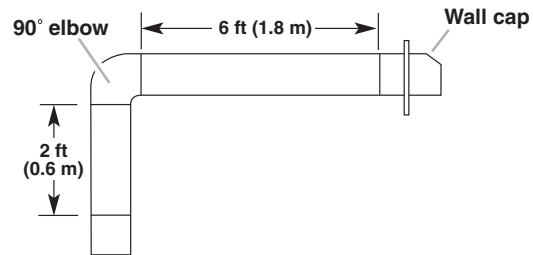
## Calculating Vent System Length

To calculate the length of the system you need, add the equivalent feet (meters) for each vent piece used in the system.

Vent Piece	Equivalent Length	
45° elbow	2.5 ft (0.8 m)	
90° elbow	5.0 ft (1.5 m)	

The maximum equivalent vent lengths are:  
10" (25.4 cm) round vents - 60 ft (18.3 m)

## Example vent system



The following example falls within the maximum recommended vent length.

1 - 90° elbow	= 5.0 ft (1.5 m)
1 - wall cap	= 0.0 ft (0.0 m)
8 ft (2.4 m) straight	= 8.0 ft (2.4 m)
<b>Length of system</b>	<b>= 13.0 ft (3.9 m)</b>

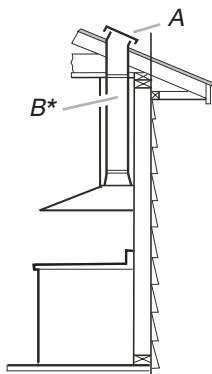
## Venting Methods

A 10" (25.4 cm) round vent system is needed for installation (not included). The hood exhaust opening is 10" (25.4 cm) round.

**NOTE:** Flexible vent is not recommended. Flexible vent creates back pressure and air turbulence that greatly reduce performance.

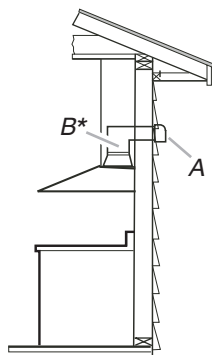
Vent system can terminate either through the roof or wall.

### Roof Venting



A. Roof cap  
B. 10" (25.4 cm) round vent

### Wall Venting



A. Wall cap  
B. 10" (25.4 cm) round vent

## Electrical Requirements

Observe all governing codes and ordinances.

Ensure that the electrical installation is adequate and in conformance with National Electrical Code, ANSI/NFPA 70 (latest edition), or CSA Standards C22.1-94, Canadian Electrical Code, Part 1 and C22.2 No. 0-M91 (latest edition) and all local codes and ordinances.

If codes permit and a separate ground wire is used, it is recommended that a qualified electrician determine that the ground path is adequate.

A copy of the above code standards can be obtained from:

National Fire Protection Association

1 Batterymarch Park  
Quincy, MA 02169-7471

CSA International  
8501 East Pleasant Valley Road  
Cleveland, OH 44131-5575

- A 120 V, 60 Hz. AC only, 15 A, fused electrical circuit is required.

- If the house has aluminum wiring, follow the procedure below:

Connect the aluminum wiring using special connectors and/or tools designed and UL listed for joining copper to aluminum.

Follow the electrical connector manufacturer's recommended procedure. Aluminum/copper connection must conform with local codes and industry accepted wiring practices.

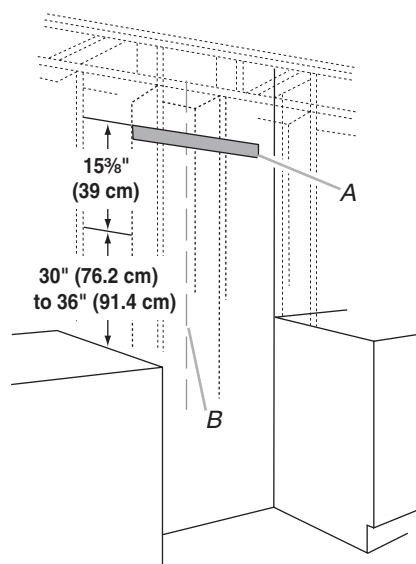
- Wire sizes and connections must conform with the rating of the appliance as specified on the model/serial/rating plate. The model/serial/rating plate is located behind the left filter on the rear wall of the range hood.
- Wire sizes must conform to the requirements of the National Electrical Code, ANSI/NFPA 70 (latest edition), or CSA Standards C22.1-94, Canadian Electrical Code, Part 1 and C22.2 No. 0-M91 (latest edition) and all local codes and ordinances.

## INSTALLATION INSTRUCTIONS

### Prepare Location

- It is recommended that the vent system be installed before hood is installed.
  - If you are installing the optional backsplash with shelves for heat lamps, follow the instructions included with that product.
  - Before making cutouts, make sure there is proper clearance within the ceiling or wall for exhaust vent.
  - Check that all installation parts have been removed from the shipping carton.
1. Disconnect power.
  2. Determine which venting method to use: roof or wall exhaust.
  3. Select a flat surface for assembling the range hood. Place covering over that surface.

3. Remove the wood support from the back of the range hood by loosening the 2 screws from the inside. Locate and level the top of the wood support  $15\frac{3}{8}$ " (39.1 cm) above the marked horizontal line and centered on the vertical centerline. Using 2 - 4 of the 6 x 80 mm screws, install wood support so that it is screwed into at least 2 vertical studs.



A. Wood support  
B. Centerline

### **! WARNING**

#### **Excessive Weight Hazard**

**Use two or more people to move and install range hood.**

**Failure to do so can result in back or other injury.**

4. Using 2 or more people, lift range hood onto covered surface.

### Range Hood Mounting Screws Installation

The hood is attached to the wall with the wood support that is attached to the back of the hood.

1. Determine and mark the centerline on the wall where the canopy range hood will be installed.
2. Select a mounting height between a minimum of 30" (76.2 cm) and a suggested maximum of 36" (91.4 cm) above the cooking surface and the bottom of the range hood, and mark a horizontal reference line on the wall.

**NOTE:** The screws provided for mounting this hood must be fastened into solid wood. Do not fasten into sheet rock only.

### Optional Duct Cover Installation

1. Attach the full-width duct cover to the top of the range hood with the screws provided with duct covers. The duct cover must be attached to the top of the range hood before mounting the range hood to the wall. For information on ordering the optional duct cover, see the "Accessories" section.



## Complete Preparation

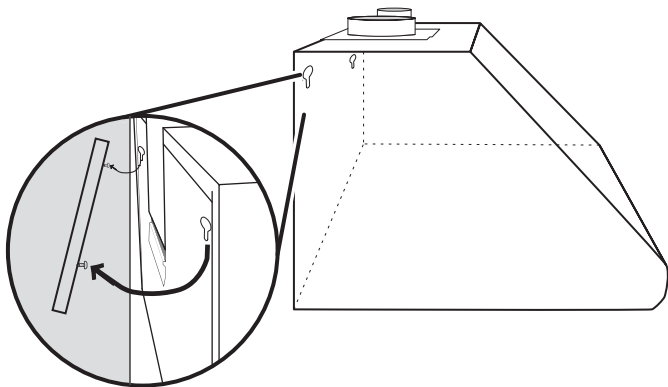
1. Determine and make all necessary cuts in the wall for the vent system. Install the vent system before installing the range hood. See the "Venting Requirements" section.
2. Determine the location where the power supply cable will be run through the wall.
3. Drill a 1/4" (3.2 cm) hole at this location.
4. Pull enough power supply cable through the wall to allow for easy connection to the terminal box.
5. Install the 10" (25.4 cm) square x 10" (25.4 cm) round vent transition with damper to top of the range hood using 4 - 3.5 x 9.5 mm screws.
6. Remove terminal box cover and set aside.
7. Remove knockout from the back of the vent hood and install a UL listed or CSA approved 1/2" strain relief. See "Make Electrical Connection" section.
8. Place the range hood near its mounting position and run the power supply cable through the strain relief into terminal box (enough to make connection).
9. Tighten the strain relief screws.

## Install Range Hood

The hood attaches to the wall by the 2 mounting screws in the wood support mounted to the wall in "Range Hood Mounting Screws Installation" in the "Prepare Location" section.

1. Using 2 or more people, hang the range hood on the wall by placing the slotted holes in the range hood back over the 2 screws mounted to the wood support mounted to the wall.

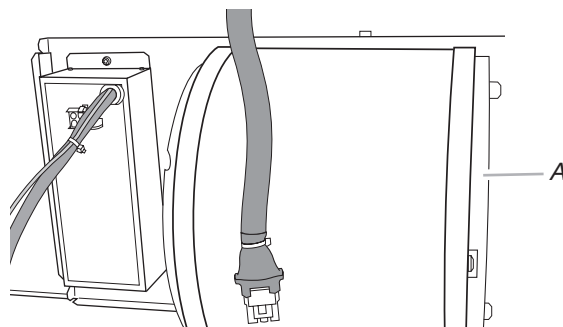
**NOTE:** If your installation uses the optional duct cover, the vent system needs to be connected to the hood and the duct cover mounted to the top of the range hood before tightening the mounting screws. See steps 5 and 6.



2. Push the range hood up into the narrow slots, align the bottom of the hood to the horizontal line, level the hood, and tighten the 2 mounting screws.
3. Mark 2 lower mounting hole locations. Drill 1/8" pilot holes if the holes are located in wood. If holes are not located in wood, remove the hood and drill two 3/8" pilot holes and insert 10 x 50 mm wall anchors. Remount the hood, level, and tighten the upper screws. Install 2 - 6 x 80 mm screws into the lower mounting anchors and tighten.
4. Install 4 - 4.2 x 19 mm screws through the back of the hood into the wood support and tighten.
5. Connect vent system to hood. Seal all joints with clamps.
6. If your installation uses the optional duct cover, mount it to the top of the range hood following the instructions supplied with the duct cover.

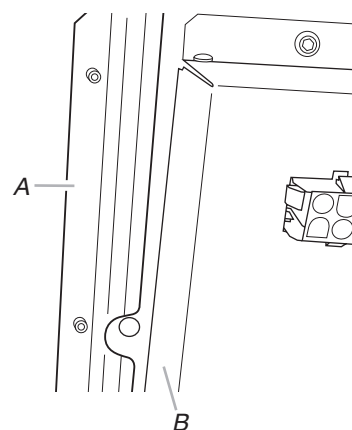
## Install Range Hood Blower Motor

1. Install the range hood blower motor assembly inside the hood canopy with the wiring to the left.



A. Blower motor

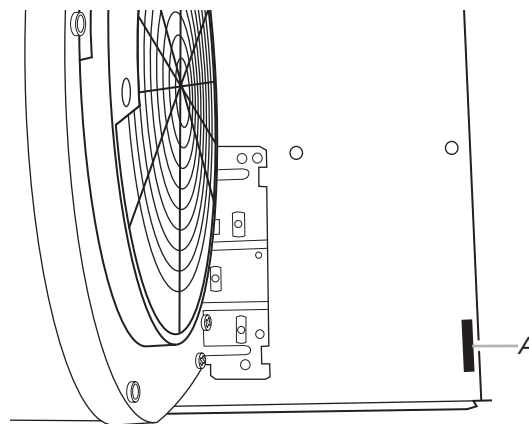
2. Slide the left mounting plate flange under the bracket.



A. Bracket  
B. Mounting plate flange

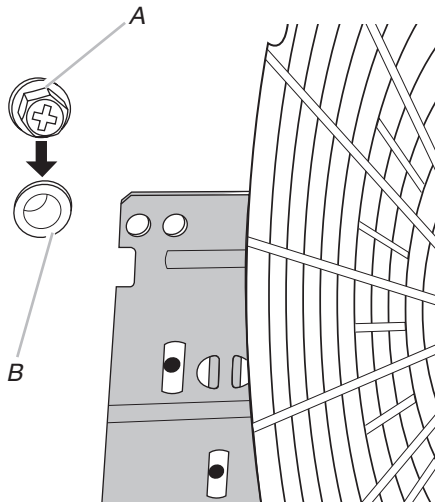
3. Push the right end of the mounting plate up and snap into spring tab.

**NOTE:** The spring tab should be outside of the slot in the mounting plate.



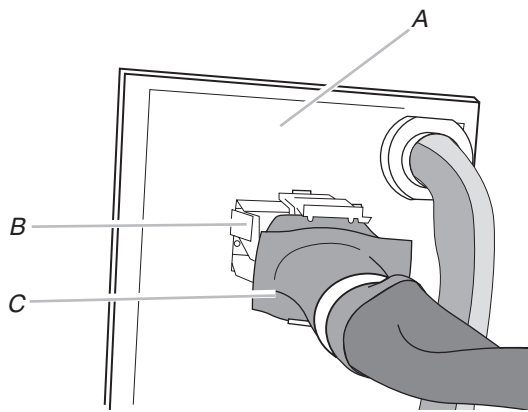
A. Spring tab

- Align mounting holes and install 5 - 6 x 16 mm screws.



A. Screw  
B. Mounting hole

- Attach power cord connector to connector on wire box on blower motor mounting plate.



A. Blower motor mounting plate  
B. Wire box connector  
C. Power cord

## Make Electrical Connection

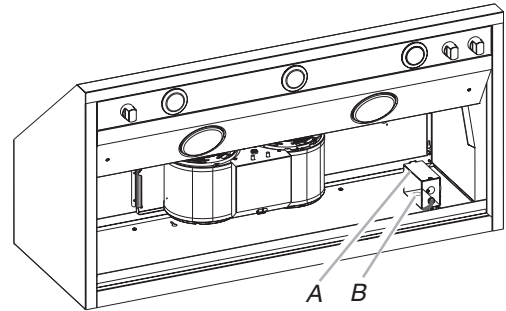
### ⚠ WARNING



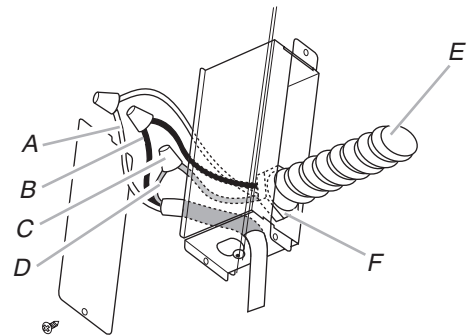
#### Electrical Shock Hazard

**Disconnect power before servicing.**  
**Replace all parts and panels before operating.**  
**Failure to do so can result in death or electrical shock.**

- Disconnect power.
- Locate junction box inside of the range hood.



A. Terminal box cover  
B. Knockout in canopy back into terminal box



A. White wires  
B. Black wires  
C. UL listed wire connectors  
D. Green, bare or yellow/green wires  
E. Home power supply  
F. UL listed or CSA approved 1/2" strain relief

3. Use UL listed wire connectors and connect black wires (B) together.
4. Use UL listed wire connectors and connect white wires (A) together.

## ⚠️ WARNING



### Electrical Shock Hazard

Electrically ground blower.

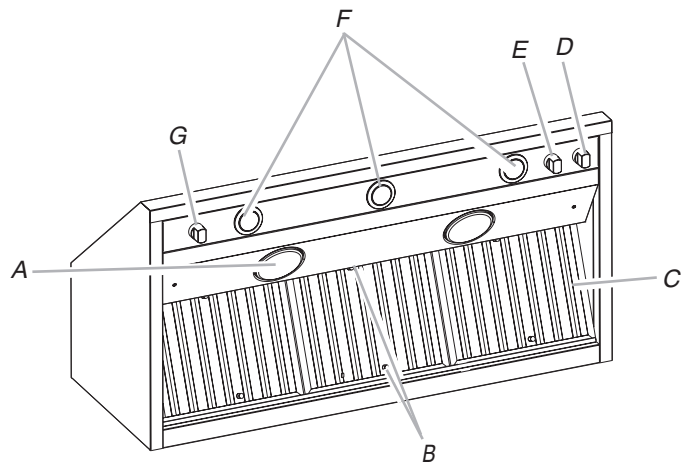
Connect ground wire to green and yellow ground wire in terminal box.

Failure to do so can result in death or electrical shock.

5. Connect green (or bare) ground wire from home power supply to the green/yellow ground wire (D) in terminal box using UL listed wire connectors.
6. Install terminal box cover.
7. Check that all light bulbs are secure in their sockets.
8. Reconnect power.

## Complete Installation and Check Operation

1. Install grease filters. See the “Range Hood Care” section.
2. Install heat lamps into heat lamp sockets.
3. Check operation of the range hood blower and lights. See the “Range Hood Use” section.



- |                          |                           |
|--------------------------|---------------------------|
| A. Infrared lamp         | E. Halogen light switch   |
| B. Grease filter handles | F. Halogen lights         |
| C. Grease filter         | G. Infrared lamp controls |
| D. Blower control switch |                           |

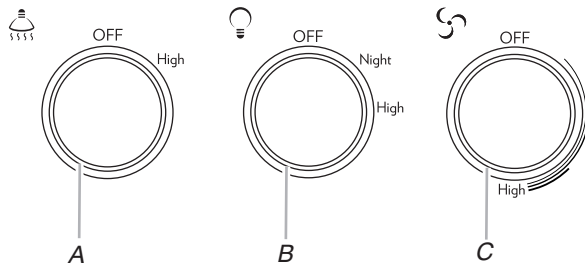
4. If range hood does not operate, check to see whether a circuit breaker has tripped or a household fuse has blown. Disconnect power supply and check that the wiring is correct.

**NOTE:** To get the most efficient use from your new range hood, read the “Range Hood Use” section.

# RANGE HOOD USE

The range hood is designed to remove smoke, cooking vapors and odors from the cooktop area. For best results, start the hood before cooking and allow it to operate several minutes after the cooking is complete to clear all smoke and odors from the kitchen.

The hood controls are located on the right-hand underside of the range hood.



A. Infrared lamp switch  
B. Halogen light switch  
C. Blower control switch

## Range Hood Controls

### Operating the lights

1. Turn the light switch to the Night position to use the range hood lights as a night light.
2. Turn the light switch to the High position to turn the range hood lights On.
3. Turn the light switch to the Off position to turn the range hood lights Off.

### Operating the blower

1. Turn the blower switch to the first position to turn the range hood on Low.
2. Turn the blower switch to the second position to turn the range hood on Medium.
3. Turn the blower switch to the third position to turn the range hood on Medium - High.
4. Turn the blower switch to the High position to turn the range hood on High.
5. Turn the blower switch to the Off position to turn the range hood blower Off.

### Operating the heat lamp

**NOTE:** Heat lamp bulbs should be rated to a maximum of 175 W each.

## **⚠ WARNING**

### **Food Poisoning Hazard**

**Do not let food sit for more than one hour before or after cooking.**

**Doing so can result in food poisoning or sickness.**

1. Turn the heat lamp switch to the High position to turn the heat lamps On.
2. Turn the heat lamp switch to the Off position to turn the heat lamps Off.

# RANGE HOOD CARE

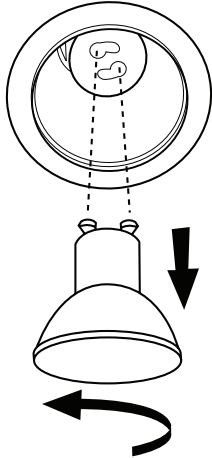
## Range Hood Lamps

### Replacing a Halogen Lamp

Turn off the range hood and allow the halogen lamp to cool. To avoid damage or decreasing the life of the new bulb, do not touch bulb with bare fingers. Replace bulb, using tissue or wearing cotton gloves to handle bulb.

If new lamps do not operate, make sure the lamps are inserted correctly before calling service.

1. Disconnect power.
2. Push up on the lens and turn it counterclockwise.



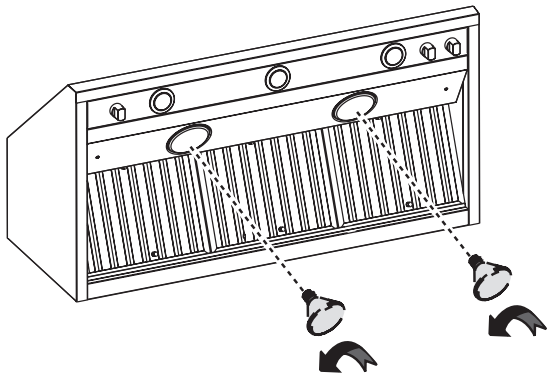
3. Remove the bulb and replace it with a 120 V, 50 W maximum halogen bulb with a GU10 base. Turn it clockwise to lock it into place.
4. Repeat steps 2 and 3 for the other bulb if needed.
5. Reconnect power.

### Replacing the Infrared Heat Lamps

Turn off the range hood and allow the infrared heat lamp to cool. To avoid damage or decreasing the life of the new lamp, do not touch lamp with bare fingers. Replace lamp, using tissue or wearing cotton gloves to handle lamp.

If new lamps do not operate, make sure the lamps are inserted correctly before calling service.

1. Disconnect power.
2. Twist lamp counterclockwise to remove.



3. Remove the lamp and replace it with a 120 V, 175 W maximum, PAR38 IR lamp made for E-26 base. Twist lamp clockwise to screw it into place.

4. Repeat steps 2 and 3 for the other lamp if needed.
5. Reconnect power.

## Cleaning

### Exterior surfaces:

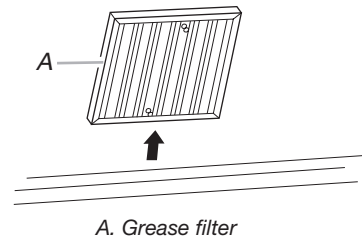
To avoid damage to the exterior surface, do not use steel wool or soap-filled scouring pads. Rub in direction of the grain line to avoid scratching the surface.

Always wipe dry to avoid water marks.

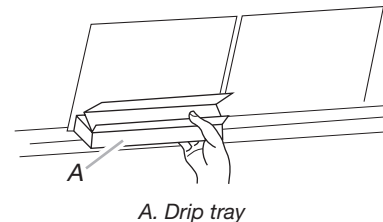
- Stainless Steel Cleaner and Polish.
- Mild liquid detergent and water.
- Wipe with damp soft cloth or nonabrasive sponge, then rinse with clean water and wipe dry.

### Metal Filters and Drip Trays:

Use 2 hands to remove filters. Grasp filter handles, pull toward the front of range hood and pull down on the rear handle to remove. Repeat for each filter.



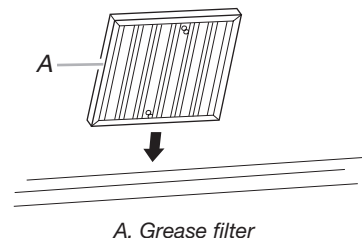
Remove grease drip tray.



Wash metal filters and grease trays as needed in dishwasher or hot detergent solution to clean.

Replace grease drip tray.

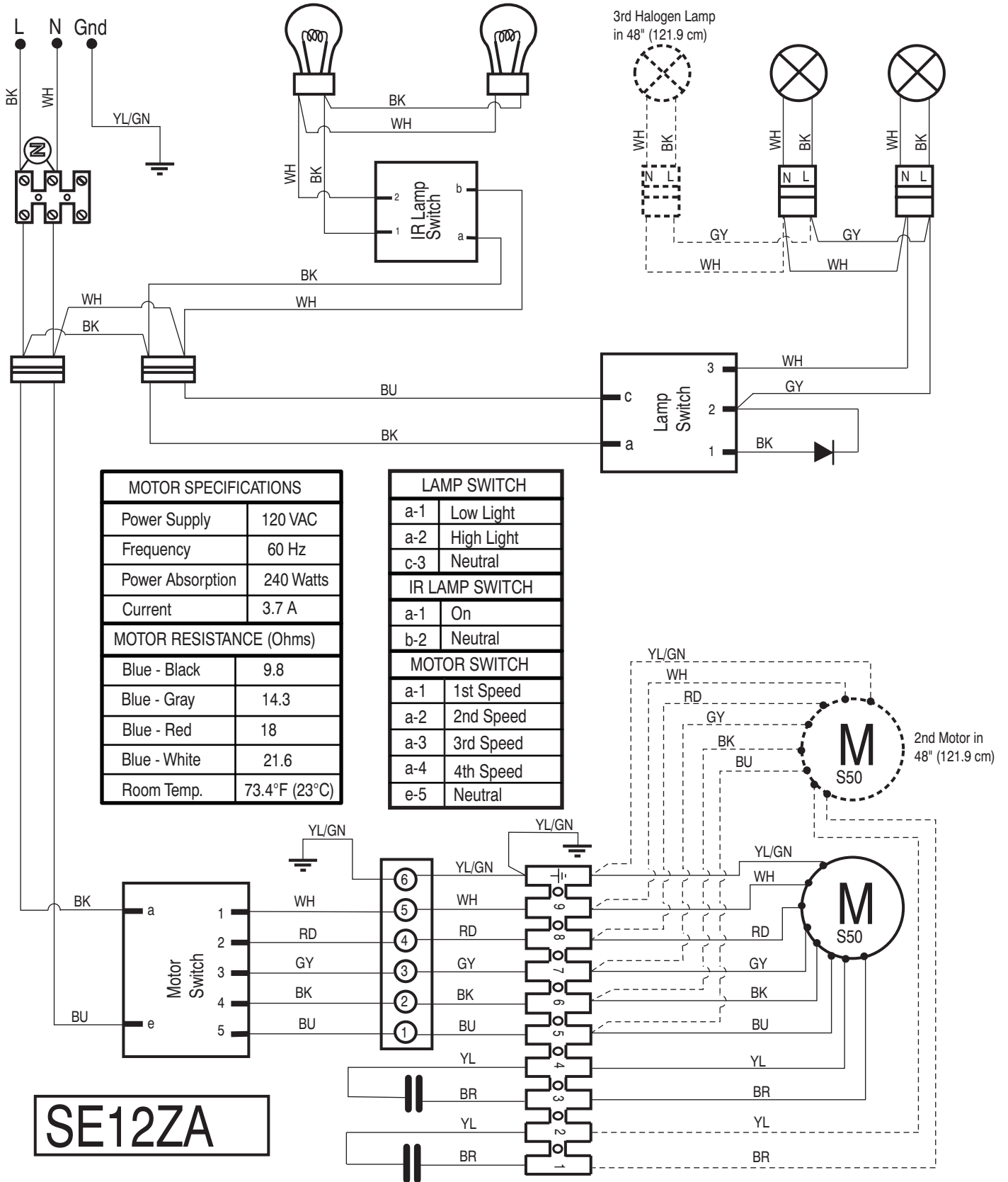
Reinstall filters, grasp filter handles and place front edge of filter into the hood. Push up on the back handle and set rear of filter into the drip tray to secure. Repeat for each filter.



### Thermal Protector

The range hood is equipped with a thermal protector to avoid overheating conditions. If the range hood shuts off while in use, move the blower switch to the Off position. Wait approximately 60 minutes, then move the blower switch to the first position to restart the range hood.

# WIRING DIAGRAM



MOTOR SPECIFICATIONS	
Power Supply	120 VAC
Frequency	60 Hz
Power Absorption	240 Watts
Current	3.7 A
MOTOR RESISTANCE (Ohms)	
Blue - Black	9.8
Blue - Gray	14.3
Blue - Red	18
Blue - White	21.6
Room Temp.	73.4°F (23°C)

LAMP SWITCH	
a-1	Low Light
a-2	High Light
c-3	Neutral
IR LAMP SWITCH	
a-1	On
b-2	Neutral
MOTOR SWITCH	
a-1	1st Speed
a-2	2nd Speed
a-3	3rd Speed
a-4	4th Speed
e-5	Neutral

**SE12ZA**

---

# ASSISTANCE OR SERVICE

---

## If you need service

Please refer to the warranty page in this manual.

## If you need replacement parts

If you need to order replacement parts, we recommend that you use only factory specified parts. Factory specified parts will fit right and work right because they are made with the same precision used to build every new appliance.

To locate factory specified replacement parts in your area, call the following customer assistance telephone number or your nearest designated service center.

---

## In the U.S.A.

Call JennAir Customer eXperience Center toll free: **1-800-JENNAIR (1-800-536-6247)** or visit our website at **www.jennair.com**.

### Our consultants provide assistance with:

- Scheduling of service. JennAir® appliances designated service technicians are trained to fulfill the product warranty and provide after-warranty service anywhere in the United States.
- Features and specifications on our full line of appliances.
- Referrals to local JennAir® appliance dealers.
- Installation information.
- Use and maintenance procedures.
- Accessory and repair parts sales.
- Specialized customer assistance (Spanish speaking, hearing impaired, limited vision, etc.).

### For further assistance

If you need further assistance, you can write to JennAir® Appliances with any questions or concerns at:  
JennAir Brand Home Appliances  
Customer eXperience Center  
553 Benson Road  
Benton Harbor, MI 49022-2692

Please include a daytime phone number in your correspondence.

---

## In Canada

Call the Whirlpool Canada LP Customer eXperience Centre toll free at **1-800-JENNAIR (1-800-536-6247)** or visit our website at **www.jennair.ca**.

### Our consultants provide assistance with:

- Scheduling of service. JennAir® appliances designated service technicians are trained to fulfill the product warranty and provide after-warranty service anywhere in Canada.
- Features and specifications on our full line of appliances.
- Referrals to local JennAir® appliance dealers.
- Installation information.
- Use and maintenance procedures.
- Accessory and repair parts sales.

### For further assistance

If you need further assistance, you can write to JennAir® Appliances with any questions or concerns at:

JennAir Brand Home Appliances  
Customer eXperience Centre  
200 - 6750 Century Ave.  
Mississauga, Ontario L5N 0B7

Please include a daytime phone number in your correspondence.

---

## Accessories

### Full-Width Duct Cover

Order Part Number W10272079 for 30" (76.2 cm) model  
Order Part Number W10272080 for 36" (91.4 cm) model  
Order Part Number W10272081 for 48" (121.9 cm) model

### Backsplash Kit (with shelves)

Order Part Number W10285447 for 30" (76.2 cm) model  
Order Part Number W10285448 for 36" (91.4 cm) model  
Order Part Number W10285449 for 48" (121.9 cm) model

# SÉCURITÉ DE LA HOTTE DE CUISINIÈRE

## Votre sécurité et celle des autres est très importante.

Nous donnons de nombreux messages de sécurité importants dans ce manuel et sur votre appareil ménager. Assurez-vous de toujours lire tous les messages de sécurité et de vous y conformer.



Voici le symbole d'alerte de sécurité.

Ce symbole d'alerte de sécurité vous signale les dangers potentiels de décès et de blessures graves à vous et à d'autres.

Tous les messages de sécurité suivront le symbole d'alerte de sécurité et le mot "DANGER" ou "AVERTISSEMENT". Ces mots signifient :

**⚠ DANGER**

**Risque possible de décès ou de blessure grave si vous ne suivez pas immédiatement les instructions.**

**⚠ AVERTISSEMENT**

**Risque possible de décès ou de blessure grave si vous ne suivez pas les instructions.**

Tous les messages de sécurité vous diront quel est le danger potentiel et vous disent comment réduire le risque de blessure et ce qui peut se produire en cas de non-respect des instructions.



# IMPORTANTES INSTRUCTIONS DE SÉCURITÉ

**AVERTISSEMENT : POUR RÉDUIRE LE RISQUE D'INCENDIE, DE DÉCHARGE ÉLECTRIQUE OU DE BLESSURES, RESPECTER LES INSTRUCTIONS SUIVANTES :**

- Utiliser cet appareil uniquement selon les modalités d'utilisation prévues par le fabricant. Pour toute question, contacter le fabricant.
- Avant d'entreprendre une opération d'entretien ou de nettoyage sur l'appareil, interrompre l'alimentation de l'appareil au panneau de distribution et verrouiller ce dernier pour empêcher tout rétablissement accidentel de l'alimentation du circuit. Lorsqu'il n'est pas possible de verrouiller le tableau de distribution, placer sur ce dernier une étiquette d'avertissement bien en vue interdisant le rétablissement de l'alimentation.
- Tout travail d'installation ou câblage électrique doit être réalisé par une personne qualifiée, dans le respect des prescriptions de tous les codes et toutes les normes applicables, y compris les codes du bâtiment et de protection contre les incendies.
- Ne pas faire fonctionner un ventilateur dont le cordon ou la fiche est endommagé. Jeter le ventilateur ou le retourner à un centre de service agréé pour examen ou réparation.
- Une source d'air de débit suffisant est nécessaire pour que la combustion et l'évacuation des gaz puissent s'effectuer correctement par la cheminée de l'appareil à gaz, afin d'éviter tout reflux des gaz de combustion. Respecter les directives du fabricant de l'équipement de chauffage et les prescriptions des normes de sécurité – comme celles publiées par la National Fire Protection Association (NFPA) et l'American Society for Heating, Refrigeration and Air Conditioning Engineers (ASHRAE), ainsi que les prescriptions des autorités réglementaires locales.
- Lors des opérations de découpage et de perçage dans un mur ou un plafond, ne pas endommager les câblages électriques et les canalisations qui peuvent s'y trouver.
- Les ventilateurs d'évacuation doivent toujours décharger l'air vers l'extérieur.

**MISE EN GARDE :** Cet appareil est conçu uniquement pour la ventilation générale. Ne pas l'utiliser pour l'extraction de matières ou vapeurs dangereuses ou explosives.

**MISE EN GARDE :** Pour réduire le risque d'incendie et évacuer adéquatement les gaz, acheminer l'air aspiré par un conduit jusqu'à l'extérieur – ne pas décharger l'air aspiré dans un espace vide du bâtiment comme une cavité murale, un plafond, un grenier, un vide sanitaire ou un garage.

**AVERTISSEMENT :** POUR RÉDUIRE LE RISQUE D'INCENDIE, UTILISER UNIQUEMENT DES CONDUITS MÉTALLIQUES.

**AVERTISSEMENT : POUR RÉDUIRE LE RISQUE D'UN FEU DE GRAISSE SUR LA CUISINIÈRE :**

- Ne jamais laisser un élément de surface fonctionner à puissance maximale sans surveillance. Un renversement/débordement de matière grasseuse peut provoquer des flammes et générer de la fumée. Chauffer l'huile à une puissance moyenne ou basse.
- Veiller à toujours faire fonctionner le ventilateur de la hotte lors de la cuisson avec une puissance élevée ou lors de la cuisson d'un mets à flamber (à savoir crêpes Suzette, cerises jubiléées, steak au poivre flambé).
- Nettoyer fréquemment le ventilateur d'extraction. Veiller à ne pas laisser la graisse s'accumuler sur les surfaces du ventilateur ou des filtres.
- Utiliser toujours un ustensile de taille appropriée. Utiliser toujours un ustensile adapté à la taille de l'élément chauffant.

**AVERTISSEMENT : POUR RÉDUIRE LE RISQUE DE BLESSURES APRÈS LE DÉCLENCHEMENT D'UN FEU DE GRAISSE SUR LA CUISINIÈRE, RESPECTER LES RECOMMANDATIONS SUIVANTES<sup>a</sup>:**

- Placer sur le récipient un couvercle bien ajusté, une tôle à biscuits ou un plateau métallique **POUR ÉTOUFFER LES FLAMMES**, puis éteindre le brûleur. **VEILLER À ÉVITER LES BRÛLURES**. Si les flammes ne s'éteignent pas immédiatement, **ÉVACUER LA PIÈCE ET APPELER LES POMPIERS**.
- **NE JAMAIS PRENDRE EN MAIN UN RÉCIPIENT ENFLAMMÉ** – Vous risquez de vous brûler.
- **NE PAS UTILISER D'EAU** ni de torchon humide – ceci pourrait provoquer une explosion de vapeur brûlante.
- Utiliser un extincteur **SEULEMENT** si :
  - Il s'agit d'un extincteur de classe ABC, dont on connaît le fonctionnement.
  - Il s'agit d'un petit feu encore limité à l'endroit où il s'est déclaré.
  - Les pompiers ont été contactés.
  - Il est possible de garder le dos orienté vers une sortie pendant l'opération de lutte contre le feu.

<sup>a</sup>Recommandations tirées des conseils de sécurité en cas d'incendie de cuisine publiés par la NFPA.

- **AVERTISSEMENT :** Pour réduire le risque d'incendie ou de décharge électrique, ne pas utiliser ce ventilateur avec un dispositif de réglage de la vitesse à semi-conducteurs.
- Cet appareil ne convient pas à une utilisation par des personnes (y compris des enfants) dont les capacités physiques, sensorielles ou mentales sont différentes ou réduites ou qui ne possèdent pas l'expérience, les connaissances ou l'expertise nécessaire, à moins d'être supervisées ou d'avoir reçu des instructions concernant l'utilisation par une personne responsable de leur sécurité.

## LIRE ET CONSERVER CES INSTRUCTIONS

# EXIGENCES D'INSTALLATION

## Outillage et pièces

Rassembler les outils et pièces nécessaires avant de commencer l'installation. Lire et suivre les instructions fournies avec les outils indiqués ici.

### Outils nécessaires

- Niveau
- Perceuse
- Foret de 1 1/4" (3 cm)
- Foret de 1/8" (3 mm) en cas d'installation dans du bois et foret de 5/16" (8 mm) en cas d'installation de l'ensemble de dossier facultatif.
- Crayon
- Pince à dénuder ou couteau utilitaire
- Mètre-ruban ou règle
- Pince
- Pistolet à calfeutrage et composé de calfeutrage résistant aux intempéries
- Brides de serrage pour conduit d'évacuation
- Scie sauteuse ou scie à guichet
- Tournevis à lame plate
- Cisaille de ferblantier
- Tournevis Phillips
- Ciseaux

### Pièces nécessaires

- Câble d'alimentation électrique du domicile
- 1 serre-câble de 1/2" (12,7 mm) (homologation UL ou CSA)
- 2 connecteurs de fils homologués UL
- 1 bouche de décharge (décharge à travers le mur ou à travers le toit)
- Conduit d'évacuation métallique

### Pièces fournies

Retirer les pièces des emballages. Vérifier que toutes les pièces sont présentes.

- 2 filtres à graisse métalliques, pour modèle de 30" (76,2 cm)
- 3 filtres à graisse métalliques, pour modèle de 36" (91,4 cm)
- 4 filtres à graisse métalliques, pour modèle de 48" (121,9 cm)
- Clapet
- Auvent de hotte avec ventilateur et lampes à halogène.
- 1 raccord de conduit carré de 10" (25,4 cm) à conduit rond de 10" (25,4 cm).
- 2 lampes à rayons infrarouges de 175 W.
- Support en bois
- Collecteurs de graisse
- 4 vis de montage de 6 x 80 mm
- 4 vis de 3,5 x 9,5 mm
- 6 vis de 4,2 x 19 mm
- 5 vis de M6 x 16 mm
- 5 joints de D6,4 x 11 mm

- 2 joints de D5,3 x 20 mm
- 2 chevilles d'ancrage de 10 x 50 mm
- Adaptateur TORX† T20

## Exigences d'emplacement

**IMPORTANT :** Observer les dispositions de tous les codes et règlements en vigueur.

Confier l'installation de la hotte à un technicien qualifié. C'est à l'installateur qu'incombe la responsabilité de respecter les distances de séparation spécifiées sur la plaque signalétique de l'appareil. La plaque signalétique est située à l'intérieur de la hotte, sur la paroi arrière.

On doit toujours installer la hotte à distance des sources de courant d'air (fenêtres, portes et événements de chauffage puissants).

Respecter les dimensions indiquées pour les ouvertures à découper dans les placards. Ces dimensions tiennent compte des valeurs minimales des dégagements de séparation.

Cette hotte a été configurée à l'usine pour une décharge à travers le toit ou à travers le mur.

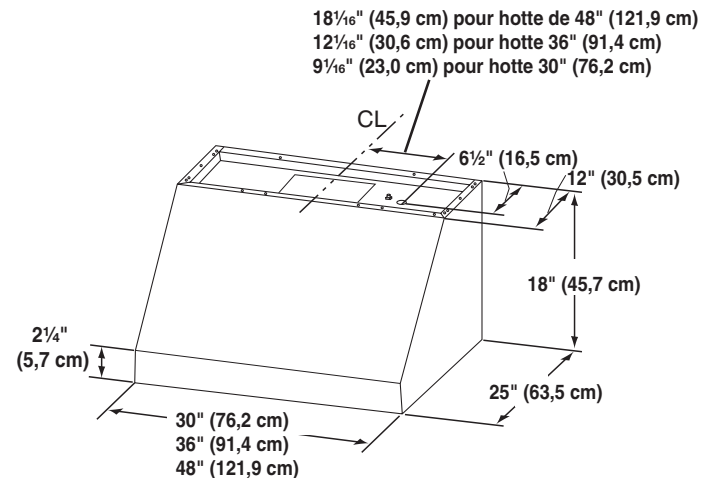
Assurer l'étanchéité au niveau de chaque ouverture découpée dans le plafond ou le mur pour l'installation de la hotte de cuisinière.

### Installation dans une résidence mobile

L'installation de cette hotte doit satisfaire aux exigences de la norme Manufactured Home Construction Safety Standards, Titre 24 CFR, partie 328 (anciennement Federal Standard for Mobile Home Construction and Safety, titre 24, HUD, partie 280); lorsque cette norme n'est pas applicable, l'installation doit satisfaire aux critères de la plus récente édition de la norme Manufactured Home Installation 1982 (Manufactured Home Sites, Communities and Setups) ANSI A225.1/NFPA 501A, ou des codes et règlements locaux.

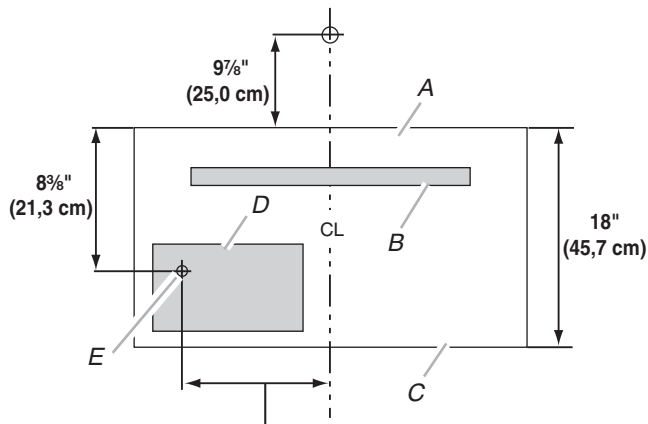
## Dimensions du produit

### Vue avant



†®TORX et T20 sont des marques déposées de Acument Intellectual Properties, LLC.

## Vue arrière



18 13/16" (47,8 cm) pour hotte de 48" (121,9 cm)

12 13/16" (32,5 cm) pour hotte de 36" (91,4 cm)

9 13/16" (24,9 cm) pour hotte de 30" (76,2 cm)

A. Haut de la hotte

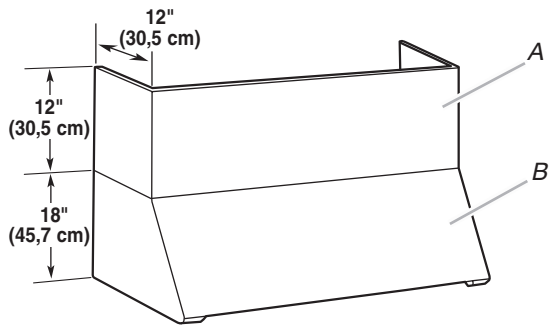
B. Support en bois

C. Bas de la hotte

D. Emplacement du câblage de la maison

E. Opercule arrachable dans le boîtier de connexion

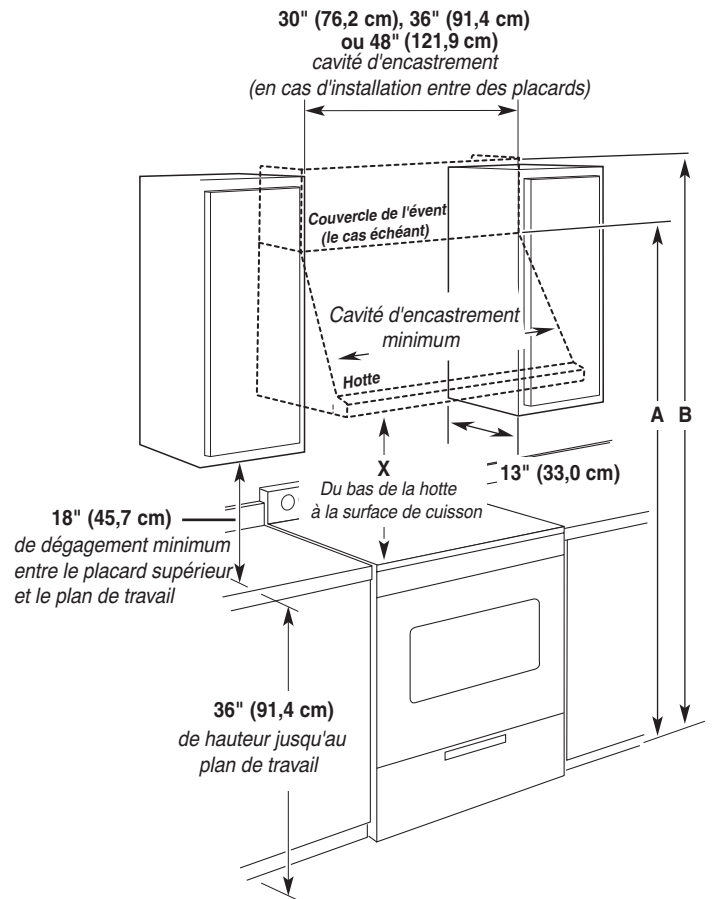
## Installations alternatives avec cache-conduit pleine largeur



A. Cache-conduit pleine largeur facultatif

B. Hotte

## Dimensions d'installation



A. 84" (213,4 cm) minimum pour les installations avec hotte uniquement.

B. 96" (243,8 cm) minimum pour les installations avec cache-conduit facultatif.

### IMPORTANT :

Valeur minimale de la distance "X" : 30" (76,2 cm)

Valeur maximale suggérée pour la distance "X" : 36" (91,4 cm)

## Exigences concernant l'évacuation

- Le système d'évacuation doit décharger l'air à l'extérieur.
- Ne pas terminer le système d'évacuation dans un grenier ou dans un autre espace fermé.
- Ne pas utiliser une bouche de décharge murale de 4" (10,2 cm) normalement utilisée pour un équipement de buanderie.
- Utiliser un conduit métallique uniquement. Un conduit en métal rigide est recommandé. Ne pas utiliser un conduit de plastique ou en feuille métallique.
- La longueur du système d'évacuation et le nombre de coudes doit être réduit au minimum pour fournir la meilleure performance.

### Pour un fonctionnement efficace et silencieux :

- Ne pas utiliser plus de trois coudes à 90°.
- Veiller à ce qu'il y ait une section droite de conduit de 24" (61,0 cm) ou plus entre deux coudes, si on doit utiliser plus d'un raccord coudé.
- Ne pas installer 2 coudes ensemble.
- Au niveau de chaque jointure du système d'évacuation, assurer l'étanchéité avec les brides de serrage pour conduit.
- Le système d'évacuation doit comporter un clapet. Si la bouche de décharge murale ou par le toit comporte un clapet, ne pas utiliser le clapet fourni avec la hotte de cuisinière.
- Autour de la bouche de décharge à l'extérieur (par le mur ou par le toit), assurer l'étanchéité avec un produit de calfeutrage.
- La taille du conduit doit être uniforme.

### Installations pour régions à climat froid

On doit installer un clapet anti-reflux additionnel à l'arrière pour minimiser le reflux d'air froid, et incorporer un élément d'isolation thermique pour minimiser la conduction de chaleur par l'intermédiaire du système d'évacuation. Le clapet anti-reflux doit être placé du côté air froid par rapport à l'élément d'isolation thermique.

L'élément d'isolation thermique doit être aussi proche que possible de l'endroit où le système d'évacuation s'introduit dans la partie chauffée de la maison.

### Air d'appoint

Les codes de bâtiment locaux peuvent exiger l'emploi d'un système d'appoint d'air lors de l'emploi d'un ventilateur d'extraction dont la capacité d'aspiration est supérieure à un débit (pieds cubes par minute) spécifié. Le débit spécifié, en pieds cubes par minute, est variable d'une juridiction à une autre. Consulter un professionnel des installations de chauffage ventilation/climatisation au sujet des exigences spécifiques applicables dans la juridiction locale.

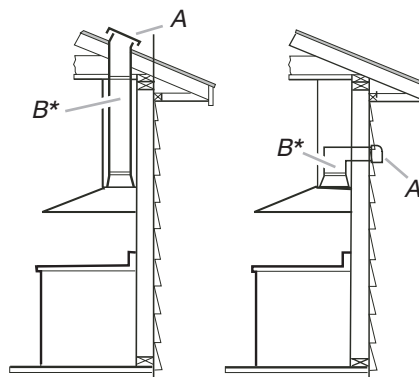
### Méthodes d'évacuation

Un circuit d'évacuation de conduits ronds de 10" (25,4 cm) est nécessaire pour l'installation (non fourni). La hotte comporte une ouverture de sortie de diamètre 10" (25,4 cm).

**REMARQUE :** On déconseille l'emploi d'un conduit flexible. Un conduit flexible peut causer une rétro-pression et des turbulences de l'air, ce qui réduit considérablement la performance.

La sortie à l'extérieur du circuit d'évacuation peut se faire à travers le toit ou à travers un mur.

### Décharge à travers le toit Décharge à travers le mur



A. Bouche de décharge à travers le toit  
B. Conduit rond de 10" (25,4 cm)

A. Bouche de décharge murale  
B. Conduit rond de 10" (25,4 cm)

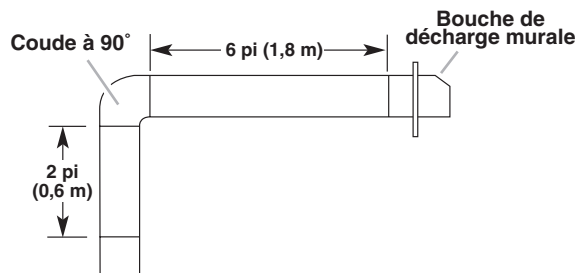
### Calcul de la longueur effective du circuit d'évacuation

Pour calculer la longueur effective du circuit d'évacuation nécessaire, additionner les longueurs équivalentes (pieds/mètres) de tous les composants utilisés dans le système.

Composant	Longueur équivalente	
Coude à 45°	2,5 pi (0,8 m)	
Coude à 90°	5 pi (1,5 m)	

Les longueurs équivalentes maximales sont :  
Conduits ronds de 10" (25,4 cm) - 60 pi (18,3 m)

### Exemple de système de décharge



L'exemple suivant indique la longueur de conduit recommandée maximum.

1 coude à 90°	= 5 pi (1,5 m)
1 bouche de décharge murale	= 0 pi (0 m)
Section droite de 8 pi (2,4 m)	= 8 pi (2,4 m)
Longueur du système	= 13 pi (3,9 m)

## Spécifications électriques

Observer les dispositions de tous les codes et règlements en vigueur.

S'assurer que l'installation électrique est correcte et qu'elle satisfait aux exigences de la plus récente édition de la norme National Electrical Code, ANSI/NFPA 70, ou de la norme CSA C22. 1-94, Code canadien de l'électricité, partie 1 et C22.2 n° 0-M91 (dernière édition) et de tous les codes et règlements en vigueur.

Si les codes le permettent et si l'on utilise un conducteur distinct de liaison à la terre, il est recommandé qu'un électricien qualifié vérifie la qualité de la liaison à la terre.

Pour obtenir un exemplaire des normes des codes ci-dessus, contacter :

National Fire Protection Association  
1 Batterymarch Park  
Quincy, MA 02169-7471

CSA International  
8501 East Pleasant Valley Road  
Cleveland, OH 44131-5575

- L'appareil doit être alimenté par un circuit de 120 V CA seulement, 60 Hz, 15 ampères, protégé par fusible.

- Si le domicile possède un câblage en aluminium, suivre la procédure ci-dessous :
1. Raccorder une section de câble en cuivre massif aux conducteurs en queue de cochon.
  2. Connecter le câblage en aluminium à la section ajoutée de câblage en cuivre en utilisant des connecteurs et/ou des outils spécialement conçus et homologués UL pour fixer le cuivre à l'aluminium.

Suivre la procédure recommandée par le fabricant de connecteurs électriques. Les raccordements aluminium/cuivre doivent satisfaire aux prescriptions des codes locaux et de l'industrie, et être conformes aux pratiques de câblage reconnues.

- Le calibre des conducteurs et les connexions doivent être compatibles avec les caractéristiques électriques de l'appareil spécifiées sur la plaque signalétique. La plaque signalétique de l'appareil est située derrière le filtre, sur la paroi arrière de la hotte.
- Le calibre des conducteurs doit être conforme aux exigences du National Electrical Code, de la plus récente édition de la norme ANSI/NFPA 70 ou des normes CSA C22. 1-94, Code canadien de l'électricité, partie 1 et C22.2 n° 0-M91 (édition la plus récente) et de tous les codes et règlements en vigueur.

## INSTRUCTIONS D'INSTALLATION

### Préparation de l'emplacement

- Il est recommandé d'installer le système d'évacuation avant de procéder à l'installation de la hotte.
  - Si l'on installe un dossier avec des tablettes pour les lampes à rayons infrarouges, suivre les instructions fournies avec ce produit-là.
  - Avant d'exécuter les découpages, vérifier la disponibilité d'un dégagement suffisant dans le plafond ou le mur pour le conduit d'évacuation.
  - Vérifier que les pièces d'installation ont été retirées du carton d'expédition.
1. Déconnecter la source de courant électrique.
  2. Déterminer la méthode d'évacuation à utiliser : par le toit ou le mur.
  3. Sélectionner une surface plane pour l'assemblage de la hotte. Placer le matériau de protection sur cette surface.

### **AVERTISSEMENT**

#### Risque du poids excessif

**Utiliser deux ou plus de personnes pour déplacer et installer la hotte de la cuisinière.**

**Le non-respect de cette instruction peut causer une blessure au dos ou d'autre blessure.**

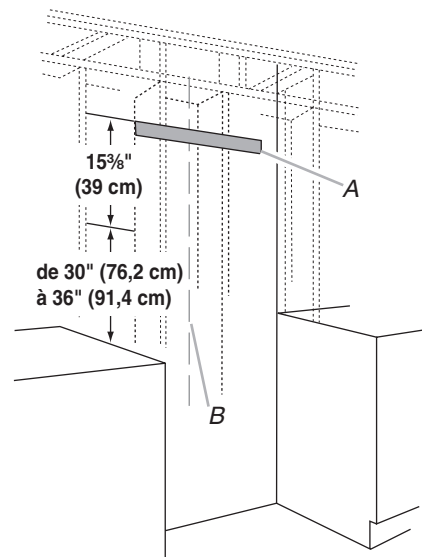
4. À l'aide de deux personnes ou plus, soulever la hotte et la poser sur la surface couverte.

### Installation des vis de montage de la hotte

La hotte est fixée au mur avec le support en bois qui est fixé à l'arrière de la hotte.

1. Déterminer l'emplacement de l'axe central sur le mur à l'endroit où la hotte sera installée et le tracer.

2. Choisir une hauteur de montage - minimum 30" (76,2 cm) et maximum conseillé de 36" (91,4 cm) - au-dessus de la surface de cuisson et du fond de la hotte et tracer une ligne de référence horizontale sur le mur.
3. Ôter le support en bois de l'arrière de la hotte en desserrant les 2 vis de l'intérieur. Placer et mettre d'aplomb le support en bois de 15<sup>3</sup>/<sub>8</sub>" (39,1 cm) au dessus de ligne de repérage horizontale et le centrer sur la ligne verticale. À l'aide de 2 à 4 vis de 6 x 80 mm, installer le support en bois de façon à ce qu'il soit vissé dans au moins 2 goujons verticaux.



A. Support en bois  
B. Axe central

**REMARQUE :** Les vis fournies pour le montage de cette hotte doivent être fixées dans du bois massif. Ne pas fixer uniquement dans du placo-plâtre.



## Installation avec cache-conduit facultative

1. Fixer le cache-conduit pleine largeur au sommet de la hotte à l'aide des vis fournies avec le cache-conduit. Le cacheconduit doit être fixé au sommet de la hotte avant de fixer la hotte au mur. Pour des renseignements sur la commande du cache-conduit facultatif, voir la section "Accessoires".

## Achever la préparation

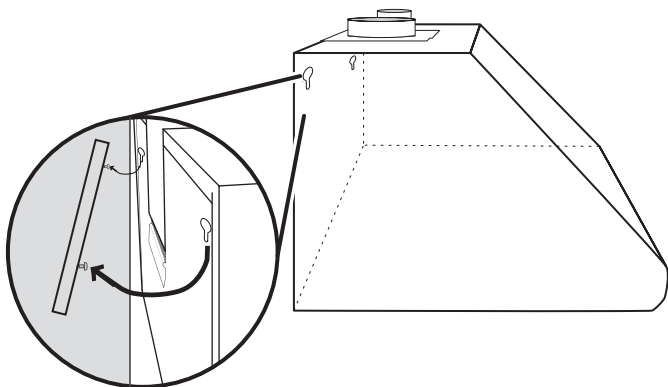
1. Déterminer et marquer toutes les lignes de découpage nécessaires sur le mur pour le passage du circuit d'évacuation. Installer le système d'évacuation avant la hotte. Voir la section "Exigences concernant l'évacuation".
2. Déterminer l'emplacement de passage du câble d'alimentation à travers le mur.
3. Percer un trou de 1 1/4" (3,2 cm) à cet emplacement.
4. Tirer suffisamment de câble d'alimentation à travers le mur pour permettre un raccordement facile jusqu'à la boîte de connexion.
5. Installer le raccord de transition (pour conduit carré de 10" (25,4 cm) et conduit rond de 10" (25,4 cm) avec volet de réglage au sommet de la hotte à l'aide de 4 vis de 3,5 x 9,5 mm.
6. Retirer le couvercle du boîtier de connexion et le mettre de côté.
7. Ôter l'opercule arrachable du boîtier de connexion et installer un serre-câble de 1/2" (homologation UL ou CSA). Voir la section "Raccordement électrique".
8. Placer la hotte près de sa position de montage et faire passer le câble d'alimentation à travers le serre-câble dans le boîtier de connexion (suffisamment pour établir la connexion).
9. Serrer les vis du serre-câble.

## Installation de la hotte

La hotte se fixe au mur à l'aide de 2 vis de montage dans le support en bois monté sur le mur dans la section "Installation des vis de montage de la hotte" dans la section "Préparation de l'emplacement".

1. À l'aide d'au moins 2 personnes, suspendre la hotte au mur en plaçant les fentes de l'arrière de la hotte sur les 2 vis montées sur le support en bois monté sur le mur.

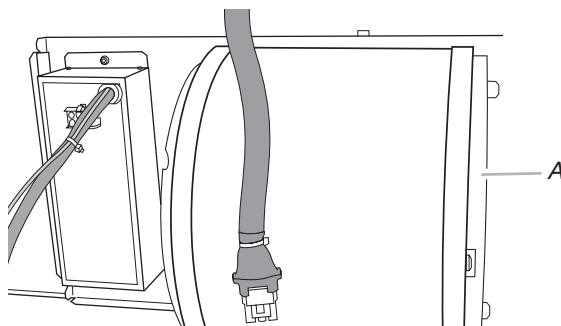
**REMARQUE :** Si votre installation utilise le cache-conduit facultatif, le système de ventilation doit être connecté à la hotte et le cache conduit monté au sommet de la hotte avant de serrer les vis de montage. Voir les étapes 5 et 6.



2. Pousser la hotte dans les fentes étroites, aligner le bas de la hotte sur la ligne horizontale, établir l'aplomb de la hotte, et serrer les 2 vis de montage.
3. Marquer les emplacements des 2 trous de montage inférieurs. Percer des avant-trous de 1/8" si les trous sont situés dans du bois. Si les trous ne sont pas situés dans du bois, ôter la hotte et percer deux avant-trous de 3/8" et insérer des chevilles d'ancrage mural de 10 x 50 mm. Remonter la hotte, en établir l'aplomb et serrer les vis supérieures. Installer les 2 vis de 6 x 80 mm dans les chevilles de montage inférieures et serrer.
4. Insérer 4 vis de 4,2 x 19 mm à travers l'arrière de la hotte dans le support en bois et serrer.
5. Connecter le circuit d'évacuation à la hotte. Utiliser des brides de serrage pour sceller chaque connexion.
6. Si votre installation utilise le cache-conduit facultatif, le monter sur le haut de la hotte en suivant les instructions fournies avec le cache-conduit.

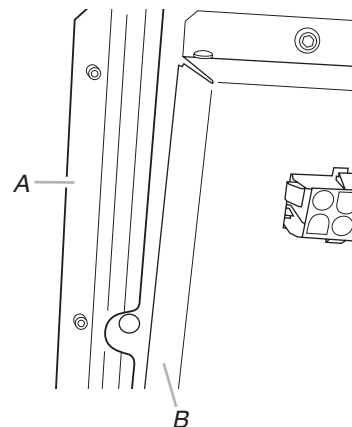
## Installation du moteur du ventilateur de la hotte

1. Installer l'ensemble du moteur du ventilateur de la hotte à l'intérieur de la hotte avec le câblage vers la gauche.



A. Moteur du ventilateur

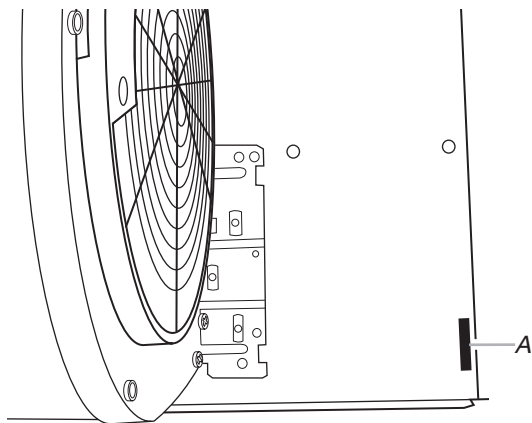
2. Glisser le panneau de la plaque de montage sous la bride.



A. Brides  
B. Panneau de la plaque de montage

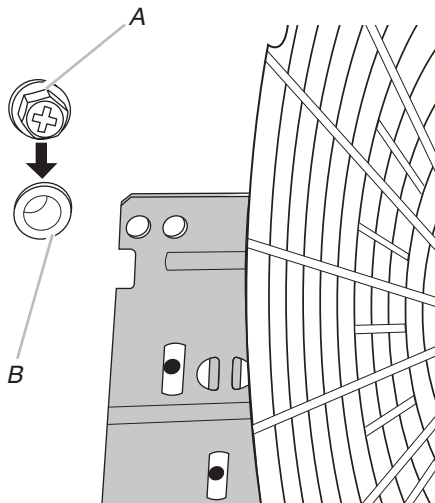
3. Pousser vers le haut l'extrémité droite de la plaque montage et enclencher dans le compensateur à ressort.

**REMARQUE :** Le compensateur à ressort doit être à l'extérieur de la fente dans la plaque de montage.



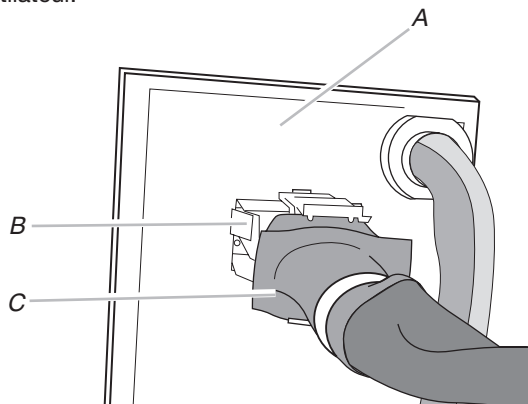
A. Compensateur à ressort

4. Aligner les trous de montage et insérer les 5 vis de 6 x 16 mm.



A. Vis  
B. Trou de montage

5. Fixer le raccord du cordon d'alimentation au raccord du boîtier de connexion sur la plaque de montage du moteur du ventilateur.



A. Plaque de montage du moteur du ventilateur  
B. Raccord du boîtier de connexion  
C. Cordon d'alimentation

## Raccordement électrique

### ⚠ AVERTISSEMENT



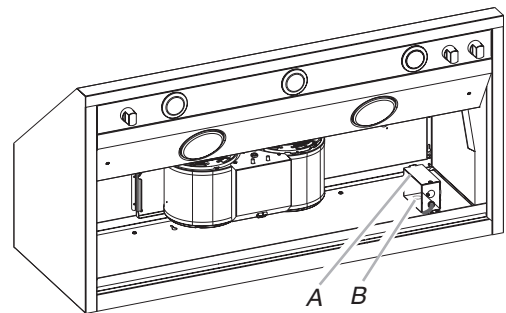
#### Risque de choc électrique

**Déconnecter la source de courant électrique avant l'entretien.**

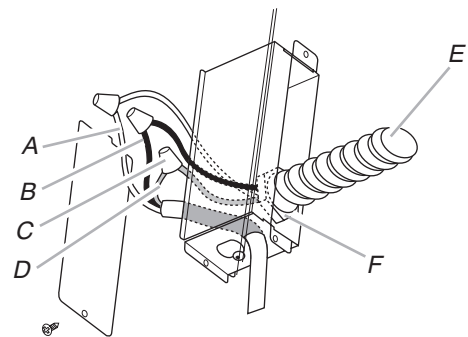
**Replacer pièces et panneaux avant de faire la remise en marche.**

**Le non-respect de ces instructions peut causer un décès ou un choc électrique.**

1. Déconnecter la source de courant électrique.
2. Placer le boîtier de connexion à l'intérieur de la hotte.



A. Couverture du boîtier de connexion  
B. Opercule arrachable à l'arrière de la hotte dans le boîtier de connexion



A. Conducteurs blancs  
B. Conducteurs noirs  
C. Connecteurs de fils (homologation UL)  
D. Conducteurs verts, nus ou verts/jaunes  
E. Câble d'alimentation électrique du domicile  
F. Serre-câble de 1/2" (homologation UL ou CSA)

3. Connecter ensemble les conducteurs noirs (B) avec des connecteurs de fils (homologation UL).
4. Connecter ensemble les conducteurs blancs (A) à l'aide de connecteurs de fils (homologation UL).

## **⚠ AVERTISSEMENT**



### **Risque de choc électrique**

**Relier le ventilateur à la terre.**

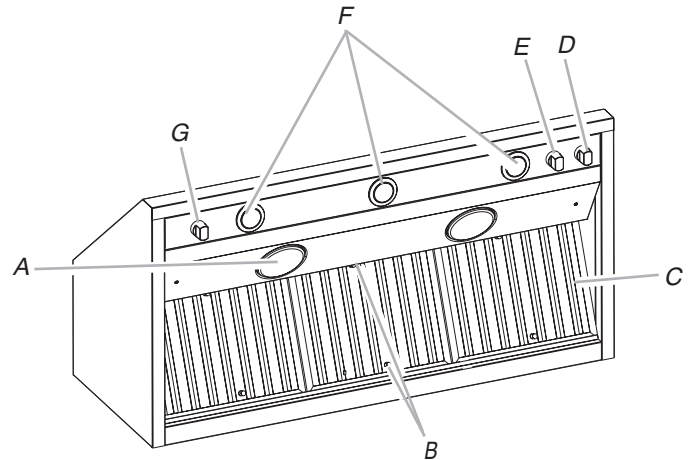
**Brancher le fil relié à la terre au fil vert et jaune relié à la terre dans la boîte de la borne.**

**Le non-respect de ces instructions peut causer un décès ou un choc électrique.**

5. À l'aide des connecteurs de fils (homologation UL), connecter le conducteur de liaison à la terre vert (ou nu) du câble d'alimentation du domicile au conducteur vert/jaune de liaison à la terre (D) dans le boîtier de connexion.
6. Installer le couvercle du boîtier de connexion.
7. Inspecter chaque lampe; vérifier que chaque lampe est bien insérée dans sa douille.
8. Reconnecter la source de courant électrique.

## **Achever l'installation et vérifier le fonctionnement**

1. Installation des filtres à graisse. Voir la section "Entretien de la hotte".
2. Installer des lampes à rayons infrarouges dans les douilles de lampes à rayons infrarouges.
3. Contrôler le fonctionnement du ventilateur de la hotte et des lampes. Voir la section "Utilisation de la hotte".



- A. Lampe à infrarouge
- B. Poignées du filtre à graisse
- C. Filtre à graisse
- D. Sélecteur de commande du ventilateur
- E. Interrupteur de lampe à halogène
- F. Lampes à halogène
- G. Commandes de lampe à infrarouge

4. Si la hotte ne fonctionne pas, déterminer si un disjoncteur s'est ouvert ou si un fusible du domicile est grillé. Déconnecter la source de courant électrique du circuit et vérifier que le câblage est correct.

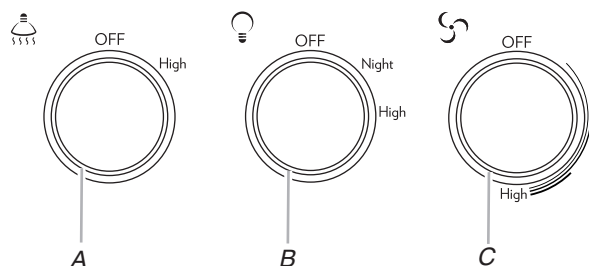
**REMARQUE :** Pour pouvoir tirer le plus grand parti de la nouvelle hotte de cuisinière, lire la section "Utilisation de la hotte".



# UTILISATION DE LA HOTTE

La hotte de cuisinière est conçue pour extraire fumée, vapeurs de cuisson et odeurs de la zone de la table de cuisson. Pour obtenir les meilleurs résultats, mettre le ventilateur de la hotte en marche avant d'entreprendre une cuisson, et laisser le ventilateur fonctionner pendant plusieurs minutes après l'achèvement d'une cuisson pour pouvoir évacuer de la cuisine toute trace d'odeur de cuisson, vapeur ou fumée.

Les commandes de la hotte sont situées sous celle-ci, du côté droit.



- A. Commutateur de lampe à infrarouge
- B. Commutateur de lampe à halogène
- C. Commutateur de commande du ventilateur

## Commandes de la hotte de cuisinière

### Pour faire fonctionner les lampes

1. Placer le commutateur d'éclairage à la position Night (nuit) pour utiliser les lampes de la hotte comme veilleuses.
2. Placer le commutateur d'éclairage à la position High (haut) pour allumer la lumière de la hotte.
3. Placer le commutateur d'éclairage à la position Off (arrêt) pour éteindre les lumières de la hotte.

### Utilisation du ventilateur

1. Placer le commutateur du ventilateur à la première position pour placer la hotte sur Low (bas).
2. Placer le commutateur du ventilateur à la seconde position pour placer la hotte sur Medium (moyen).
3. Placer le commutateur du ventilateur à la troisième position pour placer la hotte sur Medium-High (moyen-haut).
4. Placer le commutateur du ventilateur à la position High (haut) pour placer la hotte sur High (haut).
5. Placer le commutateur du ventilateur à la position Off (arrêt) pour éteindre le ventilateur de la hotte.

### Utilisation de la lampe à rayons infrarouges

**REMARQUE :** Les ampoules pour lampes à rayons infrarouges doivent avoir une intensité nominale maximale de 175 W chacune.

## ⚠ AVERTISSEMENT

### Risque d'empoisonnement alimentaire

**Ne pas laisser des aliments reposer plus d'une heure avant ou après la cuisson.**

**Le non-respect de cette instruction peut causer un empoisonnement alimentaire ou une maladie.**

1. Placer le commutateur de la lampe à infrarouge à la position High (haut) pour allumer les lampes à infrarouges.
2. Placer le commutateur de la lampe à infrarouge à la position Off (arrêt) pour éteindre les lampes à infrarouges.

# ENTRETIEN DE LA HOTTE DE CUISINIÈRE

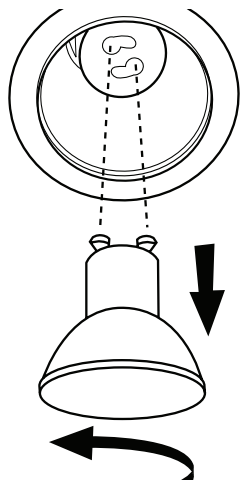
## Lampes de la hotte de cuisinière

### Remplacement d'une lampe à halogène

Interrompre l'alimentation de la hotte; attendre le refroidissement de la lampe à halogène. Pour éviter d'endommager ou de réduire la longévité de l'ampoule neuve, ne pas toucher l'ampoule avec les doigts nus. Remplacer l'ampoule en la manipulant avec un mouchoir de papier ou des gants de coton.

Si les nouvelles lampes ne fonctionnent pas, vérifier que chaque lampe est correctement insérée dans sa douille avant de demander l'intervention d'un dépanneur.

1. Déconnecter la source de courant électrique.
2. Pousser la plaque de verre vers le haut et la tourner dans le sens antihoraire.



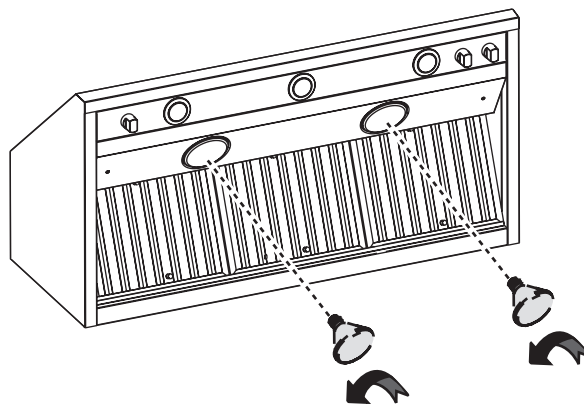
3. Retirer l'ampoule et la remplacer par une ampoule halogène de 120 V, 50 W maximum avec culot GU10. La tourner dans le sens horaire pour l'emboîter.
4. Répéter les étapes 2 à 3 pour l'autre ampoule, si nécessaire.
5. Reconnecter la source de courant électrique.

### Remplacement des lampes à rayons infrarouges

Interrompre l'alimentation de la hotte; attendre le refroidissement de la lampe à rayons infrarouges. Pour éviter d'endommager ou de réduire la longévité de l'ampoule neuve, ne pas toucher l'ampoule avec les doigts nus. Remplacer la lampe en la manipulant avec un mouchoir de papier ou des gants de coton.

Si les nouvelles lampes ne fonctionnent pas, vérifier que chaque lampe est correctement insérée dans sa douille avant de demander l'intervention d'un dépanneur.

1. Déconnecter la source de courant électrique.
2. Pour l'enlever, dévisser la lampe dans le sens antihoraire.



3. Enlever la lampe et la remplacer par une lampe PAR38 IR de 120 V et 175 W maximum à culot de type E-26. Visser en place la lampe dans le sens horaire.
4. Répéter les étapes 2 à 3 pour l'autre lampe, si nécessaire.
5. Reconnecter la source de courant électrique

## Nettoyage

### Surfaces externes :

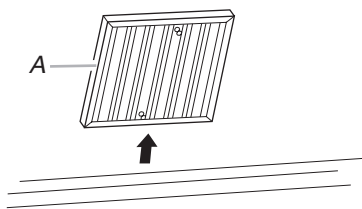
Afin d'éviter d'endommager la surface externe, ne pas utiliser de tampons en laine d'acier ou de tampons à récurer savonneux. Frotter dans la direction des lignes du grain pour ne pas détériorer la surface.

Toujours essuyer pour éviter de laisser des marques d'eau.

- Nettoyant et poli pour acier inoxydable.
- Détergent liquide doux et eau.
- Frotter avec un chiffon doux humide ou une éponge non abrasive, puis rincer avec de l'eau propre et essuyer.

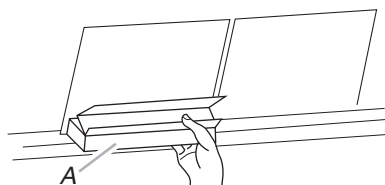
### Filtres métalliques et plateaux d'égouttement :

Utiliser les 2 mains pour retirer les filtres. Saisir les poignées du filtre, tirer vers l'avant de la hotte et tirer sur la poignée arrière pour retirer le filtre. Répéter pour chaque filtre.



A. Filtre à graisse

Retirer le plateau d'égouttement à graisse.

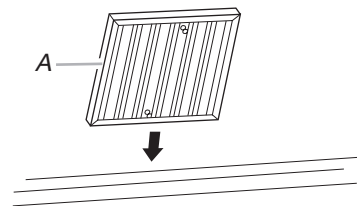


A. Plateau d'égouttement

Laver les filtres métalliques et les plateaux à graisse selon le besoin au lave-vaisselle ou avec une solution de détergent chaude.

Réinstaller le plateau d'égouttement à graisse.

Réinstaller les filtres : saisir les poignées du filtre et placer le rebord avant du filtre dans la hotte. Pour bien fixer le filtre, pousser vers le haut sur la poignée arrière et installer l'arrière du filtre dans le plateau d'égouttement. Répéter pour chaque filtre.

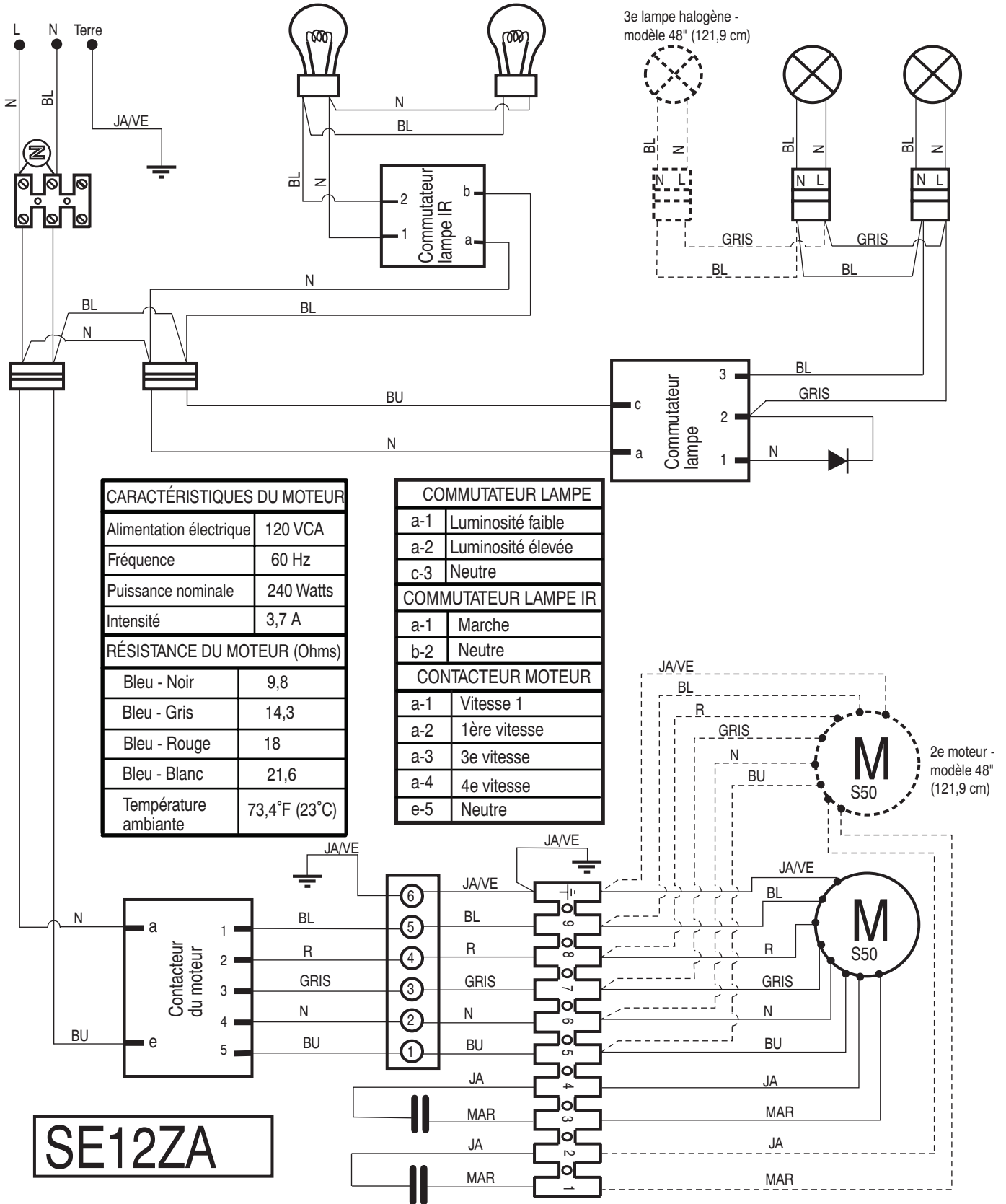


A. Filtre à graisse

### Dispositif de protection thermique

La hotte est équipée d'un dispositif de protection thermique permettant d'éviter les conditions de surchauffe. Si la hotte s'éteint alors qu'elle est utilisée, positionner l'interrupteur du ventilateur à Off (arrêt). Attendre environ 60 minutes puis placer l'interrupteur du ventilateur à la position 1 pour remettre la hotte en marche.

# SCHÉMAS DE CÂBLAGE



---

# ASSISTANCE OU SERVICE

## Si vous avez besoin de service

Consulter la page de garantie du présent manuel.

## Si vous avez besoin de pièces de rechange

Si vous avez besoin de commander des pièces de rechange, nous vous recommandons d'utiliser seulement des pièces spécifiées par l'usine. Les pièces spécifiées par l'usine fonctionneront bien car elles sont fabriquées avec la même précision que celles utilisées pour fabriquer chaque nouvel appareil.

Pour localiser des pièces spécifiées par l'usine dans votre région, composer le numéro de téléphone d'aide à la clientèle suivant ou appeler le centre de service désigné le plus proche.

---

## Au Canada

Téléphoner sans frais au Centre pour l'eXpérience de la clientèle Whirlpool Canada LP au **1-800-JENNAIR (1-800-536-6247)** ou visiter notre site Internet sur **www.jennair.ca**.

### Nos consultants peuvent vous aider sur les points suivants :

- Appeler pour demander une intervention de dépannage. Les techniciens de service désignés par JennAir® sont formés pour remplir la garantie des produits et fournir un service après la garantie, partout au Canada.
- Caractéristiques et spécifications de notre gamme complète d'appareils ménagers.
- Références aux concessionnaires locaux JennAir®.
- Renseignements pour l'installation.
- Procédés d'utilisation et d'entretien.
- Vente d'accessoires et de pièces de rechange.

## Pour de l'aide supplémentaire

Si vous avez besoin d'aide supplémentaire, vous pouvez écrire à JennAir® Appliances en soumettant toute question ou problème à :

JennAir Brand Home Appliances  
Customer eXperience Centre  
200 - 6750 Century Ave.  
Mississauga, Ontario L5N 0B7

Veillez indiquer dans votre correspondance un numéro de téléphone où l'on peut vous joindre dans la journée.

---

## Accessoires

### Cache-conduit pleine largeur

Commander la pièce numéro W10272079 pour le modèle de 30" (76,2 cm)

Commander la pièce numéro W10272080 pour le modèle de 36" (91,4 cm)

Commander la pièce numéro W10272081 pour le modèle de 48" (121,9 cm)

### Ensemble de dossieret (avec étagères)

Commander la pièce numéro W10285447 pour le modèle de 30" (76,2 cm)

Commander la pièce numéro W10285448 pour le modèle de 36" (91,4 cm)

Commander la pièce numéro W10285449 pour le modèle de 48" (121,9 cm)

---

## REMARQUES

---

## REMARQUES

