

JENNAIR® 30" AND 36" (76.2 CM AND 91.4 CM) COMMERCIAL STYLE WALL-MOUNT CANOPY RANGE HOOD

HOTTE DE CUISINIÈRE JENNAIR® POUR MONTAGE MURAL DE STYLE COMMERCIAL 30" ET 36" (76,2 CM ET 91,4 CM)

Installation Instructions and Use & Care Guide

For questions about features, operation/performance, parts, accessories, or service in the U.S.A., call:
1-800-JENNAIR (1-800-536-6247) or visit our website at www.jennair.com.

In Canada, call: **1-800-JENNAIR (1-800-536-6247)**, or visit our website at www.jennair.ca.

Instructions d'installation et Guide d'utilisation et d'entretien

Au Canada, pour assistance, installation ou service, composez le **1-800-JENNAIR (1-800-536-6247)** ou visitez notre site web à www.jennair.ca.

Table of Contents/Table des matières 2

**IMPORTANT: READ AND SAVE THESE INSTRUCTIONS.
FOR RESIDENTIAL USE ONLY.**

**IMPORTANT : LIRE ET CONSERVER CES INSTRUCTIONS.
POUR UTILISATION RÉSIDENNELLE UNIQUEMENT.**

TABLE OF CONTENTS

| | |
|--|-----------|
| RANGE HOOD SAFETY | 2 |
| INSTALLATION REQUIREMENTS | 4 |
| Tools and Parts..... | 4 |
| Location Requirements | 4 |
| Venting Requirements | 5 |
| Electrical Requirements | 6 |
| INSTALLATION INSTRUCTIONS | 7 |
| Prepare Location..... | 7 |
| Install Range Hood..... | 9 |
| Make Electrical Connection | 9 |
| Install Vent Covers (Optional)..... | 10 |
| Complete Installation | 10 |
| RANGE HOOD USE | 10 |
| Range Hood Controls | 10 |
| RANGE HOOD CARE | 11 |
| Cleaning | 11 |
| WIRING DIAGRAM | 12 |
| ASSISTANCE OR SERVICE | 13 |
| In the U.S.A. | 13 |
| In Canada | 13 |
| Accessories..... | 13 |

TABLE DES MATIÈRES

| | |
|--|-----------|
| SÉCURITÉ DE LA HOTTE DE CUISINIÈRE | 14 |
| EXIGENCES D'INSTALLATION | 16 |
| Outils et pièces..... | 16 |
| Exigences d'emplacement..... | 16 |
| Exigences concernant l'évacuation..... | 17 |
| Spécifications électriques..... | 19 |
| INSTRUCTIONS D'INSTALLATION | 19 |
| Préparation de l'emplacement..... | 19 |
| Installation de la hotte | 21 |
| Raccordement électrique..... | 22 |
| Installation des cache-conduits (facultatif) | 23 |
| Achever l'installation | 23 |
| UTILISATION DE LA HOTTE | 23 |
| Commandes et caractéristiques..... | 23 |
| ENTRETIEN DE LA HOTTE | 24 |
| Nettoyage..... | 24 |
| SCHÉMA DE CÂBLAGE | 25 |
| ASSISTANCE OU SERVICE | 26 |
| Au Canada..... | 26 |
| Accessoires | 27 |

RANGE HOOD SAFETY

Your safety and the safety of others are very important.

We have provided many important safety messages in this manual and on your appliance. Always read and obey all safety messages.



This is the safety alert symbol.

This symbol alerts you to potential hazards that can kill or hurt you and others.

All safety messages will follow the safety alert symbol and either the word "DANGER" or "WARNING."

These words mean:

⚠ DANGER

You can be killed or seriously injured if you don't immediately follow instructions.

⚠ WARNING

You can be killed or seriously injured if you don't follow instructions.

All safety messages will tell you what the potential hazard is, tell you how to reduce the chance of injury, and tell you what can happen if the instructions are not followed.

IMPORTANT SAFETY INSTRUCTIONS

WARNING: TO REDUCE THE RISK OF FIRE, ELECTRIC SHOCK, OR INJURY TO PERSONS, OBSERVE THE FOLLOWING:

- Use this unit only in the manner intended by the manufacturer. If you have questions, contact the manufacturer.
- Before servicing or cleaning unit, switch power off at service panel and lock the service disconnecting means to prevent power from being switched on accidentally. When the service disconnecting means cannot be locked, securely fasten a prominent warning device, such as a tag, to the service panel.
- Installation work and electrical wiring must be done by qualified person(s) in accordance with all applicable codes and standards, including fire-rated construction.
- Do not operate any fan with a damaged cord or plug. Discard fan or return to an authorized service facility for examination and/or repair.
- Sufficient air is needed for proper combustion and exhausting of gases through the flue (chimney) of fuel burning equipment to prevent back drafting. Follow the heating equipment manufacturer's guideline and safety standards such as those published by the National Fire Protection Association (NFPA), and the American Society for Heating, Refrigeration and Air Conditioning Engineers (ASHRAE), and the local code authorities.
- When cutting or drilling into wall or ceiling, do not damage electrical wiring and other hidden utilities.
- Ducted fans must always be vented to the outdoors.

CAUTION: For General Ventilating Use Only. Do Not Use To Exhaust Hazardous Or Explosive Materials And Vapors.

CAUTION: To reduce risk of fire and to properly exhaust air, be sure to duct air outside -Do not vent exhaust air into spaces within walls or ceilings or into attics, crawl spaces, or garages.

WARNING: TO REDUCE THE RISK OF FIRE, USE ONLY METAL DUCTWORK.

WARNING: TO REDUCE THE RISK OF A RANGE TOP GREASE FIRE:

- Never leave surface units unattended at high settings. Boilovers cause smoking and greasy spillovers that may ignite. Heat oils slowly on low or medium settings.
- Always turn hood ON when cooking at high heat or when flambeing food (i.e. Crepes Suzette, Cherries Jubilee, Peppercorn Beef Flambé).
- Clean ventilating fans frequently. Grease should not be allowed to accumulate on fan or filter.
- Use proper pan size. Always use cookware appropriate for the size of the surface element.

WARNING: TO REDUCE THE RISK OF INJURY TO PERSONS IN THE EVENT OF A RANGE TOP GREASE FIRE, OBSERVE THE FOLLOWING^a:

- SMOTHER FLAMES with a close-fitting lid, cookie sheet, or metal tray, then turn off the burner. BE CAREFUL TO PREVENT BURNS. If the flames do not go out immediately, EVACUATE AND CALL THE FIRE DEPARTMENT.
- NEVER PICK UP A FLAMING PAN - You may be burned.
- DO NOT USE WATER, including wet dishcloths or towels - a violent steam explosion will result.
- Use an extinguisher ONLY if:
 - You know you have a Class ABC extinguisher, and you already know how to operate it.
 - The fire is small and contained in the area where it started.
 - The fire department is being called.
 - You can fight the fire with your back to an exit.

^aBased on "Kitchen Fire Safety Tips" published by NFPA.

■ **WARNING:** To Reduce The Risk Of Fire Or Electric Shock, Do Not Use This Fan With Any Solid-State Speed Control Device.

- This appliance is not intended for use by people (including children) whose physical, sensory or mental capacities are different or impaired or who lack the necessary experience or knowledge/expertise to do so, unless such persons are supervised or are trained to operate the appliance by a person who accepts responsibility for their safety.

READ AND SAVE THESE INSTRUCTIONS

INSTALLATION REQUIREMENTS

Tools and Parts

Gather the required tools and parts before starting installation. Read and follow the instructions provided with any tools listed here.

Tools needed

- Level
- Drill
- Drill with 1¼" (3.0 cm), 3/16" (4.8 mm), 1/8" (3.0 mm), and 5/16" (7.9 mm) drill bits
- Pencil
- Wire stripper or utility knife
- Tape measure or ruler
- Pliers
- Caulking gun and weatherproof caulking compound
- Vent clamps
- Jigsaw or keyhole saw
- Flat-blade screwdriver
- Metal snips
- Phillips screwdriver
- Metric hex key set

Parts needed

- Home power supply cable
- 1/2" (1.3 cm) UL listed or CSA approved strain relief
- 3 UL listed wire connectors
- 1 wall or roof cap
- Metal vent system

Parts supplied

Remove parts from packages. Check that all parts are included.

- Hood canopy assembly with ventilator and light bulbs installed
- 3¼" x 10" (8.3 x 25.4 cm) rectangular vent connector
- 2 metal grease filters for 30" (76.2 cm) model
- 3 metal grease filters for 36" (91.4 cm) model
- T20® Torx®† adapter
- 4 - 5 x 45 mm mounting screws
- 6 - 4.5 x 13 mm screws
- 3 - 4 x 8 mm screws
- 4 - 10 x 50 wall anchors

Location Requirements

IMPORTANT: Observe all governing codes and ordinances.

Have a qualified technician install the range hood. It is the installer's responsibility to comply with installation clearances specified on the model/serial rating plate. The model/serial rating plate is located behind the left filter on the rear wall of the vent hood.

Canopy hood location should be away from strong draft areas, such as windows, doors and strong heating vents.

Cabinet opening dimensions that are shown must be used. Given dimensions provide minimum clearance.

Grounded electrical outlet is required. See "Electrical Requirements" section.

The canopy hood is factory set for venting through the roof or wall.

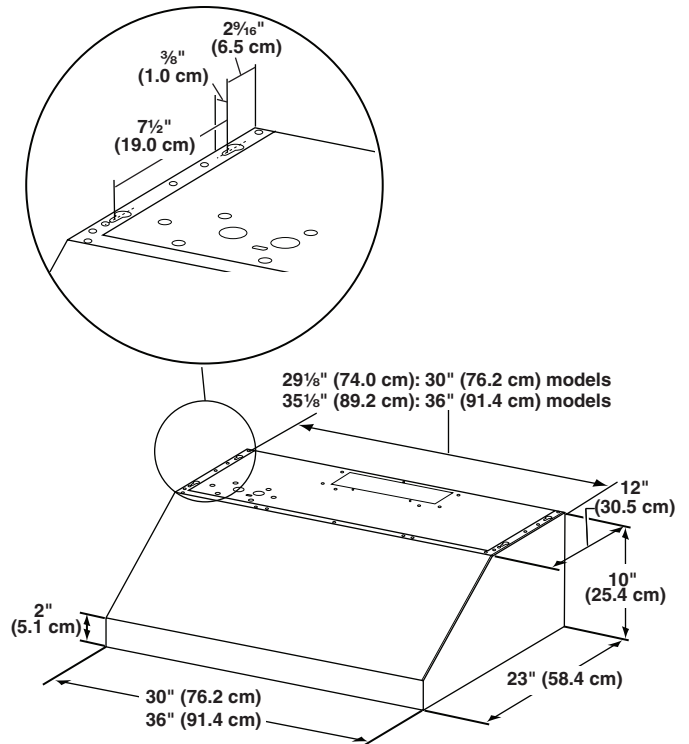
All openings in ceiling and wall where canopy hood will be installed must be sealed.

For Mobile Home Installations

The installation of this range hood must conform to the Manufactured Home Construction Safety Standards, Title 24 CFR, Part 328 (formerly the Federal Standard for Mobile Home Construction and Safety, Title 24, HUD, Part 280) or when such standard is not applicable, the standard for Manufactured Home Installation 1982 (Manufactured Home Sites, Communities and Setups) ANSI A225.1/NFPA 501A, or latest edition, or with local codes.

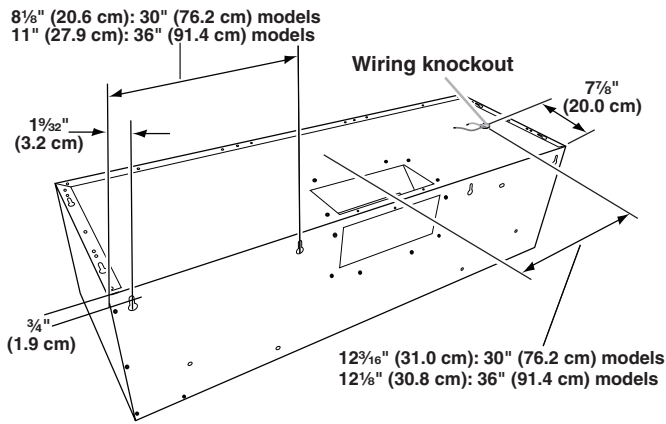
Product Dimensions

Front View

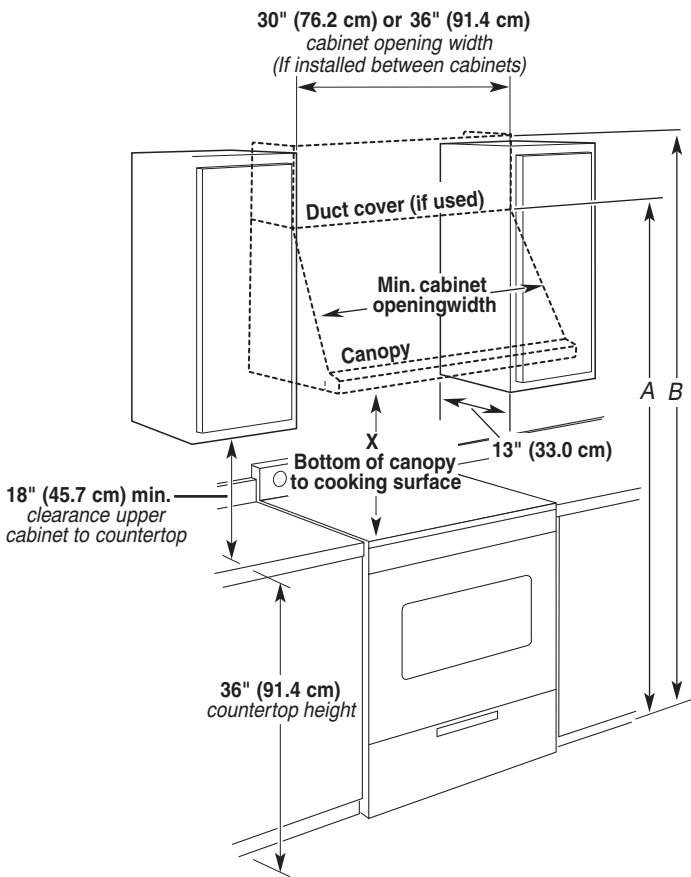


†@TORX and T20 are registered trademarks of Acument Intellectual Properties, LLC.

Back View



Cabinet Dimensions



A. 76" (193.0 cm) minimum for installations with canopy only.

B. 88" (223.5 cm) minimum for installations with optional duct cover.

IMPORTANT:

Minimum distance "X": 30" (76.2 cm)

Suggested maximum distance "X": 36" (91.4 cm)

Venting Requirements

- Vent system must terminate to the outdoors.
- Do not terminate the vent system in an attic or other enclosed area.
- Do not use a 4" (10.2 cm) laundry-type wall cap.
- Use metal vent only. Rigid metal vent is recommended.
- The length of vent system and number of elbows should be kept to a minimum to provide efficient performance.

For the most efficient and quiet operation:

- Use no more than three 90° elbows.
- Make sure there is a minimum of 24" (61.0 cm) of straight vent between the elbows if more than 1 elbow is used.
- Do not install 2 elbows together.
- Use clamps to seal all joints in the vent system.
- The vent system must have a damper. If roof or wall cap has a damper, do not use damper supplied with the range hood.
- Use caulking to seal exterior wall or roof opening around the cap.
- The size of the vent should be uniform.

Cold Weather Installations

An additional back draft damper should be installed to minimize backward cold air flow and a thermal break should be installed to minimize conduction of outside temperatures as part of the vent system. The damper should be on the cold air side of the thermal break.

The break should be as close as possible to where the vent system enters the heated portion of the house.

Makeup Air

Local building codes may require the use of makeup air systems when using ventilation systems greater than specified CFM of air movement. The specified CFM varies from locale to locale. Consult your HVAC professional for specific requirements in your area.

Venting Methods

This canopy hood is factory set for venting through the roof or wall.

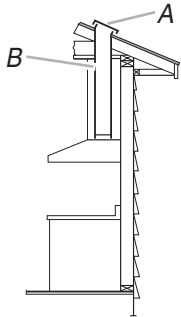
A 3 1/4" x 10" (8.3 x 25.4 cm) rectangular vent system is needed for installation (not included). The hood exhaust opening is 3 1/4" x 10" (8.3 x 25.4 cm). Vent system can terminate either through the roof or wall. To vent out of the top of the range hood and through a wall, a 90° elbow is needed. See "Install Range Hood" section for details for installing the damper.

NOTE: Flexible vent is not recommended. Flexible vent creates back pressure and air turbulence that greatly reduce performance.

Rear discharge

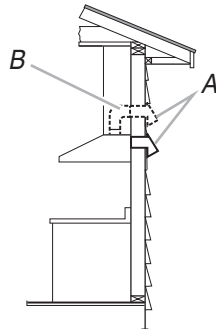
This range hood can be vented directly out the back using the 3¼" x 10" (8.3 cm x 25.4 cm) rectangular damper (supplied) along with a 3¼" x 10" (8.3 cm x 25.4 cm) rectangular vent system (not supplied). See "Install Range Hood" section for details for installing the damper.

Roof Venting



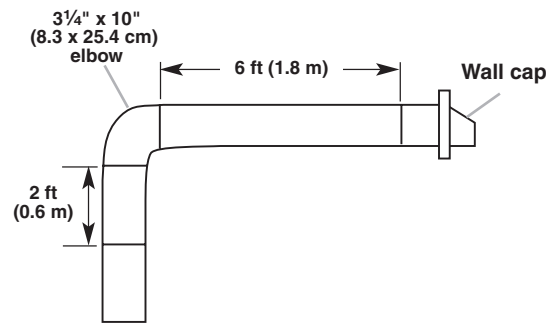
A. Roof cap
B. 3¼" x 10" (8.3 x 25.4 cm) rectangular metal vent

Wall Venting (top or rear discharge)



A. Wall cap
B. 3¼" x 10" (8.3 x 25.4 cm) rectangular metal vent

Example vent system



| | |
|--|--------------------------|
| Maximum Recommended Length | = 35 ft (10.7 m) |
| 1 - 90° elbow | = 5.0 ft (1.5 m) |
| 8 ft (2.4 m) straight | = 8.0 ft (2.4 m) |
| 1 - wall cap | = 0.0 ft (0.0 m) |
| Length of 3¼" x 10" (8.3 cm x 25.4 cm) system | = 13.0 ft (3.9 m) |

Electrical Requirements

Observe all governing codes and ordinances.

Ensure that the electrical installation is adequate and in conformance with National Electrical Code, ANSI/NFPA 70 (latest edition), or CSA Standards C22.1-94, Canadian Electrical Code, Part 1 and C22.2 No. 0-M91 (latest edition) and all local codes and ordinances.

If codes permit and a separate ground wire is used, it is recommended that a qualified electrician determine that the ground path is adequate.

A copy of the above code standards can be obtained from:

National Fire Protection Association
1 Batterymarch Park
Quincy, MA 02169-7471
CSA International
8501 East Pleasant Valley Road
Cleveland, OH 44131-5575

- A 120 V, 60 Hz, AC only, 15 A, fused electrical circuit is required.
- If the house has aluminum wiring, follow the procedure below:
Connect the aluminum wiring using special connectors and/or tools designed and UL listed for joining copper to aluminum.

Follow the electrical connector manufacturer's recommended procedure. Aluminum/copper connection must conform with local codes and industry accepted wiring practices.

- Wire sizes and connections must conform with the rating of the appliance as specified on the model/serial/rating plate. The model/serial/rating plate is located behind the left filter on the rear wall of the range hood.
- Wire sizes must conform to the requirements of the National Electrical Code, ANSI/NFPA 70 (latest edition), or CSA Standards C22.1-94, Canadian Electrical Code, Part 1 and C22.2 No. 0-M91 (latest edition) and all local codes and ordinances.

Calculating Vent System Length

To calculate the length of the system you need, add the equivalent feet (meters) for each vent piece used in the system.

3¼" x 10" (8.3 cm x 25.4 cm) Vent System

| Vent Piece | | |
|---|-----------------|--|
| 3¼" x 10" (8.3 cm x 25.4 cm) 90° elbow | 5.0 ft (1.5 m) | |
| 3¼" x 10" (8.3 cm x 25.4 cm) flat elbow | 12.0 ft (3.7 m) | |
| 3¼" x 10" (8.3 cm x 25.4 cm) wall cap | 0.0 ft (0.0 m) | |

INSTALLATION INSTRUCTIONS

Prepare Location

- It is recommended that the vent system be installed before the range hood is installed.
 - If you are installing an optional backsplash or full width duct cover, follow the instructions included with that product.
 - Before making cutouts, make sure there is proper clearance within the ceiling or wall for exhaust vent.
 - Check your ceiling height and the hood height maximum before you select your hood.
1. Disconnect power.
 2. Determine which venting method to use: roof, wall, or non-vented.
 3. Select a flat surface for assembling the range hood. Place covering over that surface.

⚠ WARNING

Excessive Weight Hazard

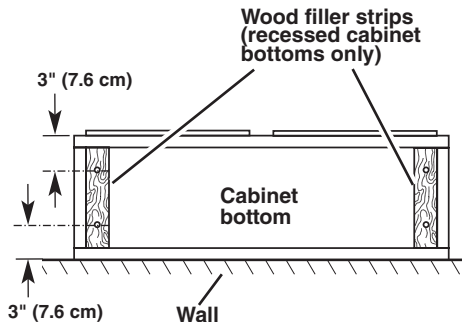
Use two or more people to move and install range hood.

Failure to do so can result in back or other injury.

4. Using 2 or more people, lift range hood onto covered surface.
- NOTE:** This range hood can be mounted to the cabinets or to the wall.

For Cabinet Installations

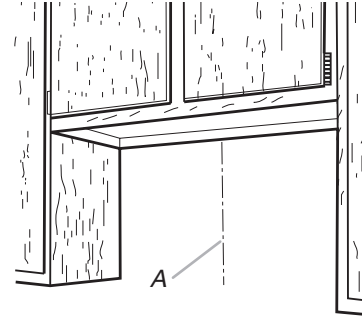
1. If cabinet has recessed bottom, add wood filler strips on each side. Install screws to attach filler strips in locations shown.



Determine Wiring Hole Location

Cut only one 1¼" (3.2 cm) diameter wiring access hole. See Step 2 for wiring hole location instructions.

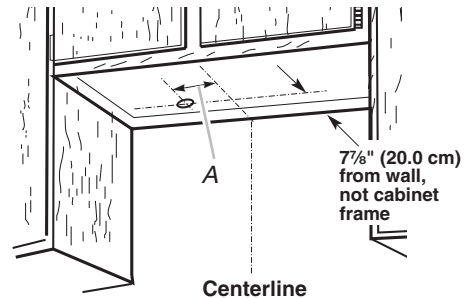
1. Determine and clearly mark a vertical centerline on the wall and cabinet in the area the vent opening will be made.



A. Centerline

2. To wire through top:

Mark a line distance "A" from the left of the centerline on the underside of the cabinet. Mark the point on this line that is 7⁷/₈" (20.0 cm) from back wall. Drill a 1¼" (3.2 cm) diameter hole through the cabinet at this point.



A. 12³/₈" (31.0 cm)

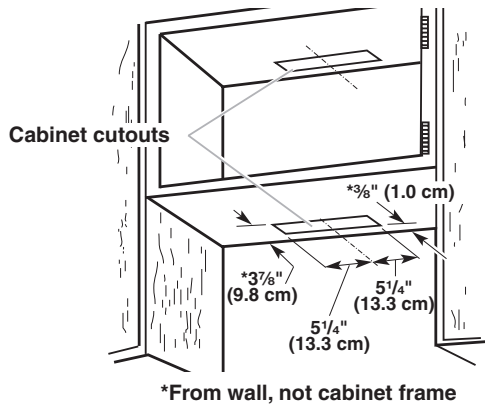
Cut Openings for 3¼" x 10" (8.3 cm x 25.4 cm) Rectangular Vent System

Roof Venting

To make a 3½" x 10½" (8.9 cm x 26.7 cm) rectangular cutout on the underside of cabinet top and bottom:

1. Mark lines 3/8" (1.0 cm) and 3⁷/₈" (9.8 cm) from the back wall on the centerline of the underside of cabinet.
2. Mark lines 5¼" (13.3 cm) to the right and left of the centerline on the underside of cabinet.
3. Use saber or keyhole saw to cut a rectangular opening for vent.

- Repeat steps 1-3 for the underside of the top of the cabinet.

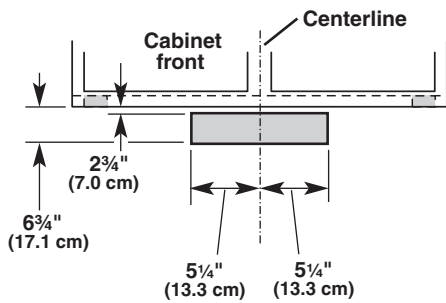


Wall Venting Under Cabinet

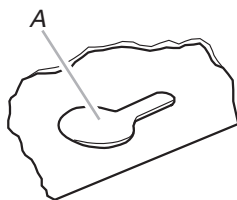
To make a 3½" x 10½" (8.9 cm x 26.7 cm) rectangle in the wall:

- Make 2 lines by measuring 3/8" (9.5 mm) and 37/8" (9.8 cm) down from underside of cabinet and mark on the centerline on the back wall.
- Mark lines 5¼" (13.3 cm) to the right and left of the centerline on the wall.

Use saber or keyhole saw to cut a rectangular opening in the wall for the vent.



- Lift the range hood up under cabinet and determine final location by centering beneath cabinet. Mark on the underside of cabinet the location of the 4 keyhole mounting slots on the range hood. Set range hood aside on a covered surface.



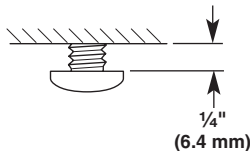
A. Keyhole slot

- Use 1/8" (3 mm) drill bit and drill 4 pilot holes as shown.



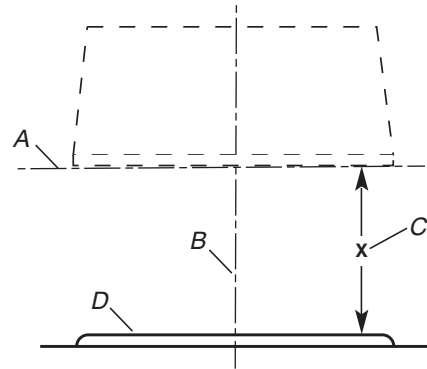
A. Drill pilot hole.

- Install the 4 - 4.5 x 13 mm mounting screws in pilot holes. Leave about 1/4" (6.4 mm) space between screw heads and cabinet to slide range hood into place.



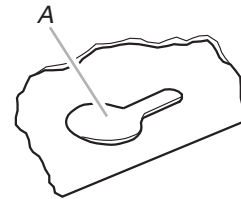
For Wall Installations:

- Determine and mark the centerline on the wall where the canopy hood will be installed.
- Select a mounting height between a minimum of 30" (76.2 cm) and a suggested maximum of 36" (91.4 cm) above the range to the bottom of the hood. Mark a reference line on the wall.
- Using 2 or more people, center the hood on the vertical centerline, then align the bottom of the hood with the horizontal reference line marked on the wall.



A. Horizontal reference line
B. Vertical centerline
C. Mounting height
D. Cooking surface

- Mark centers of the fastener locations to the wall. Set range hood aside on a covered surface.



A. Keyhole slot

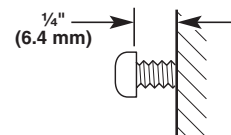
IMPORTANT: All screws must be installed into wood. If there is no wood to screw into, additional wall framing supports may be required.

- Drill 3/16" (4.8 mm) pilot holes at all locations where screws are being installed into wood.



A. Drill pilot hole.

- Install the 2 - 5 x 45 mm mounting screws. Leave a 1/4" (6.4 mm) gap between the wall and the back of the screw head to slide range hood into place.



- Determine and make all necessary cuts in the wall or ceiling for the vent system. Install the vent system before installing the hood. See "Venting Requirements" section.

Complete Preparation

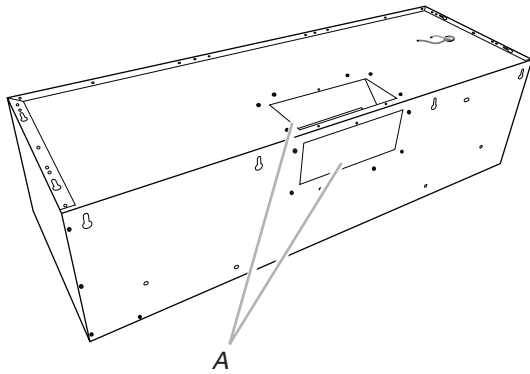
1. Determine the required height for the home power supply cable and drill a 1¼" (3.2 cm) hole at this location.
2. Run the home power supply cable according to the National Electrical Code or CSA Standards and local codes and ordinances. There must be enough 1/2" conduit and wires from the fused disconnect (or circuit breaker) box to make the connection in the hood's electrical terminal box.

NOTE: Do not reconnect power until installation is complete.

3. Remove terminal box cover and set aside.
4. Remove knockout from the top of the vent hood and install a UL listed or CSA approved 1/2" strain relief.

Install Range Hood

1. Remove the grease filters. See the "Range Hood Care" section.
2. Depending on your installation, remove either top or rear rectangular vent knockout. If using round vent, remove top rectangular knockout.



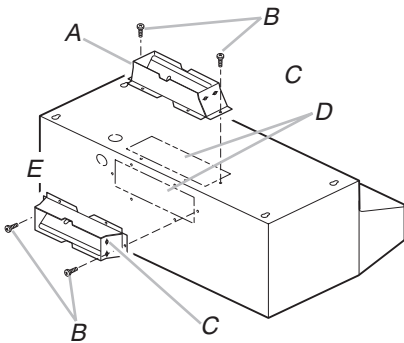
A. Vent knockouts

Make sure damper pivot is nearest to top/back edge of range hood.

3. Remove tape from damper flap.

NOTE: The 3¼" x 10" (8.3 x 25.4 cm) rectangular damper can be installed up to 1" (2.5 cm) on either side of the hood center to accommodate off center duct work.

4. Attach the 3¼" x 10" (8.3 x 25.4 cm) rectangular vent connector to the range hood using sheet metal screws.



- A. Top venting
- B. Sheet metal screws
- C. Hinge pin
- D. Vent knockouts
- E. Rear venting

NOTE: If the wall cap is directly behind the 3¼" x 10" (8.3 x 25.4 cm) rectangular vent connector, check that the damper and the wall cap do not interfere with each other. Remove the damper from the 3¼" x 10" (8.3 x 25.4 cm) rectangular vent connector if they interfere.

5. Using 2 or more people, lift the hood into final position. Feed enough electrical wire through the ½" UL listed or CSA approved strain relief to make connections in the terminal box. Tighten the strain relief screws.
6. Position the range hood so that the large end of the keyhole slots are over the mounting screws. Then, push the hood toward the wall (for cabinet mounting) or allow the range hood to slide down to the marked mounting height (for wall mounting) so that the screws are in the neck of the slots. Tighten the mounting screws, making sure the screws are in the narrow neck of slots. (For wall mount, check that the hood is level).
7. Connect ventwork to hood. Seal joints with clamps to make secure and airtight.
8. Check that back draft dampers work properly.

Make Electrical Connection

⚠ WARNING



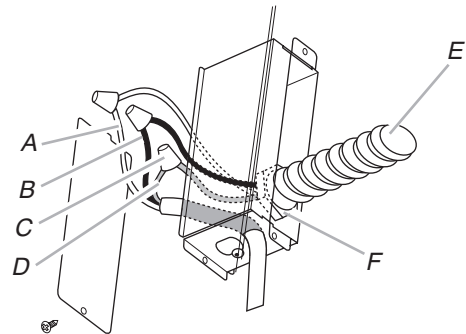
Electrical Shock Hazard

Disconnect power before servicing.

Replace all parts and panels before operating.

Failure to do so can result in death or electrical shock.

1. Disconnect power.




- A. White wires
- B. Black wires
- C. UL listed wire connector
- D. Green (or bare) and yellow-green ground wire
- E. Home power supply cable
- F. UL listed or CSA approved 1/2" strain relief

2. Use UL listed wire connectors and connect white wires (A) together.

- Use UL listed wire connectors and connect black wires (B) together.

⚠ WARNING



Electrical Shock Hazard

Electrically ground blower.

Connect ground wire to green and yellow ground wire in terminal box.

Failure to do so can result in death or electrical shock.

- Connect green (or bare) ground wire from home power supply to yellow-green ground wire (C) in terminal box using UL listed wire connectors.

- Install terminal box cover.
- Check that all light bulbs are secure in their sockets.
- Reconnect power.

Install Vent Covers (Optional)

If you are installing an optional full width duct cover, follow the instructions included with that product.

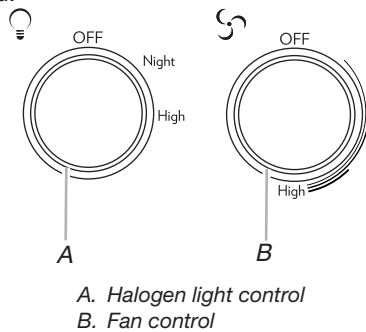
Complete Installation

- Install metal grease filters. See the “Range Hood Care” section.
 - Check the operation of the range hood blower and light. See the “Range Hood Use” section.
- NOTE:** To get the most efficient use from your new range hood, read the “Range Hood Use” section.

RANGE HOOD USE

The range hood is designed to remove smoke, cooking vapors and odors from the cooktop area. For best results, start the hood before cooking and allow it to operate several minutes after the cooking is complete to clear all smoke and odors from the kitchen.

The hood controls are located on the right-hand underside of the range hood.



Range Hood Controls

Operating the lights

- Turn the light switch to the Night position to use the range hood lights as a night light.
- Turn the light switch to the High position to turn the range hood lights On.
- Turn the light switch to the Off position to turn the range hood lights Off.

Operating the blower

- Turn the blower switch to the first position to turn the range hood on Low.
- Turn the blower switch to the second position to turn the range hood on Medium.
- Turn the blower switch to the third position to turn the range hood on Medium - High.
- Turn the blower switch to the High position to turn the range hood on High.
- Turn the blower switch to the Off position to turn the range hood blower Off.

RANGE HOOD CARE

Cleaning

IMPORTANT: Clean the hood and grease filters frequently according to the following instructions. Replace grease filters before operating hood.

Exterior Surfaces:

To avoid damage to the exterior surface, do not use steel wool or soap-filled scouring pads.

Always wipe dry to avoid water marks.

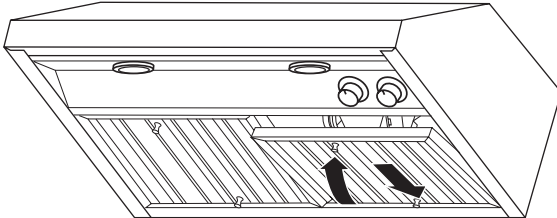
Cleaning Method:

- Liquid detergent soap and water, or all-purpose cleanser
- Wipe with damp soft cloth or nonabrasive sponge, then rinse with clean water and wipe dry.

Metal Grease Filter

To Remove Metal Grease Filters:

1. Use 2 hands to remove the metal grease filters. Grasp filter handles, push toward the rear of the range hood and pull down on the front handle to remove.



2. Repeat for each grease filter.
3. Wash metal grease filters as needed in a dishwasher or hand wash in a hot detergent solution to clean.

To Reinstall Metal Grease Filters:

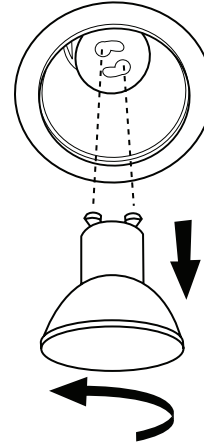
1. Grasp filter handles and place rear of filter into rear track.
2. Push down on the rear handle and set the front of the grease filter into the front track to secure.
3. Repeat for each filter.

Replacing a Halogen Lamp

Turn off the range hood and allow the halogen lamp to cool. To avoid damage or decreasing the life of the new bulb, do not touch bulb with bare fingers. Replace bulb, using tissue or wearing cotton gloves to handle bulb.

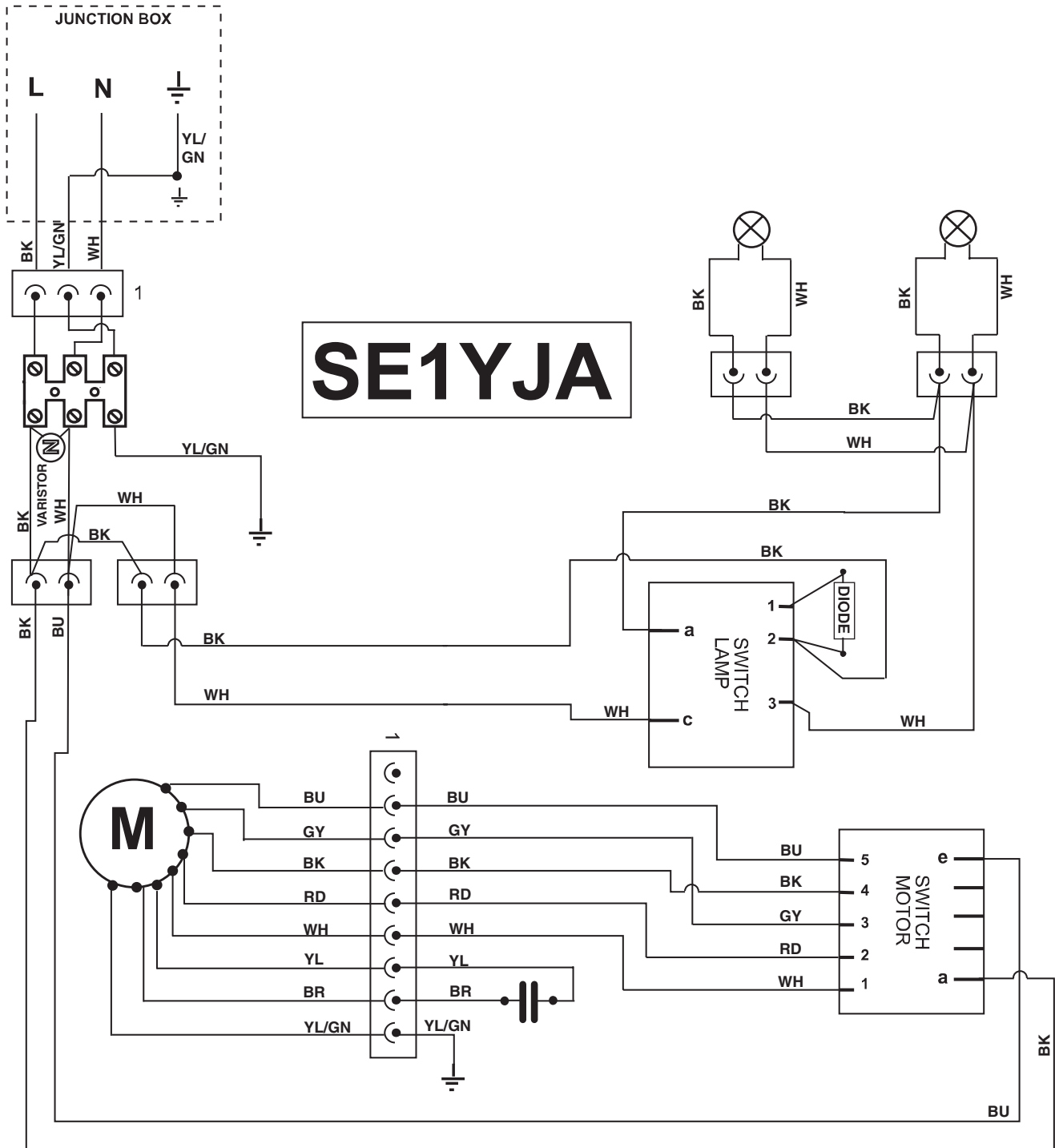
If new lamps do not operate, make sure the lamps are inserted correctly before calling service.

1. Disconnect power.
2. Push up on the lens and turn it counterclockwise.



3. Remove the bulb and replace it with a 120 V, 50 watt maximum halogen bulb with a GU10 base. Turn it clockwise to lock it into place.
4. Repeat steps 2-3 for the other bulb if needed.
5. Reconnect power.

WIRING DIAGRAM



ASSISTANCE OR SERVICE

If you need service

Please refer to the warranty page in this manual.

If you need replacement parts

If you need to order replacement parts, we recommend that you use only factory specified parts. Factory specified parts will fit right and work right because they are made with the same precision used to build every new appliance.

To locate factory specified replacement parts in your area, call the following customer assistance telephone number or your nearest designated service center.

In the U.S.A.

Call JennAir Customer eXperience Center toll free: **1-800-JENNAIR (1-800-536-6247)** or visit our website at **www.jennair.com**.

Our consultants provide assistance with:

- Scheduling of service. JennAir® appliances designated service technicians are trained to fulfill the product warranty and provide after-warranty service anywhere in the United States.
- Features and specifications on our full line of appliances.
- Referrals to local JennAir® appliance dealers.
- Installation information.
- Use and maintenance procedures.
- Accessory and repair parts sales.
- Specialized customer assistance (Spanish speaking, hearing impaired, limited vision, etc.).

For further assistance

If you need further assistance, you can write to JennAir® Appliances with any questions or concerns at:

JennAir Brand Home Appliances
Customer eXperience Center
553 Benson Road
Benton Harbor, MI 49022-2692

Please include a daytime phone number in your correspondence.

In Canada

Call the Whirlpool Canada LP Customer eXperience Centre toll free at **1-800-JENNAIR (1-800-536-6247)** or visit our website at **www.jennair.ca**.

Our consultants provide assistance with:

- Scheduling of service. JennAir® appliances designated service technicians are trained to fulfill the product warranty and provide after-warranty service anywhere in Canada.
- Features and specifications on our full line of appliances.
- Referrals to local JennAir® appliance dealers.
- Installation information.
- Use and maintenance procedures.
- Accessory and repair parts sales.

For further assistance

If you need further assistance, you can write to JennAir® Appliances with any questions or concerns at:

JennAir Brand Home Appliances
Customer eXperience Centre
200 - 6750 Century Ave.
Mississauga, Ontario L5N 0B7

Please include a daytime phone number in your correspondence.

Accessories

Backsplash with Shelves

Order part number W10285447 for 30" (76.2 cm) model

Order part number W10285448 for 36" (91.4 cm) model

Backsplash without Shelves

Order part number 8285148 for 30" (76.2 cm) model

Order part number 8284756 for 36" (91.4 cm) model

Full Width Chimney Cover

Order part number W10272079 for 30" (76.2 cm) model

Order part number W10272080 for 36" (91.4 cm) model

SÉCURITÉ DE LA HOTTE DE CUISINIÈRE

Votre sécurité et celle des autres est très importante.

Nous donnons de nombreux messages de sécurité importants dans ce manuel et sur votre appareil ménager. Assurez-vous de toujours lire tous les messages de sécurité et de vous y conformer.



Voici le symbole d'alerte de sécurité.

Ce symbole d'alerte de sécurité vous signale les dangers potentiels de décès et de blessures graves à vous et à d'autres.

Tous les messages de sécurité suivront le symbole d'alerte de sécurité et le mot "DANGER" ou "AVERTISSEMENT". Ces mots signifient :

⚠ DANGER

Risque possible de décès ou de blessure grave si vous ne suivez pas immédiatement les instructions.

⚠ AVERTISSEMENT

Risque possible de décès ou de blessure grave si vous ne suivez pas les instructions.

Tous les messages de sécurité vous diront quel est le danger potentiel et vous disent comment réduire le risque de blessure et ce qui peut se produire en cas de non-respect des instructions.

IMPORTANTES INSTRUCTIONS DE SÉCURITÉ

AVERTISSEMENT : POUR RÉDUIRE LE RISQUE D'INCENDIE, DE DÉCHARGE ÉLECTRIQUE OU DE BLESSURES, RESPECTER LES INSTRUCTIONS SUIVANTES :

- Utiliser cet appareil uniquement selon les modalités d'utilisation prévues par le fabricant. Pour toute question, contacter le fabricant.
- Avant d'entreprendre une opération d'entretien ou de nettoyage sur l'appareil, interrompre l'alimentation de l'appareil au panneau de distribution et verrouiller ce dernier pour empêcher tout rétablissement accidentel de l'alimentation du circuit. Lorsqu'il n'est pas possible de verrouiller le tableau de distribution, placer sur ce dernier une étiquette d'avertissement bien en vue interdisant le rétablissement de l'alimentation.
- Tout travail d'installation ou câblage électrique doit être réalisé par une personne qualifiée, dans le respect des prescriptions de tous les codes et toutes les normes applicables, y compris les codes du bâtiment et de protection contre les incendies.
- Ne pas faire fonctionner un ventilateur dont le cordon ou la fiche est endommagé. Jeter le ventilateur ou le retourner à un centre de service agréé pour examen ou réparation.
- Une source d'air de débit suffisant est nécessaire pour que la combustion et l'évacuation des gaz puissent s'effectuer correctement par la cheminée de l'appareil à gaz, afin d'éviter tout reflux des gaz de combustion. Respecter les directives du fabricant de l'équipement de chauffage et les prescriptions des normes de sécurité – comme celles publiées par la National Fire Protection Association (NFPA) et l'American Society for Heating, Refrigeration and Air Conditioning Engineers (ASHRAE), ainsi que les prescriptions des autorités réglementaires locales.
- Lors des opérations de découpage et de perçage dans un mur ou un plafond, ne pas endommager les câblages électriques et les canalisations qui peuvent s'y trouver.
- Les ventilateurs d'évacuation doivent toujours décharger l'air vers l'extérieur.

MISE EN GARDE : Cet appareil est conçu uniquement pour la ventilation générale. Ne pas l'utiliser pour l'extraction de matières ou vapeurs dangereuses ou explosives.

MISE EN GARDE : Pour réduire le risque d'incendie et évacuer adéquatement les gaz, acheminer l'air aspiré par un conduit jusqu'à l'extérieur – ne pas décharger l'air aspiré dans un espace vide du bâtiment comme une cavité murale, un plafond, un grenier, un vide sanitaire ou un garage.

AVERTISSEMENT : POUR RÉDUIRE LE RISQUE D'INCENDIE, UTILISER UNIQUEMENT DES CONDUITS MÉTALLIQUES.

AVERTISSEMENT : POUR RÉDUIRE LE RISQUE D'UN FEU DE GRAISSE SUR LA CUISINIÈRE :

- Ne jamais laisser un élément de surface fonctionner à puissance maximale sans surveillance. Un renversement/débordement de matière grasseuse peut provoquer des flammes et générer de la fumée. Chauffer l'huile à une puissance moyenne ou basse.
- Veiller à toujours faire fonctionner le ventilateur de la hotte lors de la cuisson avec une puissance élevée ou lors de la cuisson d'un mets à flamber (à savoir crêpes Suzette, cerises jubiléées, steak au poivre flambé).
- Nettoyer fréquemment le ventilateur d'extraction. Veiller à ne pas laisser la graisse s'accumuler sur les surfaces du ventilateur ou des filtres.
- Utiliser toujours un ustensile de taille appropriée. Utiliser toujours un ustensile adapté à la taille de l'élément chauffant.

AVERTISSEMENT : POUR RÉDUIRE LE RISQUE DE BLESSURES APRÈS LE DÉCLENCHEMENT D'UN FEU DE GRAISSE SUR LA CUISINIÈRE, RESPECTER LES RECOMMANDATIONS SUIVANTES^a:

- Placer sur le récipient un couvercle bien ajusté, une tôle à biscuits ou un plateau métallique **POUR ÉTOUFFER LES FLAMMES**, puis éteindre le brûleur. **VEILLER À ÉVITER LES BRÛLURES**. Si les flammes ne s'éteignent pas immédiatement, **ÉVACUER LA PIÈCE ET APPELER LES POMPIERS**.
- **NE JAMAIS PRENDRE EN MAIN UN RÉCIPIENT ENFLAMMÉ** – Vous risquez de vous brûler.
- **NE PAS UTILISER D'EAU** ni de torchon humide – ceci pourrait provoquer une explosion de vapeur brûlante.
- Utiliser un extincteur **SEULEMENT** si :
 - Il s'agit d'un extincteur de classe ABC, dont on connaît le fonctionnement.
 - Il s'agit d'un petit feu encore limité à l'endroit où il s'est déclaré.
 - Les pompiers ont été contactés.
 - Il est possible de garder le dos orienté vers une sortie pendant l'opération de lutte contre le feu.

^aRecommandations tirées des conseils de sécurité en cas d'incendie de cuisine publiés par la NFPA.

- **AVERTISSEMENT :** Pour réduire le risque d'incendie ou de décharge électrique, ne pas utiliser ce ventilateur avec un dispositif de réglage de la vitesse à semi-conducteurs.
- Cet appareil ne convient pas à une utilisation par des personnes (y compris des enfants) dont les capacités physiques, sensorielles ou mentales sont différentes ou réduites ou qui ne possèdent pas l'expérience, les connaissances ou l'expertise nécessaire, à moins d'être supervisées ou d'avoir reçu des instructions concernant l'utilisation par une personne responsable de leur sécurité.

LIRE ET CONSERVER CES INSTRUCTIONS

EXIGENCES D'INSTALLATION

Outils et pièces

Rassembler les outils et pièces nécessaires avant d'entreprendre l'installation. Lire et observer les instructions fournies avec chacun des outils de la liste ci-dessous.

Outils nécessaires

- Outils nécessaires
- Niveau
- Perceuse avec des forets 1/4" (3 cm), 3/16" (4,8 mm), 1/8" (3 mm) et 5/18" (7,9 mm)
- Crayon
- Pince à dénuder ou couteau utilitaire
- Mètre-ruban ou règle
- Pince
- Pistolet à calfeutrage et composé de calfeutrage résistant aux intempéries
- Brides de conduit d'évacuation
- Scie sauteuse ou scie à guichet
- Tournevis à lame plate
- Cisaille de ferblantier
- Tournevis Phillips
- Ensemble de clés à tête hexagonale (système métrique)

Pièces nécessaires

- Câble d'alimentation électrique du domicile
- Serre-câble de 1/2" (12,7 mm) (homologation UL ou CSA)
- 3 connecteurs de fils homologués UL
- 1 bouche de décharge (décharge à travers le mur ou à travers le toit)
- Circuit d'évacuation métallique

Pièces fournies

Retirer les pièces de leur emballage. Vérifier que toutes les pièces sont présentes.

- Auvent de hotte avec ventilateur et lampes installés
- Connecteur 3/4" x 10" (8,3 x 25,4 cm) pour conduit rectangulaire
- 2 filtres à graisse métalliques, pour modèle de 30" (76,2 cm)
- 3 filtres à graisse métalliques, pour modèle de 36" (91,4 cm)
- Raccord d'adaptation Torx®† T20®
- 4 vis de montage de 5 x 45 mm
- 6 vis de 4,5 x 13 mm
- 3 vis de 4 x 8 mm
- 4 chevilles d'ancrage mural de 10 x 50 mm

Exigences d'emplacement

IMPORTANT : Observer les dispositions de tous les codes et règlements en vigueur.

Confier l'installation de la hotte à un technicien qualifié. C'est à l'installateur qu'incombe la responsabilité de respecter les distances de séparation spécifiées sur la plaque signalétique de l'appareil. La plaque signalétique de l'appareil est située derrière le filtre de gauche, sur la paroi arrière de la hotte.

On doit toujours installer la hotte à distance des sources de courant d'air (fenêtres, portes et bouches de chauffage).

Respecter les dimensions indiquées pour les ouvertures à découper dans les placards. Ces dimensions tiennent compte des valeurs minimales des dégagements de séparation.

On doit disposer d'une prise de courant électrique reliée à la terre. Voir la section "Spécifications électriques".

La hotte est configurée à l'usine pour une décharge à travers le toit ou un mur.

On doit assurer l'étanchéité au niveau de chaque ouverture découpée dans le plafond ou un mur traversé par l'équipement de la hotte.

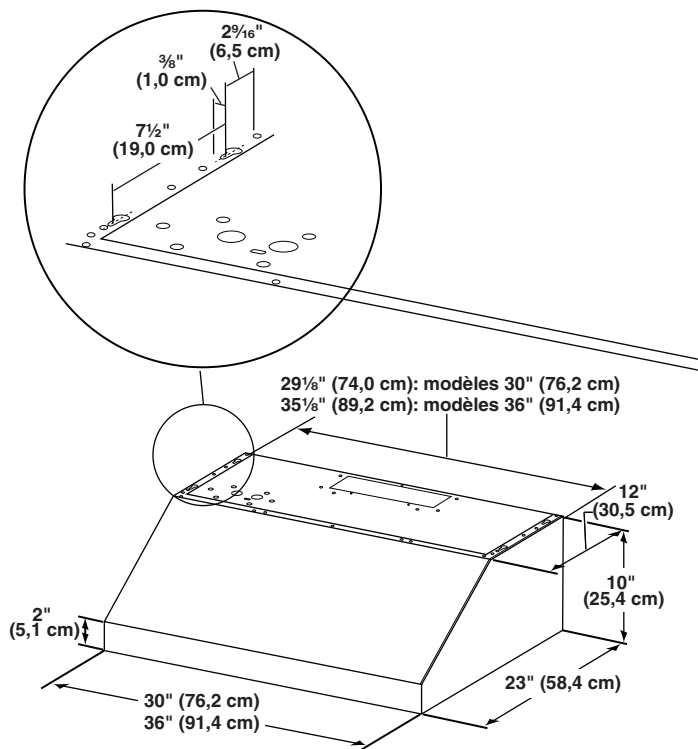
Installation dans une résidence mobile

L'installation de cette hotte doit satisfaire aux exigences de la norme Manufactured Home Construction Safety Standards, Titre 24 CFR, partie 328 (anciennement Federal Standard for Mobile Home Construction and Safety, titre 24, HUD, partie 280); lorsque cette norme n'est pas applicable, l'installation doit satisfaire aux critères de la plus récente édition de la norme Manufactured Home Installation 1982 (Manufactured Home Sites, Communities and Setups) ANSI A225.1/NFPA 501A, ou des codes locaux.

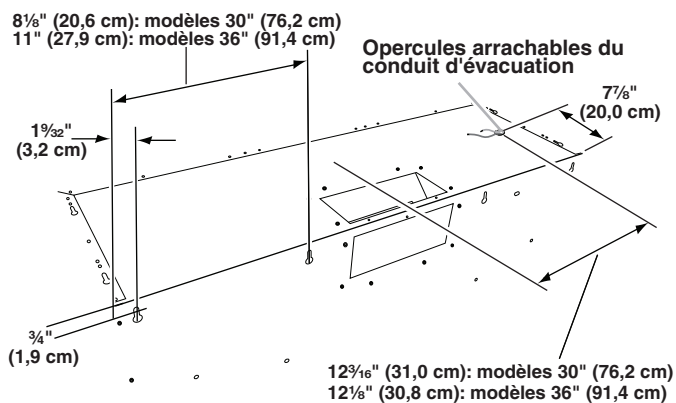
†®TORX et T20 sont des marques déposées de Acument Intellectual Properties, LLC

Dimensions du produit

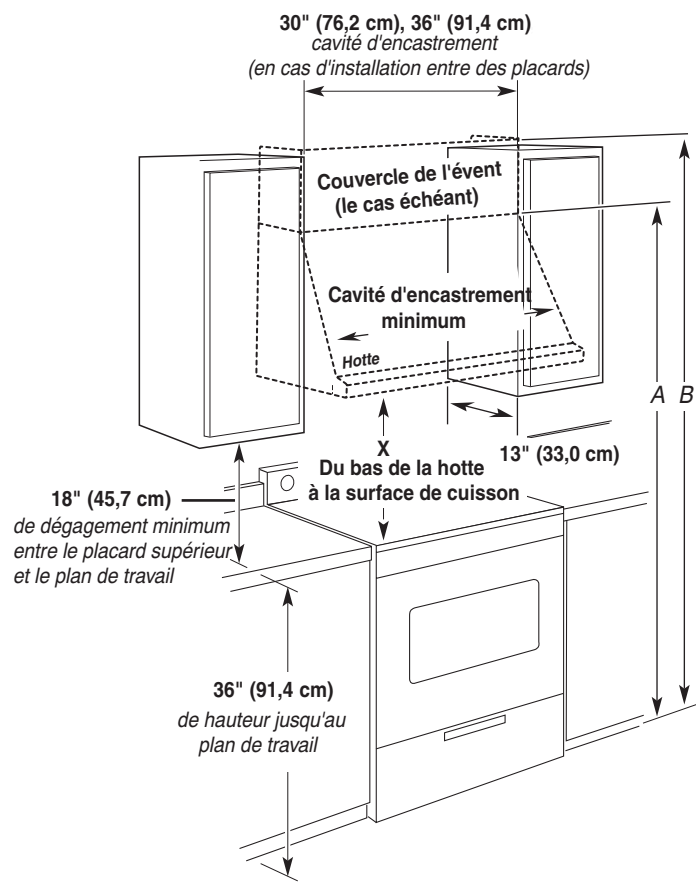
Vue de face



Vue arrière



Dimensions du placard



A. 76" (193,0 cm) minimum pour les installations avec hotte uniquement.

B. 88" (223,5 cm) minimum pour les installations avec cacheconduit facultatif.

IMPORTANT :

Valeur minimale de la distance "X" : 30" (76,2 cm)

Valeur maximale suggérée pour la distance "X" : 36" (91,4 cm)

Exigences concernant l'évacuation

- Le système doit décharger l'air à l'extérieur.
- Ne pas terminer le circuit d'évacuation dans un grenier ou dans un autre espace clos.
- Ne pas utiliser une bouche de décharge murale de 4" (10,2 cm) normalement utilisée pour un équipement de buanderie.
- Utiliser un conduit métallique uniquement. Un conduit en métal rigide est recommandé.
- La longueur du système d'évacuation et le nombre de coudes doivent être réduits au minimum pour des performances optimales.

Pour un fonctionnement efficace et silencieux :

- Ne pas utiliser plus de trois coudes à 90°.
- Veiller à ce qu'il y ait une section droite de conduit d'un minimum de 24" (61,0 cm) entre les raccords coudés, si on doit en utiliser plus d'un.
- Ne pas installer 2 coudes successifs.
- Au niveau de chaque jointure du circuit d'évacuation, assurer l'étanchéité avec les brides de serrage.
- Le circuit d'évacuation doit comporter un clapet anti-reflux. Si la bouche de décharge murale ou par le toit comporte un clapet, ne pas utiliser le clapet fourni avec la hotte de cuisinière.
- À l'aide d'un produit de calfeutrage, assurer l'étanchéité autour de la bouche de décharge à l'extérieur (à travers le mur ou le toit).
- La taille du conduit doit être uniforme.

Installations dans les régions au climat froid

On doit installer un clapet anti-retour supplémentaire à l'arrière pour minimiser le reflux d'air froid et incorporer un élément d'isolation thermique pour minimiser la conduction de chaleur par l'intermédiaire du conduit d'évacuation, de l'intérieur de la maison à l'extérieur. Le clapet anti-retour être placé du côté air froid de la barrière thermique.

L'élément d'isolation thermique doit être aussi proche que possible de l'endroit où le circuit d'évacuation s'introduit dans la partie chauffée de la maison.

Air d'appoint

Les codes locaux en bâtiment peuvent imposer l'emploi d'un circuit de renouvellement de l'air/introduction d'air d'appoint, lors de l'utilisation d'un circuit d'aspiration de débit supérieur à une valeur spécifiée en pieds cubes par minute. Le débit spécifié en pieds cubes par minute varie d'une juridiction à l'autre. Consulter un professionnel des installations de chauffage ventilation/climatisation au sujet des exigences spécifiques applicables dans la juridiction locale.

Méthodes d'évacuation

Cette hotte est configurée à l'usine pour la décharge de l'air aspiré à travers le toit ou à travers un mur.

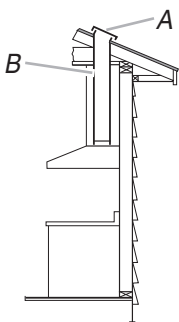
Pour l'installation on a besoin d'un circuit d'évacuation de conduit rectangulaire 3/4" x 10" (8,3 x 25,4 cm). L'ouverture de décharge de la hotte est 3/4" x 10" (8,3 x 25,4 cm). La sortie à l'extérieur du circuit d'évacuation peut se faire à travers le toit ou à travers un mur. Un coude à 90° est nécessaire pour aspirer l'air du dessus de la hotte et à travers un mur. Voir la section "Installation de la hotte" pour les détails pour l'installation d'un clapet anti-reflux.

REMARQUE : On déconseille l'emploi d'un conduit flexible. Un conduit flexible peut susciter une rétro-pression et des turbulences de l'air, ce qui réduit considérablement la performance.

Décharge à l'arrière

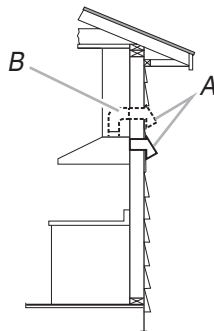
L'air aspiré par la hotte peut être déchargé directement à l'arrière à l'aide du clapet anti-reflux rectangulaire 3/4" x 10" (8,3 cm x 25,4 cm) (fourni) en même temps qu'un circuit d'évacuation de conduit rectangulaire 3/4" x 10" (8,3 cm x 25,4 cm) (non fourni). Voir la section "Installation de la hotte" pour les détails pour l'installation d'un clapet anti-reflux.

Décharge à travers le toit



A. Bouche de décharge sur toit
B. Conduit rectangulaire métallique 3/4" x 10" (8,3 x 25,4 cm)

Décharge à travers le mur (décharge par le dessus ou par l'arrière)



A. Bouche de décharge murale
B. Conduit rectangulaire métallique 3/4" x 10" (8,3 x 25,4 cm)

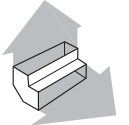
Calcul de la longueur effective du circuit d'évacuation

Pour calculer la longueur effective du circuit d'évacuation nécessaire, additionner les longueurs équivalentes (en pieds ou mètres) de tous les composants utilisés dans le système.

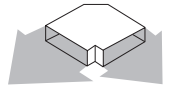
Système de décharge de 3/4" x 10" (8,3 cm x 25,4 cm)

Composant

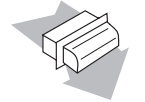
Coude à 90° de 3/4" x 10" (8,3 cm x 25,4 cm) 5,0 pi (1,5 m)



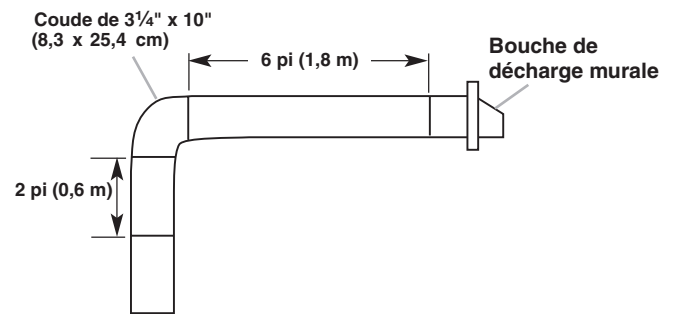
Coude plat de 3/4" x 10" (8,3 cm x 25,4 cm) 12,0 pi (3,7 m)



Bouche de décharge murale de 3/4" x 10" (8,3 cm x 25,4 cm) 0,0 pi (0,0 m)



Exemple de circuit d'évacuation



Longueur maximale recommandée = 35 pi (10,7 m)

1 coude à 90° = 5,0 pi (1,5 m)

Section droite de 8 pi (2,4 m) = 8 pi (2,4 m)

1 bouche de décharge murale = 0 pi (0 m)

Longueur du système de 3/4" x 10" (8,3 cm x 25,4 cm) = 13 pi (3,9 m)

Spécifications électriques

Observer les dispositions de tous les codes et règlements en vigueur.

S'assurer que l'installation électrique est correcte et qu'elle satisfait aux exigences de la plus récente édition de la norme National Electrical Code, ANSI/NFPA 70, ou de la norme CSA C22. 1-94, Code canadien de l'électricité, partie 1 et C22.2 n° 0-M91 (dernière édition) et de tous les codes et règlements en vigueur.

Si les codes le permettent et si l'on utilise un conducteur distinct de liaison à la terre, il est recommandé qu'un électricien qualifié vérifie la qualité de la liaison à la terre.

Pour obtenir un exemplaire des normes des codes ci-dessus, contacter :

National Fire Protection Association
1 Batterymarch Park
Quincy, MA 02169-7471
CSA International
8501 East Pleasant Valley Road
Cleveland, OH 44131-5575

- L'appareil doit être alimenté par un circuit de 120 V CA seulement, 60 Hz, 15 ampères, protégé par fusible.

- Si le domicile possède un câblage en aluminium, suivre la procédure ci-dessous :

1. Raccorder une section de câble en cuivre massif aux conducteurs en queue de cochon.
2. Connecter le câblage en aluminium à la section ajoutée de câblage en cuivre en utilisant des connecteurs et/ou des outils spécialement conçus et homologués UL pour fixer le cuivre à l'aluminium.

Suivre la procédure recommandée par le fabricant de connecteurs électriques. Les raccordements aluminium/cuivre doivent satisfaire aux prescriptions des codes locaux et de l'industrie, et être conformes aux pratiques de câblage reconnues.

- Le calibre des conducteurs et les connexions doivent être compatibles avec les caractéristiques électriques de l'appareil spécifiées sur la plaque signalétique. La plaque signalétique de l'appareil est située derrière le filtre, sur la paroi arrière de la hotte.
- Le calibre des conducteurs doit être conforme aux exigences du National Electrical Code, de la plus récente édition de la norme ANSI/NFPA 70 ou des normes CSA C22. 1-94, Code canadien de l'électricité, partie 1 et C22.2 n° 0-M91 (édition la plus récente) et de tous les codes et règlements en vigueur.

INSTRUCTIONS D'INSTALLATION

Préparation de l'emplacement

- Il est recommandé d'installer le conduit de décharge avant de procéder à l'installation de la hotte.
 - Si l'on installe un dossier ou un cache-conduit pleine largeur (facultatifs), suivre les instructions fournies avec ce produit.
 - Avant d'exécuter les découpages, vérifier la disponibilité d'un dégagement suffisant dans le plafond ou le mur pour le conduit d'évacuation.
 - Avant de sélectionner la hotte à installer, mesurer la hauteur libre sous plafond et la hauteur maximum disponible sous la hotte.
1. Déconnecter la source de courant électrique.
 2. Déterminer la méthode d'évacuation à utiliser : décharge à travers le mur ou le toit, ou recyclage.
 3. Sélectionner une surface plane pour l'assemblage de la hotte. Placer le matériau de protection sur cette surface.

AVERTISSEMENT

Risque du poids excessif

Utiliser deux ou plus de personnes pour déplacer et installer la hotte de la cuisinière.

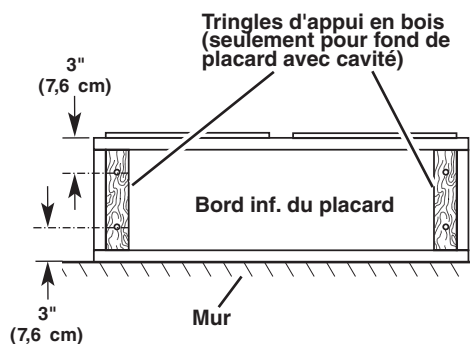
Le non-respect de cette instruction peut causer une blessure au dos ou d'autre blessure.

4. À l'aide de deux personnes ou plus, soulever la caisse de la hotte et la poser sur la surface couverte.

REMARQUE : Cette hotte de cuisine peut être montée sur des placards ou sur le mur.

Pour les installations sur des placards

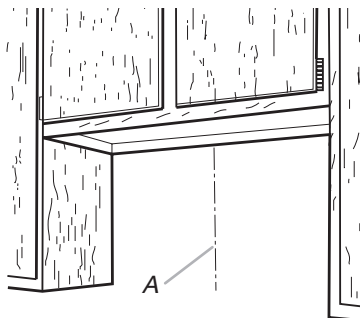
1. Si le fond du placard forme une cavité, ajouter des tringles d'appui en bois de chaque côté. Installer les vis pour fixer les tringles d'appui aux emplacements indiqués.



Déterminer l'emplacement du trou de passage du câble

Percer seulement un trou de passage de 1 1/4" (3,2 cm) de diamètre pour le câblage. Voir l'étape 2 pour des instructions sur l'emplacement du trou de passage du câblage.

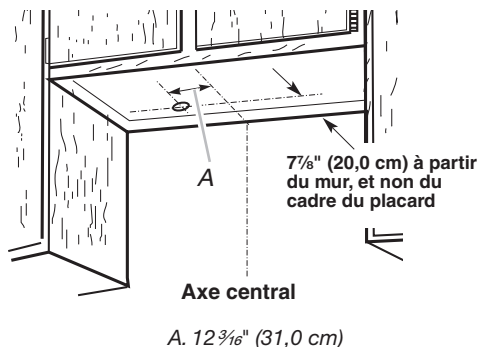
1. Déterminer et tracer l'axe central vertical sur le mur et le placard dans la zone où le passage du conduit d'évacuation sera réalisé.



A. Axe central

Câblage à travers le sommet du placard :

Tracer une ligne à distance "A" à gauche de l'axe central, sur la face inférieure du placard. Sur cette ligne, marquer le point situé à 7 7/8" (20,0 cm) du mur arrière. Percer en ce point un trou de 1 1/4" (3,2 cm) de diamètre à travers le placard.



A. 12 3/8" (31,0 cm)

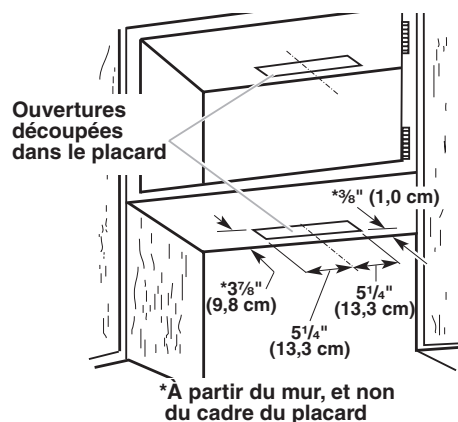
Découpage d'ouverture pour un système d'évacuation rectangulaire de 3 1/4" x 10" (8,3 cm x 25,4 cm)

Décharge à travers le toit

Découpage d'une ouverture rectangulaire de 3 1/2" x 10 1/2" (8,9 cm x 26,7 cm) dans le fond et le sommet de la face inférieure du placard :

1. Tracer des lignes à 3/8" (1,0 cm) et 3 7/8" (9,8 cm) du mur arrière, sur l'axe central de la face inférieure du placard.
2. Tracer des lignes à 5 1/4" (13,3 cm) de part et d'autre de l'axe central sur la face inférieure du placard.
3. Utiliser une scie sauteuse ou une scie à guichet pour découper l'ouverture rectangulaire pour le passage du conduit d'évacuation.

4. Répéter les étapes 1 à 3 pour la face inférieure du sommet du placard.

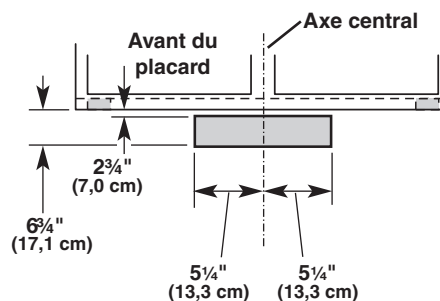


*A partir du mur, et non du cadre du placard

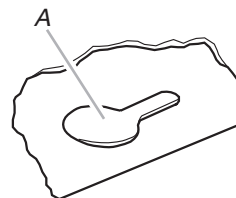
Décharge à travers le mur sous un placard Découpage d'une ouverture rectangulaire de 3 1/2" x 10 1/2" (8,9 cm x 26,7 cm) dans le mur :

1. Mesurer 2 lignes de 3/8" (9,5 mm) et 3 3/7" (9,8 cm) en descendant à partir de la face inférieure du placard et marquer leur emplacement sur l'axe central du mur arrière.
2. Tracer des lignes à 5 1/4" (13,3 cm) de part et d'autre de l'axe central sur le mur.

Utiliser une scie sauteuse ou une scie à guichet pour découper l'ouverture rectangulaire du système d'évacuation dans le mur.

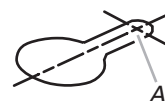


3. Soulever la hotte sous le placard et déterminer sa position d'installation finale en la centrant sous le placard. Sur la face inférieure du placard, marquer l'emplacement des 4 trous de montage sur la hotte. Placer la hotte à part sur une surface couverte.



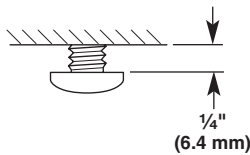
A. Trou en forme de serrure

4. À l'aide d'un foret de 1/8" (3 mm), percer 4 avant-trous tel qu'illustré.

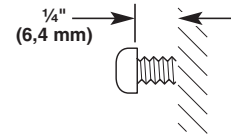


A. Perçage des avant-trous

- Install the 4 - 4.5 x 13 mm mounting screws in pilot holes. Leave about 1/4" (6.4 cm) space between screw heads and cabinet to slide range hood into place.

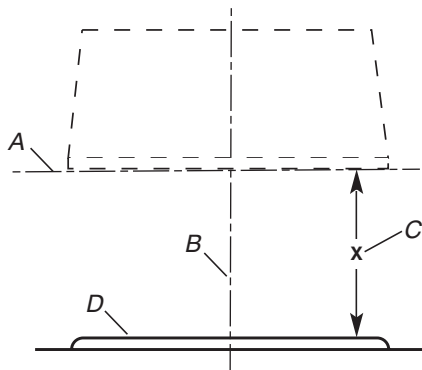


- Installer les 2 vis de montage de 5 x 45 mm. Laisser un espace de 1/4" (6,4 mm) entre le mur et l'arrière de la tête de vis pour faire glisser la hotte et la mettre en place.



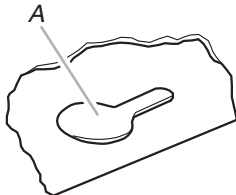
Installations murales :

- Déterminer et marquer la position de l'axe central sur le mur où la hotte sera installée.
- Choisir une hauteur de montage comprise entre un minimum de 30" (76,2 cm) et un maximum suggéré de 36" (91,4 cm) au-dessus de la cuisinière et du bas de la hotte. Marquer la ligne de repérage sur le mur.
- À l'aide d'au moins deux personnes, centrer la hotte sur l'axe de montage vertical, puis aligner le bas de la hotte avec la ligne en pointillés verticale marquée sur le mur.



- A. Ligne en pointillés horizontale
 B. Ligne de montage verticale
 C. Hauteur de montage
 D. Table de cuisson

- Marquer le centre des trous des organes de fixation. Placer la hotte à part sur une surface couverte.



A. Trou en forme de serrure

IMPORTANT : Toutes les vis doivent être vissées dans du bois. Si l'on ne peut pas visser la vis dans du bois, des tasseaux supplémentaires pour accrochage mural seront peut-être nécessaires.

- Percer des avant-trous de 3/16" (4,8 mm) à tous les emplacements pour la pose des vis dans du bois.



A. Perçage des avant-trous

- Déterminer et marquer toutes les lignes de découpage nécessaires sur le mur ou le plafond pour le passage du circuit d'évacuation. Installer le système d'évacuation avant la hotte. Voir la section "Exigences concernant l'évacuation".

Achever la préparation

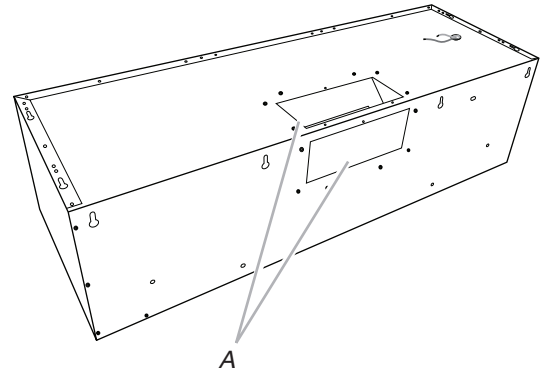
- Déterminer la hauteur appropriée pour le cordon d'alimentation du domicile et percer un trou de 1 1/4" (3,2 cm) à cet endroit.
- Acheminer le câble d'alimentation du domicile selon les prescriptions du Code national de l'électricité, des normes CSA ou des codes et règlements locaux. Il faut que la longueur du conduit de 1/2" et des conducteurs soit suffisante depuis le tableau de distribution (avec fusibles ou disjoncteurs) pour réaliser facilement le raccordement dans le boîtier de connexion de la hotte.

REMARQUE : Ne pas mettre le système sous tension avant d'avoir complètement terminé l'installation.

- Retirer le couvercle du boîtier de connexion et le mettre de côté.
- Ôter l'opercule arrachable du sommet de la hotte et installer un serre-câble de 1/2" (homologation UL ou CSA).

Installation de la hotte

- Ôter les filtres à graisse. Voir la section "Entretien de la hotte".
- Selon votre installation, retirer l'opercule rectangulaire supérieur ou arrière du conduit d'évacuation. Si l'on utilise un conduit d'évacuation rond, retirer l'opercule arrachable rectangulaire supérieur.



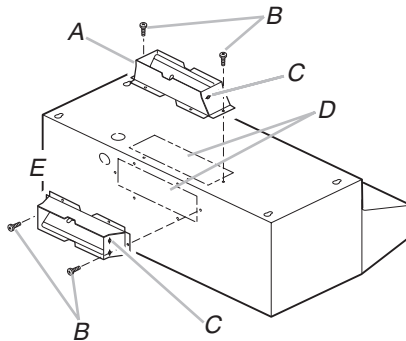
A. Opercules arrachables du conduit d'évacuation

Veiller à ce que le pivot du clapet soit le plus proche possible du bord supérieur/arrière de la hotte.

3. Enlever le ruban adhésif du volet du clapet.

REMARQUE : On peut installer le clapet anti-reflux rectangulaire de 3¼" x 10" (8,3 x 25,4) jusqu'à 1" (2,5 cm) de chaque côté du centre de la hotte pour pouvoir installer les conduits décentrés.

4. Fixer le connecteur de conduit rectangulaire de 3¼" x 10" (8,3 x 25,4 cm) à la hotte d'évacuation à l'aide de vis de tôlerie.



- A. Évacuation supérieure
- B. Vis de tôlerie
- C. Axe de charnière
- D. Opercules arrachables du conduit d'évacuation
- E. Évacuation arrière

REMARQUE : Si la bouche de décharge murale est derrière le connecteur de conduit rectangulaire, vérifier que le clapet anti-reflux et la bouche de décharge murale n'interfèrent pas entre eux. Retirer le clapet du connecteur de conduit rectangulaire de 3¼" x 10" (8,3 x 25,4 cm) s'ils interfèrent.

5. À l'aide d'au moins deux personnes, soulever la hotte et la placer à son emplacement final. Insérer suffisamment de câble électrique à travers le serre-câble de ½" (homologation UL ou CSA) pour établir les connexions avec le boîtier de connexion. Serrer les vis du serre-câble.
6. Positionner les trous allongés de la hotte par-dessus la tête des vis de montage. Puis pousser la hotte vers le mur (pour un montage sous un placard) ou laisser glisser la hotte jusqu'à la hauteur de montage marquée (pour un montage sur le mur) pour que les vis soient dans la partie étroite des trous de fixation des vis. Serrer les vis de montage en s'assurant que les vis sont dans la partie étroite des trous de fixation des vis. (Pour un montage sur le mur, vérifier l'aplomb de la hotte).
7. Raccorder le circuit d'évacuation à la hotte. Assurer l'étanchéité des jointures avec des brides pour conduits.
8. Vérifier que les clapets anti-retour fonctionnent correctement.

Raccordement électrique

⚠ AVERTISSEMENT



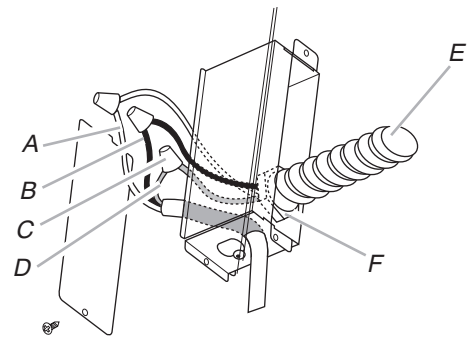
Risque de choc électrique

Déconnecter la source de courant électrique avant l'entretien.

Replacer pièces et panneaux avant de faire la remise en marche.

Le non-respect de ces instructions peut causer un décès ou un choc électrique.

1. Déconnecter la source de courant électrique.



- A. Conducteurs blancs
- B. Conducteurs noirs
- C. Connecteur de fils (homologation UL)
- D. Conducteurs verts (ou nus) ou verts-jaunes de liaison à la terre
- E. Câble d'alimentation électrique du domicile
- F. Serre-câble de 1/2" (homologation UL ou CSA)

2. Connecter ensemble les conducteurs blancs (A) à l'aide de connecteurs de fils (homologation UL).
3. Connecter ensemble les conducteurs noirs (B) à l'aide de connecteurs de fils (homologation UL).

⚠ AVERTISSEMENT



Risque de choc électrique

Relier le ventilateur à la terre.

Brancher le fil relié à la terre au fil vert et jaune relié à la terre dans la boîte de la borne.

Le non-respect de ces instructions peut causer un décès ou un choc électrique.

5. Installer le couvercle du boîtier de connexion.
6. Vérifier que toutes les ampoules d'éclairage sont bien fixées dans leur douille.
7. Reconnecter la source de courant électrique.

Installation des cache-conduits (facultatif)

Si l'on installe un cache-conduit facultatif pleine largeur, suivre les instructions fournies avec ce produit.

Achever l'installation

1. Installer les filtres à graisse métalliques. Voir la section "Entretien de la hotte".
2. Contrôler le fonctionnement du ventilateur de la hotte et de la lampe. Voir la section "Utilisation de la hotte".

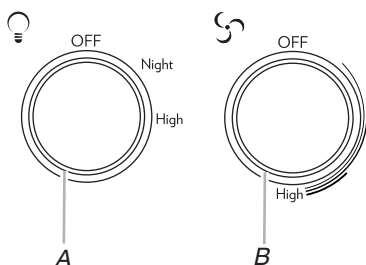
REMARQUE : Pour pouvoir tirer le plus grand parti de la nouvelle hotte de cuisinière, lire la section "Utilisation de la hotte".

4. À l'aide des connecteurs de fils (homologation UL), connecter le conducteur de liaison à la terre vert (ou nu) du câble d'alimentation du domicile à la vis verte-jaune de liaison à la terre (C) dans le boîtier de connexion.

UTILISATION DE LA HOTTE

La hotte de cuisinière est conçue pour extraire fumée, vapeurs de cuisson et odeurs de la zone de la table de cuisson. Pour obtenir les meilleurs résultats, mettre le ventilateur de la hotte en marche avant d'entreprendre une cuisson, et laisser le ventilateur fonctionner pendant plusieurs minutes après l'achèvement d'une cuisson pour pouvoir évacuer de la cuisine toute trace d'odeur de cuisson, vapeur ou fumée.

Les commandes de la hotte sont situées sous celle-ci, du côté droit.



A. Commande de la lampe à halogène
B. Commande du ventilateur

Commandes de la hotte de cuisinière

Pour faire fonctionner les lampes

1. Placer le commutateur d'éclairage à la position Night (nuit) pour utiliser les lampes de la hotte comme veilleuses.
2. Placer le commutateur d'éclairage à la position High (haut) pour allumer la lumière de la hotte.
3. Placer le commutateur d'éclairage à la position Off (arrêt) pour éteindre les lumières de la hotte.

Utilisation du ventilateur

1. Placer le commutateur du ventilateur à la première position pour placer la hotte sur Low (bas).
2. Placer le commutateur du ventilateur à la seconde position pour placer la hotte sur Medium (moyen).
3. Placer le commutateur du ventilateur à la troisième position pour placer la hotte sur Medium-High (moyen-haut).
4. Placer le commutateur du ventilateur à la position High (haut) pour placer la hotte sur High (haut).
5. Placer le commutateur du ventilateur à la position Off (arrêt) pour éteindre le ventilateur de la hotte.

ENTRETIEN DE LA HOTTE

Nettoyage

IMPORTANT : Nettoyer fréquemment la hotte et les filtres à graisse en suivant les instructions suivantes. Réinstaller les filtres à graisse avant de faire fonctionner la hotte.

Surfaces externes :

Afin d'éviter d'endommager la surface externe, ne pas utiliser de tampons en laine d'acier ou de tampons à récurer savonneux.

Toujours essuyer pour éviter de laisser des marques d'eau.

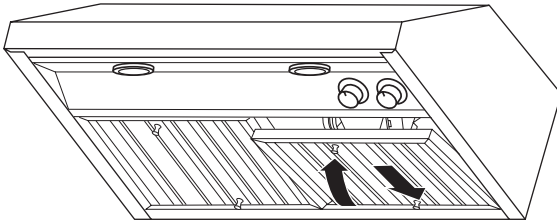
Méthode de nettoyage :

- Savon détergent liquide et eau, ou produit de nettoyage polyvalent.
- Frotter avec un chiffon doux humide ou une éponge non abrasive, puis rincer avec de l'eau propre et essuyer.

Filtre à graisse métallique

Dépose des filtres à graisse métalliques

1. Employer les deux mains pour retirer les filtres. Saisir les poignées du filtre, tirer vers l'arrière de la hotte et tirer sur la poignée avant pour retirer le filtre.



2. Répéter pour chaque filtre à graisse.
3. Laver les filtres métalliques autant que nécessaire au lave-vaisselle ou à la main dans une solution de détergent chaude pour les nettoyer..

Réinstallation des filtres à graisse métalliques :

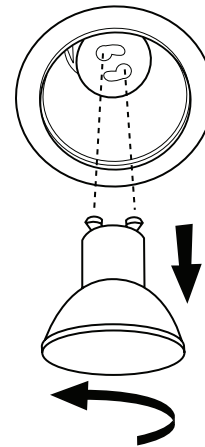
1. Saisir les poignées du filtre et insérer l'arrière du filtre dans la rainure arrière.
2. Tirer sur la poignée arrière et insérer le devant du filtre à graisse dans la rainure avant et bien fixer.
3. Répéter pour chaque filtre.

Remplacement d'une lampe à halogène

Interrompre l'alimentation de la hotte; attendre le refroidissement de la lampe à halogène. Pour éviter d'endommager ou de réduire la longévité de l'ampoule neuve, ne pas toucher l'ampoule avec les doigts nus. Remplacer l'ampoule en la manipulant avec un mouchoir de papier ou des gants de coton.

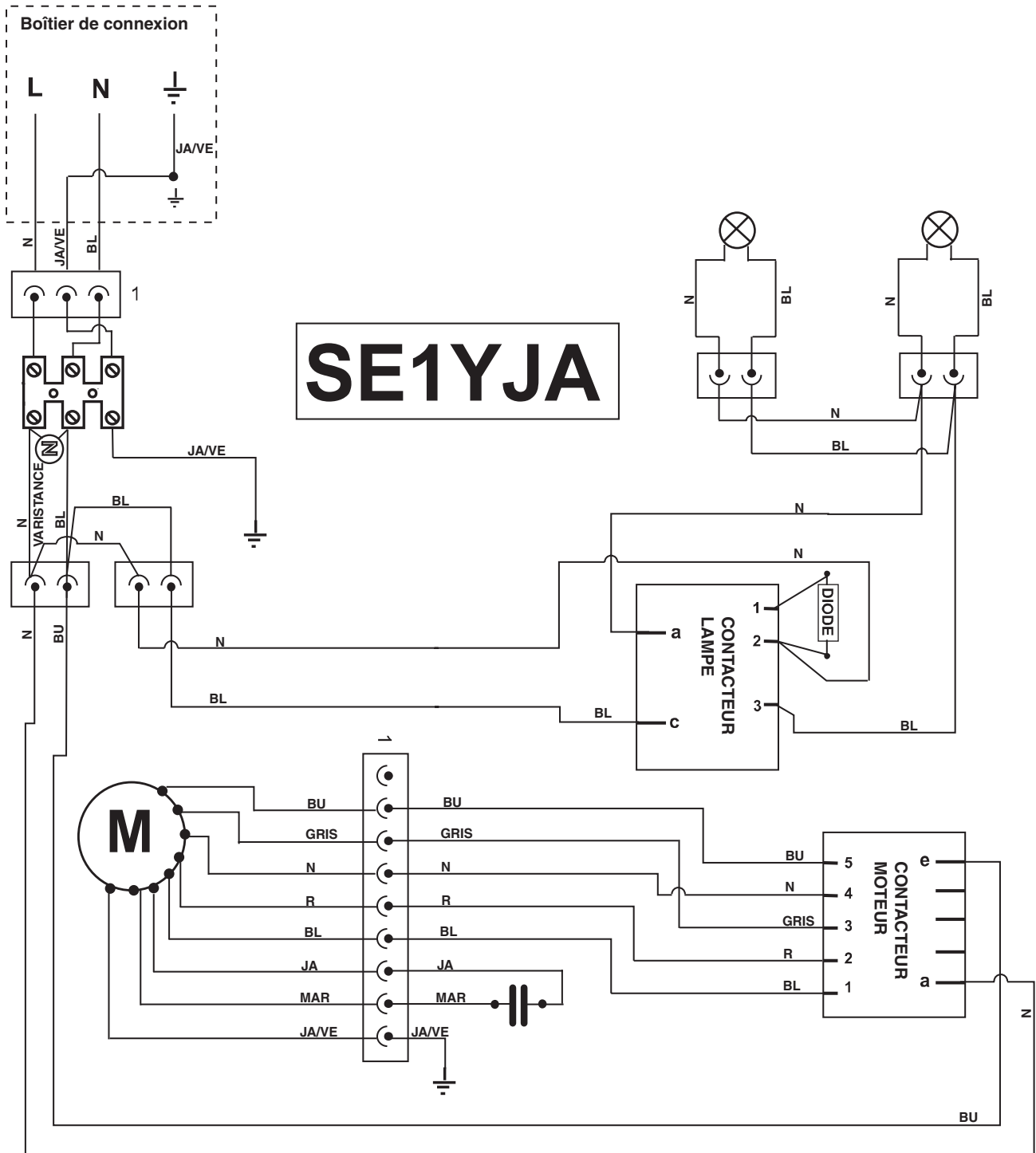
Si les nouvelles lampes ne fonctionnent pas, vérifier que chaque lampe est correctement insérée dans sa douille avant de demander l'intervention d'un dépanneur.

1. Déconnecter la source de courant électrique.
2. Pousser la plaque de verre vers le haut et la tourner dans le sens antihoraire.



3. Retirer l'ampoule et la remplacer par une ampoule halogène de 120 volts, 50 watts maximum avec culot GU10. La tourner dans le sens horaire pour l'emboîter.
4. Répéter les étapes 2 à 3 pour l'autre ampoule, si nécessaire.
5. Reconnecter la source de courant électrique.

SCHÉMA DE CÂBLAGE



ASSISTANCE OU SERVICE

Si vous avez besoin de service

Consulter la page de garantie du présent manuel.

Si vous avez besoin de pièces de rechange

Si vous avez besoin de commander des pièces de rechange, nous vous recommandons d'utiliser seulement des pièces spécifiées par l'usine. Les pièces spécifiées par l'usine conviendront et fonctionneront bien car elles sont fabriquées avec la même précision que celles utilisées pour fabriquer chaque nouvel appareil.

Pour localiser des pièces spécifiées par l'usine dans votre région, composer le numéro de téléphone d'aide à la clientèle suivant ou appeler le centre de service désigné le plus proche.

Au Canada

Téléphoner sans frais au Centre pour l'eXpérience de la clientèle Whirlpool Canada LP au **1-800-JENNAIR (1-800-536-6247)** ou visiter notre site Internet sur **www.jennair.ca**.

Nos consultants peuvent vous aider sur les points suivants :

- Appeler pour demander une intervention de dépannage. Les techniciens de service désignés par JennAir® sont formés pour remplir la garantie des produits et fournir un service après la garantie, partout au Canada.
- Caractéristiques et spécifications de notre gamme complète d'appareils ménagers.
- Références aux concessionnaires locaux JennAir®.
- Renseignements pour l'installation.
- Procédés d'utilisation et d'entretien.
- Vente d'accessoires et de pièces de rechange.

Pour de l'aide supplémentaire

Si vous avez besoin d'aide supplémentaire, vous pouvez écrire à JennAir® Appliances en soumettant toute question ou problème à :

JennAir Brand Home Appliances
Customer eXperience Centre
200 - 6750 Century Ave.
Mississauga, Ontario L5N 0B7

Veillez indiquer dans votre correspondance un numéro de téléphone où l'on peut vous joindre dans la journée.

Accessoires

Dosseret avec tablettes

Commander la pièce numéro W10285447 pour modèle 30" (76,2 cm)

Commander la pièce numéro W10285448 pour modèle 36" (91,4 cm)

Dosseret sans tablettes

Commander la pièce numéro 8285148 pour modèle de 30" (76,2 cm)

Commander la pièce numéro 8284756 pour modèle de 36" (91,4 cm)

Cache-cheminée pleine largeur

Commander la pièce numéro W10272079 pour modèle 30" (76,2 cm)

Commander la pièce numéro W10272080 pour modèle 36" (91,4 cm)

REMARQUES

