

JENN-AIR® 36" (91.4 CM) AND 42" (106.7 CM) ISLAND CANOPY RANGE HOOD

HOTTE DE CUISINIÈRE JENN-AIR® POUR ÎLOT DE 36" (91,4 CM) ET 42" (106,7 CM)

Installation Instructions and Use & Care Guide

For questions about features, operation/performance, parts, accessories, or service in the U.S.A., call:

1-800-JENNAIR (1-800-536-6247) or visit our website at **www.jennair.com**.

In Canada, call: **1-800-JENNAIR (1-800-536-6247)**, or visit our website at **www.jennair.ca**.

Instructions d'installation et Guide d'utilisation et d'entretien

Au Canada, pour assistance, installation ou service, composez le **1-800-JENNAIR (1-800-536-6247)** ou visitez notre site web à **www.jennair.ca**.

Table of Contents/Table des matières 2

IMPORTANT: READ AND SAVE THESE INSTRUCTIONS.

FOR RESIDENTIAL USE ONLY.

IMPORTANT : LIRE ET CONSERVER CES INSTRUCTIONS.

POUR UTILISATION RÉSIDENNELLE UNIQUEMENT.

JENN-AIR®

2846/W10640310B

TABLE OF CONTENTS

RANGE HOOD SAFETY	3
INSTALLATION REQUIREMENTS	5
Tools and Parts	5
Location Requirements	5
Venting Requirements	6
Electrical Requirements	7
INSTALLATION INSTRUCTIONS	8
Prepare Location	8
Install Range Hood	9
Make Electrical Connection	11
Complete Installation	13
RANGE HOOD USE	13
Controls and Features	13
RANGE HOOD CARE	14
Cleaning	14
WIRING DIAGRAM	16
ASSISTANCE OR SERVICE	17
In the U.S.A.	17
In Canada	17
Accessories	17
WARRANTY	18

TABLE DES MATIÈRES

SÉCURITÉ DE LA HOTTE DE CUISINIÈRE	19
EXIGENCES D'INSTALLATION	21
Outils et pièces	21
Exigences d'emplacement	21
Exigences concernant l'évacuation	22
Spécifications électriques	23
INSTRUCTIONS D'INSTALLATION	24
Préparation de l'emplacement	24
Installation de la hotte	26
Raccordement électrique	28
Achever l'installation	29
UTILISATION DE LA HOTTE	30
Commandes et caractéristiques	30
ENTRETIEN DE LA HOTTE	31
Nettoyage	31
SCHÉMA DE CÂBLAGE	33
ASSISTANCE OU SERVICE	34
Au Canada	34
Accessoires	34
GARANTIE	35

RANGE HOOD SAFETY

Your safety and the safety of others are very important.

We have provided many important safety messages in this manual and on your appliance. Always read and obey all safety messages.



This is the safety alert symbol.

This symbol alerts you to potential hazards that can kill or hurt you and others.

All safety messages will follow the safety alert symbol and either the word "DANGER" or "WARNING."

These words mean:

 **DANGER**

You can be killed or seriously injured if you don't immediately follow instructions.

 **WARNING**

You can be killed or seriously injured if you don't follow instructions.

All safety messages will tell you what the potential hazard is, tell you how to reduce the chance of injury, and tell you what can happen if the instructions are not followed.

State of California Proposition 65 Warnings:

WARNING: This product contains one or more chemicals known to the State of California to cause cancer.

WARNING: This product contains one or more chemicals known to the State of California to cause birth defects or other reproductive harm.

IMPORTANT SAFETY INSTRUCTIONS

WARNING: TO REDUCE THE RISK OF FIRE, ELECTRIC SHOCK, OR INJURY TO PERSONS, OBSERVE THE FOLLOWING:

- Use this unit only in the manner intended by the manufacturer. If you have questions, contact the manufacturer.
- Before servicing or cleaning the unit, switch power off at service panel and lock the service disconnecting means to prevent power from being switched on accidentally. When the service disconnecting means cannot be locked, securely fasten a prominent warning device, such as a tag, to the service panel.
- Installation work and electrical wiring must be done by qualified person(s) in accordance with all applicable codes and standards, including fire-rated construction.
- Do not operate any fan with a damaged cord or plug. Discard fan or return to an authorized service facility for examination and/or repair.
- Sufficient air is needed for proper combustion and exhausting of gases through the flue (chimney) of fuel burning equipment to prevent backdrafting. Follow the heating equipment manufacturer's guideline and safety standards such as those published by the National Fire Protection Association (NFPA), the American Society for Heating, Refrigeration and Air Conditioning Engineers (ASHRAE), and the local code authorities.
- When cutting or drilling into wall or ceiling, do not damage electrical wiring and other hidden utilities.
- Ducted fans must always be vented outdoors.

CAUTION: For general ventilating use only. Do not use to exhaust hazardous or explosive materials and vapors.

CAUTION: To reduce risk of fire and to properly exhaust air, be sure to duct air outside - do not vent exhaust air into spaces within walls or ceilings, attics or into crawl spaces, or garages.

WARNING: TO REDUCE THE RISK OF FIRE, USE ONLY METAL DUCTWORK.

WARNING: TO REDUCE THE RISK OF A RANGE TOP GREASE FIRE:

- Never leave surface units unattended at high settings. Boilovers cause smoking and greasy spillovers that may ignite. Heat oils slowly on low or medium settings.
- Always turn hood ON when cooking at high heat or when flambeing food (i.e. Crepes Suzette, Cherries Jubilee, Peppercorn Beef Flambé).
- Clean ventilating fans frequently. Grease should not be allowed to accumulate on fan or filter.
- Use proper pan size. Always use cookware appropriate for the size of the surface element.

WARNING: TO REDUCE THE RISK OF INJURY TO PERSONS IN THE EVENT OF A RANGE TOP GREASE FIRE, OBSERVE THE FOLLOWING:^a

- SMOTHER FLAMES with a close fitting lid, cookie sheet, or metal tray, then turn off the burner. BE CAREFUL TO PREVENT BURNS. If the flames do not go out immediately, EVACUATE AND CALL THE FIRE DEPARTMENT.
- NEVER PICK UP A FLAMING PAN - you may be burned.
- DO NOT USE WATER, including wet dishcloths or towels - a violent steam explosion will result.
- Use an extinguisher ONLY if:
 - You know you have a class ABC extinguisher, and you already know how to operate it.
 - The fire is small and contained in the area where it started.
 - The fire department is being called.
 - You can fight the fire with your back to an exit.

^aBased on "Kitchen Fire Safety Tips" published by NFPA.

- **WARNING:** To reduce the risk of fire or electrical shock, do not use this fan with any solid-state speed control device.

READ AND SAVE THESE INSTRUCTIONS

INSTALLATION REQUIREMENTS

Tools and Parts

Gather the required tools and parts before starting installation. Read and follow the instructions provided with any tools listed here.

Tools needed:

- Level
- Drill with 1¼" (3.0 cm), ½" (12.7 mm) and ⅜" (5.0 mm) drill bits
- Pencil
- Tape measure or ruler
- Pliers
- Caulking gun and weatherproof caulking compound
- Vent clamps
- Jigsaw or keyhole saw
- Flat-blade screwdriver
- Metal snips
- Phillips screwdriver
- ½" (13 mm) socket and driver with 24" (61 cm) of extensions
- T20† TORX® bit or driver

Parts needed:

- Home power supply
- ½" (12.7 mm) UL listed or CSA approved strain reliefs

For vented installations, you will also need:

- 1 wall or roof cap
- Metal vent system

For non-vented (recirculating) installations, you will also need:

- Chimney Kit Recirculation for non-vented (recirculating) installations only. See "Assistance or Service" section to order.
- Charcoal Filter Part Number W10272069. See "Assistance or Service" section to order.

Parts supplied:

Remove parts from packages. Check that all parts are included.

- Hood canopy assembly with ventilator and lights installed
- Mounting boss/damper/6" (15.2 cm) round flexible metal duct 7" (17.8 cm) long (not expanded)
- Filter - installed in hood canopy
- (4) 8 x 80 mm hanger bolts (T20® TORX® drive)
- (4) 8 mm x ½" (13 mm) hex nuts
- (4) 5 x 13 mm mounting screws (T20® TORX® drive)
- Mounting template
- Upper chimney cover
- Lower chimney cover
- ½" (13 mm) special nut tightening tool
- Vent clamp for 6" (15.2 cm) duct
- (2) 3.5 x 9.5 mm screws used for supporting the lower chimney (located inside canopy behind filters).

Location Requirements

IMPORTANT: Observe all governing codes and ordinances.

Have a qualified technician install the range hood. It is the installer's responsibility to comply with installation clearances specified on the model/serial/rating plate. The model/serial/rating plate is located behind the left filter on the rear wall of the vent hood.

Canopy hood location should be away from strong draft areas, such as windows, doors and strong heating vents.

Cabinet opening dimensions that are shown must be used. Given dimensions provide minimum clearance.

This range hood is recommended for use with cooktops with a maximum total rating of 78,000 BTUs or less.

Grounded electrical outlet is required. See "Electrical Requirements" section.

Because of the size and weight of this island hood, the chimney support must be securely attached to the ceiling.

- The chimney support must be attached to joists. If this is not possible, you must build a support structure behind the plaster or drywall. The support structure must be able to support 100 lbs (45.4 kg).

The range hood is factory set for venting through the roof or wall.

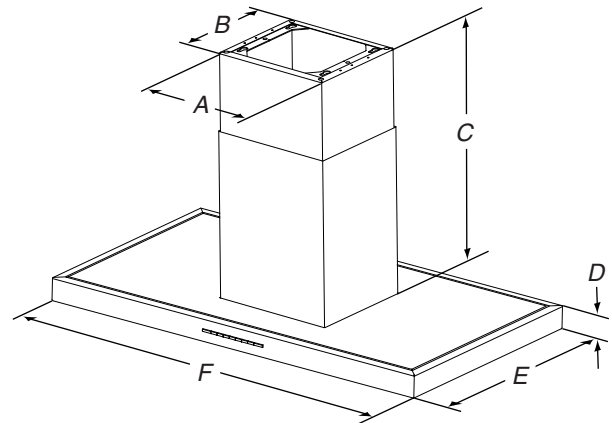
For non-vented (recirculating) Installation see "Non-vented (recirculating) Installations" in "Install Range Hood" section. Chimney Kit Recirculation and Charcoal Filter Kit Part Number W10272069 are available from your dealer or an authorized parts distributor. See "Assistance or Service" section to order.

All openings in ceiling and wall where range hood will be installed must be sealed.

For Mobile Home Installations:

The installation of this range hood must conform to the Manufactured Home Construction Safety Standards, Title 24 CFR, Part 328 (formerly the Federal Standard for Mobile Home Construction and Safety, Title 24, HUD, Part 280) or when such standard is not applicable, the standard for Manufactured Home Installation 1982 (Manufactured Home Sites, Communities and Setups) ANSI A225.1/NFPA 501A, or latest edition, or with local codes.

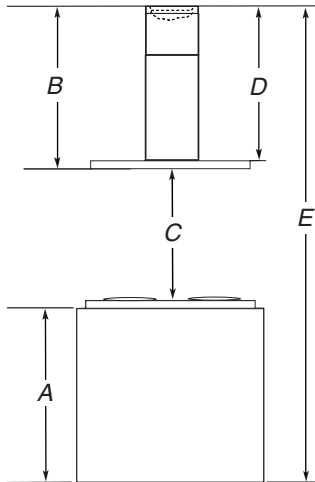
Product Dimensions



- | | |
|---|---------------------------------------|
| A. 13" (33.0 cm) | D. 2 ⅝" (6.0 cm) |
| B. 11 ¼" (28.6 cm) | E. 24" (61.0 cm) |
| C. 28" (71 cm) min.
45 ¼" (115 cm) max | F. 36" (91.4 cm)
or 42" (106.7 cm) |

†T20 and TORX are registered trademarks of Acument Intellectual Properties, LLC.

Installation Dimensions



- A. Countertop height
 B. Hood height from ceiling to bottom of the range hood: $E - A - C = B$
 C. Hood height: 24" (61.0 cm) min. from electric cooking surface, 30" (76.2 cm) min. from gas cooking surface, suggested 36" (91.2 cm) max.
 D. Chimney assembly height: $D = B - 2\frac{3}{8}"$ (6.0 cm)
 E. Ceiling height

IMPORTANT:

Minimum distance "C": 24" (61.0 cm) from electric cooking surface, 30" (76.2 cm) from gas cooking surface
 Suggested maximum distance "C": 36" (91.4 cm)

NOTE: For best performance of the Auto Sense feature, the range hood should be installed at 24" (61.0 cm) from an electric cooking surface and 30" (76.2 cm) from a gas cooking surface.

The chimneys can be adjusted for different ceiling heights. See the following chart.

Vented Installations		
	Min. ceiling height	Max. ceiling height
Electric cooking surface	7' 6" (2.3 m)	10' (3.04 m)
Gas cooking surface	8' (2.45 m)	10' (3.04 m)
Non-vented (recirculating) Installations		
	Min. ceiling height	Max. ceiling height
Electric cooking surface	7' 6" (2.3 m)	10' (3.04 m)
Gas cooking surface	8' (2.45 m)	10' (3.04 m)

***NOTE:** The range hood chimneys are adjustable and designed to meet varying ceiling or soffit heights depending on the distance "C" between the bottom of the range hood and the cooking surface. For higher ceilings from 10' (3.05 m), a Stainless Steel Chimney Extension Kit is available from your dealer or an authorized parts distributor. The chimney extension replaces the upper chimney shipped with the range hood. See "Assistance or Service" section to order.

Venting Requirements

- Vent system must terminate to the outside, except for non-vented (recirculating) installations.
- Do not terminate the vent system in an attic or other enclosed area.
- Do not use 4" (10.2 cm) laundry-type wall caps.
- Use metal vent only. Rigid metal vent is recommended. Do not use plastic or metal foil vent.
- The vent system must have a damper. If the roof or wall cap has a damper, do not use the damper supplied with the range hood.

For the most efficient and quiet operation:

- Use a straight run or as few elbows as possible.
- Use no more than three 90° elbows.
- Make sure there is a minimum of 24" (61.0 cm) of straight vent between the elbows if more than 1 elbow is used.
- Do not install 2 elbows together.
- Use vent clamps to seal all joints in the vent system.
- Use caulking to seal exterior wall or roof opening around the cap.
- The size of the vent should be uniform.

Cold Weather Installations:

An additional back draft damper should be installed to minimize backward cold air flow and a thermal break should be installed to minimize conduction of outside temperatures as part of the vent system. The damper should be on the cold air side of the thermal break.

The break should be as close as possible to where the vent system enters the heated portion of the house.

Makeup Air:

Local building codes may require the use of makeup air systems when using ventilation systems greater than specified CFM of air movement. The specified CFM varies from locale to locale. Consult your HVAC professional for specific requirements in your area.

Venting Methods

This island hood is factory set for venting through the roof.

A 6" (15.2 cm) round vent system is needed for installation (not included). The hood exhaust opening is 6" (15.2 cm) round.

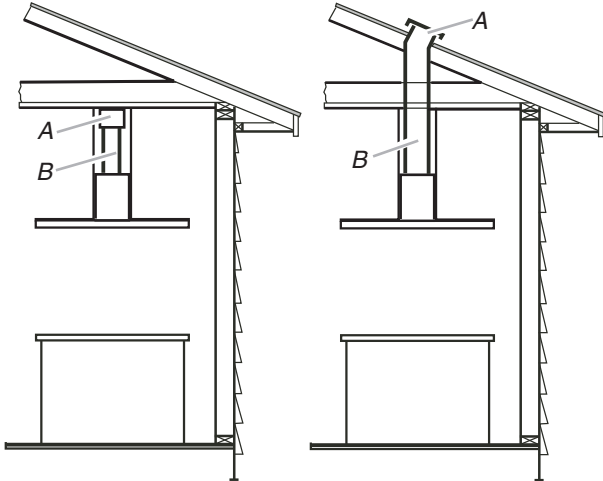
A 6" to 8" (15.2 cm to 20.3 cm) vent adapter is available for 8" (20.3 cm) vent systems. See the "Assistance or Service" section to order.

Vent system can terminate either through the roof or wall. To vent through a wall, a 90° elbow is needed.

For Non-Vented (recirculating) Installations:

If it is not possible to vent cooking fumes and vapors to the outside, the hood can be used in the non-vented (recirculating) version, fitting a charcoal filter and the deflector. Fumes and vapors are recycled through the upper chimney cover louvers. To order charcoal filter and recirculation kit, see "Accessories" in the "Assistance or Service" section.

Non-vented (recirculating) Roof Venting





A. Deflector
B. 6" (15.2 cm) round vent

A. Roof cap
B. 6" (15.2 cm) round vent

NOTE: Wall venting can be an option for 2-story homes.

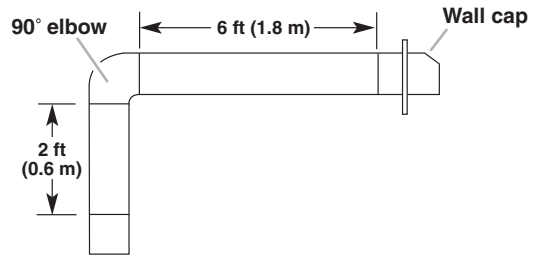
Calculating Vent System Length

To calculate the length of the system you need, add the equivalent feet (meters) for each vent piece used in the system.

Vent piece	6" (15.2 cm) round	
45° elbow	2.5 ft (0.8 m)	
90° elbow	5.0 ft (1.5 m)	

Maximum equivalent vent length is 35 ft (10.7 m).

Example Vent System:



The following example falls within the maximum vent length of 35 ft (10.7 m).

1 - 90° elbow	= 5.0 ft (1.5 m)
1 - wall cap	= 0.0 ft (0.0 m)
8 ft (2.4 m) straight	= 8.0 ft (2.4 m)
System length	= 13 ft (3.9 m)

Electrical Requirements

Observe all governing codes and ordinances.

Ensure that the electrical installation is adequate and in conformance with National Electrical Code, ANSI/NFPA 70 (latest edition), or CSA Standards C22.1-94, Canadian Electrical Code, Part 1 and C22.2 No. 0-M91 (latest edition) and all local codes and ordinances.

If codes permit and a separate ground wire is used, it is recommended that a qualified electrician determine that the ground path is adequate.

A copy of the above code standards can be obtained from:

National Fire Protection Association
1 Batterymarch Park
Quincy, MA 02169-7471

CSA International
8501 East Pleasant Valley Road
Cleveland, OH 44131-5575

- A 120 volt, 60 Hz., AC only, 15-amp, fused electrical circuit is required.
- If the house has aluminum wiring, follow the procedure below:
 1. Connect a section of solid copper wire to the pigtail leads.
 2. Connect the aluminum wiring to the added section of copper wire using special connectors and/or tools designed and UL listed for joining copper to aluminum.

Follow the electrical connector manufacturer's recommended procedure. Aluminum/copper connection must conform with local codes and industry accepted wiring practices.
- Wire sizes and connections must conform with the rating of the appliance as specified on the model/serial/rating plate. The model/serial/rating plate is located behind the filter on the rear wall of the range hood.
- Wire sizes must conform to the requirements of the National Electrical Code, ANSI/NFPA 70 (latest edition), or CSA Standards C22. 1-94, Canadian Electrical Code, Part 1 and C22.2 No. 0-M91 (latest edition) and all local codes and ordinances.

INSTALLATION INSTRUCTIONS

Prepare Location

- It is recommended that the vent system be installed before the range hood is installed.
 - Before making cutouts, make sure there is proper clearance within the ceiling for exhaust vent.
 - Range hood is to be installed 24" (61.0 cm) min. for electric cooking surfaces, 30" (76.2 cm) min. for gas cooking surfaces, to a suggested maximum of 36" (91.4 cm) above the cooking surface.
1. Disconnect power.
 2. Determine which venting method to use: roof or non-vented.
 3. Select a flat surface for assembling the range hood. Place covering over that surface.

⚠ WARNING

Excessive Weight Hazard

Use two or more people to move and install range hood.

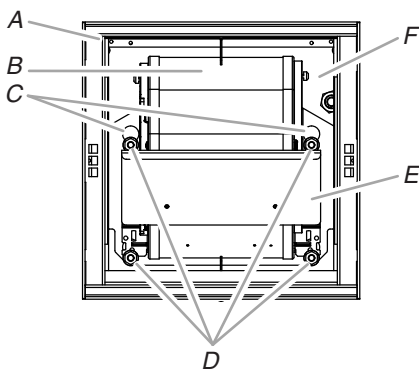
Failure to do so can result in back or other injury.

4. Using 2 or more people, lift range hood onto covered surface.
5. Remove the motor from the canopy assembly (see the "Motor Removal" section in this section).

Motor Removal

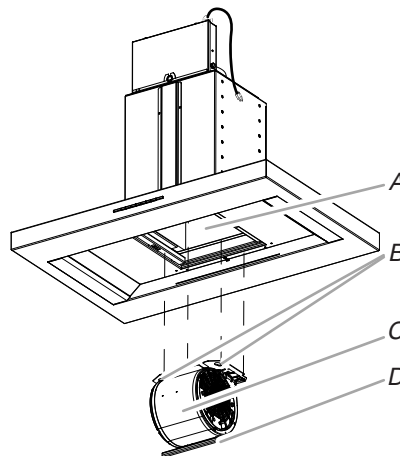
To remove motor:

1. Remove the filter cover and metal grease filter (see the "Metal Grease Filters" section in the Range Hood Care section).
2. Disconnect the blower motor wiring at the 9 pin connector.
3. Locate the special $\frac{1}{2}$ " (13 mm) tool inside the range hood blower housing in the left front corner behind the insulation pad. Use it to loosen the 4 nuts located inside the blower housing that mounts the motor to the module top cover.
4. Grasp the motor plate and slide the motor toward the back of the module housing to the large openings in the keyhole slots.



- A. Special $\frac{1}{2}$ " (13 mm) tool
- B. Motor assembly
- C. Keyhole slots (large opening) (4)
- D. $\frac{1}{2}$ " (13 mm) motor mounting nuts (4)
- E. Motor plate
- F. Module top cover

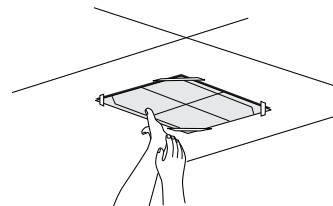
5. Remove the motor from the range hood.



- A. Blower housing
- B. Keyhole slots (4)
- C. Motor assembly
- D. Motor plate

Range Hood Mounting Screws Installation

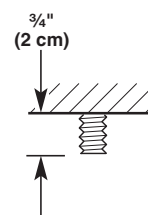
1. Determine and mark the centerline on the ceiling where the range hood will be installed, considering the requirements for ceiling support structures. See the "Location Requirements" section. Make sure the range hood is centered over the cooking surface.
2. Tape template in place on the ceiling at the marked centerline. Align the front of the template with the front of the cooktop.



3. Use a pencil to mark the mounting screws, wire access and duct hole locations on the ceiling.
NOTE: Mounting hole locations must be into the ceiling support structure. The mounting structure in the ceiling must be able to support 100 lbs (45.4 kg).

Remove the template.

4. Drill (4) $\frac{3}{16}$ " (4.8 mm) pilot holes at the marked locations on the ceiling for installing the hanger bolts.
5. Using a T20® Torx® bit and driver, install the (4) 8 x 80 mm hanger bolts into the pilot holes. Leave approximately $\frac{3}{4}$ " (2 cm) protruding down from the ceiling.

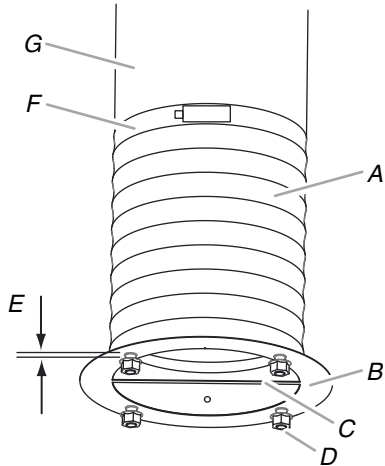


6. Screw the nuts on the hanger bolts, but do not tighten.

Complete Preparation

For Vented installations only:

1. Determine and make all necessary cuts in the ceiling for the vent system. Install the vent system before installing the hood. See "Venting Requirements" section.
2. Using a jigsaw or keyhole saw, cut a 6½" (16.5 cm) diameter hole in the ceiling for the vent duct.
3. Install the vent duct through the hole in the ceiling.
4. Connect the flexible vent section to the vent system.



- | | |
|-------------------------------------|--|
| A. 6" (15.2 cm) flexible metal duct | E. ⅜" (5 mm) |
| B. Mounting boss | F. Vent clamp |
| C. Mounting boss handle | G. 6" (15.2 cm) round vent system duct |
| D. Mounting studs and nuts (4) | |

NOTE: Mounting boss handle must be parallel with the front of the range hood to align the mounting studs with the half slots in the module top cover plate.

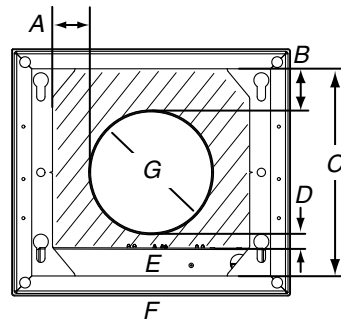
For Vented and Non-Vented installations:

1. Expand the flexible section of vent duct (supplied) to approximately 12" (30.5 cm) to 24" (61.0 cm) depending on the ceiling height.
NOTE: For ceiling heights above 9' (2.7 m), additional 6" (15.2 cm) round duct (not supplied) will be required.
2. Loosen the four nuts on the mounting boss. (The back flange of each nut should be approximately ⅜" [5 mm] from the face of the mounting boss.)
3. Secure all connections with vent clamps.

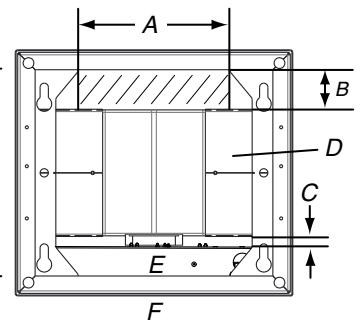
4. Determine the required location in the ceiling for the home power supply cable and drill a 1¼" (3.2 cm) hole at this location.

Top View:

Vented Installation:



Non-vented (recirculating) Installation:



- | |
|----------------------------|
| A. 1 1/16" (4.3 cm) |
| B. 1 3/16" (4.8 cm) |
| C. 9 7/8" (24.9 cm) |
| D. 5/8" (1.5 cm) |
| E. Electrical box |
| F. Front of range hood |
| G. 6" (15.2 cm) round duct |

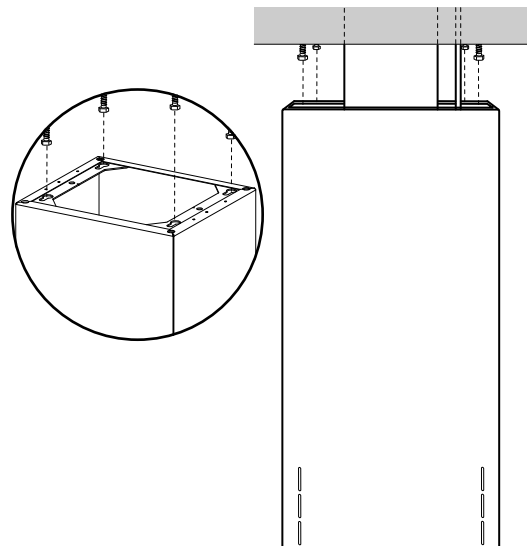
- | |
|------------------------|
| A. 7" (17.8 cm) |
| B. 1 1/2" (3.8 cm) |
| C. 5/8" (1.5 cm) |
| D. Air deflector |
| E. Electrical box |
| F. Front of range hood |

Use flexible wiring. Crosshatch is the open area available for wiring access in the ceiling within the upper chimney area.

5. Run the home power supply cable according to the National Electrical Code or CSA Standards and local codes and ordinances. There must be enough flexible wiring from the fused disconnect (or circuit breaker) box to make the connection in the hood's electrical terminal box.
NOTE: Do not reconnect power until installation is complete.
6. Use caulk to seal all openings.

Install Range Hood

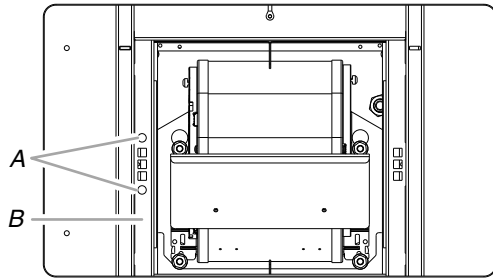
1. Slip the upper chimney cover over the assembled vent duct and electrical outlet and slide it to the ceiling. Align the large end of the keyhole slots in the top of the upper chimney cover up over the nuts and then slide it into the smaller slot section on the keyhole slots.



2. Using the ½" (13 mm) special tool (supplied) or a ½" (13 mm) socket and driver with 24" of extensions, tighten the nuts to fasten the upper chimney cover section to the ceiling.

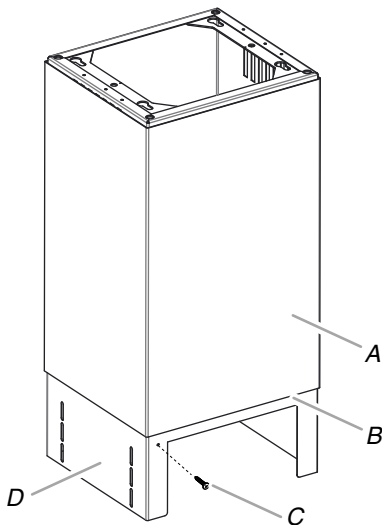
3. Locate and remove the (2) 4 x 13 mm service screws inside the range hood blower housing.

NOTE: These are used to hold the lower chimney cover up while assembling the range hood canopy to the upper chimney cover.

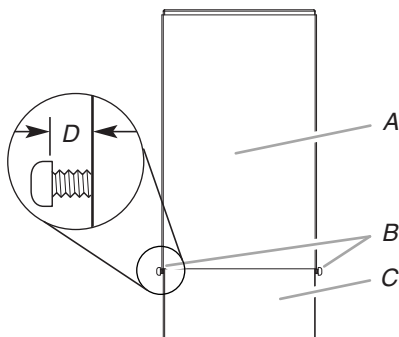


A. 4 x 13 mm service screws (2)
B. Inside area of range hood blower housing

4. Slide the lower chimney cover up over the upper chimney cover until its bottom edge is above the holes on the upper chimney cover front and back. While holding the lower chimney cover, install the 4 x 13 mm service screws in each side of the upper chimney cover. Leave approximately 1/8" (3 mm) between the head of the screw and the upper chimney cover. Lower the lower chimney cover to rest on the top of the screws. These screws will hold the lower chimney cover up while assembling the range hood canopy to the upper chimney cover.

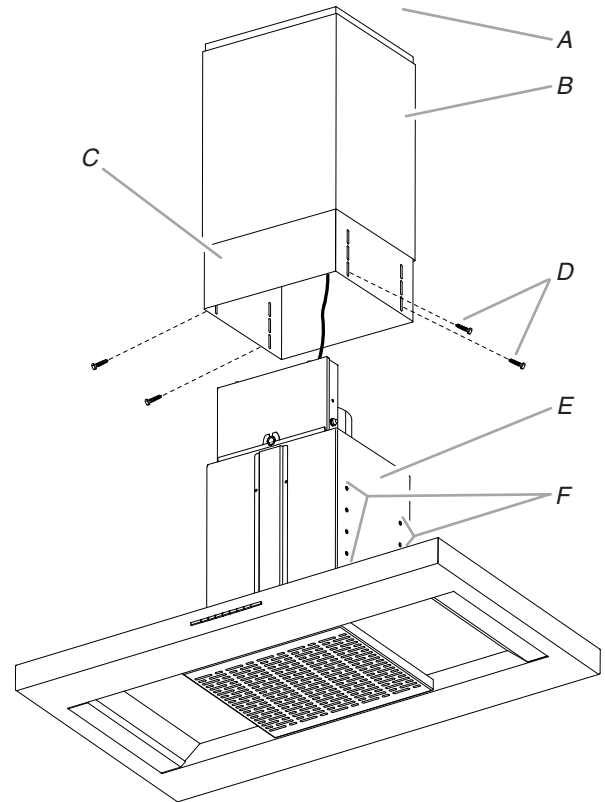


A. Lower chimney cover (front)
B. Bottom edge of lower chimney cover
C. 4 x 13 mm screws
D. Upper chimney cover



A. Lower chimney cover
B. 4 x 13 mm screws
C. Upper chimney cover
D. 1/8" (3.2 mm)

5. Move the range hood to its mounting location and connect the power supply. See the "Make Electrical Connections" section.
6. Lift the range hood canopy into the approximate recommended height for the cooktop type and install a minimum of (4) 5 x 12 mm screws (D) (2 each side) through the slots in the upper chimney cover and into the mounted threaded fasteners (F) of the range hood canopy.



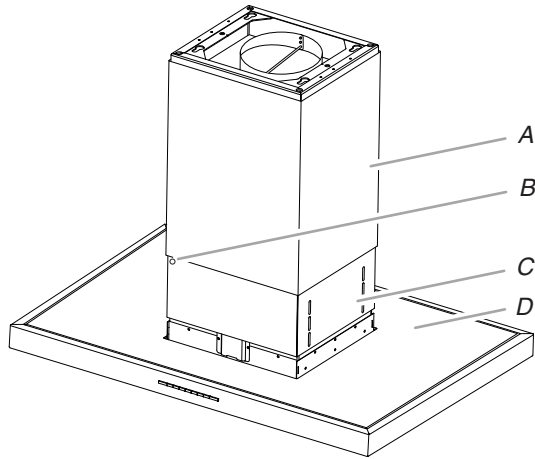
A. Ceiling
B. Lower chimney cover
C. Upper chimney cover
D. Mounting screws (4)
E. Range hood canopy assembly
F. Range hood canopy mounted thread fasteners

7. Adjust the range hood to the desired height. Level the range hood and tighten the screws using a T20® Torx® bit. See "Installation Dimensions" in the "Location Requirements" section.

NOTE: Final height must be between the recommended minimum and maximum dimension. The mounted threaded fasteners (F) are for height adjustments during installation for approved minimum and maximum distance between the bottom of the range hood and the top of the cooking surface.

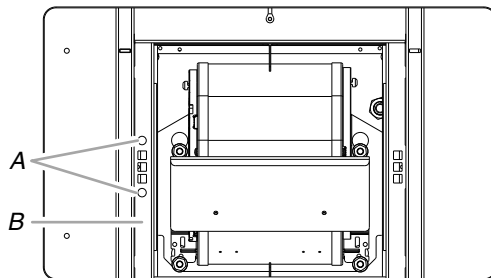
8. Reach inside the range hood cavity and grasp the handle of the mounting boss. Pull down to align nuts through cutout holes in the module top cover. Push back into half-slots to assemble. Tighten (4) nuts using the 1/2" (13 mm) special tool or 1/2" socket and driver with extension.

- Push up and hold the lower chimney cover, and remove the (2) 4 x 13 mm screws. Slide the lower chimney cover down onto the top of the range hood canopy.



A. Lower chimney cover
 B. 4 x 13 mm screw (2)
 C. Upper chimney cover
 D. Range hood canopy assembly

- Replace (2) 4 x 13 mm service screws into storage area inside range hood blower housing.



A. 4 x 13 mm service screws (2)
 B. Inside area of range hood blower housing

- Go to "Complete Installation" section.

Make Electrical Connection

⚠ WARNING

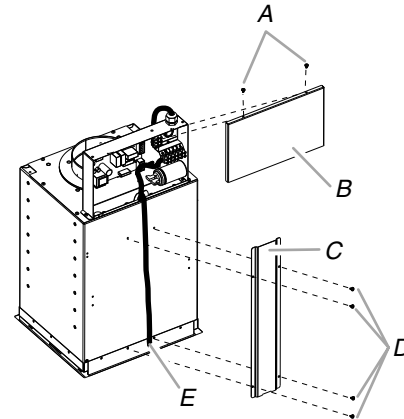


Electrical Shock Hazard

Disconnect power before servicing.
Replace all parts and panels before operating.
Failure to do so can result in death or electrical shock.

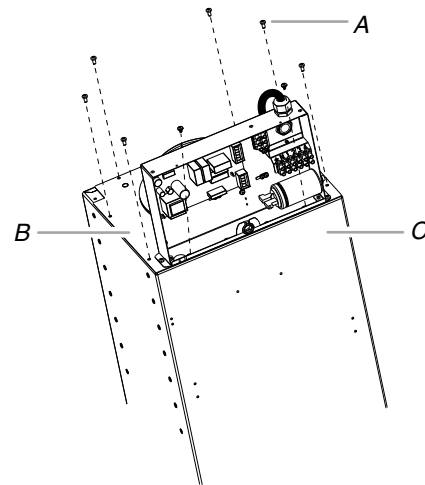
- Disconnect power.
- Remove the (2) screws from the top of the electrical box cover and set the screws and cover aside.

- Using a T20® Torx® driver, remove the (4) screws from the wire protector race panel and set the part and screws aside. Do not damage the wiring.



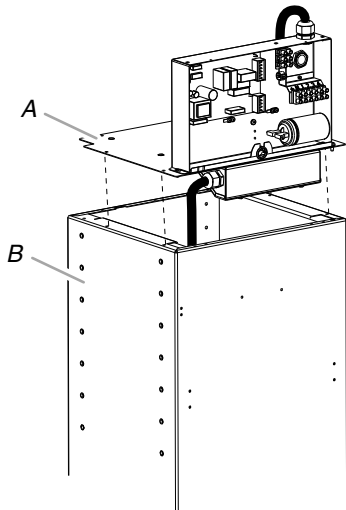
A. Electrical box cover
 B. Screws - electrical box cover (2)
 C. Wire protector race
 D. Screws - wire protector race (4)
 E. Electrical wiring

- Using a T20® Torx® driver, remove the (2) screws inside the electrical box holding the module plate and the (6) other screws around the perimeter of the module plate.



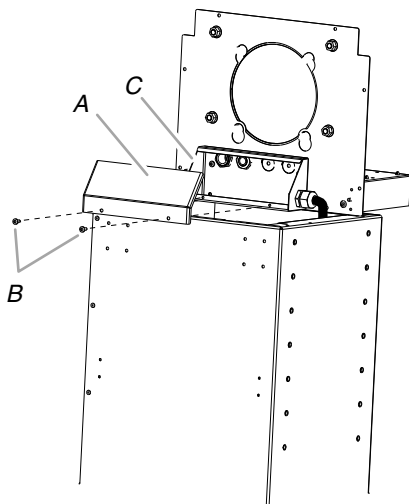
A. Screws - module top assembly (8)
 B. Module plate assembly
 C. Range hood module

- Lift module plate assembly from top of range hood module and position it to rest on top of the module.



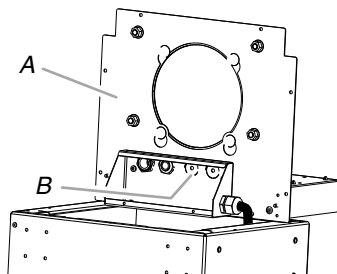
A. Module plate assembly
B. Range hood module

- Using a T20® Torx® driver, remove (2) screws from the electrical connection box on the bottom of the module plate assembly.



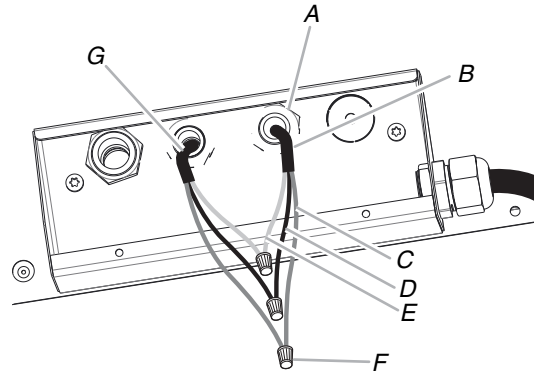
A. Electrical connection box cover
B. Screws (2)
C. Electrical connection box

- Remove knockout labeled “Elec IN” from the module top plate, and install UL listed or CSA approved strain relief.



A. Bottom of module top plate
B. Elec IN knockout

- Run the flexible 3 wire home power supply cable from the ceiling through the strain relief and into the electrical connection box.



A. UL listed or CSA approved strain relief
B. 3-wire flexible home power supply cable
C. Green, bare or yellow/green wires
D. Black wires
E. White wires
F. UL listed wire connectors (3)
G. 3-wire flexible power cable from electrical box

- Use UL listed wire connectors and connect the black wires together.
- Use UL listed wire connectors and connect the white wires together.

⚠ WARNING



Electrical Shock Hazard

Electrically ground blower.

Connect ground wire to green and yellow ground wire in terminal box.

Failure to do so can result in death or electrical shock.

- Connect the green (or bare) ground wire from the home power supply cable to the green (or green/yellow) ground wire in the electrical box using a UL listed wire connector.
- Tighten strain relief to secure the home power supply cable.
- Reassemble the electrical connection box cover on the bottom of the module plate assembly.
- Reassemble the module plate assembly to the top of the range hood module and tighten the (8) assembly screws.
- Reassemble the electrical box cover and wire race to the front of the range hood module.

Complete Installation

Reinstall Motor:

1. Place the motor into the blower module housing positioning it with the large keyholes in motor mounting plate towards the back of the canopy.
2. Grasping the motor plate, push the motor up into the blower module housing. Locate the large keyholes over the motor mounting nuts, push up against the module top cover and pull the motor forward to lock into the small keyholes slots.
3. Use the special 1/2" (13 mm) tool and tighten the (4) nuts to secure the motor.
4. Reconnect 9 pin connector from motor to electrical power.
5. Reconnect power.

Complete Installation:

1. For non-vented (recirculating) installations only, install the charcoal filters over the metal mesh filter. See the "Range Hood Care" section.
2. Install metal filters. See the "Range Hood Care" section.
3. Check the operation of the range hood blower and light. See the "Range Hood Use" section.

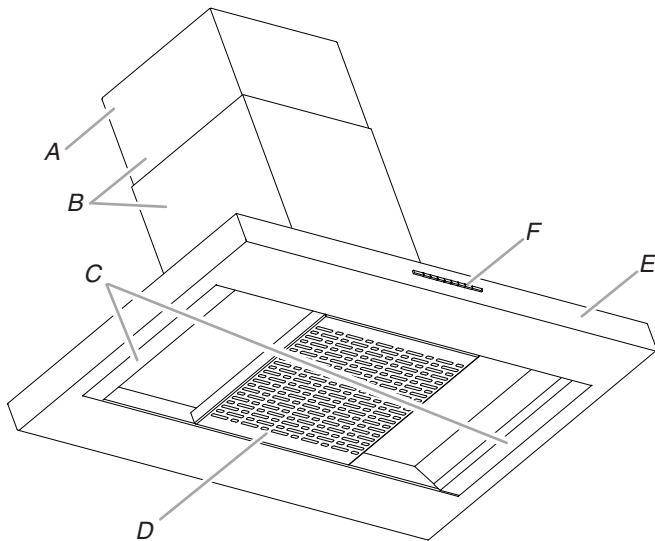
If range hood does not operate, check to see whether a circuit breaker has tripped or a household fuse has blown.

NOTE: To get the most efficient use from your new range hood, read the "Range Hood Use" section.

RANGE HOOD USE

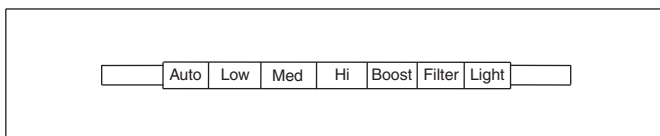
The range hood is designed to remove smoke, cooking vapors and odors from the cooktop area. For best results, start the hood before cooking and allow it to operate several minutes after the cooking is complete to clear all smoke and odors from the kitchen.

The range hood controls are located on the front of the canopy.



- | | |
|---|------------------|
| A. Louver holes (non-vented [recirculating] installations only) | D. Filter door |
| B. Chimney covers | E. Canopy |
| C. Lamps | F. Control panel |

Control Panel



Controls and Features

NOTES:

- To activate the controls, press and release the desired button.
- The control feature button will be lit when a control feature is turned On.

Sleep Mode

The range hood automatically enters Sleep Mode when not in use. After 10 minutes of no range hood activity, all of the control button lights will turn Off. To deactivate Sleep Mode, press any button.

Auto Sense

Auto Sense allows the range hood fan to turn on automatically when it senses heat higher than its allowable temperature limit. When Auto Sense is On, the fan speed will increase or decrease based on the temperature Auto Sense is measuring.

Auto Sense can be manually increased by pressing a higher fan speed. The fan will run at the selected speed for 10 minutes before returning to the speed selected for Auto Sense.

If Auto Sense is On, the Auto button light will turn Off and go into Sleep Mode when the vent hood is not in use. If the vent hood is turned On by the consumer or by Auto Sense, the Auto button light will turn On.

To set Auto Sense:

Press AUTO.

To Select Auto Sense Cooktop Type:

NOTE: The range hood is factory-set for the gas cooktop mode.

Press and hold AUTO for 5 seconds to switch between the gas cooktop and electric cooktop modes.

The Auto button light will flash 5 times when the range hood is changed to the electric cooktop mode. Auto Sense is now set to work with electric cooktops and ranges.

The Auto button light will flash 3 times when the range hood is changed to the gas cooktop mode. Auto Sense is now set to work with gas cooktops and ranges.

Changing the cooktop type will change the temperature limit for Auto Sense to turn On. When the range hood senses a high enough temperature, the fan will start automatically. When the temperature drops below the set temperature limit, the fan will stop automatically. The Auto button light will turn Off after the range hood enters Sleep Mode, but Auto Sense is still active.

To Deactivate Auto Sense:

If the Auto button is lit, press AUTO once to deactivate Auto Sense. The Auto button light will turn Off.

If Auto Sense is in Sleep Mode, press AUTO once to deactivate Sleep Mode and turn the Auto button light On. Press AUTO again to deactivate Auto Sense and turn Off the Auto button light.

Auto Sense will automatically turn off after 2 hours of no activation of the Auto Sense system. To reset Auto Sense, press AUTO.

Manual Vent Functions

Fan Speeds

- | | |
|--------------|--|
| Low | Press LOW to turn the fan on at Low speed. |
| Med | Press MED to turn the fan on at Medium speed. |
| Hi | Press HI to turn the fan on at High speed. |
| Boost | Press BOOST to turn the fan on at the highest speed. Boost will automatically turn Off after 10 minutes and the fan will switch to High speed. |

Timer

The range hood can be set to automatically turn off after 15 minutes.

1. Press and hold the desired fan speed button for 2 seconds. The fan will run on the chosen speed for 15 minutes and the fan speed button light will flash continuously. After 15 minutes, the fan will turn Off automatically.
2. Press the desired fan speed button again while the fan timer is running to cancel the fan timer.

NOTE: Changing the fan speed or turning Auto Sense On will also cancel the 15-minute timer.

Filter

The Filter button lights up when it is time to replace or clean the filter. The button will be lit only when the fan is On. Press FILTER after replacing the filter to turn the Filter button light Off. See the "Cleaning" section for how to replace or clean the filter.

Light

Press LIGHT to turn the range hood lights On and Off.

RANGE HOOD CARE

Cleaning

IMPORTANT: Clean the hood and grease filters frequently according to the following instructions. Replace grease filters before operating hood.

Exterior Surfaces:

To avoid damage to the exterior surface, do not use steel wool or soap-filled scouring pads.

Always wipe dry to avoid water marks.

Cleaning Method:

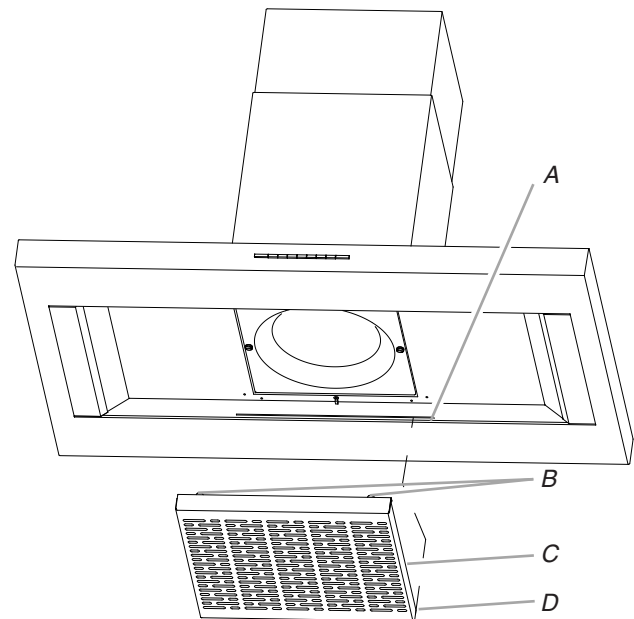
- Liquid detergent soap and water, or all-purpose cleanser
- Wipe with damp soft cloth or nonabrasive sponge, then rinse with clean water and wipe dry.

Metal Grease Filters

The filter should be washed frequently. Place the metal filter in the dishwasher or hot detergent solution to clean.

Let the filter dry thoroughly before replacing it.

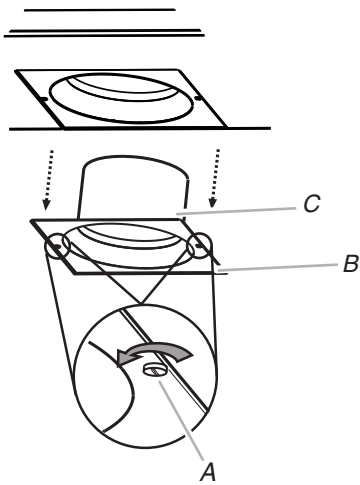
NOTE: The metal grease filter is located behind the center metal filter cover. The panel is magnetically secured along the front and has a tab along the back to hold the filter cover in place. To access the grease filter, grasp the panel on the front corners and pull down. This releases the panel from the magnets and allows the panel to swing down. Pull the alignment tab on the filter cover out of the alignment slot on the range to remove.



- A. Slot for filter cover alignment
- B. Filter cover magnets
- C. Filter cover
- D. Tab on filter cover for alignment

To Remove Metal Grease Filters:

1. Turn off fan and lights.
2. Remove the filter holder frame and grease filter using a flat-blade screwdriver to turn the grease filter release screws 90° counterclockwise.



A. Grease filter release screw
B. Filter holder frame
C. Grease filter

To Replace Metal Grease Filter:

Replace grease filter and filter holder frame into range hood. Align the grease filter release screw and use a flat-blade screwdriver to turn the grease filter release screws 90° clockwise to lock in place.

Charcoal Filters - For Non-Vented (recirculating) Installations

NOTE: After approximately 3 years of use the charcoal filter should be replaced. To order a replacement Charcoal Filter Kit, see the "Assistance or Service" section.

The charcoal filters can be cleaned and reactivated. Clean the filter in the dishwasher using normal detergent and choosing the highest temperature setting.

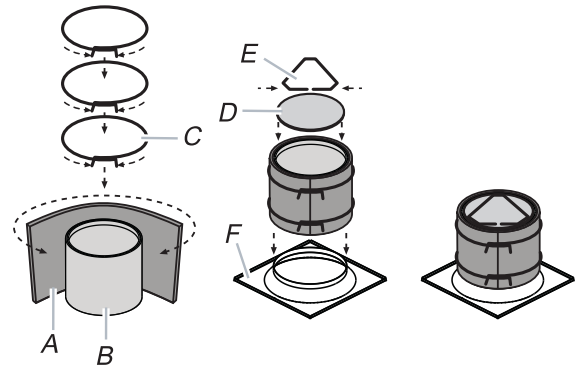
To reactivate the filter, the filter should be dried in an oven for 10 minutes with a maximum temperature of 210°F (100°C).

To Remove Charcoal Filters:

1. Turn fan and lights off.
2. Remove the metal grease filters. See "Metal Grease Filters" section.
3. Remove the upper and side lock springs.
4. Clean or discard the charcoal filter.

To Replace Charcoal Filters:

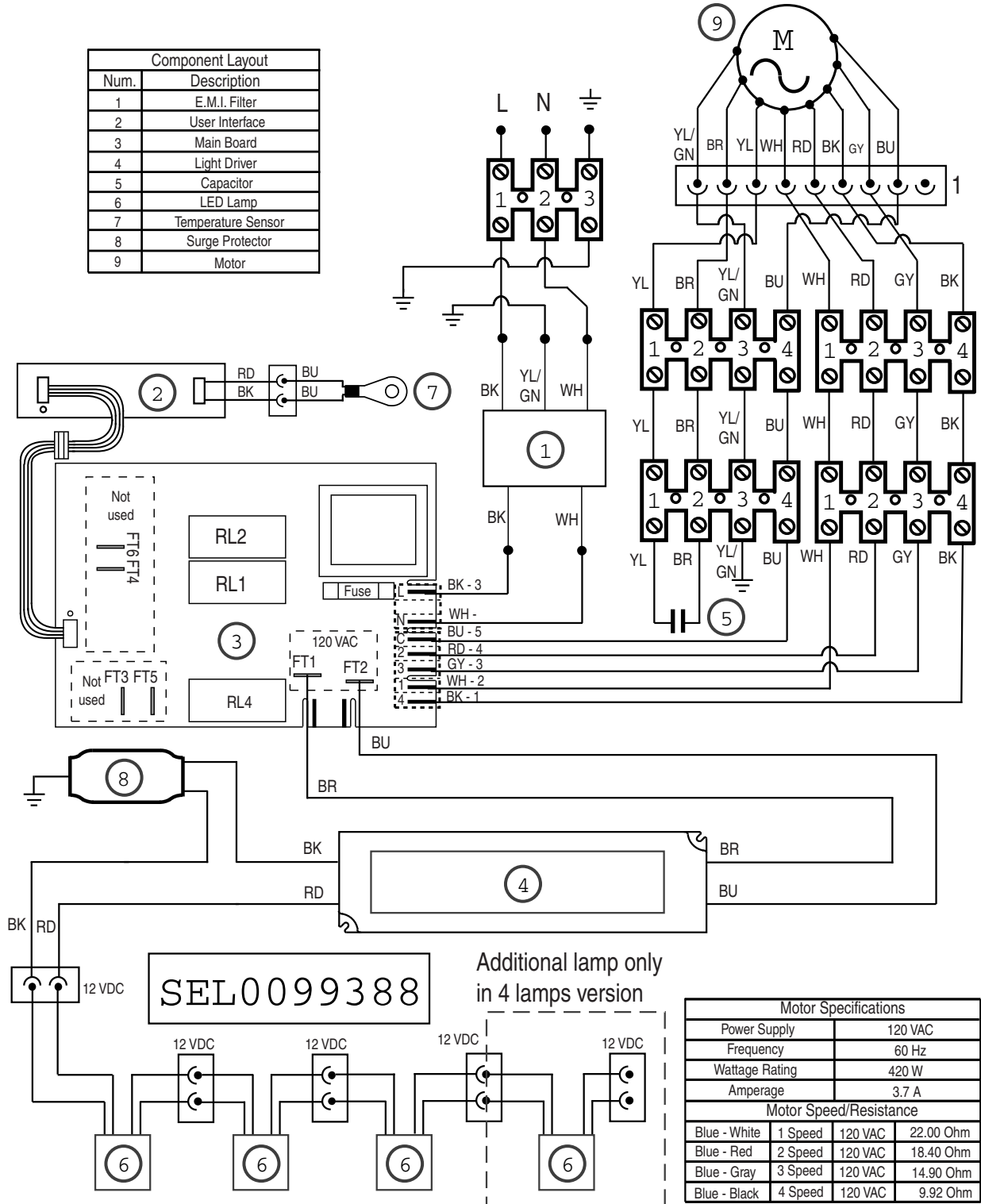
1. For non-vented (recirculating installations) install charcoal filter, wrapping it around the grease filter.
2. Place the charcoal filter mat around the grease filter and fix it in place by using the cap lock springs provided.
3. Position the upper cap and fix it in place using the cap lock spring provided.



A. Charcoal filter mat
B. Grease filter
C. Charcoal filter side lock springs
D. Upper cap
E. Cap lock spring
F. Grease filter support

WIRING DIAGRAM

Component Layout	
Num.	Description
1	E.M.I. Filter
2	User Interface
3	Main Board
4	Light Driver
5	Capacitor
6	LED Lamp
7	Temperature Sensor
8	Surge Protector
9	Motor



Motor Specifications			
Power Supply		120 VAC	
Frequency		60 Hz	
Wattage Rating		420 W	
Amperage		3.7 A	
Motor Speed/Resistance			
Blue - White	1 Speed	120 VAC	22.00 Ohm
Blue - Red	2 Speed	120 VAC	18.40 Ohm
Blue - Gray	3 Speed	120 VAC	14.90 Ohm
Blue - Black	4 Speed	120 VAC	9.92 Ohm

ASSISTANCE OR SERVICE

If you need service:

Please refer to the warranty page in this manual.

If you need replacement parts:

If you need to order replacement parts, we recommend that you use only factory specified parts. Factory specified parts will fit right and work right because they are made with the same precision used to build every new appliance.

To locate factory specified replacement parts in your area, call the following customer assistance telephone number or your nearest designated service center.

In the U.S.A.

Call Jenn-Air Customer eXperience Center toll free: **1-800-JENNAIR (1-800-536-6247)** or visit our website at **www.jennair.com**.

Our consultants provide assistance with:

- Scheduling of service. Jenn-Air® appliances designated service technicians are trained to fulfill the product warranty and provide after-warranty service anywhere in the United States.
- Features and specifications on our full line of appliances.
- Referrals to local Jenn-Air® appliance dealers.
- Installation information.
- Use and maintenance procedures.
- Accessory and repair parts sales.
- Specialized customer assistance (Spanish speaking, hearing impaired, limited vision, etc.).

For further assistance:

If you need further assistance, you can write to Jenn-Air® Appliances with any questions or concerns at:

Jenn-Air Brand Home Appliances
Customer eXperience Center
553 Benson Road
Benton Harbor, MI 49022-2692

Please include a daytime phone number in your correspondence.

In Canada

Call the Whirlpool Canada LP Customer eXperience Centre toll free at **1-800-JENNAIR (1-800-536-6247)** or visit our website at **www.jennair.ca**.

Our consultants provide assistance with:

- Scheduling of service. Jenn-Air® appliances designated service technicians are trained to fulfill the product warranty and provide after-warranty service anywhere in Canada.
- Features and specifications on our full line of appliances.
- Referrals to local Jenn-Air® appliance dealers.
- Installation information.
- Use and maintenance procedures.
- Accessory and repair parts sales.

For further assistance:

If you need further assistance, you can write to Jenn-Air® Appliances with any questions or concerns at:

Jenn-Air Brand Home Appliances
Customer eXperience Centre
200 - 6750 Century Ave.
Mississauga, Ontario L5N 0B7

Please include a daytime phone number in your correspondence.

Accessories

Charcoal Filter Kit

(for non-vented installations only)
Order Part Number W10272069

Chimney Kit Recirculation

(for 7' 9" [2.36 m] to 9' 8" [2.95 m] ceilings)
(for non-vented installations only)
Order Part Number W10646865

Chimney Extension Kit - (vented)

(for 10' 2" [3.1 m] to 12' [3.66 m] ceilings)
Order Part Number W10646863

Chimney Extension Kit - (vented)

(for 9' 1" [2.77 m] to 11' [3.35 m] ceilings)
Order Part Number W10685946

Chimney Extension Kit - (recirculating)

(for 10' 2" [3.1 m] to 12' [3.66 m] ceilings)
(for non-vented installations)
Order Part Number W10685947

Chimney Extension Kit - (recirculating)

(for 9' 1" [2.77 m] to 11' [3.35 m] ceilings)
(for non-vented installations)
Order Part Number W10646866

6" (15.2 cm) Makeup Air Kit

(consult local building codes)
Order Part Number W10446915

Vent Duct Adapter 6" to 8" (15.2 cm to 20.3 cm)

(for 8" [20.3 cm] duct installations)
Order Part Number W10685950

JENN-AIR® MAJOR APPLIANCE LIMITED WARRANTY

ATTACH YOUR RECEIPT HERE. PROOF OF PURCHASE IS REQUIRED TO OBTAIN WARRANTY SERVICE.

Please have the following information available when you call the Customer eXperience Center:

- Name, address and telephone number
- Model number and serial number
- A clear, detailed description of the problem
- Proof of purchase including dealer or retailer name and address

IF YOU NEED SERVICE:

1. Before contacting us to arrange service, please determine whether your product requires repair. Some questions can be addressed without service. Please take a few minutes to review the Troubleshooting or Problem Solver section of the Use and Care Guide, scan the QR code on the right to access additional resources, or visit <https://jennair.custhelp.com>.
2. All warranty service is provided exclusively by our authorized Jenn-Air Service Providers. In the U.S. and Canada, direct all requests for warranty service to:

Jenn-Air Customer eXperience Center
1-800-JENNAIR (1-800-536-6247)



<https://jennair.custhelp.com>

If outside the 50 United States or Canada, contact your authorized Jenn-Air dealer to determine whether another warranty applies.

TWO YEAR LIMITED WARRANTY

WHAT IS COVERED

For two years from the date of purchase, when this major appliance is installed, operated and maintained according to instructions attached to or furnished with the product, Jenn-Air brand of Whirlpool Corporation or Whirlpool Canada LP (hereafter "Jenn-Air") will pay for Factory Specified Replacement Parts and repair labor to correct defects in materials or workmanship that existed when this major appliance was purchased, or at its sole discretion replace the product. In the event of product replacement, your appliance will be warranted for the remaining term of the original unit's warranty period.

YOUR SOLE AND EXCLUSIVE REMEDY UNDER THIS LIMITED WARRANTY SHALL BE PRODUCT REPAIR AS PROVIDED HEREIN. Service must be provided by a Jenn-Air designated service company. This limited warranty is valid only in the United States or Canada and applies only when the major appliance is used in the country in which it was purchased. This limited warranty is effective from the date of original consumer purchase. Proof of original purchase date is required to obtain service under this limited warranty.

WHAT IS NOT COVERED

1. Commercial, non-residential, multiple-family use, or use inconsistent with published user, operator or installation instructions.
2. In-home instruction on how to use your product.
3. Service to correct improper product maintenance or installation, installation not in accordance with electrical or plumbing codes or correction of household electrical or plumbing (i.e. house wiring, fuses or water inlet hoses).
4. Consumable parts (i.e. light bulbs, batteries, air or water filters, preservation solutions, etc.).
5. Defects or damage caused by the use of non-genuine Jenn-Air parts or accessories.
6. Conversion of products from natural gas or L.P. gas.
7. Damage from accident, misuse, abuse, fire, floods, acts of God or use with products not approved by Jenn-Air.
8. Repairs to parts or systems to correct product damage or defects caused by unauthorized service, alteration or modification of the appliance.
9. Cosmetic damage including scratches, dents, chips, and other damage to the appliance finishes unless such damage results from defects in materials and workmanship and is reported to Jenn-Air within 30 days.
10. Discoloration, rust or oxidation of surfaces resulting from caustic or corrosive environments including but not limited to high salt concentrations, high moisture or humidity or exposure to chemicals.
11. Food or medicine loss due to product failure.
12. Pick-up or delivery. This product is intended for in-home repair.
13. Travel or transportation expenses for service in remote locations where an authorized Jenn-Air servicer is not available.
14. Removal or reinstallation of inaccessible appliances or built-in fixtures (i.e. trim, decorative panels, flooring, cabinetry, islands, countertops, drywall, etc.) that interfere with servicing, removal or replacement of the product.
15. Service or parts for appliances with original model/serial numbers removed, altered or not easily determined.

The cost of repair or replacement under these excluded circumstances shall be borne by the customer.

DISCLAIMER OF IMPLIED WARRANTIES

IMPLIED WARRANTIES, INCLUDING ANY IMPLIED WARRANTY OF MERCHANTABILITY OR IMPLIED WARRANTY OF FITNESS FOR A PARTICULAR PURPOSE, ARE LIMITED TO ONE YEAR OR THE SHORTEST PERIOD ALLOWED BY LAW. Some states and provinces do not allow limitations on the duration of implied warranties of merchantability or fitness, so this limitation may not apply to you. This warranty gives you specific legal rights, and you also may have other rights that vary from state to state or province to province.

DISCLAIMER OF REPRESENTATIONS OUTSIDE OF WARRANTY

Jenn-Air makes no representations about the quality, durability, or need for service or repair of this major appliance other than the representations contained in this warranty. If you want a longer or more comprehensive warranty than the limited warranty that comes with this major appliance, you should ask Jenn-Air or your retailer about buying an extended warranty.

LIMITATION OF REMEDIES; EXCLUSION OF INCIDENTAL AND CONSEQUENTIAL DAMAGES

YOUR SOLE AND EXCLUSIVE REMEDY UNDER THIS LIMITED WARRANTY SHALL BE PRODUCT REPAIR AS PROVIDED HEREIN. JENN-AIR SHALL NOT BE LIABLE FOR INCIDENTAL OR CONSEQUENTIAL DAMAGES. Some states and provinces do not allow the exclusion or limitation of incidental or consequential damages, so these limitations and exclusions may not apply to you. This warranty gives you specific legal rights, and you also may have other rights that vary from state to state or province to province.

SÉCURITÉ DE LA HOTTE DE CUISINIÈRE

Votre sécurité et celle des autres est très importante.

Nous donnons de nombreux messages de sécurité importants dans ce manuel et sur votre appareil ménager. Assurez-vous de toujours lire tous les messages de sécurité et de vous y conformer.



Voici le symbole d'alerte de sécurité.

Ce symbole d'alerte de sécurité vous signale les dangers potentiels de décès et de blessures graves à vous et à d'autres.

Tous les messages de sécurité suivront le symbole d'alerte de sécurité et le mot "DANGER" ou "AVERTISSEMENT". Ces mots signifient :

⚠ DANGER

Risque possible de décès ou de blessure grave si vous ne suivez pas immédiatement les instructions.

⚠ AVERTISSEMENT

Risque possible de décès ou de blessure grave si vous ne suivez pas les instructions.

Tous les messages de sécurité vous diront quel est le danger potentiel et vous disent comment réduire le risque de blessure et ce qui peut se produire en cas de non-respect des instructions.

Avertissements de la proposition 65 de l'État de Californie :

AVERTISSEMENT : Ce produit contient au moins un produit chimique connu par l'État de Californie pour être à l'origine de cancers.

AVERTISSEMENT : Ce produit contient au moins un produit chimique connu par l'État de Californie pour être à l'origine de malformations et autres déficiences de naissance.

IMPORTANTES INSTRUCTIONS DE SÉCURITÉ

AVERTISSEMENT : POUR RÉDUIRE LE RISQUE D'INCENDIE, CHOC ÉLECTRIQUE OU DOMMAGES CORPORELS, RESPECTER LES INSTRUCTIONS SUIVANTES :

- Utiliser cet appareil uniquement dans les applications envisagées par le fabricant. Pour toute question, contacter le fabricant.
- Avant d'entreprendre un travail d'entretien ou de nettoyage, interrompre l'alimentation de la hotte au niveau du tableau de disjoncteurs, et verrouiller le tableau de disjoncteurs pour empêcher tout rétablissement accidentel de l'alimentation du circuit. Lorsqu'il n'est pas possible de verrouiller le tableau de disjoncteurs, placer sur le tableau de disjoncteurs une étiquette d'avertissement proéminente interdisant le rétablissement de l'alimentation.
- Tout travail d'installation ou câblage électrique doit être réalisé par une personne qualifiée, dans le respect des prescriptions de tous les codes et normes applicables, y compris les codes du bâtiment et de protection contre les incendies.
- Ne pas faire fonctionner un ventilateur dont le cordon ou la fiche est endommagé(e). Jeter le ventilateur ou le retourner à un centre de service agréé pour examen et/ou réparation.
- Une source d'air de débit suffisant est nécessaire pour le fonctionnement correct de tout appareil à gaz (combustion et évacuation des gaz à combustion par la cheminée), pour qu'il n'y ait pas de reflux des gaz de combustion. Respecter les directives du fabricant de l'équipement de chauffage et les prescriptions des normes de sécurité - comme celles publiées par la National Fire Protection Association (NFPA) et l'American Society for Heating, Refrigeration and Air Conditioning Engineers (ASHRAE), et les prescriptions des autorités réglementaires locales.
- Lors des opérations de découpage et de perçage dans un mur ou un plafond, ne pas endommager les câblages électriques et les canalisations qui peuvent s'y trouver.
- Les ventilateurs d'évacuation doivent toujours décharger l'air à l'extérieur.

MISE EN GARDE : Cet appareil est conçu uniquement pour la ventilation générale. Ne pas l'utiliser pour l'extraction de matières ou vapeurs dangereuses ou explosives.

MISE EN GARDE : Pour minimiser le risque d'incendie et évacuer adéquatement les gaz, veiller à acheminer l'air aspiré par un conduit jusqu'à l'extérieur - ne pas décharger l'air aspiré dans un espace vide du bâtiment comme une cavité murale, un plafond, un grenier, un vide sanitaire ou un garage.

AVERTISSEMENT : POUR RÉDUIRE LE RISQUE D'INCENDIE, UTILISER UNIQUEMENT DES CONDUITS MÉTALLIQUES.

AVERTISSEMENT : POUR MINIMISER LE RISQUE D'UN FEU DE GRAISSE SUR LA CUISINIÈRE :

- Ne jamais laisser un élément de surface fonctionner à puissance de chauffage maximale sans surveillance. Un renversement/débordement de matière grasseuse pourrait provoquer une inflammation et la génération de fumée. Utiliser une puissance de chauffage moyenne ou basse pour le chauffage d'huile.
- Veiller à toujours faire fonctionner le ventilateur de la hotte lors de la cuisson avec une puissance de chauffage élevée ou lors de la cuisson d'un mets à flamber (à savoir crêpes Suzette, cerise jubilé, steak au poivre flambé).
- Nettoyer fréquemment les ventilateurs d'extraction. Veiller à ne pas laisser la graisse s'accumuler sur les surfaces du ventilateur ou des filtres.
- Utiliser toujours un ustensile de taille appropriée. Utiliser toujours un ustensile adapté à la taille de l'élément chauffant.

AVERTISSEMENT : POUR RÉDUIRE LE RISQUE DE DOMMAGES CORPORELS APRÈS LE DÉCLENCHEMENT D'UN FEU DE GRAISSE SUR LA CUISINIÈRE, APPLIQUER LES RECOMMANDATIONS SUIVANTES :^a

- Placer sur le récipient un couvercle bien ajusté, une tôle à biscuits ou un plateau métallique POUR ÉTOUFFER LES FLAMMES, puis éteindre le brûleur. VEILLER À ÉVITER LES BRÛLURES. Si les flammes ne s'éteignent pas immédiatement, ÉVACUER LA PIÈCE ET APPELER LES POMPIERS.
- NE JAMAIS PRENDRE EN MAIN UN RÉCIPENT ENFLAMMÉ - vous risquez de vous brûler.
- NE PAS UTILISER D'EAU, ni un torchon humide - ceci pourrait provoquer une explosion de vapeur brûlante.
- Utiliser un extincteur SEULEMENT si :
 - Il s'agit d'un extincteur de classe ABC, dont on connaît le fonctionnement.
 - Il s'agit d'un petit feu encore limité à l'endroit où il s'est déclaré.
 - Les pompiers ont été contactés.
 - Il est possible de garder le dos orienté vers une sortie pendant l'opération de lutte contre le feu.

^aRecommandations tirées des conseils de sécurité en cas d'incendie de cuisine publiés par la NFPA.

- **AVERTISSEMENT :** Pour réduire le risque d'incendie ou de choc électrique, ne pas utiliser ce ventilateur avec un quelconque dispositif de réglage de la vitesse à semi-conducteurs.

LIRE ET CONSERVER CES INSTRUCTIONS

EXIGENCES D'INSTALLATION

Outils et pièces

Rassembler les outils et composants nécessaires avant d'entreprendre l'installation. Lire et observer les instructions fournies avec chacun des outils de la liste ci-dessous.

Outils nécessaires :

- Niveau
- Perceuse avec forets de 1¼" (3 cm), ½" (12,7 mm) et ⅜" (5,0 mm)
- Crayon
- Mètre-ruban ou règle
- Pince
- Pistolet à calfeutrage et composé de calfeutrage résistant aux intempéries
- Brides de conduit
- Scie sauteuse ou scie à guichet
- Tournevis à lame plate
- Cisaille de ferblantier
- Tournevis Phillips
- Clé à douille de ½" (13 mm) avec prolongateur de 24" (61 cm)
- Embout ou tournevis TORX®† T20®

Pièces nécessaires :

- Alimentation électrique du domicile
- Serre-câbles de ½" (12,7 mm) (homologation UL ou CSA)

Pour les installations avec décharge à l'extérieur, il vous faudra aussi :

- 1 bouche de décharge (décharge à travers le mur ou à travers le toit)
- Circuit d'évacuation métallique

Pour les installations sans décharge à l'extérieur (recyclage), il faudra aussi :

- Ensemble de recyclage pour cache-conduit, pour installations sans décharge à l'extérieur (recyclage) uniquement. Voir la section "Assistance ou service" pour commander.
- Ensemble de filtre à charbon, pièce numéro W10272069. Voir la section "Assistance ou service" pour commander.

Pièces fournies :

Retirer les pièces de leur emballage. Vérifier que toutes les pièces sont présentes.

- Auvent de hotte avec ventilateur et ampoules installés
- Conduit métallique flexible rond de 6" (15,2 cm) de diamètre et de 7" (17,8 cm) de long à bossage de montage/clapet (non déplié)
- Filtre - installé dans l'auvent
- (4) vis-boulons à table de 8 x 80 mm (embout TORX® T20®)
- (4) écrous hexagonaux de 8 mm x ½" (13 mm)

- (4) vis de montage de 5 x 13 mm (embout de tournevis T20® TORX®)
- Gabarit de montage
- Cache-conduit supérieur
- Cache-conduit inférieur
- Clé à écrou spéciale de ½" (13 mm)
- Bride pour conduit de diamètre 6" (15,2 cm)
- (2) vis de 3,5 x 9,5 mm utilisées pour soutenir la partie inférieure de la cheminée (située à l'intérieur de la hotte derrière les filtres).

Exigences d'emplacement

IMPORTANT : Observer les dispositions de tous les codes et règlements en vigueur.

Confier l'installation de la hotte à un technicien qualifié. C'est à l'installateur qu'incombe la responsabilité de respecter les distances de séparation spécifiées sur la plaque signalétique de l'appareil. La plaque signalétique de l'appareil est située derrière le filtre de gauche, sur la paroi arrière de la hotte.

On doit toujours installer la hotte à distance des sources de courant d'air (fenêtres, portes et bouches de chauffage).

Respecter les dimensions indiquées pour les ouvertures à découper dans les placards. Ces dimensions tiennent compte des valeurs minimales des dégagements de séparation.

Il est recommandé d'utiliser cette hotte avec une table de cuisson dont la puissance totale ne dépasse pas 78 000 BTU.

On doit disposer d'une prise de courant électrique reliée à la terre. Voir la section "Spécifications électriques".

Du fait du poids et de la taille de cette hotte d'extraction en îlot, il faut que le support de cheminée soit solidement fixé au plafond.

- Le support de cheminée doit être fixé aux solives. Si ceci n'est pas possible, on doit construire une structure de support appropriée derrière le plafond en plâtre ou panneaux de gypse. La structure de support doit être capable de soutenir une charge de 100 lb (45,4 kg).

La hotte est configurée à l'usine pour la décharge à travers le toit ou un mur.

Pour une installation sans décharge à l'extérieur (recyclage), voir "Installations sans décharge à l'extérieur (recyclage)" à la section "Installation de la hotte de cuisinière". L'ensemble de recyclage pour cache-conduit et filtre à charbon (référence W10272069) est disponible chez votre marchand ou chez un distributeur de pièces autorisé. Voir la section "Assistance ou service" pour commander.

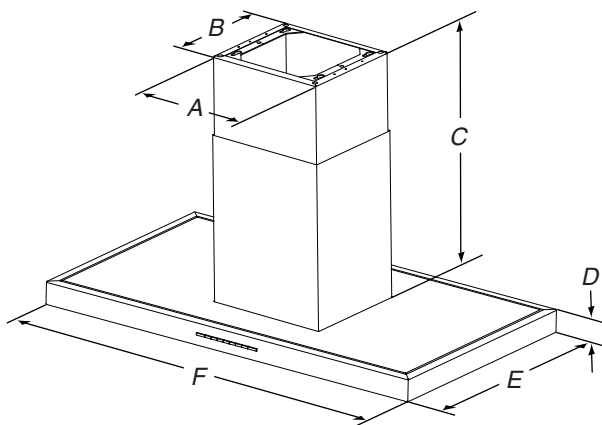
Assurer l'étanchéité au niveau de chaque ouverture découpée dans le plafond ou le mur pour l'installation de la hotte de cuisinière.

Installation dans une résidence mobile :

L'installation de cette hotte doit satisfaire aux exigences de la norme Manufactured Home Construction Safety Standards, Titre 24 CFR, partie 328 (anciennement Federal Standard for Mobile Home Construction and Safety, titre 24, HUD, partie 280); lorsque cette norme n'est pas applicable, l'installation doit satisfaire aux critères de la plus récente édition de la norme Manufactured Home Installation 1982 (Manufactured Home Sites, Communities and Setups) ANSI A225.1/NFPA 501A, ou des codes locaux.

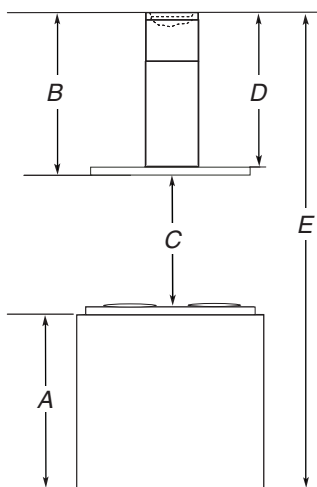
†T20 et TORX sont des marques déposées de Acument Intellectual Properties, LLC.

Dimensions du produit



A. 13" (33,0 cm)	D. 2 3/8" (6,0 cm)
B. 11 1/4" (28,6 cm)	E. 24" (61,0 cm)
C. 28" (71 cm) min. 45 1/4" (115 cm) max	F. 36" (91,4 cm) ou 42" (106,7 cm)

Distances de dégagement à respecter



- A. Hauteur du plan de travail
- B. Hauteur sous hotte entre le plafond et le bas de la hotte : $E - A - C = B$
- C. Hauteur de la hotte : 24" (61 cm) min. à partir de la surface de cuisson électrique, 30" (76,2 cm) min. à partir de la surface de cuisson au gaz; distance max. suggérée de 36" (91,2 cm)
- D. Hauteur de l'ensemble de la cheminée:
 $D = B - 2 3/8"$ (6 cm)
- E. Hauteur sous plafond

IMPORTANT :

Valeur minimale de la distance "C" : 24" (61,0 cm) à partir de la surface de cuisson électrique, 30" (76,2 cm) à partir des surfaces de cuisson au gaz. Valeur maximale suggérée pour la distance "C" : 36" (91,4 cm)

REMARQUE : Pour une performance optimale de la fonction Auto Sense (détection automatique), la hotte de cuisinière doit être installée à 24" (61 cm) d'une surface de cuisson électrique, et à 30" (76,2 cm) d'une surface de cuisson au gaz.

Les cheminées de hotte peuvent être ajustées en fonction de la hauteur disponible sous plafond. Voir le tableau ci-dessous.

Installations avec décharge à l'extérieur

	Hauteur sous plafond minimale	Hauteur sous plafond maximale
Surface de cuisson électrique	7' 6" (2,3 m)	10' (3,04 m)
Surface de cuisson au gaz	8' (2,45 m)	10' (3,04 m)

Installations sans décharge à l'extérieur (recyclage)

	Hauteur sous plafond minimale	Hauteur sous plafond maximale
Surface de cuisson électrique	7' 6" (2,3 m)	10' (3,04 m)
Surface de cuisson au gaz	8' (2,45 m)	10' (3,04 m)

***REMARQUE :** Les cache-conduits de hotte sont réglables; on peut les ajuster en fonction de la hauteur disponible sous plafond ou soffite, selon la distance "C" entre le bas de la hotte et la surface de cuisson. Pour des plafonds de hauteur supérieure (de 10' [3,05 m]), un ensemble d'extension de cache-conduit en acier inoxydable peut être acheté auprès de votre revendeur ou d'un distributeur de pièces autorisé. L'extension de cache-conduit remplace la section supérieure de cache-conduit fournie avec la hotte. Voir la section "Assistance ou service" pour commander.

Exigences concernant l'évacuation

- Le système d'évacuation doit décharger l'air à l'extérieur, excepté pour les installations sans décharge à l'extérieur (recyclage).
- Ne pas terminer le conduit d'évacuation dans un grenier ou dans un autre espace fermé.
- Ne pas utiliser une bouche de décharge murale de 4" (10,2 cm) normalement utilisée pour un équipement de buanderie.
- Utiliser un conduit métallique uniquement. Un conduit en métal rigide est recommandé. Ne pas utiliser de conduit de plastique ou de métal très mince.
- Le système d'évacuation doit comporter un clapet. Si la bouche de décharge murale ou par le toit comporte un clapet, ne pas utiliser le clapet fourni avec la hotte de cuisinière.

Pour un fonctionnement efficace et silencieux :

- Utiliser autant que possible des sections droites et minimiser le nombre de coudes.
- Ne pas utiliser plus de trois coudes à 90°.
- Veiller à ce qu'il y ait une section droite de conduit de 24" (61 cm) ou plus entre deux coudes, si on doit utiliser plus d'un raccord coudé.
- Ne pas installer 2 coudes ensemble.
- Au niveau de chaque jointure du conduit de décharge, assurer l'étanchéité avec les brides de serrage pour conduit.
- Autour de la bouche de décharge à l'extérieur par le toit ou par un mur, assurer l'étanchéité avec un produit de calfeutrage.
- La taille du conduit doit être uniforme.

Installations dans une région à climat froid :

Dans le circuit d'évacuation, on devrait installer un clapet anti-reflux additionnel pour minimiser le reflux d'air froid, ainsi qu'un élément d'isolation thermique pour minimiser le transfert de chaleur par conduction vers l'extérieur. Le clapet anti-reflux doit être placé du côté air froid par rapport à l'élément d'isolation thermique.

L'élément d'isolation thermique doit être aussi proche que possible de l'endroit où le système d'évacuation s'introduit dans la partie chauffée de la maison.

Air d'appoint :

Le code du bâtiment local peut exiger l'emploi d'un système de renouvellement de l'air/introduction d'air d'appoint, lors de l'utilisation d'un système d'aspiration de débit supérieur à une valeur (pieds cubes par minute) spécifiée. Le débit spécifié, en pieds cubes par minute, est variable d'une juridiction à une autre. Consulter un professionnel des installations de chauffage ventilation/climatisation au sujet des exigences spécifiques applicables dans la juridiction locale.

Méthodes d'évacuation

Cette hotte a été configurée à l'usine pour la décharge à travers le toit.

Un circuit d'évacuation en conduit rond de 6" (15,2 cm) est nécessaire pour l'installation (non fourni). La hotte comporte une ouverture de sortie de diamètre 6" (15,2 cm).

Un raccord d'adaptation de 6" à 8" (15,2 cm à 20,3 cm) est disponible pour les circuits d'évacuation de 8" (20,3 cm). Voir la section "Assistance ou service" pour commander.

La sortie à l'extérieur du circuit d'évacuation peut se faire à travers le toit ou à travers un mur. Pour la sortie à travers un mur, on doit employer un raccord coudé de 90°.

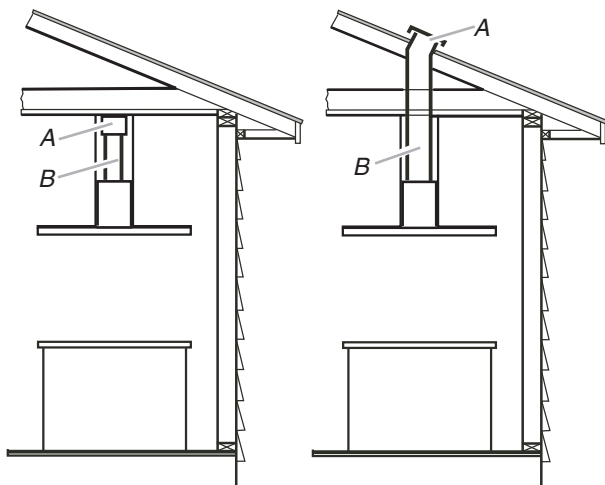
Installation sans décharge à l'extérieur (recyclage) :

S'il n'est pas possible d'évacuer les fumées et vapeurs de cuisson à l'extérieur, on peut employer l'installation sans décharge à l'extérieur (recyclage) de la hotte, dotée d'un filtre à charbon actif et du déflecteur. Les fumées et vapeurs sont recyclées à travers les persiennes du cache-conduit supérieur.

Pour commander l'ensemble de filtre à charbon et recyclage, voir "Accessoires" dans la section "Assistance ou service".

Pas de décharge à l'extérieur (recyclage)

Décharge à travers le toit



A. Déflecteur

B. Conduit rond, dia. 6" (15,2 cm)

A. Bouche de décharge sur toit

B. Conduit rond, dia. 6" (15,2 cm)

REMARQUE : Pour les maisons à deux étages, l'évacuation murale est possible.

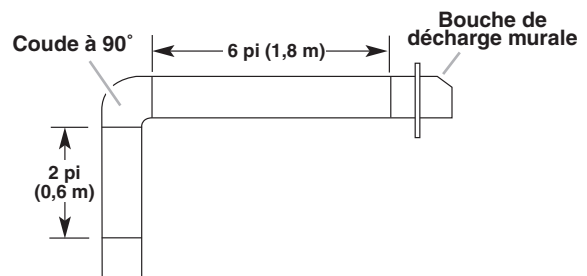
Calcul de la longueur effective du circuit d'évacuation

Pour calculer la longueur effective du circuit d'évacuation nécessaire, additionner les longueurs équivalentes (pieds/mètres) de tous les composants utilisés dans le système.

Composant	Conduit dia. 6" (15,2 cm)
Coude à 45°	2,5 pi (0,8 m)
Coude à 90°	5 pi (1,5 m)

La longueur équivalente maximum est de 35 pi (10,7 m).

Exemple de système de décharge :



Dans l'exemple suivant, la longueur théorique du circuit est inférieure au maximum de 35 pi (10,7 m).

1 - coude à 90°	= 5 pi (1,5 m)
1 - bouche de décharge murale	= 0 pi (0,0 m)
section droite de 8 pi (2,4 m)	= 8 pi (2,4 m)
Longueur équivalente totale du circuit	= 13 pi (3,9 m)

Spécifications électriques

Observer les dispositions de tous les codes et règlements en vigueur.

Vérifier que l'installation électrique a été correctement effectuée et qu'elle est conforme aux spécifications de la plus récente édition des normes National Electrical Code, ANSI/NFPA 70, ou de la norme CSA C22.1-94, Code canadien de l'électricité, partie 1 et C22.2 N° 0-M91 (dernière édition) et de tous les codes et règlements en vigueur locaux.

Si les codes le permettent et si on utilise un conducteur distinct de liaison à la terre, il est recommandé qu'un électricien qualifié vérifie la qualité de la liaison à la terre.

Pour obtenir un exemplaire de la norme des codes ci-dessus, contacter :

National Fire Protection Association
1 Batterymarch Park
Quincy, MA 02169-7471
CSA International
8501 East Pleasant Valley Road
Cleveland, OH 44131-5575

- L'appareil doit être alimenté par un circuit de 120 VCA seulement, 60 Hz, 15 A, protégé par fusible.
- Si le domicile est équipé d'un câblage en aluminium, suivre la procédure ci-dessous :
 1. Connecter une section de câble en cuivre massif aux conducteurs en queue de cochon.
 2. Connecter le câblage en aluminium à la section ajoutée de câblage en cuivre en utilisant des connecteurs et/ou des outils spécialement conçus et homologués UL pour fixer le cuivre à l'aluminium.

Appliquer la procédure recommandée par le fabricant des connecteurs électriques. La connexion aluminium/cuivre doit être conforme aux codes locaux et aux pratiques de câblage acceptées par l'industrie.

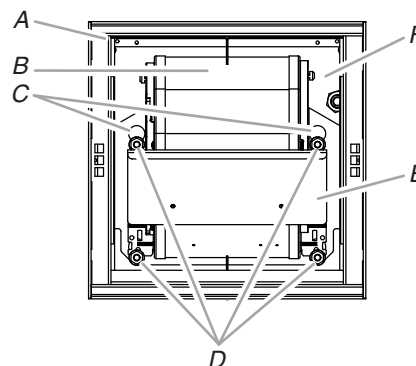
- Le calibre des conducteurs et les connexions doivent être compatibles avec la demande de courant de l'appareil spécifiée sur la plaque signalétique. La plaque signalétique de l'appareil est située derrière le filtre, sur la paroi arrière de la hotte.
- Le calibre des conducteurs doit satisfaire aux exigences de la plus récente édition de la norme National Electrical Code, ANSI/NFPA 70, ou des normes CSA C22.1-94, Code canadien de l'électricité, partie 1 et C22.2 n° 0-M91 (dernière édition) et de tous les codes et règlements en vigueur.

INSTRUCTIONS D'INSTALLATION

Préparation de l'emplacement

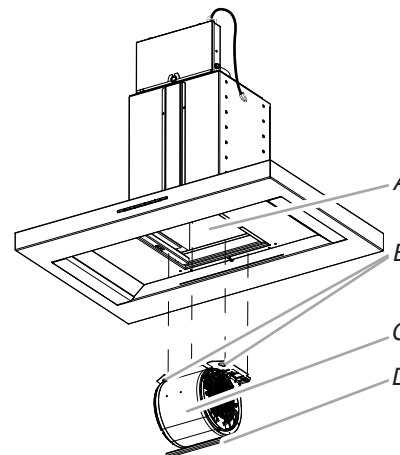
- Il est recommandé que l'installation du circuit d'évacuation soit réalisée avant celle de la hotte.
 - Avant d'exécuter les découpages, vérifier qu'il existe un dégagement suffisant dans le plafond pour le conduit d'évacuation.
 - La hotte doit être installée à 24" (61 cm) min. des surfaces de cuisson électriques, 30" (76,2 cm) min. des surfaces de cuisson au gaz, et à un maximum suggéré de 36" (91,4 cm) au-dessus de la surface de cuisson.
1. Déconnecter la source de courant électrique.
 2. Déterminer la méthode d'évacuation à utiliser : décharge à travers le toit, ou recyclage.
 3. Sélectionner une surface plane pour l'assemblage de la hotte. Placer le matériau de protection sur cette surface.

4. Saisir la platine du moteur et glisser le moteur vers l'arrière du module en passant par les grandes ouvertures des orifices en trou de serrure.



- A. Outil spécial de 1/2" (13 mm)
- B. Moteur
- C. Orifices en trou de serrure (grande ouverture) (4)
- D. Écrous de fixation du moteur de 1/2" (13 mm) (4)
- E. Platine du moteur
- F. Couvercle supérieur du module

5. Retirer le moteur de la hotte.



- A. Carter du ventilateur
- B. Orifices en trous de serrure (4)
- C. Moteur
- D. Platine du moteur

AVERTISSEMENT

Risque du poids excessif

Utiliser deux ou plus de personnes pour déplacer et installer la hotte de la cuisinière.

Le non-respect de cette instruction peut causer une blessure au dos ou d'autre blessure.

4. À l'aide de deux personnes ou plus, soulever la hotte et la poser sur la surface couverte.
5. Démontez le moteur de la hotte (voir la partie "Démontage du moteur" de cette section).

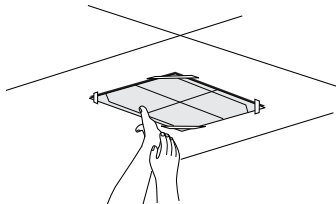
Démontage du moteur

Pour démonter le moteur :

1. Retirer le couvercle du filtre et le filtre à graisse métallique (voir la partie "Filtres à graisse métalliques" dans la section "Entretien de la hotte").
2. Débrancher le connecteur à 9 broches du câblage du moteur du ventilateur.
3. Localiser l'outil spécial de 1/2" (13 mm) à l'intérieur du carter du ventilateur de hotte, dans le coin avant gauche, derrière la plaque isolante. S'en servir pour desserrer les 4 écrous, situés à l'intérieur du carter du ventilateur, qui maintiennent le moteur au couvercle supérieur du module.

Installation des vis de montage de la hotte

- Déterminer l'emplacement d'installation de la hotte et en marquer l'axe central sur le plafond, en prenant en compte les normes relatives aux structures de soutien des plafonds. Voir la section "Exigences d'emplacement". S'assurer que la hotte est bien centrée par-dessus la surface de cuisson.
- Fixer le gabarit au plafond avec du ruban adhésif et marquer l'axe central. Aligner l'avant du gabarit avec l'avant de la table de cuisson.

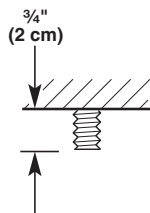


- À l'aide d'un crayon, marquer au plafond l'emplacement des vis de montage, du point d'accès au câblage et du trou de passage du conduit.

REMARQUE : Le montage de l'emplacement des trous doit se faire dans la structure de soutien du plafond. La structure de soutien du plafond doit être capable de soutenir une charge de 100 lb (45,4 kg).

Retirer le gabarit.

- Percer (4) avant-trous de $\frac{3}{16}$ " (4,8 mm) aux emplacements marqués sur le plafond, pour la fixation des vis-boulons à table.
- À l'aide d'un tournevis et d'un embout Torx® T20®, installer les (4) vis-boulons à table de 8 x 80 mm. Laisser environ $\frac{3}{4}$ " (2 cm) dépasser du plafond.



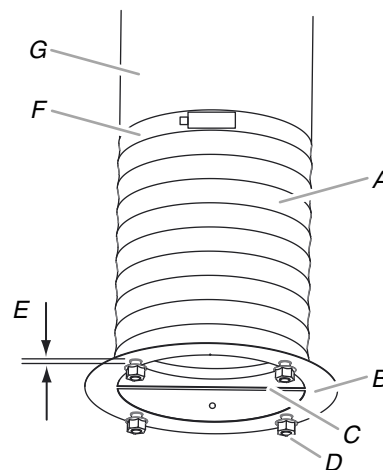
- Visser les écrous sur les vis-boulons à table mais ne pas serrer.

Achever la préparation

Pour les installations avec décharge à l'extérieur uniquement :

- Déterminer et marquer toutes les lignes de découpage nécessaires dans le plafond pour le passage du circuit d'évacuation. Installer le système d'évacuation avant la hotte. Voir la section "Exigences concernant l'évacuation".
- À l'aide d'une scie sauteuse ou scie à guichet, découper un trou de $6\frac{1}{2}$ " (16,5 cm) de diamètre dans le plafond pour le conduit d'évacuation.
- Installer le circuit d'évacuation à travers le trou du plafond.

- Connecter la partie de conduit flexible sur le système d'évacuation.



A. Conduit métallique flexible de 6" (15,2 cm)

B. Bossage de montage

C. Poignée du bossage de montage

D. Goujons et écrous de montage (4)

E. $\frac{3}{16}$ " (5 mm)

F. Bride pour conduit

G. Conduit rond du circuit d'évacuation de 6" (15,2 cm)

REMARQUE : La poignée du bossage de montage doit être parallèle à l'avant de la cuisinière afin d'aligner les goujons de montage avec les demi-fentes de la plaque du couvercle supérieur du module.

Pour les installations avec et sans décharge à l'extérieur :

- Déplier la partie flexible du conduit d'évacuation (fourni) sur une longueur d'environ 12" (30,5 cm) à 24" (61 cm) en fonction de la hauteur du plafond.

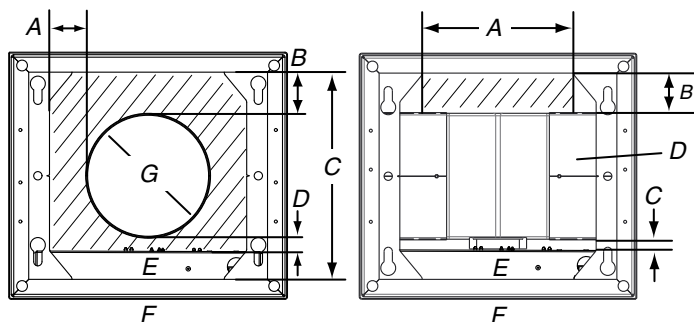
REMARQUE : Pour des plafonds d'une hauteur supérieure à 9' (2,7 m), un conduit rond supplémentaire d'une longueur de 6" (15,2 cm) (non fourni) est nécessaire.

- Desserrer les 4 écrous situés sur le bossage de montage. (L'ambase arrière de chaque écrou se trouve à environ $\frac{3}{16}$ " [5 mm] de la surface du bossage de montage.)
- Utiliser des brides de conduit pour fixer tous les raccords.
- Déterminer l'emplacement nécessaire dans le plafond pour le cordon d'alimentation du domicile et percer un trou de $1\frac{1}{4}$ " (3,2 cm) à cet emplacement.

Vue de dessus :

Installation avec décharge à l'extérieur :

Installation sans décharge à l'extérieur (recyclage) :



A. $1\frac{1}{16}$ " (4,3 cm)

B. $1\frac{13}{16}$ " (4,8 cm)

C. $9\frac{7}{8}$ " (24,9 cm)

D. $\frac{5}{8}$ " (1,5 cm)

E. Boîtier de connexion

F. Avant de la hotte

G. Conduit rond de 6" (15,2 cm)

A. 7" (17,8 cm)

B. $1\frac{1}{2}$ " (3,8 cm)

C. $\frac{5}{8}$ " (1,5 cm)

D. Déflecteur d'air

E. Boîtier de connexion

F. Avant de la hotte

Utiliser un câblage flexible. La partie hachurée correspond à la zone d'ouverture disponible pour l'accès du câblage dans le plafond dans la zone de la partie supérieure du conduit.

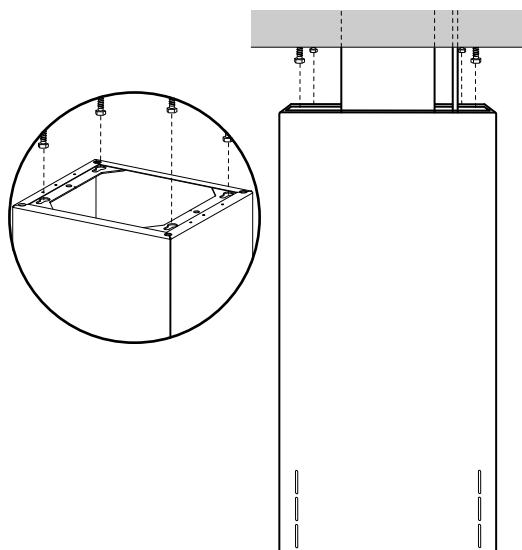
- Acheminer le câble d'alimentation du domicile selon les prescriptions du Code national de l'électricité, des normes CSA ou des codes et règlements locaux. La longueur du câblage flexible depuis le tableau de distribution (avec fusibles ou disjoncteurs) doit être suffisante pour réaliser facilement le raccordement dans le boîtier de connexion de la hotte.

REMARQUE : Ne pas mettre le système sous tension avant d'avoir complètement terminé l'installation.

- Utiliser un calfeutrant pour assurer l'étanchéité au niveau de chaque ouverture.

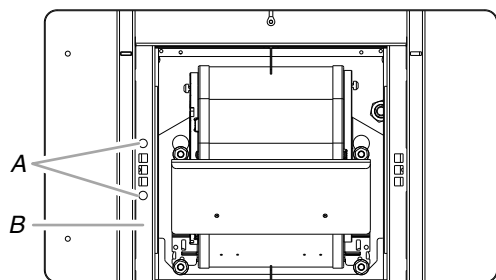
Installation de la hotte

- Soulever la partie supérieure du cache-conduit par-dessus le conduit d'évacuation et la prise de courant, et la faire glisser vers le plafond. Aligner la partie large des orifices en trous de serrure du sommet de la partie supérieure du cache-conduits par-dessus les écrous, et la faire coulisser dans la partie courte des orifices en trous de serrure.



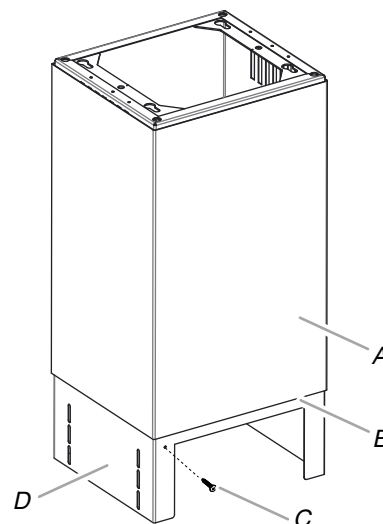
- Au moyen de l'outil spécial de 1/2" (13 mm) ou d'une clé à douille de 1/2" (13 mm) avec prolongateur de 24", serrer les écrous pour fixer la partie supérieure du cache-conduit au plafond.
- Identifier et retirer les (2) vis de service de 4 x 13 mm situées à l'intérieur du carter du ventilateur de hotte.

REMARQUE : Celles-ci sont utilisées pour maintenir la partie inférieure du cache-conduit en hauteur durant l'assemblage de la hotte sur la partie supérieure du cache-conduit.

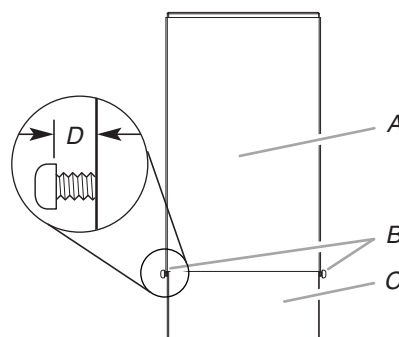


A. Vis de service de 4 x 13 mm (2)
B. Intérieur du carter du ventilateur de la hotte

- Faire coulisser la partie inférieure du cache-conduit par-dessus sa partie supérieure jusqu'à ce que son bord inférieur se trouve au-dessus des trous percés sur l'avant et l'arrière de la partie supérieure du cache-conduit. Tout en maintenant la partie inférieure du cache-conduit, installer les vis de service de 4 x 13 mm de chaque côté de la partie supérieure du cache-conduit. Laisser un espace d'environ 1/8" (3 mm) entre la tête de vis et la partie supérieure du cache-conduit. Abaisser la partie inférieure du cache-conduit de manière à ce qu'elle repose sur le sommet des vis. Ces vis vont maintenir la partie inférieure du cache-conduit en hauteur durant l'assemblage de la hotte sur la partie supérieure du cache-conduit.



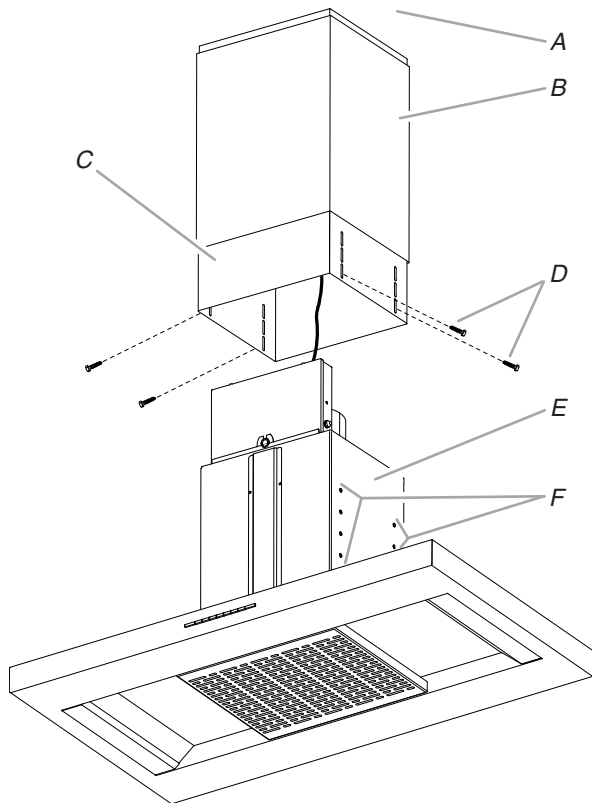
A. Partie inférieure du cache-conduit (avant)
B. Bord inférieur de la partie inférieure du cache-conduit
C. Vis de 4 x 13 mm
D. Partie supérieure du cache-conduit



A. Partie inférieure du cache-conduit
B. Vis de 4 x 13 mm
C. Partie supérieure du cache-conduit
D. 1/8" (3,2 mm)

- Déplacer la hotte sur son emplacement de montage et connecter la source d'alimentation électrique. Voir la section "Raccordement électrique".

6. Soulever la hotte à la hauteur approximative recommandée pour le type de cuisinière, et installer au minimum (4) vis de 5 x 12 mm (D) (2 de chaque côté) à travers les encoches de la partie supérieure du cache-conduit et dans les attaches filetées montées (F) de la hotte.

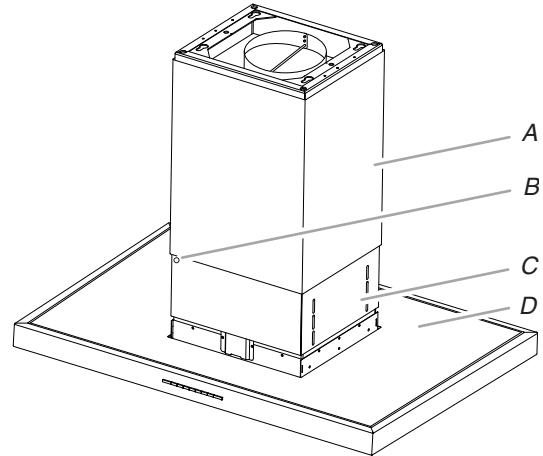


- | | |
|---------------------------------------|--|
| A. Plafond | D. Vis de montage (4) |
| B. Partie inférieure du cache-conduit | E. Hotte de cuisinière |
| C. Partie supérieure du cache-conduit | F. Attaches filetées montées de la hotte |

7. Ajuster la hotte à la hauteur désirée. Mettre la hotte de niveau et serrer les écrous à l'aide d'un tournevis à embout T20® Torx®. Voir "Dimensions d'installation" à la section "Exigences d'emplacement".

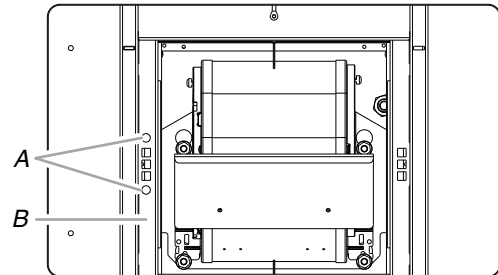
REMARQUE : La hauteur finale doit se situer entre les dimensions minimale et maximale recommandées. Les attaches filetées montées de la hotte servent à ajouter la hauteur durant l'installation, afin de rester entre la distance minimale et maximale approuvée entre le bas de la hotte et le sommet de la surface de cuisson.

8. Accéder à l'intérieur de la hotte de cuisinière et saisir la poignée du bossage de montage. Tirer vers le bas pour aligner les écrous avec les trous du couvercle supérieur du module. Le pousser vers l'arrière dans les demi-fentes pour le fixer. Serrer les (4) écrous au moyen de l'outil spécial de 1/2" (13 mm) ou d'une clé à douille de 1/2" avec prolongateur.
9. Pousser la partie inférieure du cache-conduit vers le haut et la maintenir en hauteur, et retirer les (2) vis de 4 x 13 mm. Faire glisser vers le bas la section inférieure du cache-cheminée sur le sommet de la hotte.



- | |
|---------------------------------------|
| A. Partie inférieure du cache-conduit |
| B. Vis de 4 x 13 mm (2) |
| C. Partie supérieure du cache-conduit |
| D. Hotte de cuisinière |

10. Remettre en place les (2) vis de service de 4 x 13 mm dans l'espace de rangement situé à l'intérieur du carter du ventilateur de hotte.



- | |
|---|
| A. Vis de service de 4 x 13 mm (2) |
| B. Intérieur du carter du ventilateur de la hotte |

11. Passer à la section "Achever l'installation".

Raccordement électrique

AVERTISSEMENT



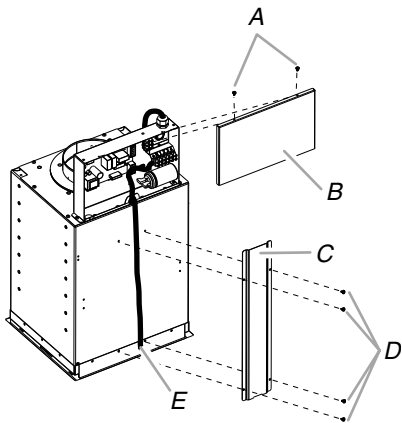
Risque de choc électrique

Déconnecter la source de courant électrique avant l'entretien.

Replacer pièces et panneaux avant de faire la remise en marche.

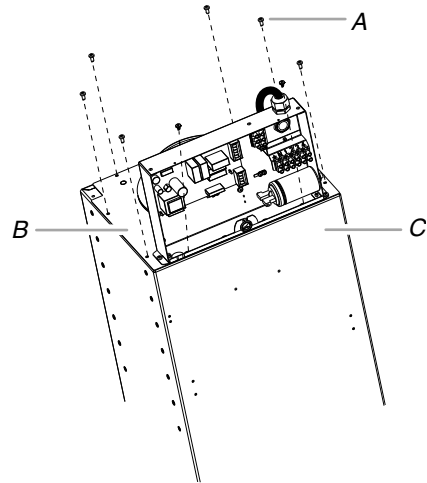
Le non-respect de ces instructions peut causer un décès ou un choc électrique.

1. Déconnecter la source de courant électrique.
2. Retirer les (2) vis du sommet du couvercle du boîtier de connexion et mettre de côté les vis et le couvercle.
3. À l'aide d'un tournevis Torx® T20®, installer les (4) vis du panneau de la canalisation du câblage, et mettre de côté la pièce et les vis.
Ne pas endommager le câblage.



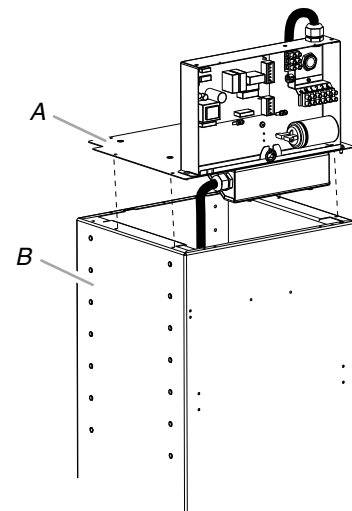
- A. Couvercle du boîtier de connexion
B. Vis du couvercle du boîtier de connexion (2)
C. Canalisation de câblage
D. Vis de montage de la canalisation de câblage (4)
E. Câblage électrique

4. À l'aide d'un tournevis Torx® T20®, retirer les (2) vis situées à l'intérieur du boîtier de connexion retenant la platine du module, et les (6) autres vis disposées le long du périmètre de la platine du module.



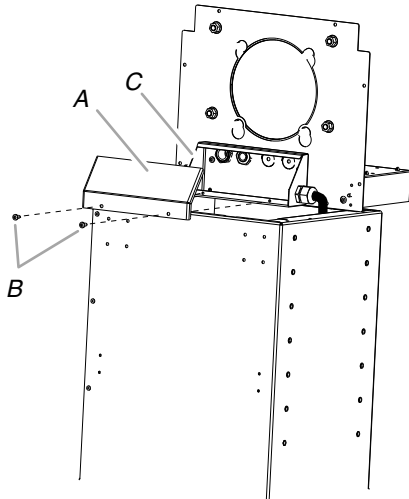
- A. Vis du sommet du module (2)
B. Platine du module
C. Module de la hotte de cuisinière

5. Soulever la platine du sommet du module de la hotte, et la poser sur le sommet du module.



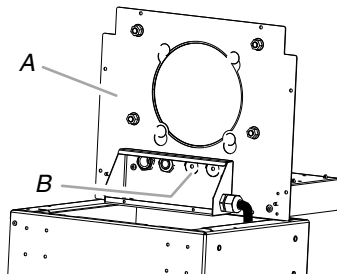
- A. Platine du module
B. Module de la hotte de cuisinière

6. À l'aide d'un tournevis Torx® T20®, retirer les (2) vis du panneau du boîtier de connexion électrique situé en bas de la platine du module.



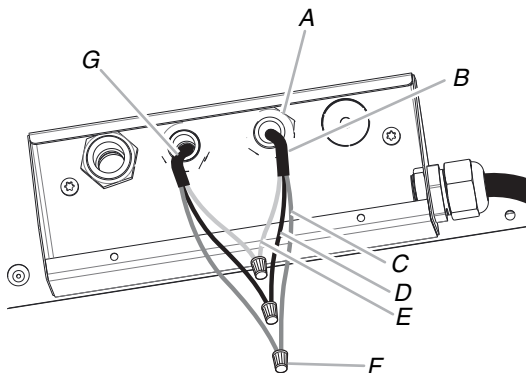
A. Couverture du boîtier de connexion
B. Vis (2)
C. Boîtier de connexion

7. Retirer l'opercule arrachable portant la mention "Elec IN" de la platine supérieure du module, et installer un serre-câble (homologation UL ou CSA).



A. Dessous de la platine supérieure du module
B. Opercule arrachable portant la mention Elec IN

8. Acheminer le câble d'alimentation électrique du domicile à 3 conducteurs flexible du plafond à travers le serre-câble, dans le boîtier de connexion.



A. Serre-câble (homologation UL ou CSA)
B. Câble d'alimentation électrique du domicile à 3 conducteurs flexible
C. Conducteurs verts, nus ou jaune/vert
D. Conducteurs noirs
E. Connecteurs blancs
F. Connecteurs de fils homologués UL (3)
G. Câble d'alimentation électrique du boîtier de connexion à 3 conducteurs flexible

9. Connecter ensemble les conducteurs noirs avec des connecteurs de fils (homologation UL).
10. Connecter ensemble les conducteurs blancs avec des connecteurs de fils (homologation UL).

⚠ AVERTISSEMENT



Risque de choc électrique

Relier le ventilateur à la terre.

Brancher le fil relié à la terre au fil vert et jaune relié à la terre dans la boîte de la borne.

Le non-respect de ces instructions peut causer un décès ou un choc électrique.

11. Connecter le conducteur de terre vert (ou nu) du câble de la table de cuisson au conducteur de terre vert (ou vert/jaune) (dans le boîtier de connexion) avec les connecteurs de fils (homologation UL).
12. Serrer le serre-câble pour fixer le cordon d'alimentation électrique du domicile.
13. Réassembler le couvercle du boîtier de connexion électrique sur le bas de la platine du module.
14. Réassembler la platine du module sur le dessus du module de la hotte de cuisinière, et serrer les (8) vis.
15. Réassembler le couvercle du boîtier de connexion électrique et la canalisation de câblage sur l'avant du module de la hotte.

Achever l'installation

Remontage du moteur :

- Placer le moteur dans le module de ventilateur de sorte que les grands orifices en trou de serrure du moteur se trouvent à l'arrière de la hotte.
- En tenant la platine du moteur, lever le moteur dans le module de ventilateur. Aligner les grands orifices en trou de serrure avec les écrous de fixation du moteur, le lever contre le couvercle supérieur du module et tirer le moteur vers l'avant pour le bloquer dans les petites fentes des orifices en trou de serrure.
- Au moyen de l'outil spécial de 1/2" (13 mm), serrer les 4 écrous pour fixer le moteur.
- Reconnecter le connecteur à 9 broches du moteur à la source de courant électrique.
- Reconnecter la source de courant électrique.

Achever l'installation:

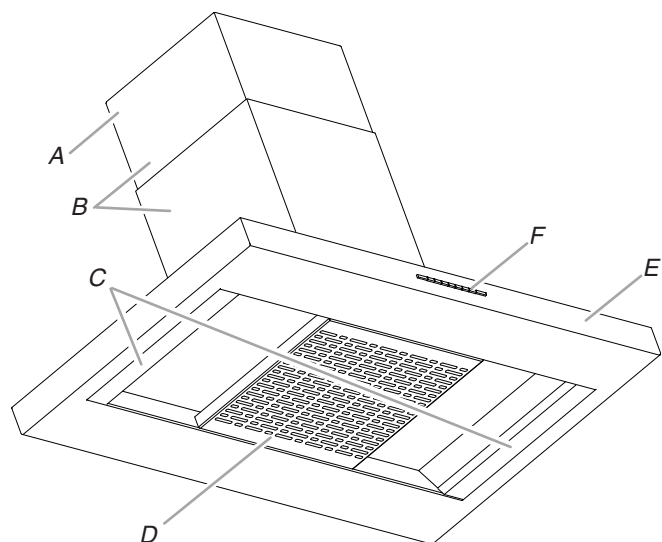
- Pour les installations sans évacuation à l'extérieur (recyclage) uniquement, installer les filtres à charbon par-dessus le filtre métallique. Voir la section "Entretien de la cuisinière".
- Installer les filtres métalliques. Voir la section "Entretien de la cuisinière".
- Contrôler le fonctionnement du ventilateur de la hotte et de la lampe. Voir la section "Utilisation de la hotte".
Si la hotte ne fonctionne pas, déterminer si un disjoncteur s'est ouvert ou si un fusible du domicile est grillé.

REMARQUE : Pour pouvoir tirer le plus grand parti de la nouvelle hotte de cuisinière, lire la section "Utilisation de la hotte".

UTILISATION DE LA HOTTE

La hotte de cuisinière est conçue pour extraire fumée, vapeurs de cuisson et odeurs de la zone de la table de cuisson. Pour obtenir les meilleurs résultats, mettre le ventilateur de la hotte en marche avant d'entreprendre une cuisson, et laisser le ventilateur fonctionner pendant plusieurs minutes après l'achèvement d'une cuisson pour pouvoir évacuer de la cuisine toute trace d'odeur de cuisson, vapeur ou fumée.

Les commandes de la hotte sont situées à l'avant de la hotte.



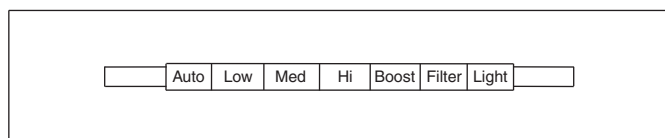
A. Ouvertures persiennes (Installations sans évacuation à l'extérieur [recyclage] uniquement)

B. Cache-conduits
C. Lampes

D. Porte du filtre

E. Hotte
F. Panneau de commande

Tableau de commande



Commandes et caractéristiques

REMARQUES :

- Pour activer les commandes, maintenir appuyé le bouton désiré.
- Lorsqu'une caractéristique est enclenchée, le bouton correspondant s'allume.

Mode de veille

Lorsqu'elle n'est pas utilisée, la hotte se met automatiquement en mode de veille. Au bout de 10 minutes d'inactivité de la hotte tous les témoins lumineux des boutons de commande s'éteignent. Pour arrêter le mode de veille, appuyer sur n'importe quel bouton.

Auto Sense (détection automatique)

La fonction Auto Sense (détection automatique) met la hotte en marche automatiquement lorsqu'elle détecte une chaleur supérieure à la limite de température permise. Lorsque la fonction Auto Sense (détection automatique) est activée, la vitesse du ventilateur augmente ou diminue selon la température détectée par Auto Sense.

La fonction Auto Sense peut être augmentée manuellement en sélectionnant une vitesse de ventilateur plus élevée. Le moteur du ventilateur fonctionnera à la vitesse sélectionnée pendant 10 minutes avant de revenir à la vitesse sélectionnée par Auto Sense.

Si la fonction Auto Sense est activée, le témoin lumineux du bouton Auto s'éteint et entre en mode de veille lorsque la hotte n'est pas utilisée. Si la hotte est mise en marche par l'utilisateur ou par la fonction Auto Sense (détection automatique), le témoin lumineux du bouton Auto s'allume.

Pour régler la fonction Auto Sense (détection automatique) :
Appuyer sur AUTO.

Pour sélectionner le type de table de cuisson pour la fonction Auto Sense (détection automatique) :

REMARQUE : Cette hotte a été configurée à l'usine pour détecter une table de cuisson à gaz.

Appuyer sur AUTO pendant 5 secondes pour passer du mode table de cuisson à gaz au mode table de cuisson électrique.

Le témoin lumineux du bouton Auto clignote 5 fois lorsque la hotte passe au mode table de cuisson électrique. La fonction Auto Sense est à présent configurée pour les tables de cuisson et les cuisinières électriques.

Le témoin lumineux du bouton Auto clignote 3 fois lorsque la hotte passe au mode table de cuisson à gaz. La fonction Auto Sense est à présent configurée pour les tables de cuisson et les cuisinières à gaz.

Modifier le type de table de cuisson modifie également la limite de température mettant en route la fonction Auto Sense. Lorsque la hotte détecte une température suffisamment élevée, le ventilateur se met en route automatiquement. Lorsque la température descend au-delà de la limite réglée, le ventilateur s'arrête automatiquement. Le témoin lumineux du bouton Auto s'éteint lorsque la hotte entre en mode de veille, mais la fonction Auto Sense est toujours active.

Pour désactiver la fonction Auto Sense (détection automatique) :

Si le témoin lumineux du bouton Auto est allumé, appuyer une fois sur AUTO pour désactiver la fonction Auto Sense. Le témoin lumineux du bouton Auto s'éteint.

Si la fonction Auto Sense est en mode de veille, appuyer une fois sur AUTO pour désactiver le mode de veille, et le bouton Auto s'allume. Appuyer encore une fois sur AUTO pour désactiver le mode Auto Sense, et le bouton Auto s'éteint.

Le système de déclenchement automatique Auto Sense s'éteint automatiquement après 2 heures d'inactivité. Pour réinitialiser Auto Sense, appuyer sur AUTO.

Fonctions manuelles de ventilation

Vitesses du ventilateur

- Low (basse)** Appuyer sur LOW (basse) pour mettre en marche le ventilateur à vitesse peu élevée.
- Med (moyenne)** Appuyer sur MED (moyenne) pour mettre en marche le ventilateur à vitesse moyenne.
- Hi (élevée)** Appuyer sur HI (élevée) pour mettre en marche le ventilateur à vitesse élevée.
- Boost (niveau optimal)** Appuyer sur BOOST (niveau optimal) pour mettre en marche le ventilateur à vitesse maximale. Le mode Boost s'arrête automatiquement au bout de 10 minutes, et la vitesse du ventilateur se règle sur High (élevée).

Minuterie

La hotte peut être réglée pour s'éteindre automatiquement après 15 minutes.

1. Maintenir appuyé le bouton de la vitesse de ventilateur désirée pendant 2 secondes.
Le moteur du ventilateur fonctionne alors à la vitesse sélectionnée pendant 15 minutes et le témoin lumineux de la vitesse du ventilateur clignote en continu.
Après 15 minutes, le ventilateur s'éteint automatiquement.
2. Lorsque la minuterie du ventilateur est en marche, appuyer encore une fois sur le bouton correspondant à la vitesse de ventilateur désirée pour annuler la minuterie du ventilateur.

REMARQUE : On peut également annuler la minuterie de 15 minutes en modifiant la vitesse du ventilateur ou en mettant en route la fonction Auto Sense (détection automatique).

Filtre

Le témoin lumineux du bouton Filter (filtre) s'allume lorsqu'il est temps de remplacer ou de nettoyer le filtre. Le témoin doit être illuminé lorsque le ventilateur fonctionne. Appuyer sur FILTER (filtre) après avoir remplacé le filtre pour éteindre le témoin lumineux du bouton Filter (filtre). Voir la section "Nettoyage" pour des instructions de remplacement et de nettoyage du filtre.

Éclairage

Appuyer sur LIGHT (lampe) pour allumer ou éteindre les lampes de la hotte.

ENTRETIEN DE LA HOTTE

Nettoyage

IMPORTANT : Nettoyer fréquemment la hotte et les filtres à graisse en suivant les instructions suivantes. Réinstaller les filtres à graisse avant de faire fonctionner la hotte.

Surfaces externes :

Afin d'éviter d'endommager la surface externe, ne pas utiliser de tampons en laine d'acier ou de tampons à récurer savonneux. Toujours essuyer pour éviter de laisser des marques d'eau.

Méthode de nettoyage :

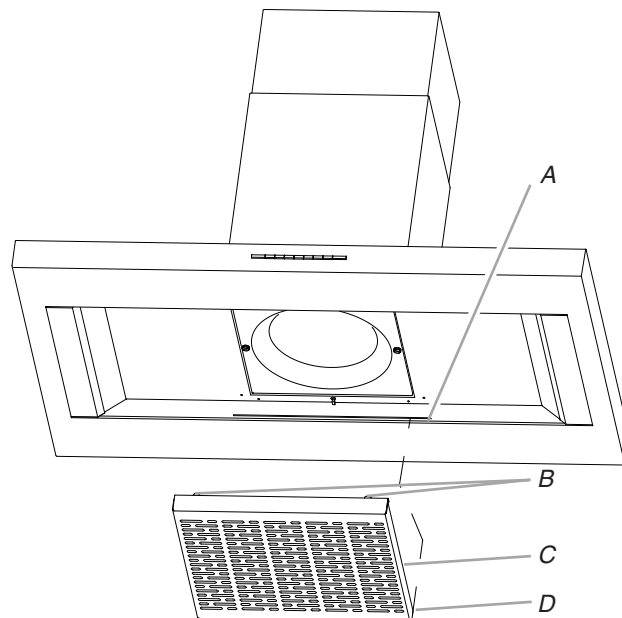
- Savon détergent liquide et eau, ou nettoyant tout usage
- Frotter avec un chiffon doux humide ou une éponge non abrasive, puis rincer avec de l'eau propre et essuyer.

Filtres à graisse métalliques

Le filtre doit être lavé fréquemment. Placer le filtre métallique dans le lave-vaisselle ou dans une solution de détergent chaude pour le nettoyage.

Laisser sécher le filtre complètement avant de le remettre en place.

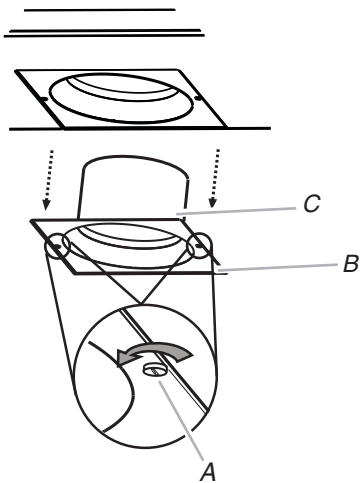
REMARQUE : Le filtre à graisse métallique se trouve derrière le couvercle du filtre métallique central. Le panneau est fixé à l'avant par aimantation et possède une languette à l'arrière pour maintenir le couvercle du filtre en place. Pour accéder au filtre à graisse, saisir le panneau par les coins avant et tirer vers le bas. Cela libère le panneau de la force d'attraction des aimants et lui permet de pivoter vers le bas. Pour retirer le filtre, tirer la languette d'alignement du couvercle du filtre hors de l'encoche d'alignement de la hotte.



- A. Encoche pour alignement du couvercle du filtre
B. Aimants du couvercle du filtre
C. Couvercle du filtre
D. Languette du couvercle du filtre pour alignement

Dépose des filtres à graisse métalliques :

1. Éteindre le ventilateur et les lampes.
2. Retirer le cadre de support du filtre et le filtre à graisse en utilisant un tournevis à tête plate pour tourner les vis de fixation du filtre à graisse 90° dans le sens antihoraire.



A. Vis de fixation du filtre à graisse
B. Cadre de support du filtre
C. Filtre à graisse

Réinstallation du filtre à graisse métallique :

Replacer le filtre à graisse et le cadre du filtre dans la hotte de la cuisinière. Aligner la vis du filtre à graisse et utiliser un tournevis à tête plate pour tourner les vis de fixation du filtre à graisse à 90° dans le sens horaire pour le verrouiller en place.

Filtres à charbon – Installation sans évacuation à l'extérieur (recyclage)

REMARQUE : Le filtre à charbon doit être remplacé après environ 3 ans d'utilisation. Pour commander un ensemble de filtre à charbon de rechange, voir la section "Assistance ou service".

On peut nettoyer et réactiver les filtres à charbon. Nettoyer le filtre au lave-vaisselle avec un détergent normal (sélectionner le réglage de température le plus élevé).

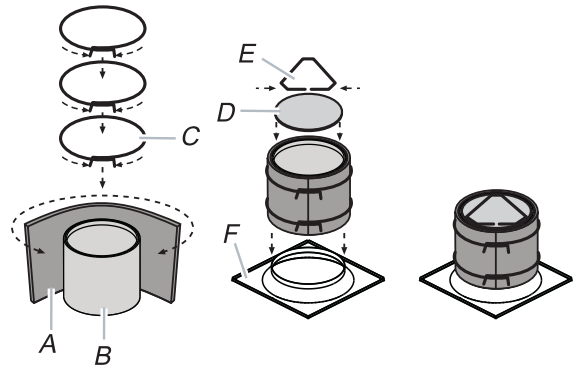
Pour la réactivation du filtre, sécher le filtre dans un four pendant 10 minutes à une température maximum de 210°F (100°C).

Dépose des filtres à charbon :

1. Éteindre le ventilateur et les lampes.
2. Retirer les filtres à graisse métalliques. Voir la section "Filtres à graisse métalliques".
3. Retirer les ressorts latéraux et supérieurs du système de verrouillage.
4. Nettoyer ou jeter le filtre à charbon.

Réinstallation des filtres à charbon :

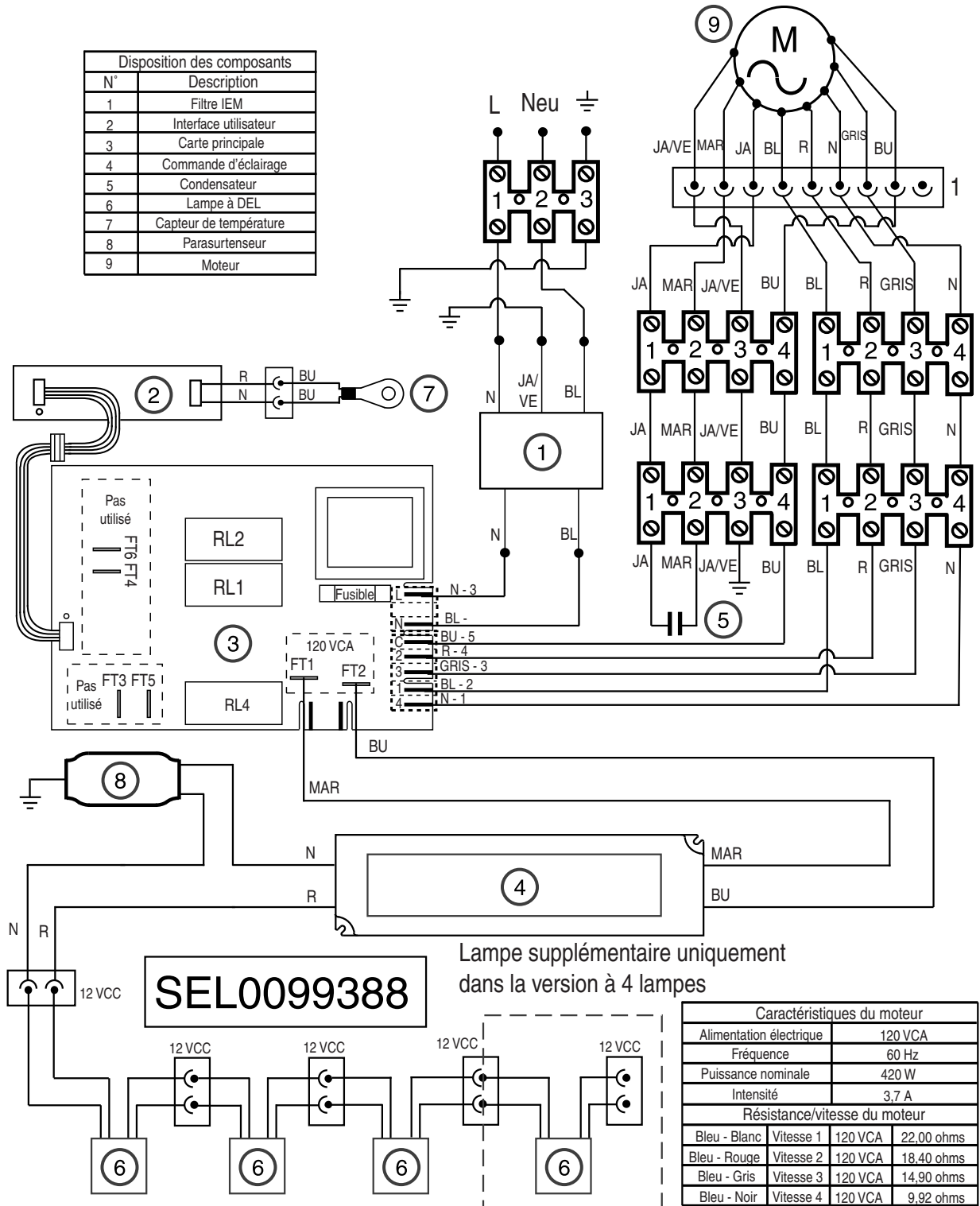
1. Pour les installations sans évacuation à l'extérieur (recyclage), installer le filtre à charbon en l'enveloppant autour du filtre à graisse.
2. Placer le morceau de revêtement souple du filtre à charbon autour du filtre à graisse et le fixer à l'aide du ressort de verrouillage du couvercle fourni.
3. Positionner le couvercle supérieur et le fixer à l'aide du ressort de verrouillage du couvercle fourni.



A. Revêtement souple du filtre à charbon
B. Filtre à graisse
C. Ressorts latéraux de verrouillage du filtre à charbon
D. Couvercle supérieur
E. Ressort de verrouillage du couvercle
F. Support du filtre à graisse

SCHÉMA DE CÂBLAGE

Disposition des composants	
N°	Description
1	Filtre IEM
2	Interface utilisateur
3	Carte principale
4	Commande d'éclairage
5	Condensateur
6	Lampe à DEL
7	Capteur de température
8	Parasurtenseur
9	Moteur



ASSISTANCE OU SERVICE

Si vous avez besoin de service :

Consulter la page de garantie du présent manuel.

Si vous avez besoin de pièces de rechange :

Si vous avez besoin de commander des pièces de rechange, nous vous recommandons d'utiliser seulement des pièces spécifiées par l'usine. Les pièces spécifiées par l'usine conviendront et fonctionneront bien car elles sont fabriquées avec la même précision que celles utilisées pour fabriquer chaque nouvel appareil.

Pour localiser des pièces spécifiées par l'usine dans votre région, composer le numéro de téléphone d'aide à la clientèle suivant ou appeler le centre de service désigné le plus proche.

Au Canada

Téléphoner sans frais au Centre pour l'eXpérience de la clientèle Whirlpool Canada LP au **1-800-JENN-AIR (1-800-536-6247)** ou visiter notre site Internet sur **www.jennair.ca**.

Nos consultants peuvent vous aider sur les points suivants :

- Appeler pour demander une intervention de dépannage. Les techniciens de service désignés par Jenn-Air® sont formés pour remplir la garantie des produits et fournir un service après la garantie, partout au Canada.
- Caractéristiques et spécifications de notre gamme complète d'appareils ménagers.
- Références aux concessionnaires locaux Jenn-Air®.
- Renseignements pour l'installation.
- Procédés d'utilisation et d'entretien.
- Vente d'accessoires et de pièces de rechange.

Pour de l'aide supplémentaire :

Si vous avez besoin d'aide supplémentaire, vous pouvez écrire à Jenn-Air® Appliances en soumettant toute question ou problème à :

Jenn-Air Brand Home Appliances
Customer eXperience Centre
200 - 6750 Century Ave.
Mississauga, Ontario L5N 0B7

Veuillez indiquer dans votre correspondance un numéro de téléphone où l'on peut vous joindre dans la journée.

Accessoires

Ensemble de filtres à charbon

(pour installations sans décharge à l'extérieur uniquement)
Commander la référence W10272069

Ensemble de recyclage pour cache-conduit

(pour plafonds de 7' 9" [2,36 m] à 9' 8" [2,95 m])
(pour installations sans décharge à l'extérieur uniquement)
Commander la référence W10646865

Ensemble prolongateur de cache-conduit (pour installations avec évacuation)

(pour plafonds de 10' 2" [3,1 m] à 12' [3,66 m])
Commander la référence W10646863

Ensemble prolongateur de cache-conduit (pour installations avec évacuation)

(pour plafonds de 9' 1" [2,77 m] à 11' [3,35 m])
Commander la référence W10685946

Ensemble prolongateur de cache-conduit (recyclage)

(pour plafonds de 10' 2" [3,1 m] à 12' [3,66 m])
(pour installations sans décharge à l'extérieur)
Commander la référence W10685947

Ensemble prolongateur de cache-conduit (recyclage)

(pour plafonds de 9' 1" [2,77 m] à 11' [3,35 m])
(pour installations sans décharge à l'extérieur)
Commander la référence W10646866

Ensemble d'air de compensation de 6" (15,2 cm)

(consulter les codes du bâtiment local)
Commander la référence W10446915

Raccord d'adaptation de 6" à 8" (15,2 cm à 20,3 cm)

(pour installations à conduit de 8" [20,3 cm])
Commander la référence W10685950

GARANTIE LIMITÉE DES GROS APPAREILS MÉNAGERS JENN-AIR®

ATTACHEZ ICI VOTRE REÇU DE VENTE. UNE PREUVE D'ACHAT EST OBLIGATOIRE POUR OBTENIR L'APPLICATION DE LA GARANTIE.

Lorsque vous appelez le centre d'eXpérience de la clientèle, veuillez garder à disposition les renseignements suivants :

- Nom, adresse et numéro de téléphone
- Numéros de modèle et de série
- Une description claire et détaillée du problème rencontré
- Une preuve d'achat incluant le nom et l'adresse du marchand ou du détaillant

SI VOUS AVEZ BESOIN DE SERVICE :

1. Avant de nous contacter pour obtenir un dépannage, veuillez déterminer si des réparations sont nécessaires pour votre produit. Certains problèmes peuvent être résolus sans intervention de dépannage. Prenez quelques minutes pour parcourir la section Dépannage ou Résolution de problèmes du guide d'utilisation et d'entretien, numérisé le code 2D ci-contre avec votre téléphone intelligent pour accéder à des ressources supplémentaires, ou rendez-vous sur le site <http://www.jennair.ca>.
2. Tout service sous garantie doit être effectué exclusivement par nos fournisseurs de dépannage autorisés Jenn-Air. Aux E.-U. et au Canada, dirigez toutes vos demandes de service sous garantie au

Centre d'eXpérience de la clientèle Jenn-Air
1-800-JENNAIR (1-800-536-6247)



<http://www.jennair.ca>

Si vous résidez à l'extérieur du Canada et des 50 États des États-Unis, contactez votre marchand Jenn-Air autorisé pour déterminer si une autre garantie s'applique.

GARANTIE LIMITÉE DE DEUX ANS

CE QUI EST COUVERT

Pendant deux ans à compter de la date d'achat, lorsque ce gros appareil ménager est installé, utilisé et entretenu conformément aux instructions jointes à ou fournies avec le produit, la marque Jenn-Air de Whirlpool Corporation ou Whirlpool Canada, LP (ci-après désignées "Jenn-Air") décidera à sa seule discrétion de remplacer le produit ou de couvrir le coût des pièces spécifiées par l'usine et de la main-d'œuvre nécessaires pour corriger les vices de matériaux ou de fabrication qui existaient déjà lorsque ce gros appareil ménager a été acheté. S'il est remplacé, l'appareil sera couvert pour la période restant à courir de la garantie limitée d'un an du produit d'origine.

LE SEUL ET EXCLUSIF RECOURS DU CLIENT DANS LE CADRE DE LA PRÉSENTE GARANTIE LIMITÉE CONSISTE EN LA RÉPARATION PRÉVUE PAR LA PRÉSENTE. Le service doit être fourni par une compagnie de service désignée par Jenn-Air. Cette garantie limitée est valide uniquement aux États-Unis ou au Canada et s'applique exclusivement lorsque le gros appareil ménager est utilisé dans le pays où il a été acheté. La présente garantie limitée est valable à compter de la date d'achat initial par le consommateur. Une preuve de la date d'achat initial est exigée pour obtenir un dépannage dans le cadre de la présente garantie limitée.

CE QUI N'EST PAS COUVERT

1. Usage commercial, non résidentiel ou par plusieurs familles, ou non-respect des instructions de l'utilisateur, de l'opérateur ou des instructions d'installation.
 2. Visite d'instruction à domicile pour montrer à l'utilisateur comment utiliser l'appareil.
 3. Visites de service pour rectifier une installation ou un entretien fautifs du produit, une installation non conforme aux codes d'électricité ou de plomberie, ou la rectification de l'installation électrique ou de la plomberie du domicile (ex : câblage électrique, fusibles ou tuyaux d'arrivée d'eau du domicile).
 4. Pièces consommables (ex : ampoules, batteries, filtres à air ou à eau, solutions de conservation, etc.).
 5. Défauts ou dommage résultant de l'utilisation de pièces ou accessoires Jenn-Air non authentiques.
 6. Conversion de votre produit du gaz naturel ou du gaz de pétrole liquéfié.
 7. Dommages causés par : accident, mésusage, abus, incendie, inondations, catastrophe naturelle ou l'utilisation de produits non approuvés par Jenn-Air.
 8. Réparations aux pièces ou systèmes dans le but de rectifier un dommage ou des défauts résultant d'une réparation, altération ou modification non autorisée faite à l'appareil.
 9. Défauts d'apparence, notamment les éraflures, traces de choc, fissures ou tout autre dommage causés au fini de l'appareil ménager, à moins que ces dommages ne résultent de vices de matériaux ou de fabrication et ne soient signalés à Jenn-Air dans les 30 jours suivant la date d'achat.
 10. Décoloration, rouille ou oxydation des surfaces résultant d'environnements caustiques ou corrosifs incluant des concentrations élevées de sel, un haut degré d'humidité ou une exposition à des produits chimiques.
 11. Perte d'aliments ou de médicaments due à la défaillance du produit.
 12. Enlèvement ou livraison. Ce produit est conçu pour être réparé au domicile.
 13. Frais de déplacement et de transport pour le dépannage/la réparation dans une région éloignée où une compagnie de service Jenn-Air autorisée n'est pas disponible.
 14. Retrait ou réinstallation d'appareils inaccessibles ou de dispositifs préinstallés (ex : garnitures, panneaux décoratifs, plancher, meubles, îlots de cuisine, plans de travail, panneaux de gypse, etc.) qui entravent le dépannage, le retrait ou le remplacement du produit.
 15. Service et pièces pour des appareils dont les numéros de série
- Le coût d'une réparation ou d'un remplacement dans le cadre de ces circonstances exclues est à la charge du client.**

CLAUSE D'EXONÉRATION DE RESPONSABILITÉ AU TITRE DES GARANTIES IMPLICITES

LES GARANTIES IMPLICITES, Y COMPRIS LES GARANTIES APPLICABLES DE QUALITÉ MARCHANDE OU D'APTITUDE À UN USAGE PARTICULIER, SONT LIMITÉES À UN AN OU À LA PLUS COURTE PÉRIODE AUTORISÉE PAR LA LOI. Certains états et provinces ne permettent pas de limitation sur la durée des garanties implicites de qualité marchande ou d'aptitude à un usage particulier, de sorte que la limitation ci-dessus peut ne pas être applicable dans votre cas. Cette garantie vous confère des droits juridiques spécifiques et vous pouvez également jouir d'autres droits qui peuvent varier d'une juridiction à l'autre.

EXONÉRATION DE RESPONSABILITÉ DANS LES DOMAINES NON COUVERTS PAR LA GARANTIE

Jenn-Air décline toute responsabilité au titre de la qualité, de la durabilité ou en cas de dépannage ou de réparation nécessaire sur ce gros appareil ménager autre que les responsabilités énoncées dans la présente garantie. Si vous souhaitez une garantie plus étendue ou plus complète que la garantie limitée fournie avec ce gros appareil ménager, adressez-vous à Jenn-Air ou à votre détaillant pour obtenir les modalités d'achat d'une garantie étendue.

LIMITATION DES RECOURS; EXCLUSION DES DOMMAGES FORTUITS OU INDIRECTS

LE SEUL ET EXCLUSIF RECOURS DU CLIENT DANS LE CADRE DE LA PRÉSENTE GARANTIE LIMITÉE CONSISTE EN LA RÉPARATION PRÉVUE PAR LA PRÉSENTE. JENN-AIR N'ASSUME AUCUNE RESPONSABILITÉ POUR LES DOMMAGES FORTUITS OU INDIRECTS. Certains états et certaines provinces ne permettent pas l'exclusion ou la limitation des dommages fortuits ou indirects de sorte que ces limitations et exclusions peuvent ne pas être applicables dans votre cas. Cette garantie vous confère des droits juridiques spécifiques et vous pouvez également jouir d'autres droits qui peuvent varier d'une juridiction à l'autre.

