

# JVE40DT

## GE® 30" ENERGY STAR® Qualified Ventilation Hood

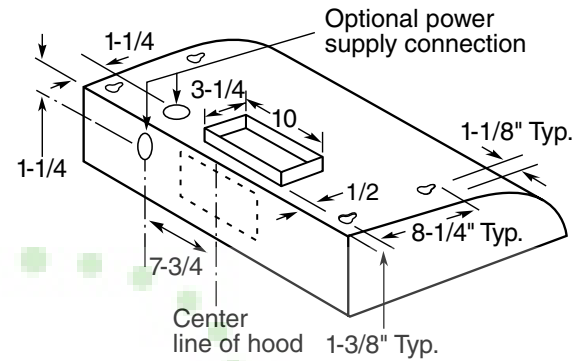
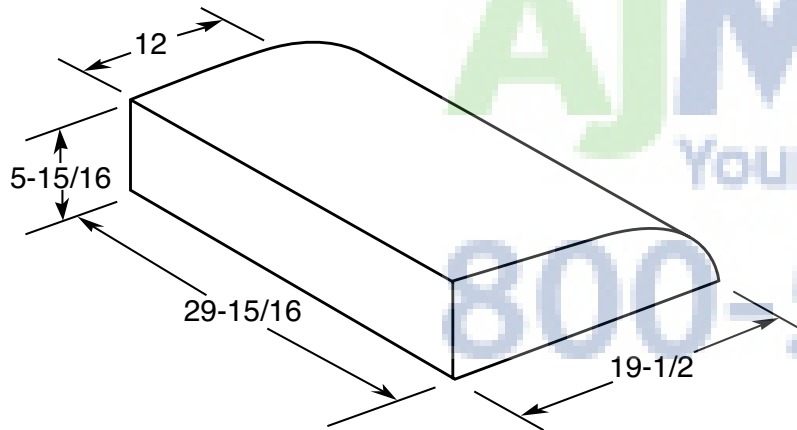
### Dimensions and Installation Information (in inches)

Amp Rating	
120V	1.0

WB02X9381 replacement grease filter and WB02X10700 replacement charcoal filter are available for additional cost. Call toll-free 800.626.2002.

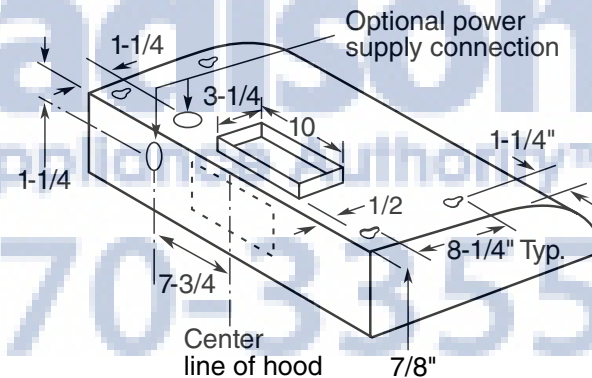
**JXHC1 Cord Kit:** Allows a receptacle in the cabinet over the range to accommodate either an over-the-range microwave oven or a standard hood.

**Installation Information:** Before installing, consult installation instructions, packed with product, for current dimensional data. Light bulb(s) not included.



Refer to this drawing for rectangular exhaust option.

Exhaust outlet connects to 3-1/4" x 10" rectangular duct. Vent top or rear. Includes rectangular damper.



Refer to this drawing for round exhaust option.

Exhaust outlet connects to 7" diameter duct. Vent top only. Round damper accessory. JXDA22, available at additional cost.

For answers to your Monogram®, GE Profile™ or GE® appliance questions, visit our website at [geappliances.com](http://geappliances.com) or call GE Answer Center® service, 800.626.2000.



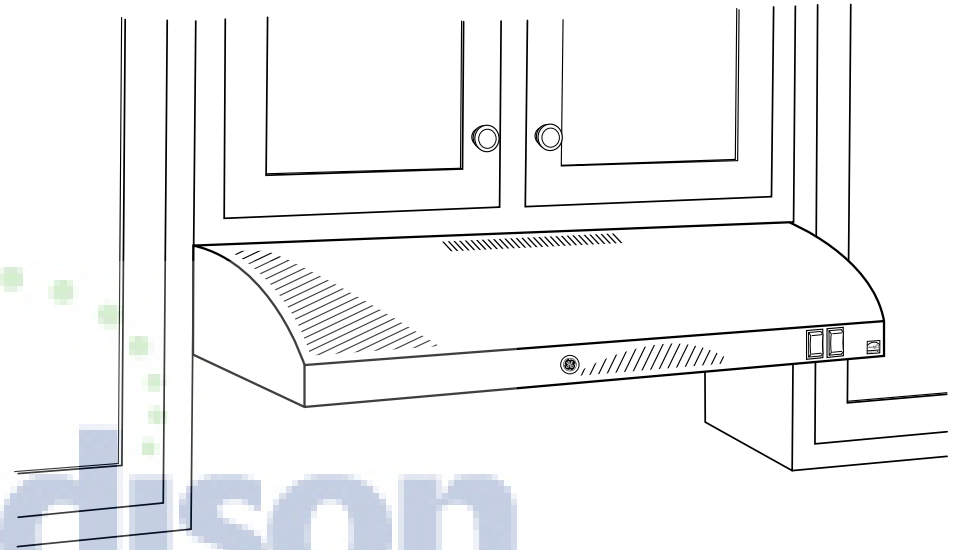
# JVE40DT

## GE® 30" ENERGY STAR® Qualified Ventilation Hood

### Features and Benefits

- ENERGYSTAR qualified - Meets or exceeds federal guidelines for energy efficiency for year-round energy and money savings
- Convertible venting - Hood designed to accommodate a vented configuration, which channels exhaust outside of the home, or a non-vented configuration, which filters and returns the air into the kitchen
- Vertical and rear exhaust - Hood design gives installers total flexibility to connect the exhaust vent to your home's duct work from either the top or rear of the unit
- 2 Fan Speed Selections
- Cooktop light - Enjoy the convenience of light under the hood to help you better see your cooking surface
- Removable grease filter - Durable grease filter collects the grease that builds up from cooking and removes quickly and easily for cleaning
- Round and rectangular ducting - Designed to fit standard round and rectangular duct work for quick and simple installation
- Rectangular damper included - Included damper keeps the vent sealed when it is not in use, so your home's heat doesn't escape
- Model JVE40DTWW - White on white
- Model JVE40DTBB - Black on black

For answers to your Monogram®, GE Profile™ or GE® appliance questions, visit our website at [geappliances.com](http://geappliances.com) or call GE Answer Center® service, 800.626.2000.



imagination at work