

JSP46DP

GE® 30" Slide-In CleanDesign Electric Range

Dimensions and Installation Information

KW Rating	
240V	12.4
208V	9.3

Optional Kits For Slide-In Electric Ranges

(Available at additional cost)

Lower/Side Trim Kits Accessory Backguards

JXS56 - Lower Trim Kit

JXS37 - Backguard

JXS86 - Vertical Side Trim Kit

JXS77 - Body Sides

Rear Filler Strip

WB07T10680 - Black Filler Strip Assembly

WB07T10681 - White Filler Strip Assembly

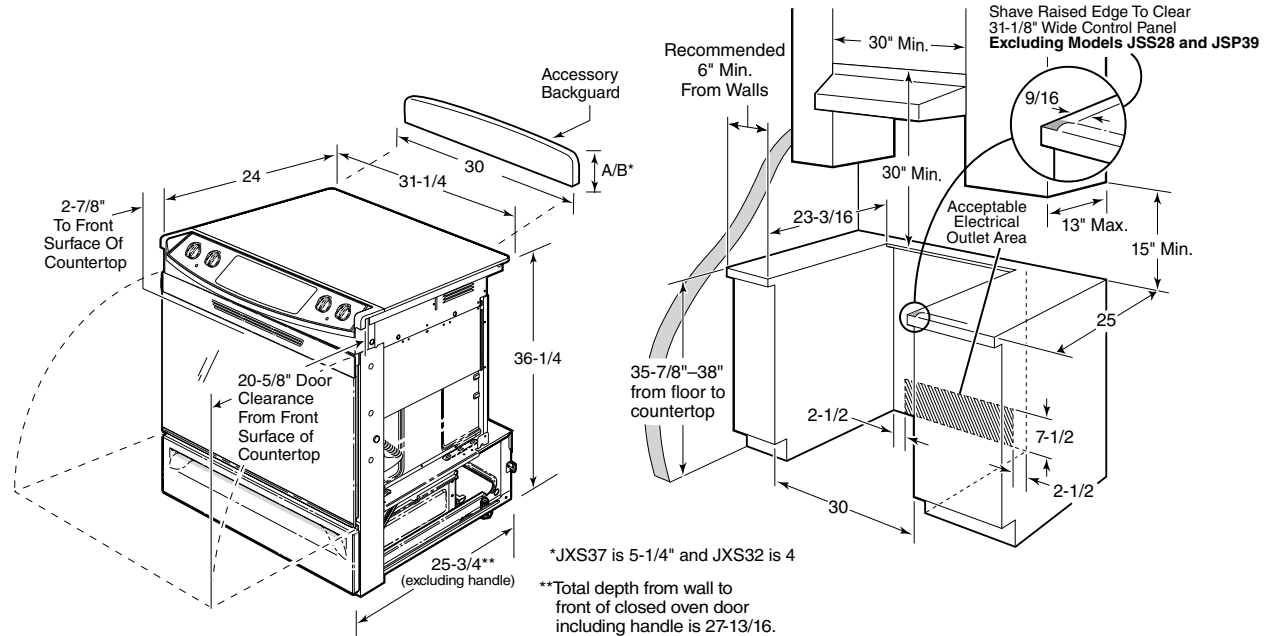
Note: To reduce possibility of scorching of the side wall adjacent to the heating elements, it is recommended a minimum of 6" spacing from adjacent side walls be allowed for possible extended, high-heat, no-load operation of heating elements.

Receptacle Location: For all 30" Slide-In Ranges locally approved flexible service cord or conduit must be used because terminals are not accessible after range installation. See shaded area in drawing for location of electrical outlet box. Recommended outlet locations allow range to be installed directly against rear wall.

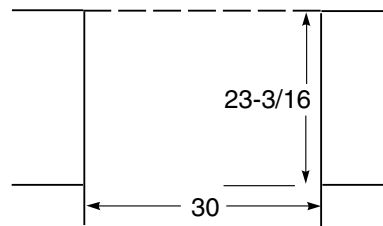
Note: Cabinets installed adjacent to slide-in ranges must have an adhesion spec of at least 194°.

Installation Information: Before installing, consult installation instructions packed with product for current dimensional data.

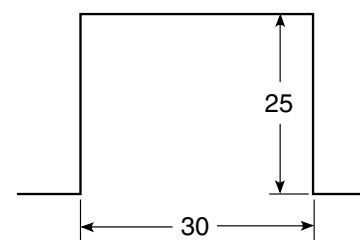
For answers to your Monogram®, GE Profile™ or GE® appliance questions, visit our website at ge.com or call GE Answer Center® service, 800.626.2000.



If you are NOT using the optional Filler or Backguard:



If you are using the optional Filler or Backguard:



Dimension and installation information are shown in inches.



imagination at work



All GE ranges are equipped with an Anti-Tip device. The installation of this device is an important, required step in the installation of the range.



Listed by Underwriters Laboratories

Specification Created 5/09

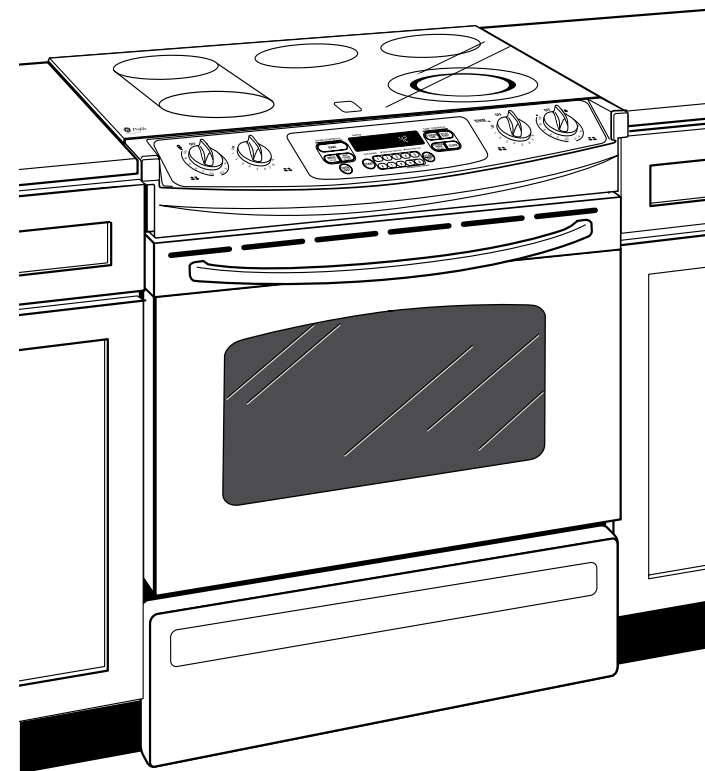
320649

JSP46DP

GE® 30" Slide-In CleanDesign Electric Range

Features and Benefits

- Self-clean Oven - Self-clean allows you to spare yourself from the trouble and effort it takes to scrub the oven interior. The oven does all the work!
- PreciseAir™ Convection System - A reversing fan circulates heat and air for evenly browned and baked foods
- Electronic Oven Controls - Electronic pads on the control panel are easy to operate with just a touch
- Glass Touch Controls - Smooth controls are easy to use and add a sophisticated style to the kitchen
- PowerBoil™ Element - Accommodates various-size pots or pans and 3,000 watts of power speeds the boiling process
- Bridge Element - Combines three cooktop elements into one large cooking area, ideal for griddles and gourmet pans
- Extra-large Oven Capacity - Remarkably large oven interior is ideal for holidays, dinner parties and everyday family cooking
- Two Oven Racks - Includes two oven rack that are sturdy and reliable
- Ribbon Heating Elements - Powerful heat beneath the smooth surface provides high-speed warm-up and even heating
- Big Hearth Window - Elegant shaped window makes it easy to monitor the progress of food
- Frameless Glass Oven Door - Simple and stylish frameless glass door creates an elegant look that blends into cabinetry, and is easy to wipe clean
- Model JSP46DPWW - White on white (white door and white cooktop)
- Model JSP46DPBB - Black on black (black door and black cooktop)



imagination at work

Specification Created 5/09

320649