

JS630DF

GE® 30" Slide-In Electric Range

Dimensions and Installation Information (in inches)

Receptacle Locations: Locally approved flexible service cord or conduit must be used because terminals are not accessible after range installation. See shaded area in drawing for location of electrical outlet box. Recommended outlet locations allow range to be installed directly against rear wall.

Note: This appliance has been approved for 0" spacing to adjacent surfaces above the cooktop. However, a 6" minimum spacing to surfaces less than 15" above the cooktop and adjacent cabinet is recommended to reduce exposure to steam, grease splatter and heat.

Installation Information: Before installing, consult installation instructions for current dimensional data and additional requirements

Optional Kits For Slide-In Electric Ranges

(Available At Additional Cost)

Accessory Backguards

(Attaches to the back of range as a backguard when unit is installed in 30" free-standing cutout)

JXS32SS (Stainless) - 4" High
JXS32BB (Black) - 4" High

Optional Lower Trim Kits

(If counter height is greater than 36.5", a lower trim kit is recommended to extend the useful height to 38" maximum)

JXS56BB - Black

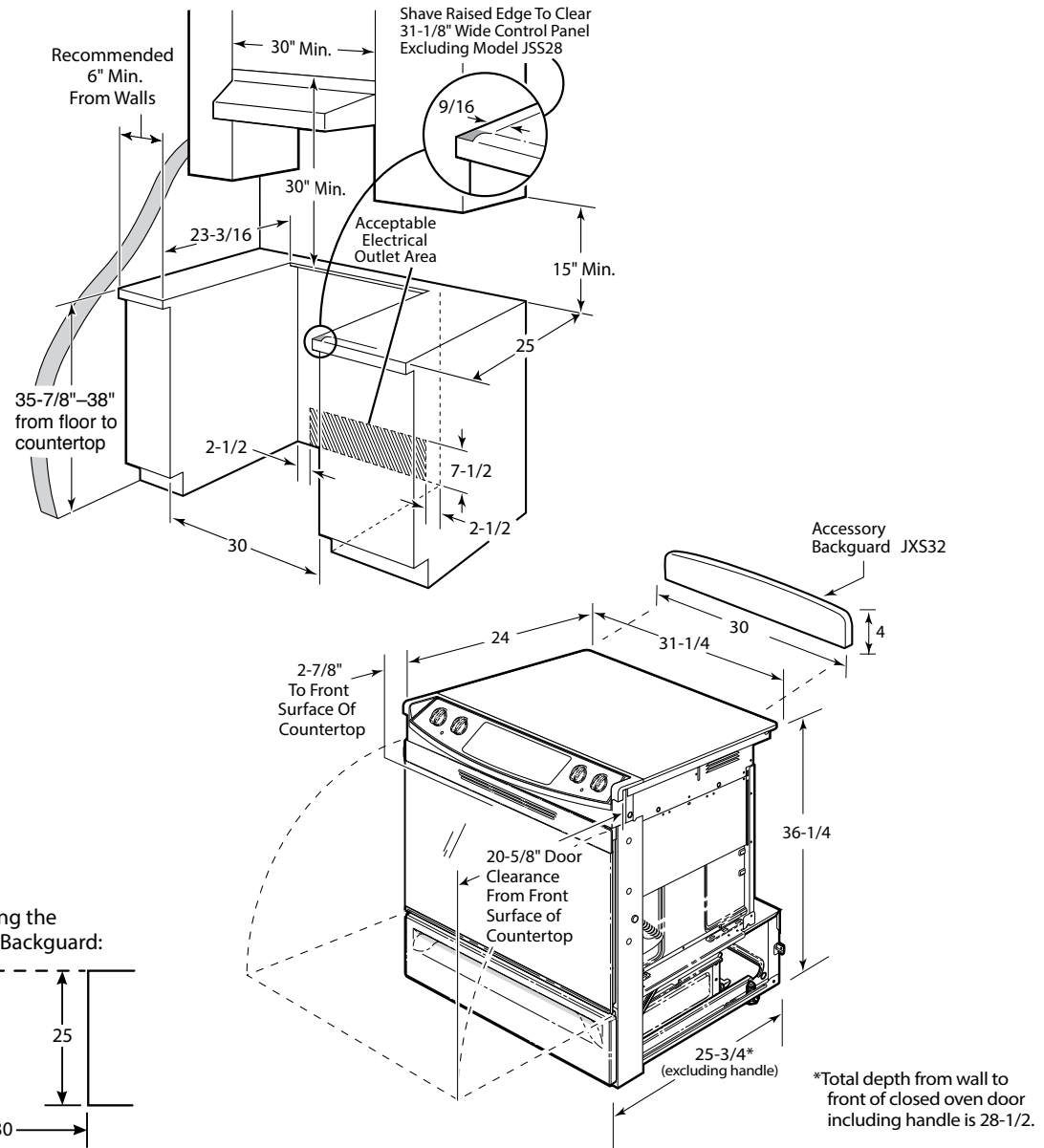
Body Sides

(Slide-in ranges are sold without sides installed. Can be installed on either left or right when unit has one exposed side [no cabinet adjacent]. Kit contains 1 body side)

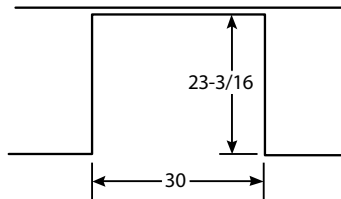
JXS77BB (Black)

Rear Filler Strip

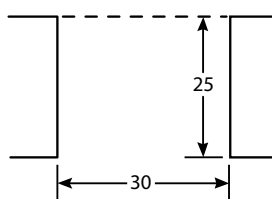
WB07T10680 - Black Filler Strip Assembly



If you are NOT using the Filler strip or Backguard:



If you are using the Filler strip or Backguard:



KW Rating	
240V	11.9
208V	8.9
Breaker Size	
240V	40 Amps†
208V	40 Amps†

†Note: Check local codes for required breaker size.



*ADA qualified based on Uniform Federal Accessibility Standards



All GE ranges are equipped with an Anti-Tip device. The installation of this device is an important, required step in the installation of the range.



Listed by Underwriters Laboratories



For answers to your Monogram® or GE® appliance questions, visit our website at geappliance.com or call GE Answer Center® service, 800.626.2000.

JS630DF

GE® 30" Slide-In Electric Range

Features and Benefits

- 6"/9" Power Boil Element - Produces rapid, powerful heat
- Self-Clean Oven - Cleans the oven cavity without the need for scrubbing
- Ceramic Glass Cooktop - Smooth cooktop easily wipes clean
- Removable Full-Width Storage Drawer - Store cookware or kitchen accessories
- Black Gloss Oven Interior - Enjoy a clean and sleek appearance
- Dual Element Bake - Upper and lower elements produce even heat and great results
- Model JS630DFWW - White on white
- Model JS630DFCC - Bisque on bisque
- Model JS630DFBB - Black on black



imagination at work