

# 1.5 Cu Ft Countertop Microwave with Air Fry

## JMCTC15RB



### Features

#### Built-in Look with Trim Kit

If you opt for the built-in configuration, the additional 30- or 27 trim kit helps achieve a Effortlessly integrate with a seamlessly designed trim kit. This combination countertop microwave with a Fully Flush & Integrated Trim Kit blends in for a clean, finished look when installed in a standard cabinet depth of 12 3/4". (Sold Separately)

#### 3-in-1 Oven

Go beyond expected possibilities with this 3-in-1 Microwave Oven. Air fry, convection bake and roast, or harness classic microwave options including reheat and defrost.

#### Air Fry Mode

Achieve crispy, yet juicy, results on your favorites from french fries to fresh vegetables. Use Air Fry Mode to circulate hot air, crisping food using little to no additional oil.\*

\*When compared to deep frying.

#### Convection Roast

The Roast Function helps maintain the balanced heat distribution required for exceptional roasting by alternating traditional microwave cooking with convection cooking to surround food with heat.

#### Quick Touch Start

Take the guesswork out of choosing settings. All it takes is a single touch to set cook time, add up to 3 minutes or select a convenient preset like popcorn, defrost, cook, soften/melt, reheat or keep warm.



### Product Details

Dimensions	21 3/4" W x 12 1/4" H x 20 15/16" D
Cavity Finish	Stainless - Design Agnostic
Capacity	1.5 Cu Ft
Lighting	1 Interior
Door Release	Push Button

### Product Details (cont.)

Cooking Power	1,000 Watts
Convection Power	1,400 Watts
Grill Power	1,300 Watts

# 1.5 Cu Ft Countertop Microwave with Air Fry

## JMCTC15RB



### Electrical

Observe all governing codes and ordinances.

**Required:**

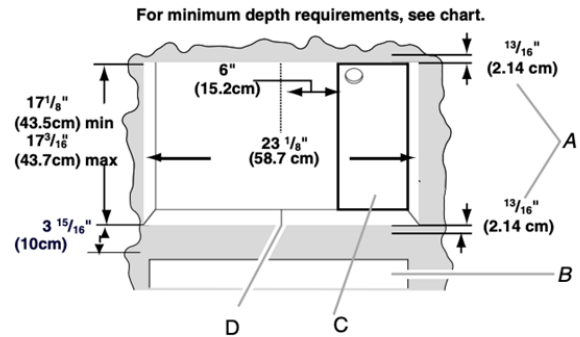
- A 120 V, 60 Hz, AC only, 15 A or 20 A electrical supply with a fuse or circuit breaker.

**Recommended:**

- A time-delay fuse or time-delay circuit breaker.
- A separate circuit serving only this microwave oven.

### Cutout Dimensions

#### Required Cutout Dimensions



- A. Trim kit frame overhang
- B. Cutout for lower oven
- C. Recommended region for receptacle location (no less than 6" [15.2 cm] to the right of cutout centerline)
- D. Cutout centerline

Receptacle Location	Minimum Depth
Within recommended region	21 <sup>9</sup> / <sub>16</sub> " (54.8 cm) with flush receptacle; 23 <sup>9</sup> / <sub>16</sub> " (59.8cm) with non-flush receptacle
Outside recommended region	23 <sup>9</sup> / <sub>16</sub> " (59.8 cm) with flush receptacle; 25 <sup>9</sup> / <sub>16</sub> " (64.9 cm) with non-flush receptacle

**NOTES:**

- Depth requirements depend upon receptacle and its location within or outside of recommended region. See illustration and chart above.
- Height dimension is critical: 17 1/8" (43.5 cm) minimum, 17 3/16" (43.7 cm) minimum.
- Width measurement has ±1/16" (2 mm) tolerance.
- 3<sup>15</sup>/<sub>16</sub>" (10 cm) minimum dimension is from lower oven cutout ceiling to microwave oven cutout floor.
- Trim kit frame extends 13/16" (2.14 cm) above and below the cutout opening.

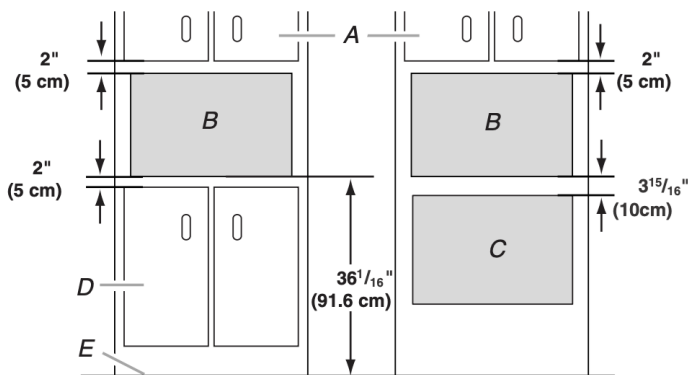
### Built-in Installation Types

#### Location Requirements

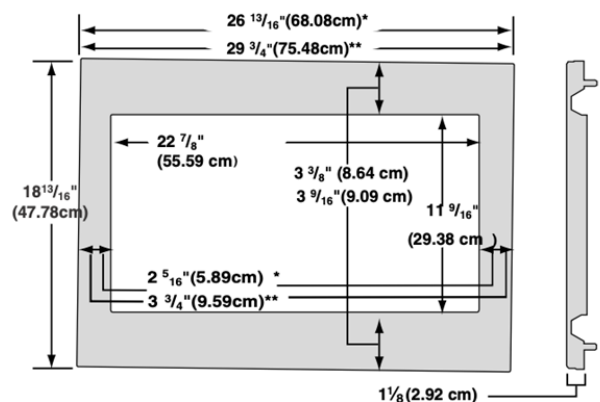
The microwave oven may be installed over a built-in oven. If installing over a built-in oven, make sure there is a minimum of 3<sup>15</sup>/<sub>16</sub>" (10cm) between the top of the lower oven cutout and the microwave oven cutout floor.

The microwave oven may also be installed in a cabinet by itself (without a built-in oven below). For best usability, we recommend a minimum distance of 36<sup>1</sup>/<sub>16</sub>" (91.6 cm) from the floor to the cutout floor.

Make sure the surrounding cabinetry has clearance to open and close freely. Allow a clearance of at least 2" (5 cm) below the cutout floor (3<sup>15</sup>/<sub>16</sub>" [10 cm] for installation above a built-in oven), and a clearance of at least 2" (5 cm) above the cutout opening.



- A. Upper cabinet
- B. Microwave oven cutout
- C. Lower oven cutout
- D. Lower cabinets
- E. Floor



- \*27" (68.6 cm) trim kit
- \*\*30" (76.2 cm) trim kit

### Resources

[Owner's Manual](#)

[Dimensions](#)

[Quick Start Guide](#)