

JGSP42DET

GE® 30" Slide-In Gas Range

Dimensions and Installation Information (in inches)

You must use the rear filler strip kit shipped with the range or the optional accessory backguard when installing these ranges

Note: Cabinets installed adjacent to slide-in ranges must have an adhesion spec of at least 194° temperature rating.

Optional Kits for Slide-In Gas Ranges:

(Available at additional cost)

Lower/Side Trim Kits

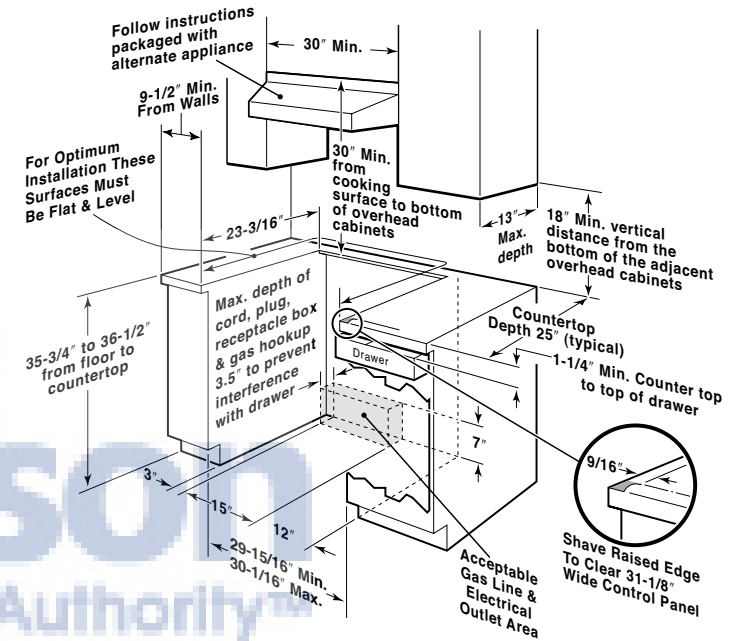
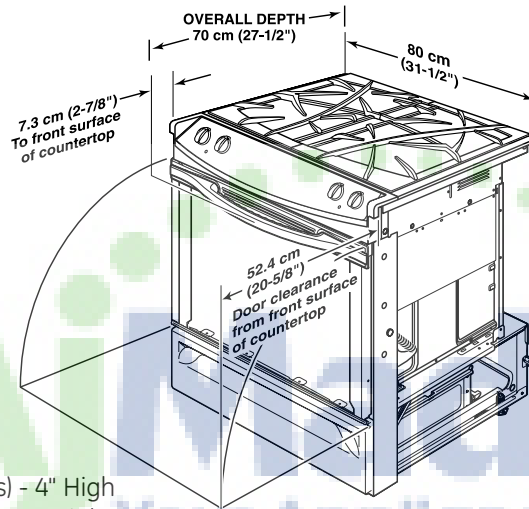
- JXS56BB - Lower Trim Kit (Black)
- JXS56WW - Lower Trim Kit (White)
- JXS56CC - Lower Trim Kit (Bisque)
- JXS77BB - Side Trim Kit (Black)
- JXS77WW - Side Trim Kit (White)
- JXS77CC - Side Trim Kit (Bisque)

Accessory Backguards

- JXS32BB (Black) - 4" High
- JXS32CC (Bisque) - 4" High
- JXS37BB (Black) - 5-1/4" High
- JXS37CC (Bisque) - 5-1/4" High
- JXS32SS (Stainless) - 4" High
- JXS32WW (White) - 4" High
- JXS37WW (White) - 5-1/4" High

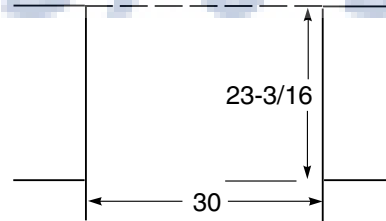
Installation Information: Before installing, consult installation instructions packed with product for current dimensional data.

For answers to your Monogram®, GE Profile™ or GE® appliance questions, visit our website at geappliances.com or call GE Answer Center® service, 800.626.2000.

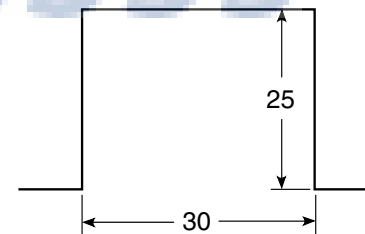


Counter Cutout Dimensions (in inches)

If you are NOT using the optional Filler or Backguard:



If you are using the optional Filler or Backguard:



imagination at work



All GE ranges are equipped with an Anti-Tip device. The installation of this device is an important, required step in the installation of the range.



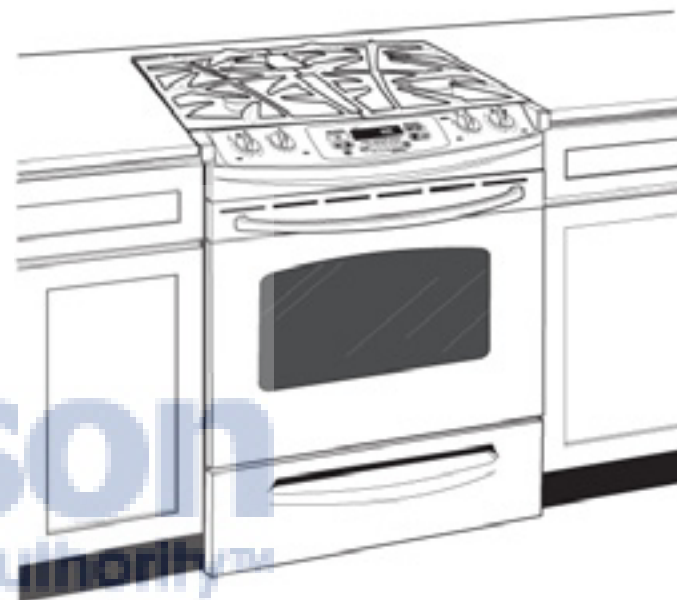
Listed by Underwriters Laboratories

JGSP42DET

GE® 30" Slide-In Gas Range

Features and Benefits

- Deep-recessed cooktop - Deep-recessed cooktop contains spills in one area that's easy to wipe clean
- Self-clean oven - Self-clean allows you to spare yourself from the trouble and effort it takes to scrub the oven interior
- PowerBoil™ Burner - Delivers 15,000 BTUs of forceful heat for rapid boiling
- Precise Simmer burner - Allows for low, even heat distribution that is ideal for delicate foods and sauces
- Heavy duty knobs - Add durability and brushed chrome for enhanced style and performance
- Extra-large oven capacity - Ideal for special occasions and big meals, the extra large oven interior allows more to cook at once
- Continuous grates - Connected cooktop grates provide a sturdy, uninterrupted surface that allows pots and pans to move easily
- Dishwasher-safe grates - Grates are safe for the dishwasher so cleaning is as easy as ever
- Three heavy-duty oven racks - Three sturdy oven racks give you more opportunities to cook more food once
- TrueTemp™ oven system - This feature helps ensure the temperature you set is the temperature you get to give you the baking and broiling performance you desire
- Model JGSP42DETTW - White on white
- Model JGSP42DETTB - Black on black



imagination at work

Specification Created 7/11

330234