

JGS650DEF

GE® 30" Slide-In Gas Range

Dimensions and Installation Information (in inches)

Note: Door handle protrudes 3" from door face. Cabinets and drawers on adjacent 45° and 90° walls should be placed to avoid interference with the handle.

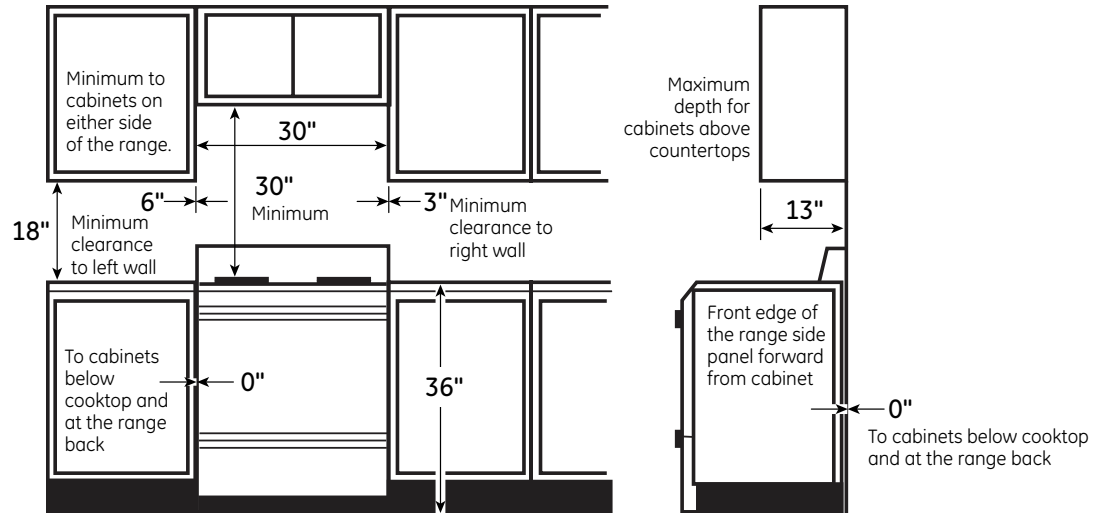
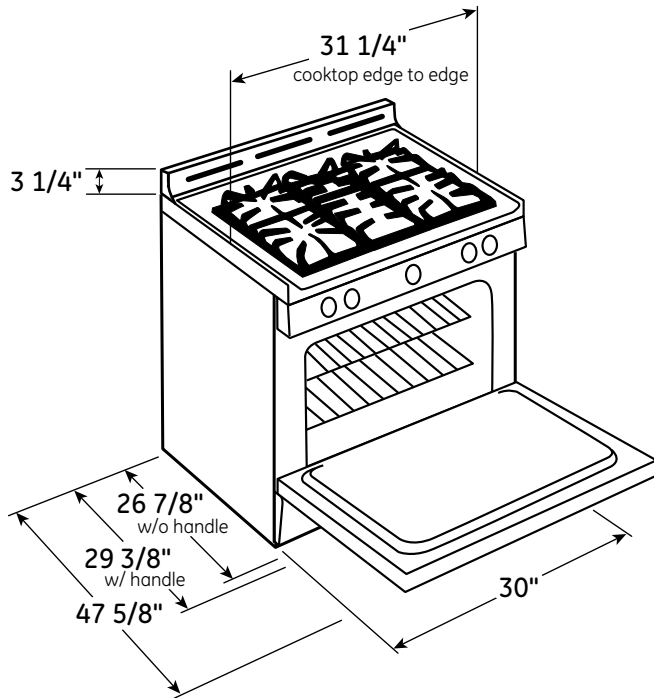
Note: Cabinets installed adjacent to slide-in ranges must have an adhesion spec of at least 194° temperature rating.

Installation Information: Before installing, consult installation instructions packed with product for current dimensional data.

GAS PIPE AND ELECTRICAL OUTLET LOCATIONS

Recommended area for 120V outlet on rear wall and area for through-the-wall connection of pipe stub and shut-off valve.

Recommended area for through-the-floor connection of pipe stub and shut-off valve.



imagination at work

For answers to your Monogram® or GE® appliance questions, visit our website at geappliances.com or call GE Answer Center® service, 800.626.2000.



*ADA qualified based on Uniform Federal Accessibility Standards



All GE ranges are equipped with an Anti-Tip device. The installation of this device is an important, required step in the installation of the range.



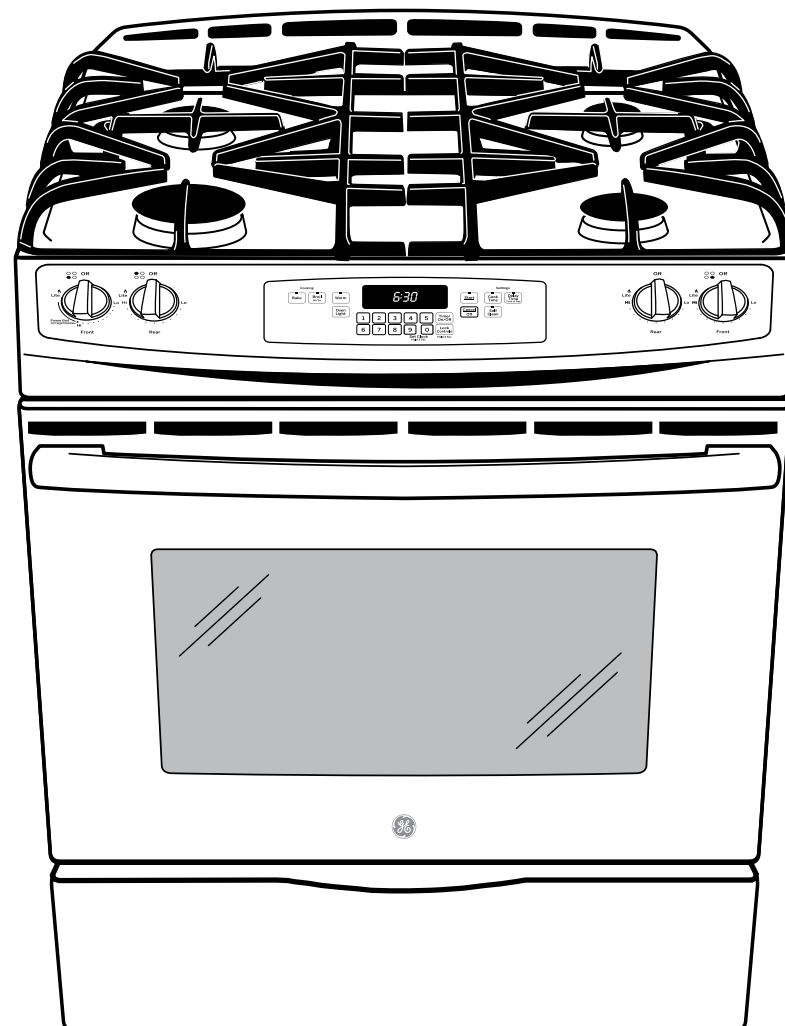
Listed by Underwriters Laboratories

JGS650DEF

GE® 30" Slide-In Gas Range

Features and Benefits

- 15,000 BTU Power Boil burner - Delivers high heat for fast boiling
- Precise Simmer Burner - Delicate foods don't burn with low, even heat
- Heavy-Cast, Continuous Grates - Allow for easy movement of pans between burners
- Deep-Recessed Cooktop - Contains spills for quick and easy cleaning
- Self-Clean Oven - Cleans the oven cavity without the need for scrubbing
- 5.6 cu. ft. Oven Capacity - Cook more dishes at once
- Model JGS650DEFWW - White on white
- Model JGS650DEFBB - Black on black



imagination at work