

# JGBS80SEM

## GE® 30" Free-Standing Standard Clean Gas Range

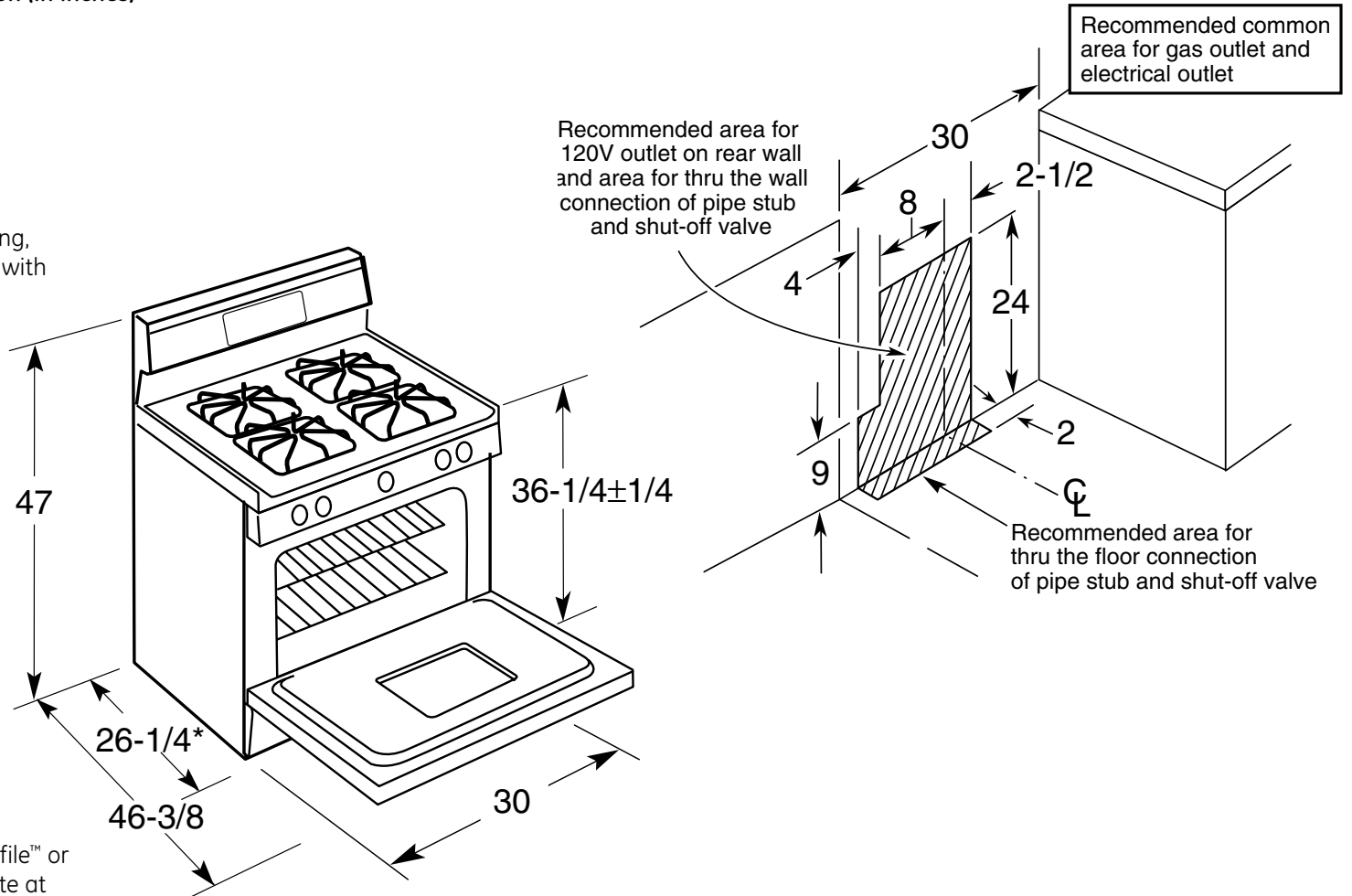
### Dimensions and Installation Information (in inches)

Factory set for Natural gas. A set of LP orifices is included with each range for LP conversion.

**Gas Self-Clean Range Anti-Tip Bracket (Part No. 205C1714P001)**

**Electrical Rating:** 120V, 60Hz, 5A

**Installation Information:** Before installing, consult installation instructions packed with product for current dimensional data.



For answers to your Monogram,® GE Profile™ or GE® appliance questions, visit our website at [ge.com](http://ge.com) or call GE Answer Center® service, 800.626.2000.



imagination at work



All GE ranges are equipped with an Anti-Tip device. The installation of this device is an important, required step in the installation of the range.



Specification Created 5/07

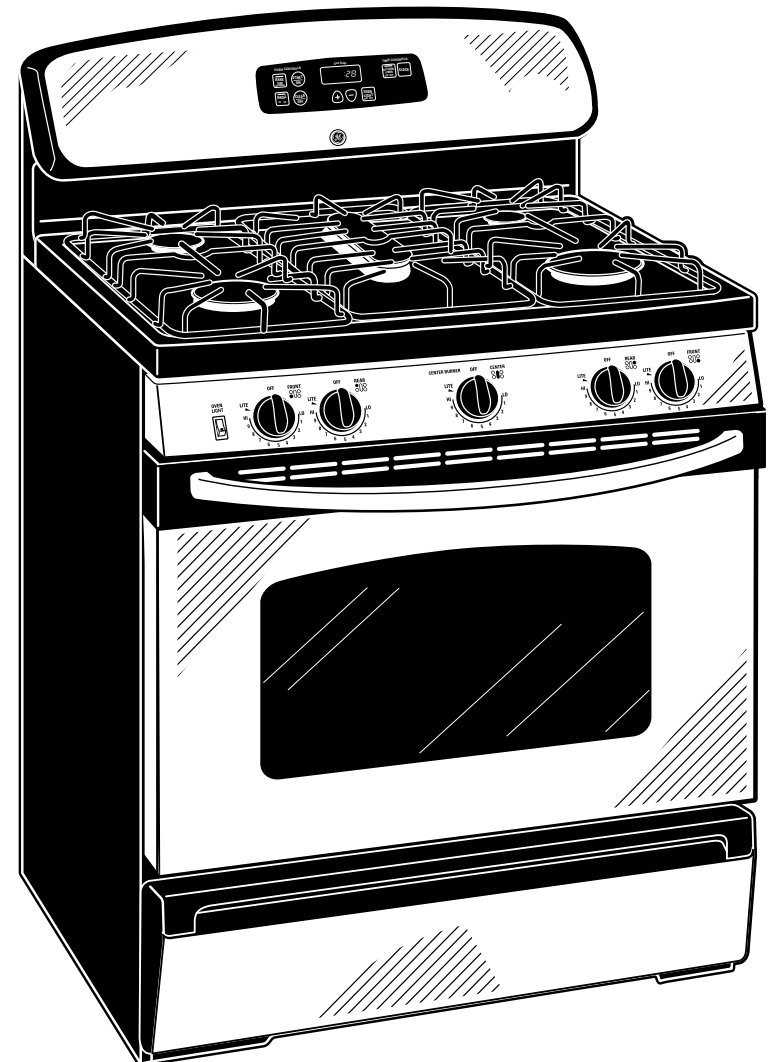
330570

# JGBS80SEM

## GE® 30" Free-Standing Standard Clean Gas Range

### Features and Benefits

- Standard Clean Oven - Offers a traditional oven design that requires hand cleaning
- Extra-Large Oven Capacity - Provides a large oven interior ideal for cooking more items at once
- Deep Recessed Cooktop - Designed with a recessed surface to help contain spills and make cleaning easy
- Center Oval Burner - Adds a fifth element to the center of the cooktop, ideal for griddle or odd-size cookware
- Non-Stick Griddle - Offers a flat cooking surface, placed over the center oval burner, for cooking multiple foods at once
- PowerBoil™ Burner - Delivers 15,000 BTUs of forceful heat for rapid boiling
- Broiler Drawer - Supplies a concentrated heat for crisping and browning
- Electronic Clock - Features an easy-to-use design that allows the time to be easily viewed
- Precise Simmer Burner - Offers a low setting of 600 BTUs, ensuring more temperature control for simmering
- Sealed Cooktop Burners - Eliminate the space between the burners and the cooktop to help contain spills and boil over liquids, ensuring easy cleanup
- Model JGBS80SEMSS - Stainless steel



imagination at work