

JGBS62DEK/REK

GE® 30" Free-Standing Gas Range

DIMENSIONS AND INSTALLATION INFORMATION (IN INCHES)

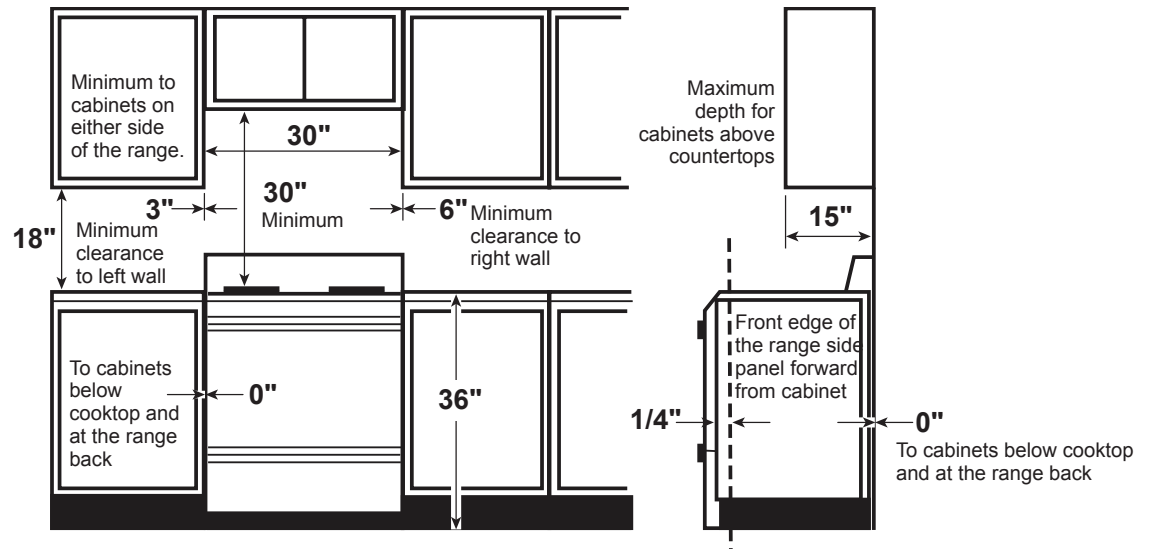
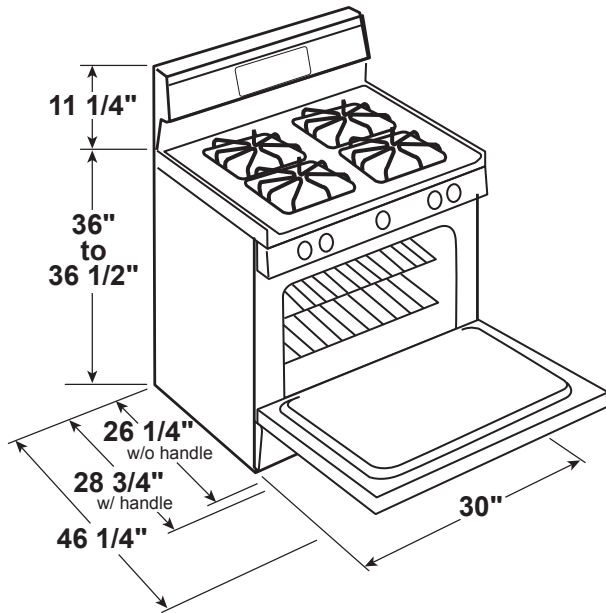
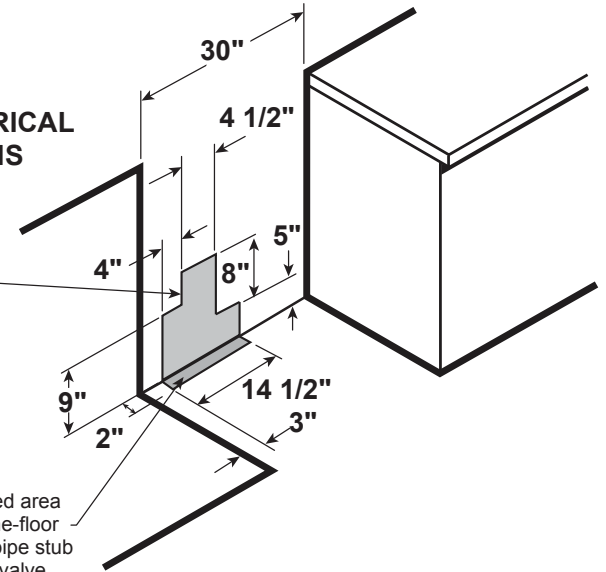
ELECTRICAL RATING: 120V, 60Hz, 15A

INSTALLATION INFORMATION: Before installing, consult installation instructions packed with product for current dimensional data.

GAS PIPE AND ELECTRICAL OUTLET LOCATIONS

Recommended area for 120V outlet on rear wall and area for through-the-wall connection of pipe stub and shut-off valve.

Recommended area for through-the-floor connection of pipe stub and shut-off valve.



For answers to your Monogram, GE Café™ Series, GE Profile™ Series or GE Appliances product questions, visit our website at geappliances.com or call GE Answer Center® Service, 800.626.2000.



All GE ranges are equipped with an Anti-Tip device. The installation of this device is an important, required step in the installation of the range.



JGBS62DEK/REK

GE® 30" Free-Standing Gas Range

FEATURES AND BENEFITS

15,000 BTU Power Boil burner – Delivers high heat for fast boiling

Two-piece continuous edge-to-edge cooktop – A large, continuous cooking surface gives you extra room for pots and pans of all sizes and lets cookware move easily from burner to burner

Steam clean – Helps to clean with the power of steam

Precise Simmer burner – Delicate foods don't burn with low, even heat

Sealed cooktop burners – Contains spills and make cleaning quick and easy

5.0 cu. ft. oven capacity – Enough room to cook an entire meal at once

Model JGBS62DEKBB – Black on black

Model JGBS62DEKWW – White on white

Model JGBS62REKSS – Stainless steel

