

JGBS23DET

GE® 30" Free-Standing Gas Range with Steam Clean

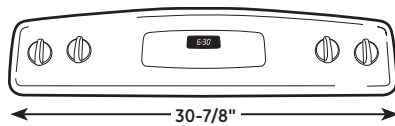
Dimensions and Installation Information (in inches)

Factory set for Natural gas. A set of LP orifices is included with each range for LP conversion.

Gas Self-Clean Range Anti-Tip Bracket
(Part No. 205C1714P001)

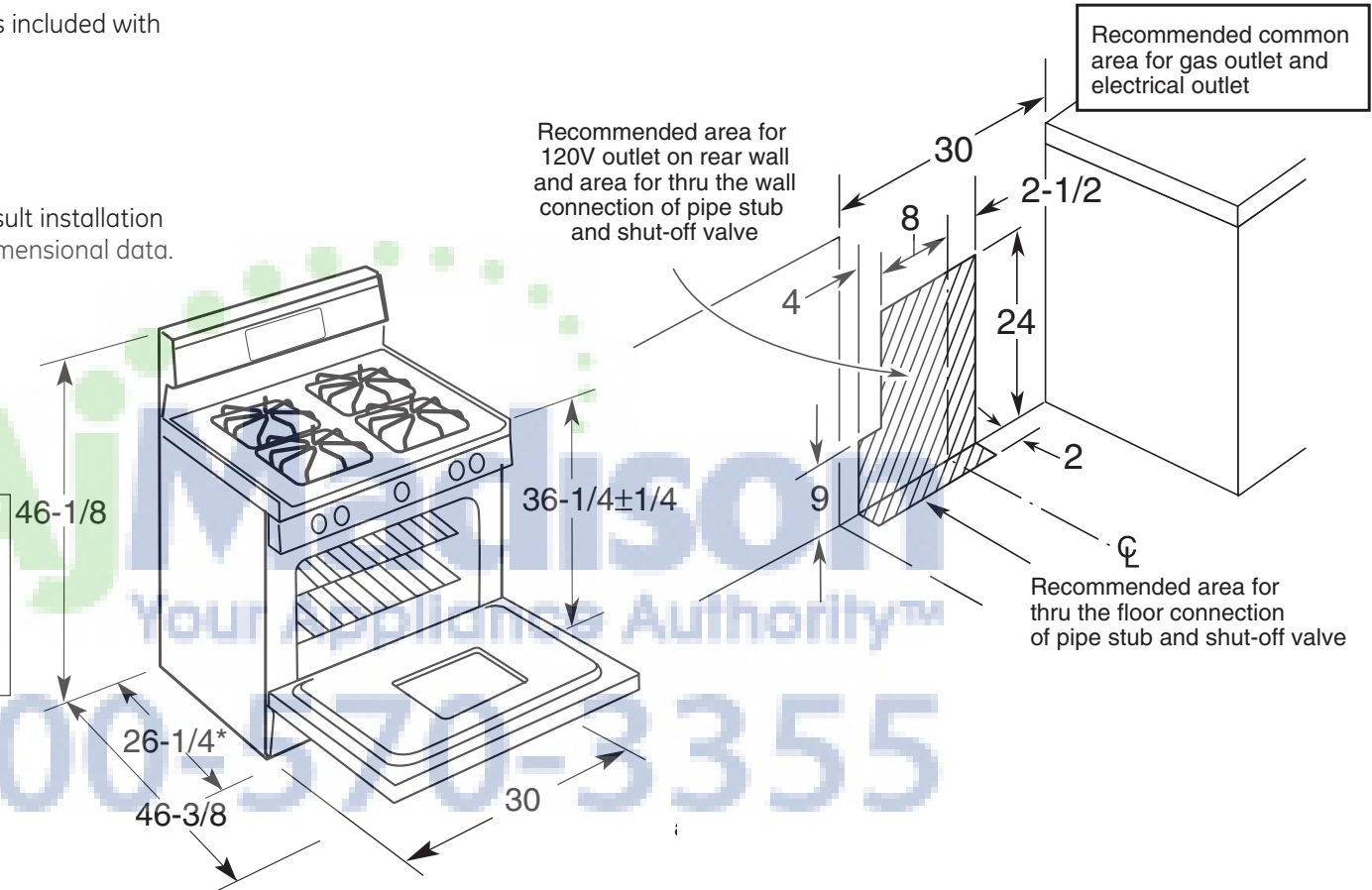
Electrical Rating: 120V, 60Hz, 5A

Installation Information: Before installing, consult installation instructions packed with product for current dimensional data.



All 30" GE gas and electric range backguards are 30-7/8" wide.*

*Except these models: JGBS07, JGBS04, JGBP90, all GE Profile free-standing electric and gas ranges
Fits most countertop backsplash applications.
Consult Use & Care Manual for detailed installation instructions.



*Dimension from wall to front of closed door handle is 29".

For answers to your Monogram®, GE Profile™ or GE® appliance questions, visit our website at geappliances.com or call GE Answer Center® service, 800.626.2000.



All GE ranges are equipped with an Anti-Tip device. The installation of this device is an important, required step in the installation of the range.



JGBS23DET

GE® 30" Free-Standing Gas Range with Steam Clean

Features and Benefits

- 4.8 cu. ft. capacity - More room for cooking more dishes at once
- Steam clean cycle - The power of steam loosens baked-on foods and assists in oven cleaning
- High output burner - This 12,500 BTU burner element provides the high heat ideal for frying or sautéing and fast heat-up
- Precise simmer burner - Delivers a low setting of 140 degrees, ideal for delicate foods and sauces
- Big hearth window - Elegant shaped window makes it easy to monitor the progress of food
- Model JGBS23DETTWW - White on white (white door and white cooktop)
- Model JGBS23DETTCC - Bisque on bisque (bisque door and bisque cooktop)
- Model JGBS23DETTBB - Black on black (black door and black cooktop)

