

# JGBP33SET

## GE® 30" Free-Standing Gas Range

### Dimensions and Installation Information (in inches)

#### Optional Gas Range Accessory Drip Pans for Sealed and Standard Burner Models

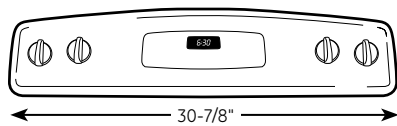
(Available at additional cost)

To order these accessory drip pans, call toll-free 800-626-2002

#### Gas Self-Clean Range Anti-Tip Bracket (Part No. 205C1714P001)

**Electrical Rating:** 120V, 60Hz, 5A

**Installation Information:** Before installing, consult installation instructions packed with product for current dimensional data.

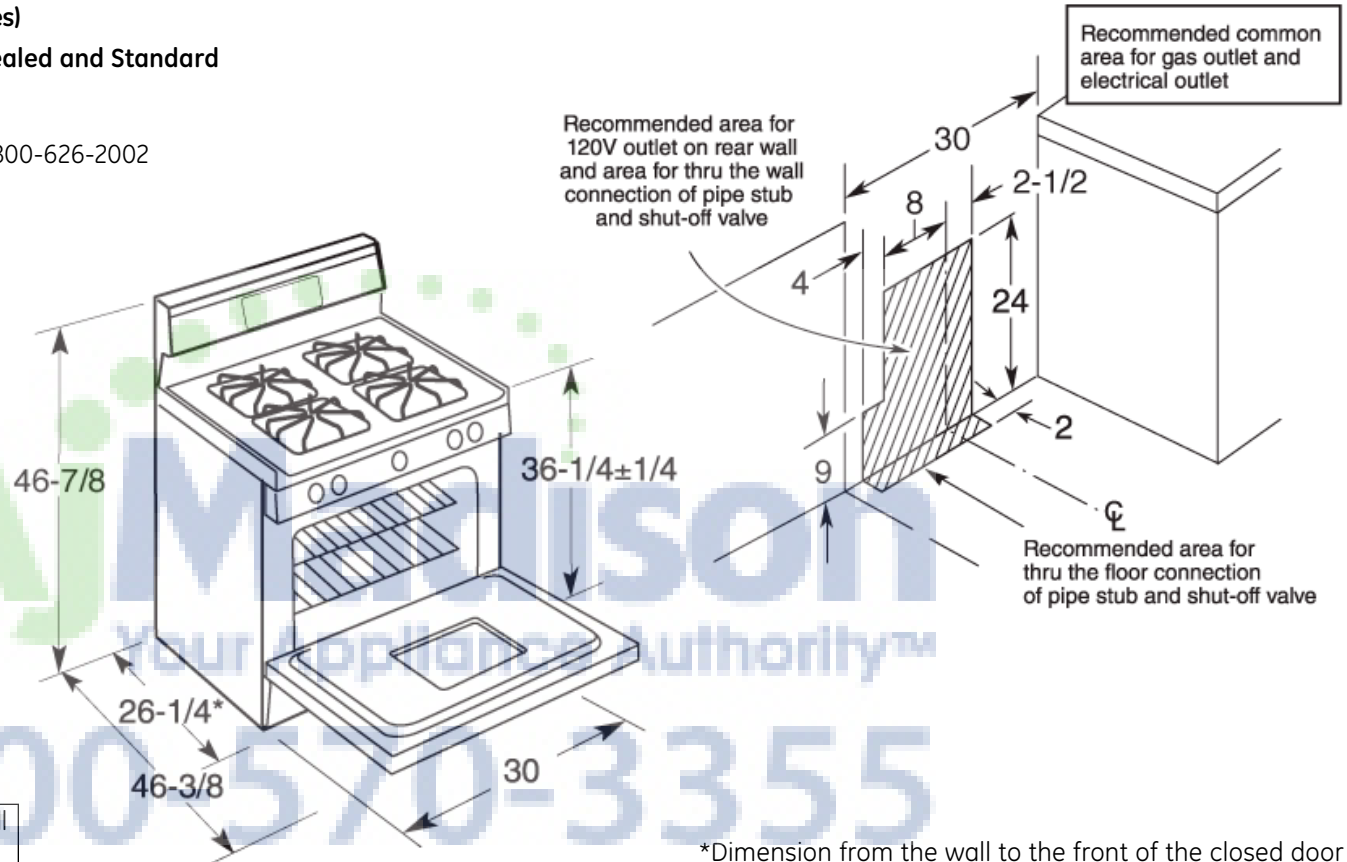


All 30" GE gas and electric range backguards are 30-7/8" wide.\*

**Note:** 30" ranges conform to U.L. requirements for 0" spacing from adjacent walls below countertops. To reduce possible scorching of walls, engineering recommends a minimum of 1-1/2" spacing to allow for possible extended, high heat, no-load heating element operation.

\*Except these models: JGBS07, JGBS04, JGBP90, all GE Profile free-standing electric and gas ranges. Fits most countertop backsplash applications. Consult Use & Care Manual for detailed installation instructions.

For answers to your Monogram®, GE Profile™ or GE® appliance questions, visit our website at [geappliances.com](http://geappliances.com) or call GE Answer Center® service, 800.626.2000.



\*Dimension from the wall to the front of the closed door handle is 28-1/4". Depth to the front edge of cooktop 25-1/4".



imagination at work



All GE ranges are equipped with an Anti-Tip device. The installation of this device is an important, required step in the installation of the range.



# JGBP33SET

## GE® 30" Free-Standing Gas Range

### Features and Benefits

- Self-clean oven - Self-clean allows you to spare yourself from the trouble and effort it takes to scrub the oven interior
- 4.8 cu. ft. capacity - More room for cooking more dishes at once
- TrueTemp™ oven system - This feature helps ensure the temperature you set is the temperature you get, with less variance, to give you the baking and broiling performance you desire
- QuickSet IV Oven Controls - Feature an easy to use design which allows you to set precise cooking temperatures
- Precise Simmer burner - Allows for low, even heat distribution that is ideal for delicate foods and sauces
- High Output Burner - Provides a powerful burner output for efficient heat-up and boiling
- All purpose burners - All-purpose burner delivers two levels of BTU output to accommodate virtually all your cooking needs
- Medium cast grates - Medium-duty steel grates deliver reliable cooktop performance for years to come
- Sealed cooktop burners - Burner elements are sealed to the cooktop to keep foods and liquid contained on the cooktop, making cleaning painless
- Frameless glass oven door - Simple and stylish frameless glass door creates an elegant look that blends into cabinetry, and is easy to wipe clean
- Model JGBP33SETSS – Stainless steel



imagination at work