

JGBP28DET

GE® 30" Free-Standing Gas Range

Dimensions and Installation Information (in inches)

Optional Gas Range Accessory Drip Pans for Sealed and Standard Burner Models

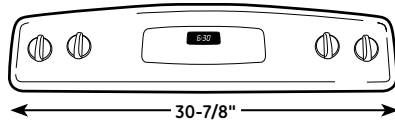
(Available at additional cost)

To order these accessory drip pans, call toll-free 800-626-2002

Gas Self-Clean Range Anti-Tip Bracket (Part No. 205C1714P001)

Electrical Rating: 120V, 60Hz, 5A

Installation Information: Before installing, consult installation instructions packed with product for current dimensional data.

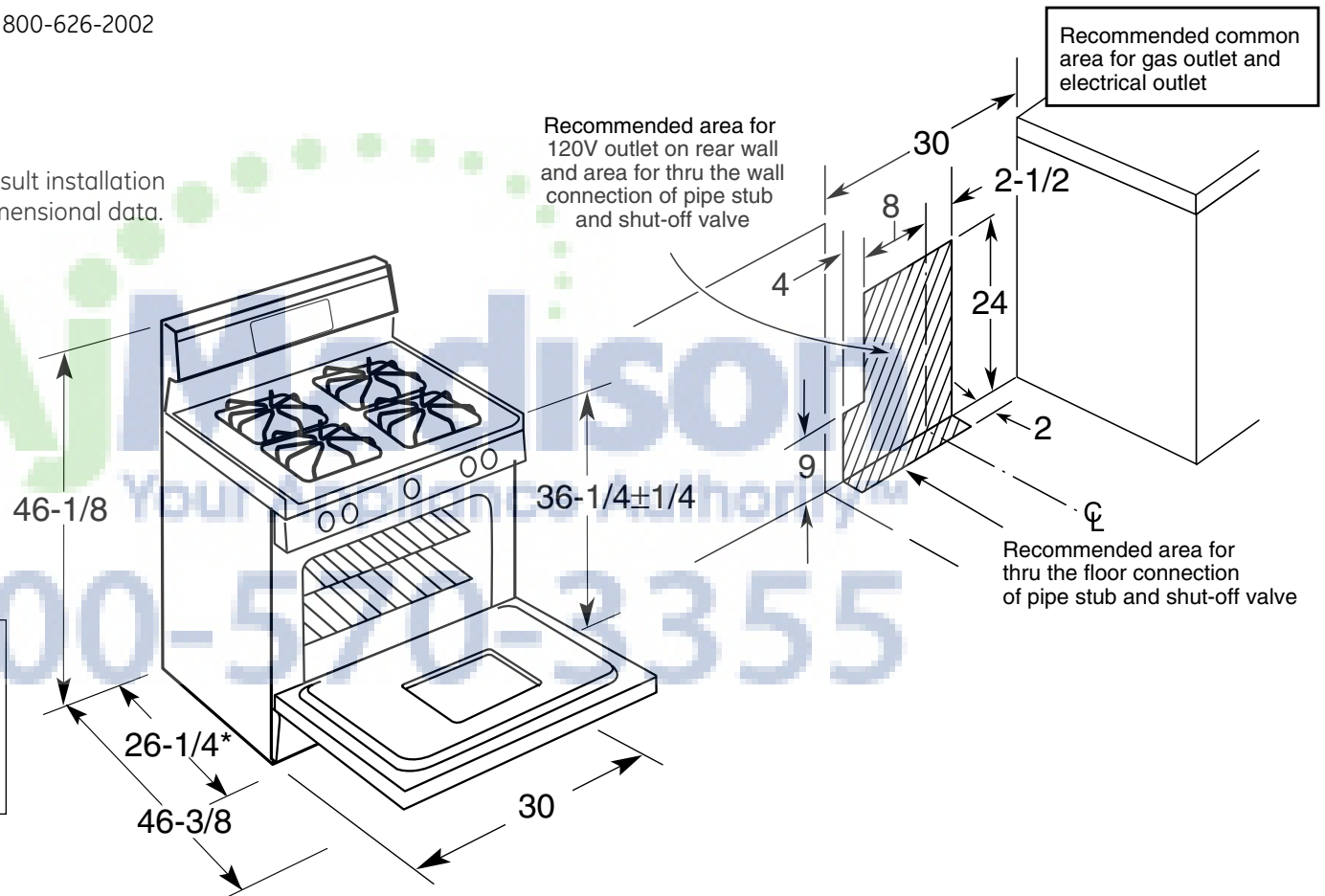


All 30" GE gas and electric range backguards are 30-7/8" wide.*

Note: 30" ranges conform to U.L. requirements for 0" spacing from adjacent walls below countertops. To reduce possible scorching of walls, engineering recommends a minimum of 1-1/2" spacing to allow for possible extended, high heat, no-load heating element operation.

*Except these models: JGBS07, JGBS04, JGBP90, all GE Profile free-standing electric and gas ranges
Fits most countertop backsplash applications. Consult Use & Care Manual for detailed installation instructions.

For answers to your Monogram®, GE Profile™ or GE® appliance questions, visit our website at geappliances.com or call GE Answer Center® service, 800.626.2000.



*Dimension from wall to front of closed door handle is 29".



All GE ranges are equipped with an Anti-Tip device. The installation of this device is an important, required step in the installation of the range.

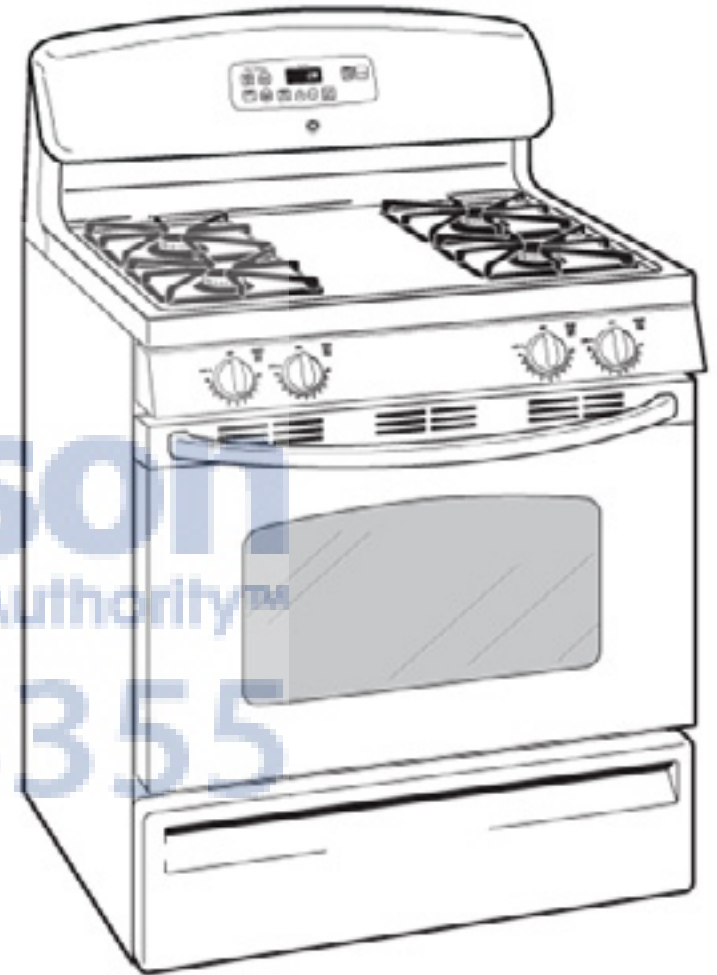


JGBP28DET

GE® 30" Free-Standing Gas Range

Features and Benefits

- Self-clean oven - Self-clean allows you to spare yourself from the trouble and effort it takes to scrub the oven interior
- 4.8 cu. ft. capacity - More room for cooking more dishes at once
- TrueTemp™ oven system - This feature helps ensure the temperature you set is the temperature you get, with less variance, to give you the baking and broiling performance you desire
- Precise Simmer burner - Allows for low, even heat distribution that is ideal for delicate foods and sauces
- Sealed cooktop burners - Burner elements are sealed to the cooktop to keep foods and liquid contained on the cooktop, making cleaning painless
- QuickSet III Oven Controls - Feature an easy to use design that lets you set precise cooking temperatures
- Frameless glass oven door - Simple and stylish frameless glass door creates an elegant look that blends into cabinetry, and is easy to wipe clean
- Two oven racks - Includes two oven racks that are sturdy and reliable
- Big hearth window - Elegant shaped window makes it easy to monitor the progress of food
- Model JGBP28DETTWW - White on white
- Model JGBP28DETTBB - Black on black



imagination at work