

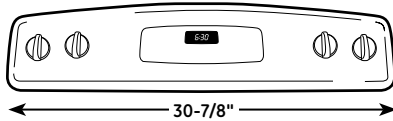
JGB840SET

GE® 30" Free-Standing Gas Range with Baking Drawer

Dimensions and Installation Information (in inches)

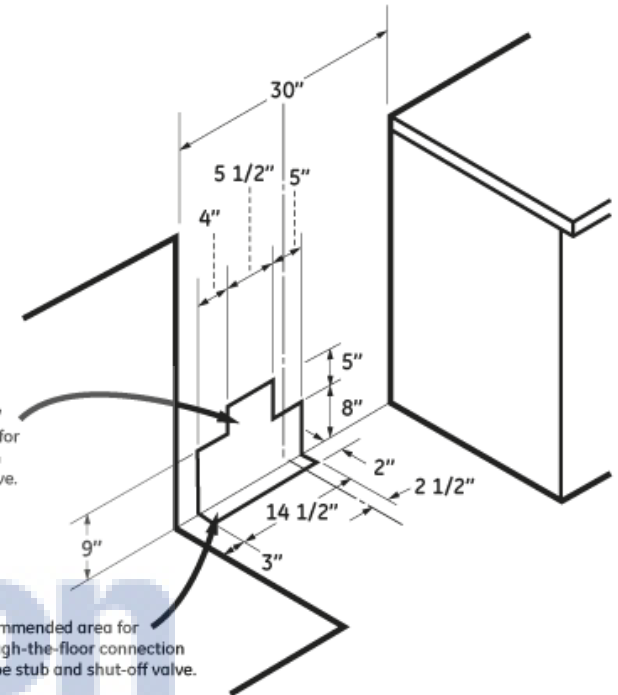
Electrical Rating: 120V, 60Hz, 9A

Installation Information: Before installing, consult installation instructions packed with product for current dimensional data.

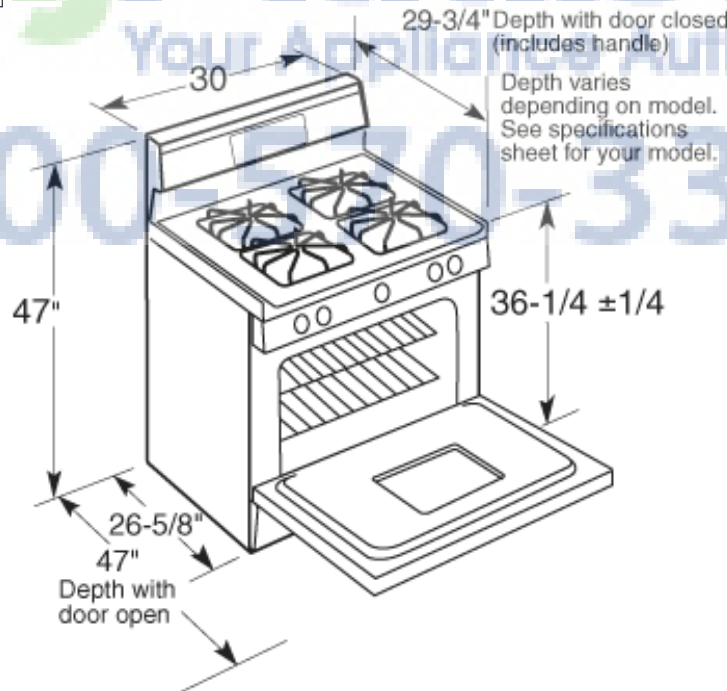


All 30" GE gas and electric range backguards are 30-7/8" wide.*

*Except these models: JGBS07, JGBS04, JGBP90, all GE Profile free-standing electric and gas ranges
Fits most countertop backsplash applications.
Consult Use & Care Manual for detailed installation instructions.



AjMadison
Your Appliance Authority™
800-520-3355



For answers to your Monogram,® GE Profile™ or GE® appliance questions, visit our website at geappliances.com or call GE Answer Center® service, 800.626.2000.



imagination at work



All GE ranges are equipped with an Anti-Tip device. The installation of this device is an important, required step in the installation of the range.



Specification Created 4/11

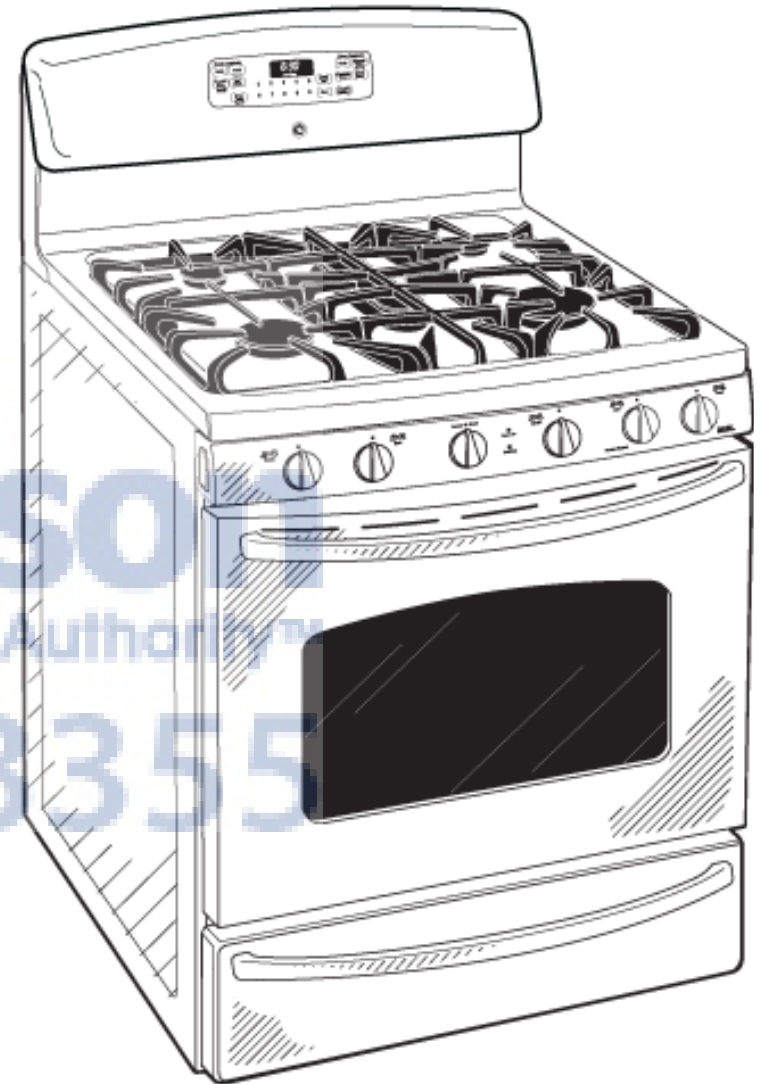
330590

JGB840SET

GE® 30" Free-Standing Gas Range with Baking Drawer

Features and Benefits

- Self-clean oven - Conveniently cleans the oven cavity without the need for scrubbing
- 5.0 cu. ft. oven capacity - Enough room to cook an entire meal at once
- Gas convection oven - Circulates air throughout the oven cavity ensuring better baking and roasting results
- Baking drawer - Offers an additional 1.0 cu. ft. of capacity for convenient baking from 140° to 450°
- Reversible cast-iron griddle/grill - Provides the flexibility to sear meats on the grill and cook delicate meals on the griddle
- Model JGB840SETSS - Stainless steel



AjMadison
Your Appliance Authority™
800-570-3355



imagination at work