

JGB282SET

GE® 30" Free-Standing Gas Range

Dimensions and Installation Information (in inches)

Optional Gas Range Accessory Drip Pans for Sealed and Standard Burner Models

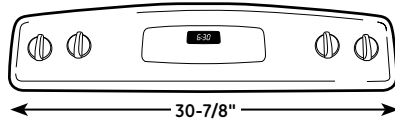
(Available at additional cost)

To order these accessory drip pans, call toll-free 800-626-2002

Gas Self-Clean Range Anti-Tip Bracket (Part No. 205C1714P001)

Electrical Rating: 120V, 60Hz, 5A

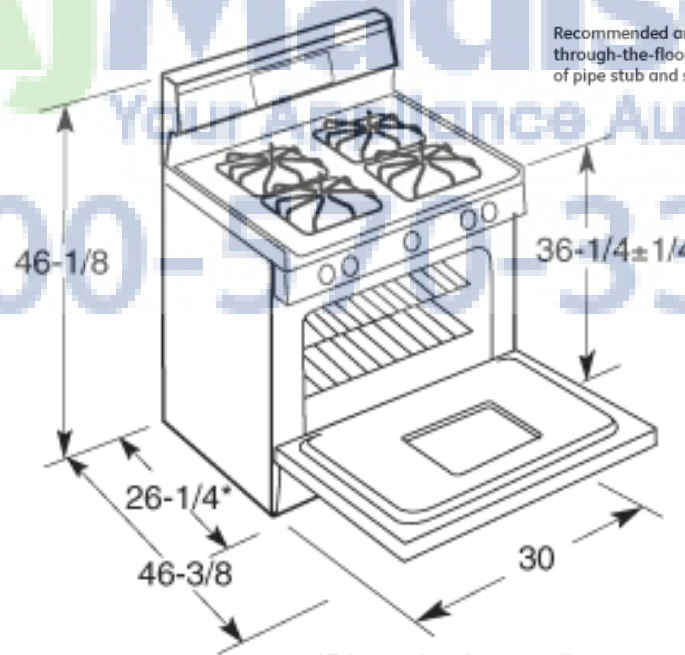
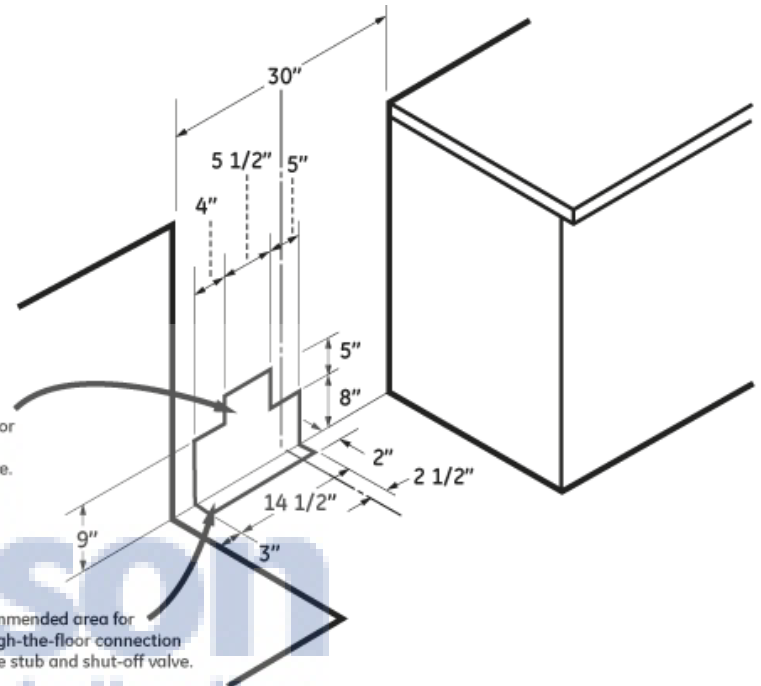
Installation Information: Before installing, consult installation instructions packed with product for current dimensional data.



All 30" GE gas and electric range backguards are 30-7/8" wide.*

*Except these models: JGBS07, JGBS04, all GE Profile free-standing electric and gas ranges
Fits most countertop backsplash applications.
Consult Use & Care Manual for detailed installation instructions.

For answers to your Monogram®, GE Profile™ or GE® appliance questions, visit our website at ge.com or call GE Answer Center® service, 800.626.2000.



*Dimension from wall to front of closed door handle is 28-5/8".



All GE ranges are equipped with an Anti-Tip device. The installation of this device is an important, required step in the installation of the range.



JGB282SET

GE® 30" Free-Standing Gas Range

Features and Benefits

- Self-clean oven - Conveniently cleans the oven cavity without the need for scrubbing
- 5.0 cu. ft. oven capacity - Enough room to cook an entire meal at once
- 15,000 BTU PowerBoil™ burner - Delivers high heat for faster boiling
- Center round burner - Round fifth burner allows for low, even heat distribution that is ideal for delicate foods and sauces
- Precise simmer burner - Delivers a low setting of 140 degrees, ideal for delicate foods and sauces
- Model JGB282SETSS - Stainless steel



AjMadison
Your Appliance Authority™
800-570-3355



imagination at work