

Counter Depth Refrigerator - Internal Dispenser

JFFCCI72SL/M



Features

Daring Obsidian Black Interior

Daring Obsidian Black Interior showcases items illuminated by cinematic LED lighting with a striking visual contrast.

One-Hand Internal Water Dispenser

Delivers a sleek exterior design while enabling easy access to chilled water and an automatic ice maker located inside the freezer.

Temperature Controlled Pantry Drawer

Control the climate and organization of your food with a dedicated drawer that features four distinct preset settings for specific needs: Meat, Deli, Assorted, and Beverages.

Pull Out Tray

A full-width, roll-out shelf located between the lowest shelf and the crisper drawers provides a staging area best for flat items, wide items and platters.

Sensor Monitored Climate Control

Four sensors in the refrigerator compartment, one for the pantry drawer, one in the freezer and one exterior ambient sensor, manage temperatures for consistent climate control for ingredients and beverages.



Product Details

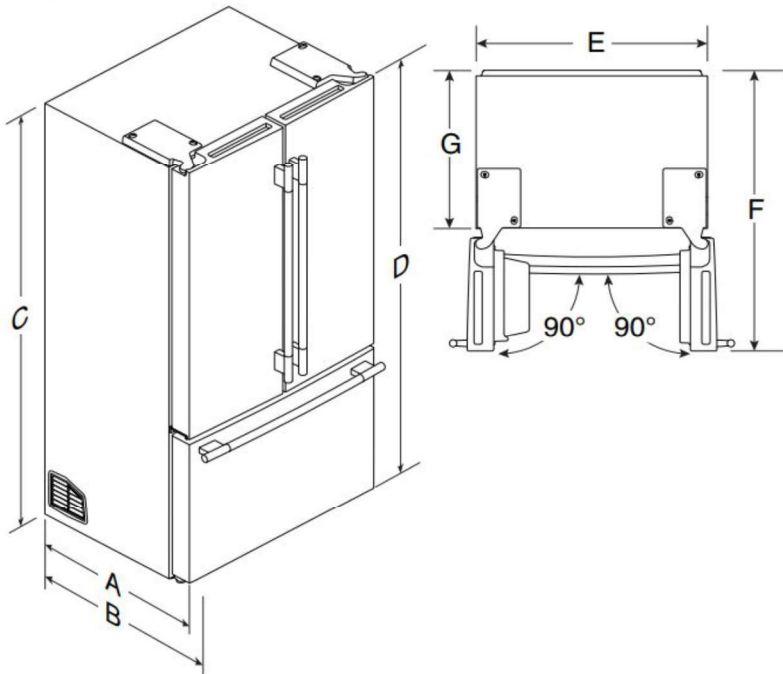
Dimensions	35 5/8 W x 29 7/16 D x 71 7/8 H	Capacity	24.8 Cubic Feet
Cavity Finish	Obsidian	Lighting	Multipoint LED w/ Halo Light
Freezer Storage	2 Tier	Ice & Water	Interior Water Disp Ice in Drawer
Lighting	Multipoint LED with Halo Light	Sabbath Mode	YES
Storage	Adjustable Glass Shelves Gallon Door Bins Temp Controlled Pantry Drawer Pull Out Tray Under-Shelf Wine Storage	Energy Star	YES
		Smart	YES

Counter Depth Refrigerator - Internal Dispenser

JFFCCI72SL/M



Product Dimensions

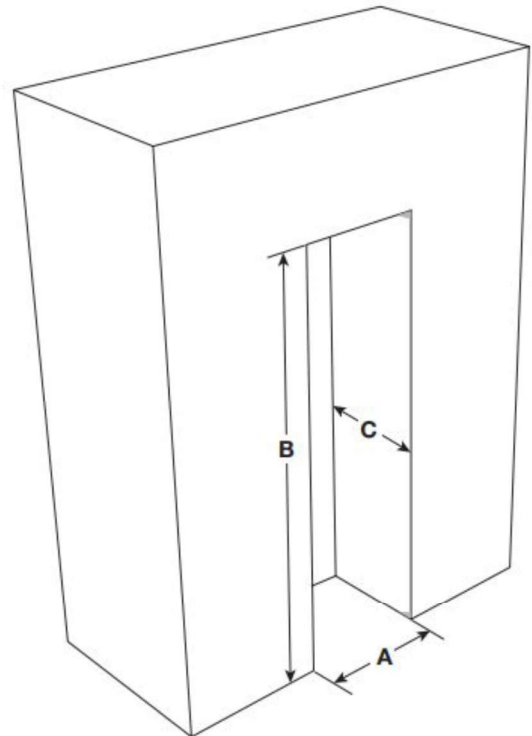


Handle and door style will vary with model. Dimensions 'C' and 'D' include rollers extended 3/4" (1.9 cm).

Model Number	JFFCCI72S*
Model Size	24.8 cu ft (702.25 L)

Description		Dimensions
A	Depth without handles	29 ⁷ / ₁₆ " (74.85 cm)
B	Depth with RISE® handles (JFFCCI72SL)	32 ³ / ₈ " (82.21 cm)
	Depth with NOIR® handles (JFFCCI72SM)	31 ⁹ / ₁₆ " (80.2 cm)
C	Height to top of cabinet	70 ⁷ / ₈ " (180 cm)
D	Overall Height	71 ⁷ / ₈ " (182.6 cm)
E	Width of cabinet	35 ⁵ / ₈ " (90.5 cm)
F	Width with door open 90°	44 ¹ / ₄ " (112.4 cm)
G	Depth without doors	25" (63.5 cm)

Cutout Dimensions



Width (A)	36" (91.46 cm)
Height (B)	72 ¹ / ₈ " (183.24 cm)
Depth (C)	30 ¹ / ₂ " (77.4 cm)

Electrical / Water

Electrical: A 115 V, 60 Hz AC only, 15 A or 20 A fused, grounded electrical supply is required. It is recommended that a separate circuit serving only your freezer be provided. Use an outlet that cannot be turned off by a switch. Do not use an extension cord.

Water: A cold water supply with water pressure between 35 psi and 120 psi (241 kPa and 827 kPa) is required to operate the water dispenser and ice maker. If you have questions about your water pressure, call a licensed, qualified plumber.

Resources

[Owner's Manual](#)

[Dimensions](#)

[Quick Start Guide](#)