

# Counter Depth Refrigerator - External Dispenser

# JFFCCE72SL



## Features

### Daring Obsidian Black Interior

Daring Obsidian Black Interior showcases items illuminated by cinematic LED lighting with a striking visual contrast.

### External Ice and Water Dispenser

A sleek stainless steel design with exterior access to filtered, chilled water and ice.

### Temperature Controlled Pantry Drawer

Control the climate and organization of your food with a dedicated drawer that features four distinct preset settings for specific needs: Meat, Deli, Assorted, and Beverages.

### Pull Out Tray

A full-width, roll-out shelf located between the lowest shelf and the crisper drawers provides a staging area best for flat items, wide items and platters.

### Sensor Monitored Climate Control

Four sensors in the refrigerator compartment, one for the pantry drawer, one in the freezer and one exterior ambient sensor, manage temperatures for consistent climate control for ingredients and beverages.



## Product Details

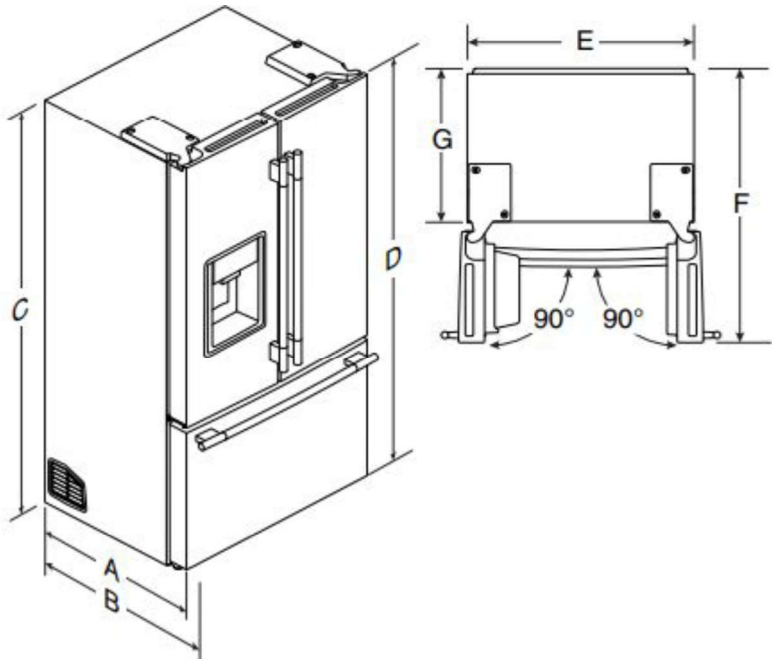
<b>Dimensions</b>	35 5/8 W x 29 7/16 D x 71 7/8 H	<b>Capacity</b>	23.9 Cubic Feet
<b>Cavity Finish</b>	Obsidian	<b>Lighting</b>	Multipoint LED w/ Halo Light
<b>Freezer Storage</b>	3 Tier	<b>Ice &amp; Water</b>	Exterior Ice & Water Dispenser Ice Stored in Door
<b>Lighting</b>	Multipoint LED with Halo Light	<b>Sabbath Mode</b>	YES
<b>Storage</b>	Adjustable Glass Shelves Gallon Door Bins Temp Controlled Pantry Drawer Pull Out Tray Under-Shelf Wine Storage Fold Away Glass Shelf	<b>Energy Star</b>	YES
		<b>Smart</b>	YES

# Counter Depth Refrigerator - Internal Dispenser

## JFFCCE72SL



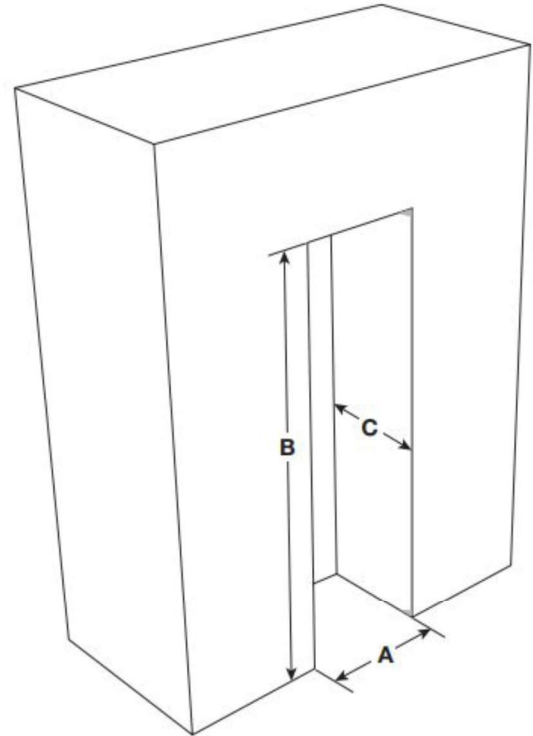
### Product Dimensions



Handle and door style will vary with model.  
Dimensions 'C' and 'D' include rollers extended 3/4" (1.9 cm).

Model Number		JFFCCE72S*
Model Size		23.9 cu ft (676.77 L)
Description		Dimensions
A	Depth without handles	29 <sup>7</sup> / <sub>16</sub> " (74.85 cm)
B	Depth with RISE® handles (JFFCCI72SL)	32 <sup>3</sup> / <sub>8</sub> " (82.21 cm)
	Depth with NOIR® handles (JFFCCI72SM)	31 <sup>9</sup> / <sub>16</sub> " (80.2 cm)
C	Height to top of cabinet	70 <sup>7</sup> / <sub>8</sub> " (180 cm)
D	Overall Height	71 <sup>7</sup> / <sub>8</sub> " (182.6 cm)
E	Width of cabinet	35 <sup>5</sup> / <sub>8</sub> " (90.5 cm)
F	Width with door open 90°	44 <sup>1</sup> / <sub>4</sub> " (112.4 cm)
G	Depth without doors	25" (63.5 cm)

### Cutout Dimensions



Width (A)	36" (91.46 cm)
Height (B)	72 <sup>1</sup> / <sub>8</sub> " (183.24 cm)
Depth (C)	30 <sup>1</sup> / <sub>2</sub> " (77.4 cm)

### Electrical / Water

**Electrical:** A 115 V, 60 Hz AC only, 15 A or 20 A fused, grounded electrical supply is required. It is recommended that a separate circuit serving only your freezer be provided. Use an outlet that cannot be turned off by a switch. Do not use an extension cord.

**Water:** A cold water supply with water pressure between 35 psi and 120 psi (241 kPa and 827 kPa) is required to operate the water dispenser and ice maker. If you have questions about your water pressure, call a licensed, qualified plumber.

### Resources

[Owner's Manual](#)

[Dimensions](#)

[Quick Start Guide](#)