

# JBS15M

## GE® 30" Free-Standing Electric Range

### Dimensions and Installation Information (in inches)

KW Rating	
240V	10.2
208V	7.7
Breaker Size	
40 Amps†	

†**Note:** Check local codes for required breaker size.

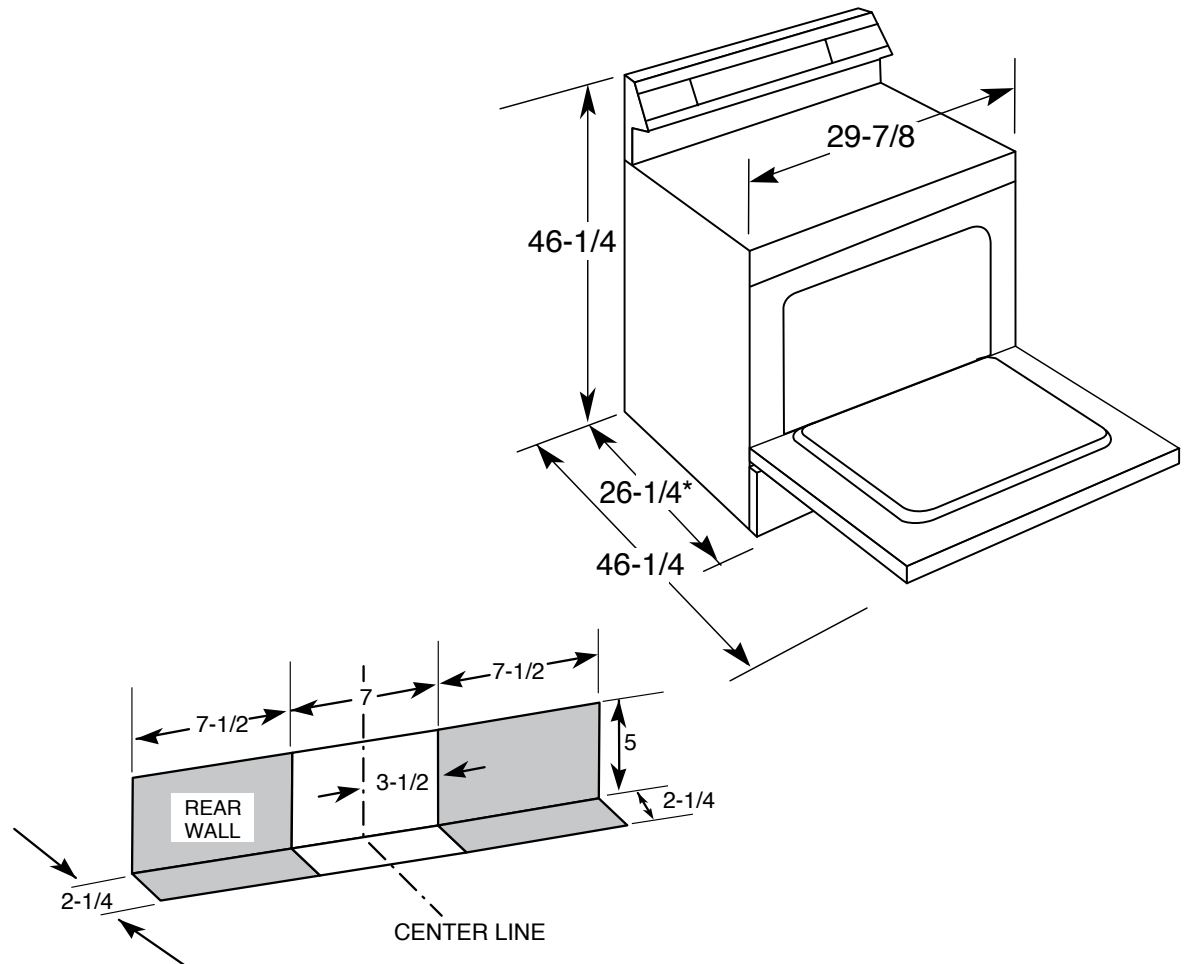
Effective January 1, 1996, the National Electrical Code requires that new construction (not existing) utilize a 4-conductor connection to an electric range.

**Receptacle Locations:** Locally approved flexible service cord or conduit must be used because terminals are not accessible after range installation. See shaded area in drawing for location of electrical outlet box. Recommended outlet locations allow range to be installed directly against wall.

**Note:** 30" ranges conform to U.L. requirements for 0" spacing from adjacent walls below countertops. To reduce possibility of scorching walls, engineering recommends a minimum of 1-1/2" spacing to allow for possible extended, high-heat, no-load heating element operation.

**Installation information:** Before installing, consult installation instructions packed with product for current dimensional data.

For answers to your Monogram®, GE Profile™ or GE® appliance questions, visit our website at [ge.com](http://ge.com) or call GE Answer Center® service, 800.626.2000.



\*Dimension from wall to front of closed door handle is 27-3/4".



All GE ranges are equipped with an Anti-Tip device. The installation of this device is an important, required step in the installation of the range.



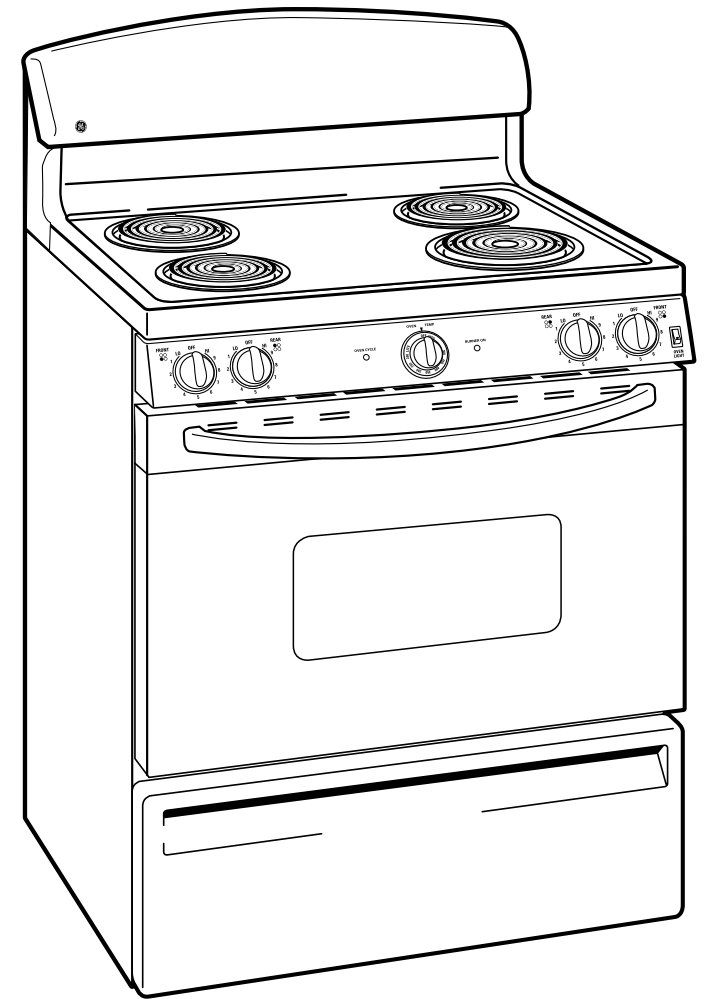
Listed by Underwriters Laboratories

# JBS15M

## GE® 30" Free-Standing Electric Range

### Features and Benefits

- Upfront Controls - Controls are placed within easy reach at the front center of the cooktop
- Super-Large Oven Capacity - Provides an impressively large oven interior for cooking more dishes and large meals at one time
- Coil Heating Elements - Provides consistent and even heat on the cooktop with a plug-in element that is removable for easy cleaning
- ClearView™ Window - Features a convenient viewing area to check the progress of food
- Dual Element Bake - Alternates the upper broiling element and the lower baking element for even heating and optimal baking results
- Porcelain Oven Door - Offers a scratch-resistant porcelain coating for easy cleaning
- Chrome Drip Bowls - Contain minor spills and are removable for easy cleaning
- Six Rack Positions - Provides flexibility and allows consumers to make the most of available oven capacity
- Interior Oven Light - Supplies light to make viewing the progress of cooking easy and convenient
- Porcelain Upswept Cooktop - Features raised edges to help contain spills and make clean-up easy
- Model JBS15MWW - White on white (white door and white cooktop)
- Model JBS15MCC - Bisque on bisque (bisque door and bisque cooktop)
- Model JBS15MBB - Black on black (black door and black cooktop)



imagination at work