

JBP15DM

GE® 30" Free-Standing Electric Range

Dimensions and Installation Information (in inches)

KW Rating	
240V	9.8
208V	7.4
Breaker Size	
40 Amps*	

*Note: Check local codes for required breaker size.

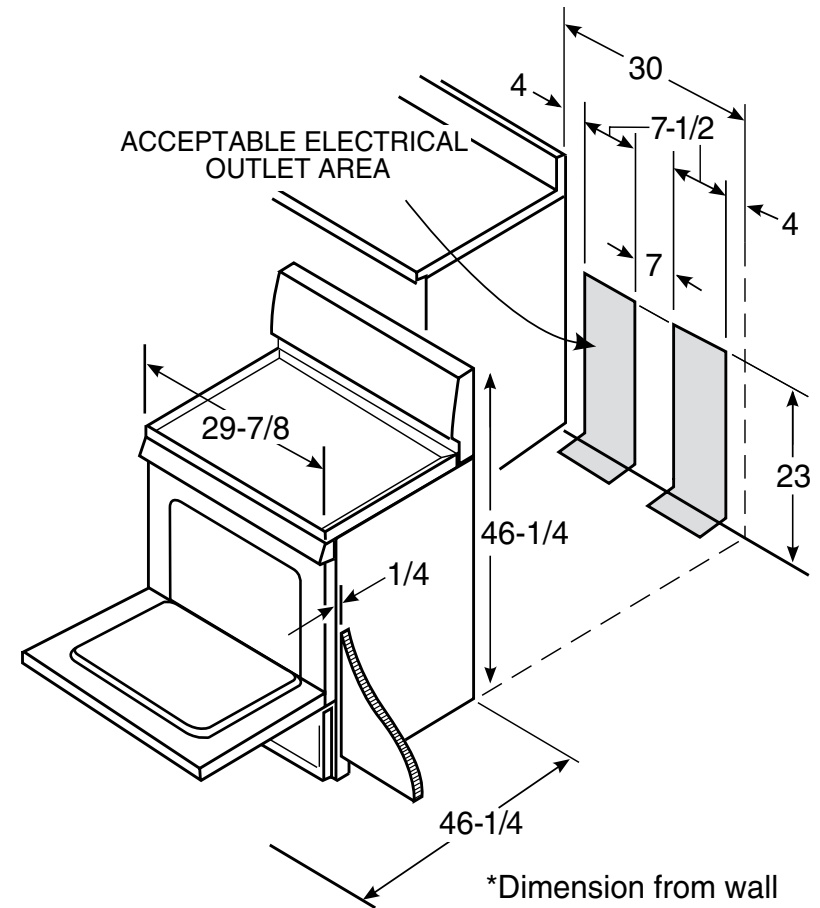
Effective January 1, 1996, the National Electrical Code requires that new construction (not existing) utilize a 4-conductor connection to an electric range.

Receptacle Locations: Locally approved flexible service cord or conduit must be used because terminals are not accessible after range installation. See shaded area in drawing for location of electrical outlet box. Recommended outlet locations allow range to be installed directly against wall.

Note: 30" ranges conform to U.L. requirements for 0" spacing from adjacent walls below countertops. To reduce possibility of scorching walls, engineering recommends a minimum of 1-1/2" spacing to allow for possible extended, high-heat, no-load heating element operation.

Installation information: Before installing, consult installation instructions packed with product for current dimensional data.

For answers to your Monogram®, GE Profile™ or GE® appliance questions, visit our website at ge.com or call GE Answer Center® service, 800.626.2000.



*Dimension from wall to front of closed door handle is 28-3/4".



All GE ranges are equipped with an Anti-Tip device. The installation of this device is an important, required step in the installation of the range.



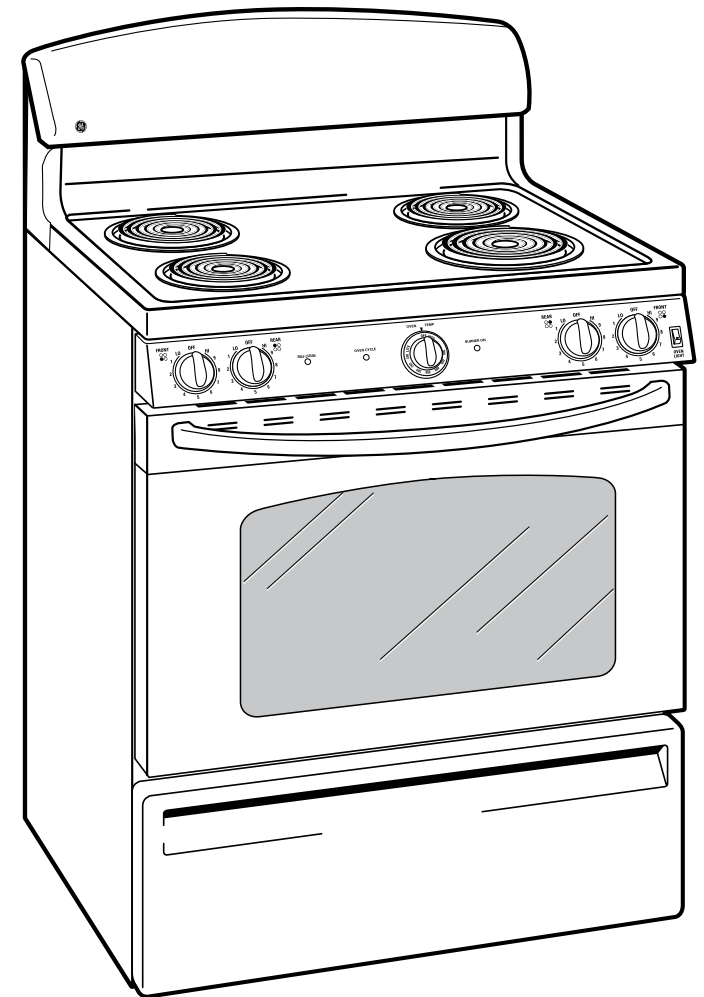
Listed by Underwriters Laboratories

JBP15DM

GE® 30" Free-Standing Electric Range

Features and Benefits

- Self-Clean Oven - Conveniently cleans the oven cavity without need of scrubbing
- Upfront Controls - Controls are placed within easy reach at the front center of the cooktop
- Super-Large Oven Capacity - Provides an impressively large oven interior for cooking more dishes and large meals at one time
- Coil Heating Elements - Provides consistent and even heat on the cooktop with a plug-in element that is removable for easy cleaning
- Big ClearView™ Window - An extra large clear window makes monitoring the progress of food easy
- Dual Element Bake - Alternates the upper broiling element and the lower baking element for even heating and optimal baking results
- CleanWell™ Cooktop System - Ensures spills are properly contained, while providing convenient cleaning access
- Porcelain Oven Door - Offers a scratch-resistant porcelain coating for easy cleaning
- Chrome Drip Bowls - Contain minor spills and are removable for easy cleaning
- Six Rack Positions - Provides flexibility and allows consumers to make the most of available oven capacity
- Model JBP15DMWW - White on white (white door and white cooktop)
- Model JBP15DMCC - Bisque on bisque (bisque door and bisque cooktop)
- Model JBP15DMBB - Black on black (black door and black cooktop)



imagination at work