

# JB870DT/TT

## GE® 30" Free-Standing Electric Double Oven Convection Range

### Dimensions and Installation Information (in inches)

KW Rating	
240V	14.3
208V	10.7
Breaker Size	
40 Amps†	

†**Note:** Check local codes for required breaker size.

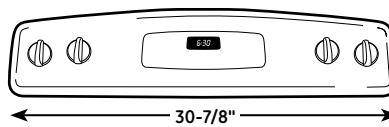
Effective January 1, 1996, the National Electrical Code requires that new construction (not existing) utilize a 4-conductor connection to an electric range.

**Receptacle Locations:** Locally approved flexible service cord or conduit must be used because terminals are not accessible after range installation. See shaded area in drawing for location of electrical outlet box. Recommended outlet locations allow range to be installed directly against wall.

**Note:** 30" ranges conform to U.L. requirements for 0" spacing from adjacent walls below countertops. To reduce possibility of scorching walls, engineering recommends a minimum of 1-1/2" spacing to allow for possible extended, high-heat, no-load heating element operation.

**Installation information:** Before installing, consult installation instructions packed with product for current dimensional data.

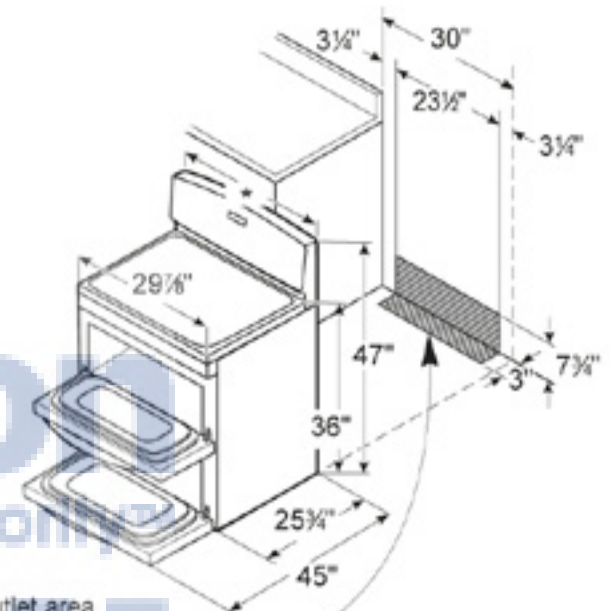
For answers to your Monogram®, GE Profile™ or GE® appliance questions, visit our website at [geappliances.com](http://geappliances.com) or call GE Answer Center® service, 800.626.2000.



All 30" GE gas and electric range backguards are 30-7/8" wide.\*

**Note:** 30" ranges conform to U.L. requirements for 0" spacing from adjacent walls below countertops. To reduce possible scorching of walls, engineering recommends a minimum of 1-1/2" spacing to allow for possible extended, high heat, no-load heating element operation.

\*Except these models: JGBS07, JGBS04, all GE Profile free-standing electric and gas ranges Fits most countertop backsplash applications. Consult Use & Care Manual for detailed installation instructions.



Acceptable electrical outlet area. Orient electrical receptacle so the length is parallel to floor.

\* GE-branded models have control panels 30 3/4" wide.

**NOTE:** Use a 4' power cord to prevent interference with the storage drawer. Power cords 4 1/2' to 6' long may have to be dressed to allow for proper drawer closing.



imagination at work



All GE ranges are equipped with an Anti-Tip device. The installation of this device is an important, required step in the installation of the range.



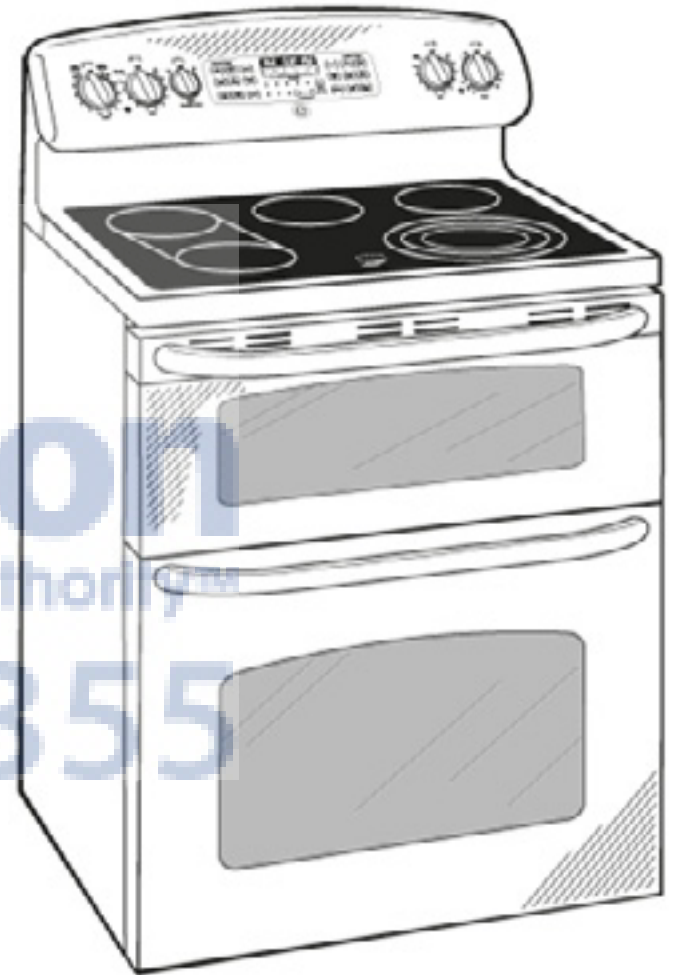
Listed by Underwriters Laboratories

# JB870DT/TT

## GE® 30" Free-Standing Electric Double Oven Convection Range

### Features and Benefits

- 6.6 cu. ft. total oven capacity - Large capacity is ideal for big meals
- Self-clean oven - Conveniently cleans the oven cavity without the need for scrubbing
- Convection bake - Bake and broil elements, combined with a reversing fan, create evenly browned results
- 12"/9"/6" Tri-ring element - Provides three cooking areas in one for the ultimate in cooking versatility
- Bridge element - Combines three cooktop elements into one large cooking area, ideal for griddles and gourmet pans
- Fifth element warming zone - Simplify meals by keeping foods fresh from the oven warm and ready to serve
- Hidden bake oven interior (Upper and Lower Oven) - Makes oven cleaning simple
- Slow cook mode - Allows for slow cook feature in your range
- Bridge element - Combines cooking elements into one cooking area
- Model JB870DTBB - Black
- Model JB870TTWW - White



imagination at work