

# JB740DF

## GE® 30" Free-Standing Electric Convection Range

### Dimensions and Installation Information (in inches)

#### Receptacle Locations

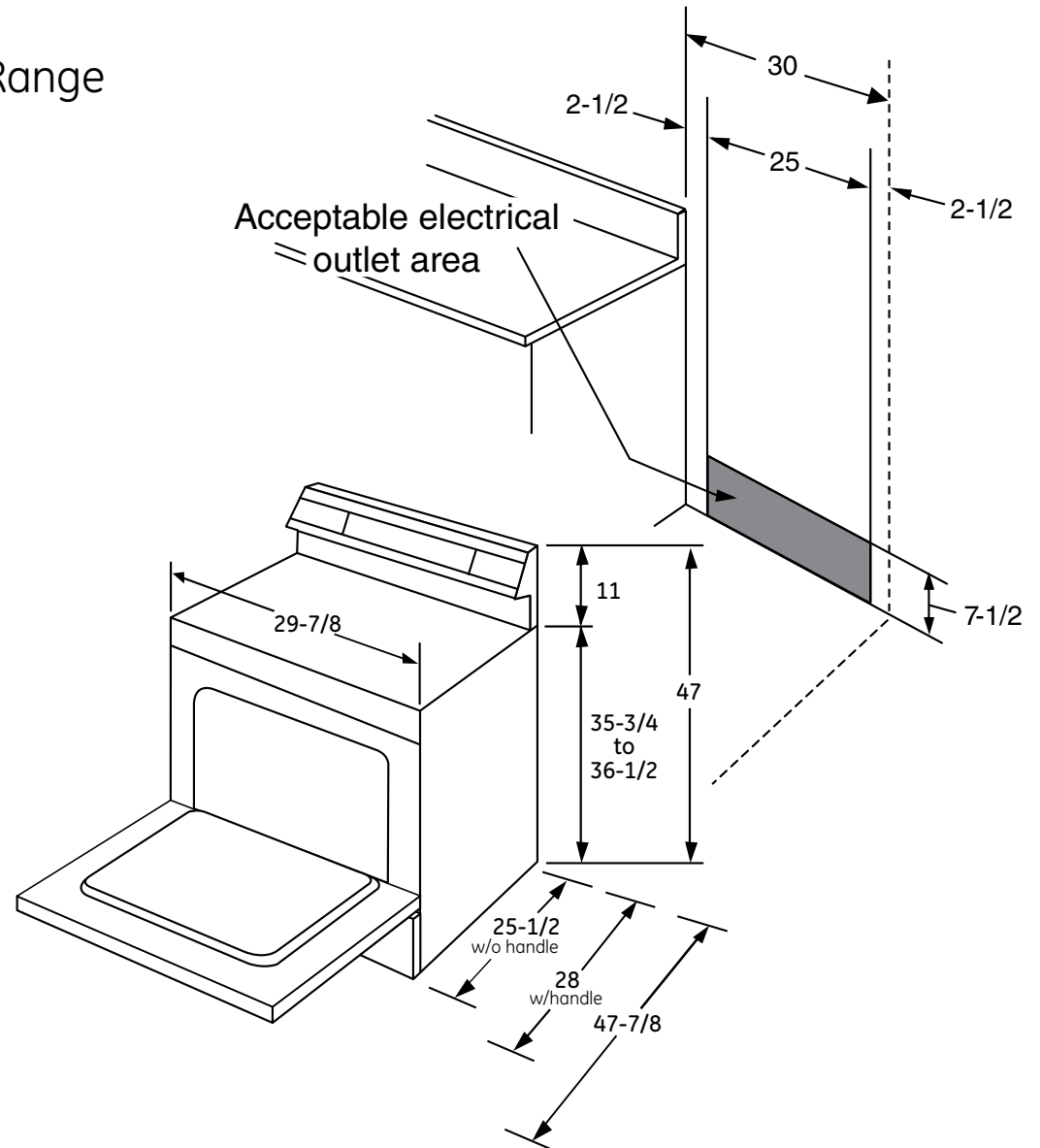
Locally approved flexible service cord or conduit must be used because terminals are not accessible after range installation. See shaded area in drawing for location of electrical outlet box. Recommended outlet locations allow range to be installed directly against wall.

**Note:** This appliance has been approved for 0" spacing to adjacent surfaces above the cooktop. However, a 6" minimum spacing to surfaces less than 15" above the cooktop and adjacent cabinet is recommended to reduce exposure to steam, grease splatter and heat.

**Installation Information:** Before installing, consult installation instructions for current dimensional data and additional requirements.

KW Rating	
240V	12.4
208V	9.3
Breaker Size	
240V	40 Amps†
208V	40 Amps†

†**Note:** Check local codes for required breaker size.



For answers to your Monogram® or GE® appliance questions, visit our website at [geappliances.com](http://geappliances.com) or call GE Answer Center® service, 800.626.2000.



All GE ranges are equipped with an Anti-Tip device. The installation of this device is an important, required step in the installation of the range.



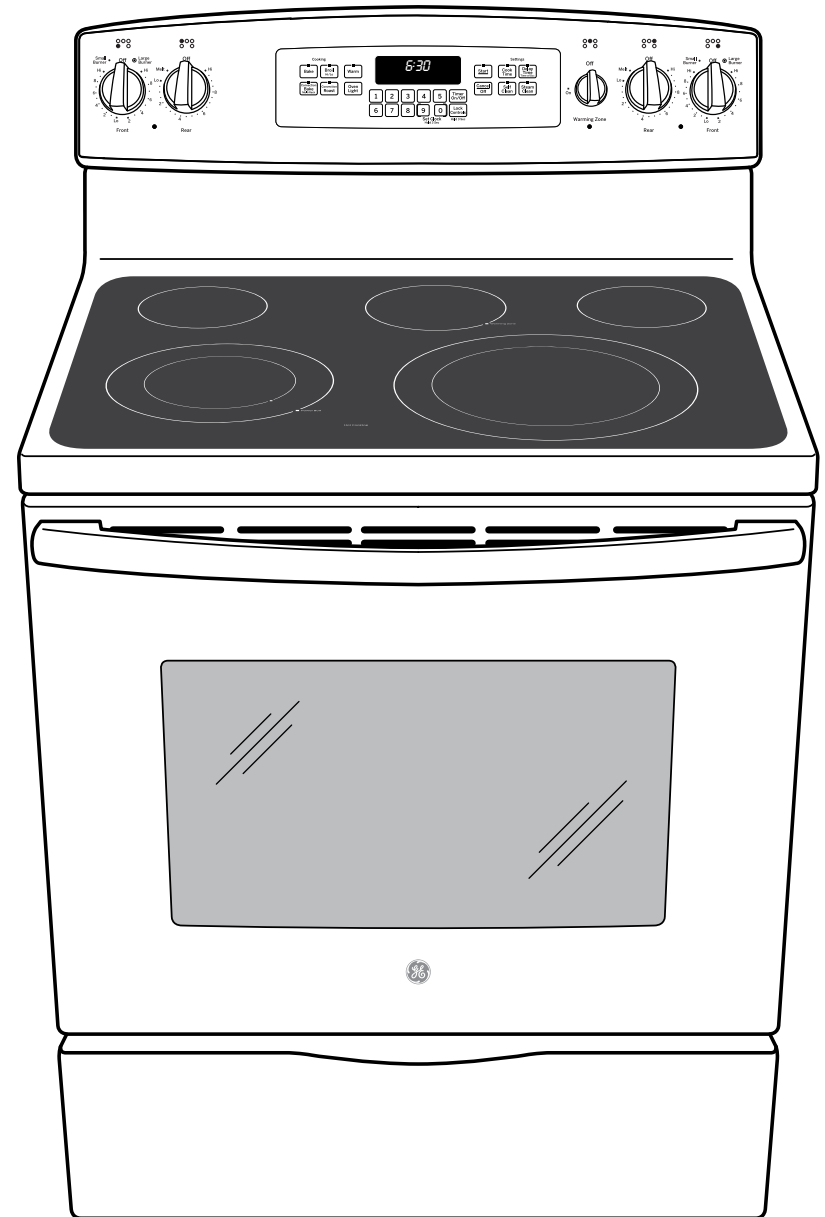
Listed by Underwriters Laboratories

# JB740DF

## GE® 30" Free-Standing Electric Convection Range

### Features and Benefits

- True European Convection with Precise Air - Enjoy perfectly even results without turning the pan
- 9"/12" Dual Element - Choose a 9" or 12" heating element
- 6"/9" Power Boil Element - Produces rapid, powerful heat
- Fifth Element Warming Zone - Provides low heat capability for foods
- Fast Preheat - Make hot meals in a hurry with less time preheating
- Self-Clean with Steam Clean Option - Clean your oven the way you want
- Hidden Bake - Make cleanup easy by eliminating hard-to-reach areas
- Black Gloss Oven Interior - Enjoy a clean and sleek appearance
- 3 Heavy-Duty Oven Racks - Bake confidently with durable racks
- Model JB740DFWW - White on white
- Model JB740DFBB - Black on black



imagination at work