

# JB705DT/TT

## GE® 30" Free-Standing Electric Range with Warming Drawer

### Dimensions and Installation Information (in inches)

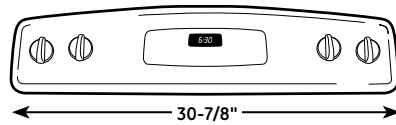
KW Rating	
240V	12.9
208V	9.7
Breaker Size	
40 Amps†	

†**Note:** Check local codes for required breaker size.

Effective January 1, 1996, the National Electrical Code requires that new construction (not existing) utilize a 4-conductor connection to an electric range.

**Receptacle Locations:** Locally approved flexible service cord or conduit must be used because terminals are not accessible after range installation. See shaded area in drawing for location of electrical outlet box. Recommended outlet locations allow range to be installed directly against wall.

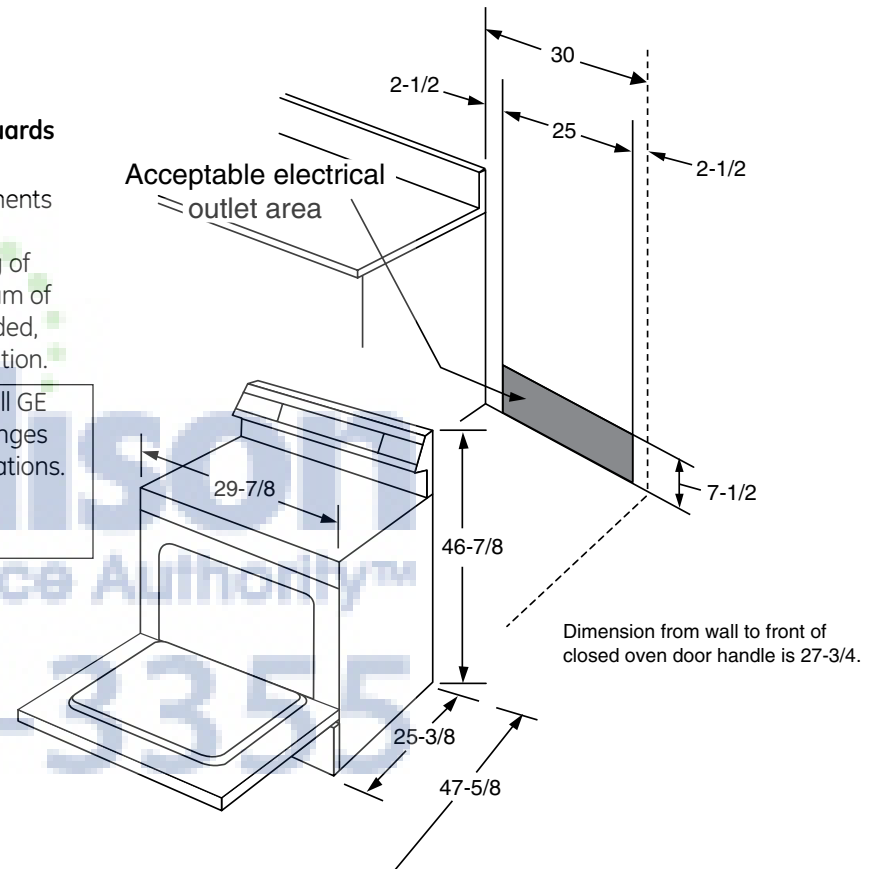
**Installation information:** Before installing, consult installation instructions packed with product for current dimensional data.



**All 30" GE gas and electric range backguards are 30-7/8" wide.\***

**Note:** 30" ranges conform to U.L. requirements for 0" spacing from adjacent walls below countertops. To reduce possible scorching of walls, engineering recommends a minimum of 1-1/2" spacing to allow for possible extended, high heat, no-load heating element operation.

\*Except these models: JGBS07, JGBS04, all GE Profile free-standing electric and gas ranges fits most countertop backsplash applications. Consult Use & Care Manual for detailed installation instructions.



For answers to your Monogram®, GE Profile™ or GE® appliance questions, visit our website at [geappliances.com](http://geappliances.com) or call GE Answer Center® service, 800.626.2000.



All GE ranges are equipped with an Anti-Tip device. The installation of this device is an important, required step in the installation of the range.



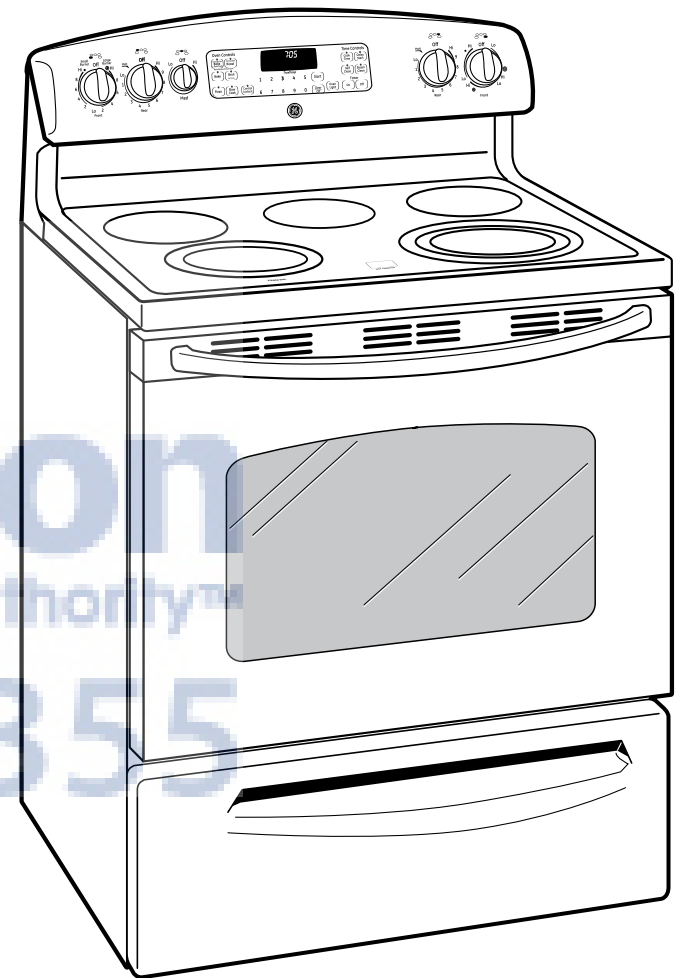
Listed by Underwriters Laboratories

# JB705DT/TT

## GE® 30" Free-Standing Electric Range with Warming Drawer

### Features and Benefits

- PreciseAir™ convection system - A reversing fan circulates heat and air for evenly browned and baked foods
- Self-clean with Steam Clean option - Gives you two easy ways to clean baked-on food and spills, so you can pick the one that fits your lifestyle
- 5.3 cu. ft. oven capacity - Remarkably large oven interior is ideal for holidays, dinner parties and everyday family cooking
- 12"/9"/6" tri-ring element - Choose a 12"/9"/6" heating element to accommodate the size of your pan
- 6"/9" PowerBoil™ Element - Accommodates various-size pots or pans and 3,000 watts of power speeds the boiling process
- Fifth element warming zone - Simplify meals by keeping foods fresh from the oven warm and ready to serve
- Warming drawer - The convenient drawer keeps foods warm and ready to serve
- Hidden Bake oven interior - Conceals the lower oven element to eliminate hard-to-reach areas that collect food and spills
- QuickSet V Oven Controls - Feature an easy to use design that allows you to set precise cooking temperatures
- Model JB705DTBB - Black
- Model JB705TTWW - True White
- Model JB705TTCC - True Bisque



imagination at work