

JB690SF

GE® 30" Free-Standing Electric Convection Range

Dimensions and Installation Information (in inches)

Receptacle Locations

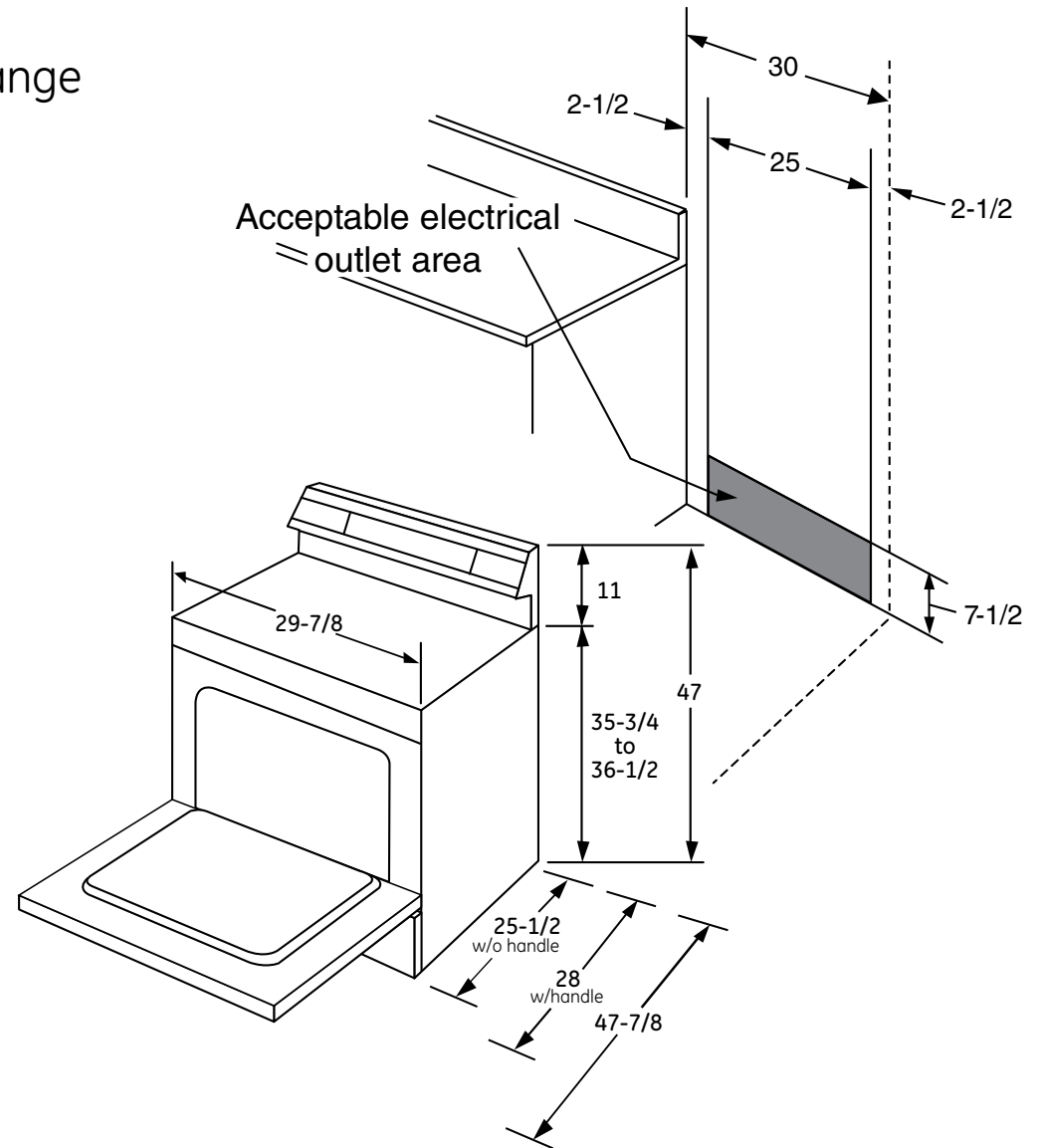
Locally approved flexible service cord or conduit must be used because terminals are not accessible after range installation. See shaded area in drawing for location of electrical outlet box. Recommended outlet locations allow range to be installed directly against wall.

Note: This appliance has been approved for 0" spacing to adjacent surfaces above the cooktop. However, a 6" minimum spacing to surfaces less than 15" above the cooktop and adjacent cabinet is recommended to reduce exposure to steam, grease splatter and heat.

Installation Information: Before installing, consult installation instructions for current dimensional data and additional requirements.

KW Rating	
240V	12.4
208V	9.3
Breaker Size	
240V	40 Amps†
208V	40 Amps†

†**Note:** Check local codes for required breaker size.



imagination at work

For answers to your Monogram® or GE® appliance questions, visit our website at geappliances.com or call GE Answer Center® service, 800.626.2000.



All GE ranges are equipped with an Anti-Tip device. The installation of this device is an important, required step in the installation of the range.



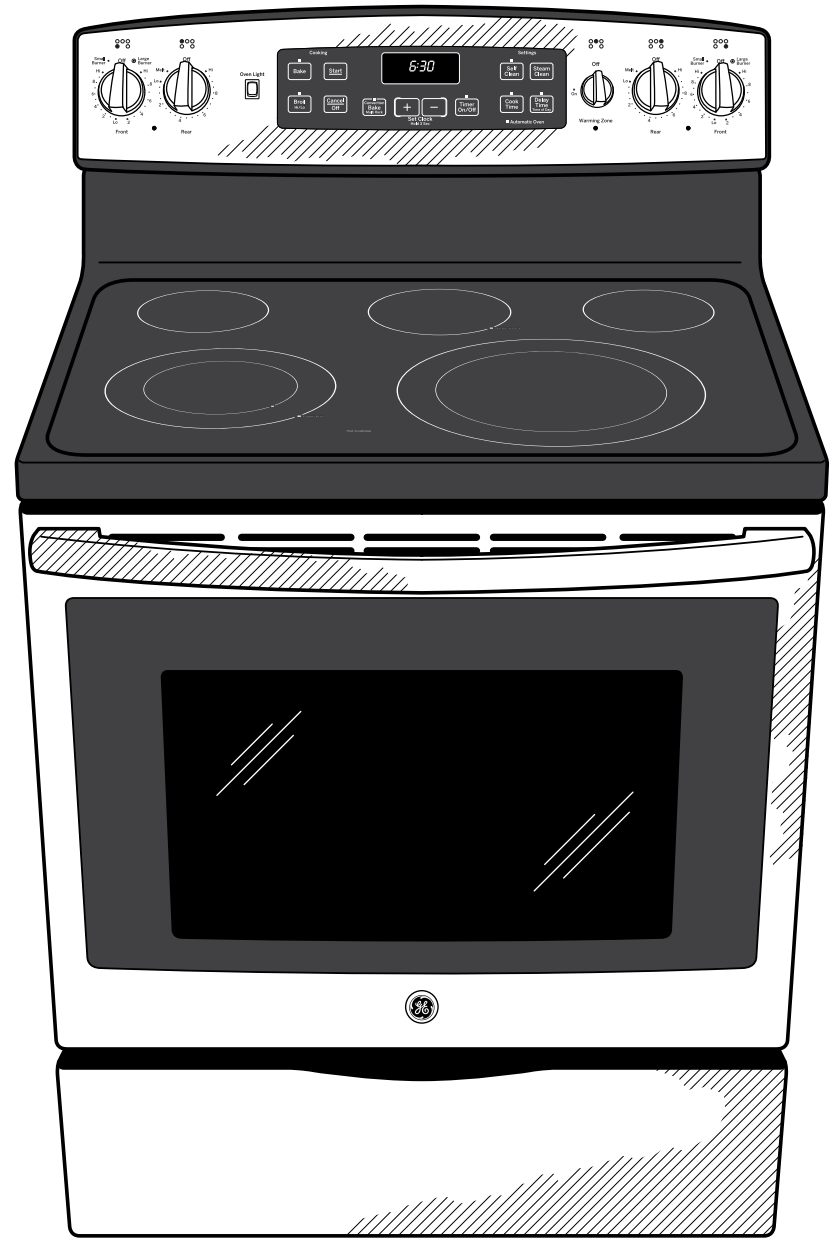
Listed by Underwriters Laboratories

JB690SF

GE® 30" Free-Standing Electric Convection Range

Features and Benefits

- Convection - Enjoy even baking without turning the pan
- 9"/12" Dual Element - Choose a 9" or 12" heating element
- 6"/9" Power Boil Element - Produces rapid, powerful heat
- Fifth Element Warming Zone - Provides low heat capability for foods
- Self-Clean with Steam Clean Option - Clean your oven the way you want
- Fast Preheat - Make hot meals in a hurry with less time preheating
- Hidden Bake - Make cleanup easy by eliminating hard-to-reach areas
- Black Gloss Oven Interior - Enjoy a clean and sleek appearance
- Model JB690SFSS - Stainless steel



imagination at work