

AI 280 720
Stainless steel
Width 48" (120 cm)
Air extraction/recirculation

Installation accessories
for exhaust air mode

AD 280 016
Stainless steel duct cover,
for ceiling heights 7'5" - 8'
(2.27 m - 2.44 m)

AD 280 026
Stainless steel duct cover,
for ceiling heights 8' - 9'
(2.44 m - 2.76 m)

AD 280 036
Stainless steel duct cover,
for ceiling heights 9' - 9'9"
(2.76 m - 2.98 m)

Installation accessories
for recirculation air mode
(order activated charcoal
filter separately):

AD 280 126
Stainless steel duct cover,
for ceiling heights 8' - 9'
(2.44 m - 2.76 m)

AD 280 136
Stainless steel duct cover
for ceiling heights 9' - 9'9"
(2.76 m - 2.98 m)

KF 001 010
Activated charcoal air filter

Island hood
AI 280

- Optimized Coanda effect, for high extraction efficiency, at both sides
- Standard operation at lower output levels
- Reduced energy consumption and less noise
- Air extraction or recirculation system
- Operation from both sides

Output

Max. air output 400 CFM unobstructed air flow.

Sound pressure level:
Air extraction 49 dB.

Features

Controls on both sides.
3 electronically controlled output levels.
Intensive mode with permanent Coanda effect in the front and back.
Interval ventilation.
Delayed shut-off function.
Grease filter saturation indicator.
Stainless-steel filter, dishwasher-safe.
Fully illuminated surface with compact fluorescent tube 2 x 36 Watts.

Planning notes

A large drop in output and significantly increased noise can be expected in the air recirculation mode in the case of ventilation hoods with a very high air output. Clearance above gas appliances min. 26".
Clearance above electric appliances min. 22".
Fit the plug concealed behind ventilation duct.
Weight 99 lbs.
Recommendation for stainless steel parts positioned nearby that have to be welded and polished: brushed grain 280.
Surfaces: Stainless steel 1.4016, ground and brushed IIIC.

The dimensions of the air duct covers refer to a distance of 63" from the floor to the bottom edge of the hood. Convert for other installation heights: Worktop height + minimum clearance + hood with duct cover.

Rating

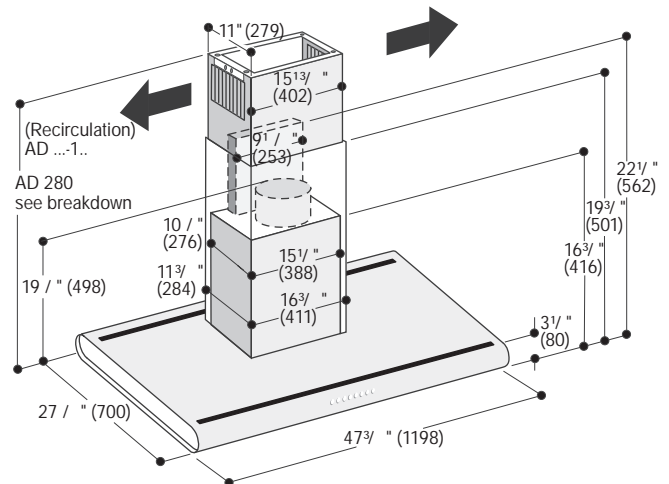
Total rating: 335 W.
Total Amps: 3.3 Amps
120 V / 60 Hz
Connecting cable 56" with plug.

Air extraction:

AD 280 016 = 26 3/8" - 33 1/16" (670-840 mm)
AD 280 026 = 33 1/16" - 45 5/8" (840-1160 mm)
AD 280 036 = 45 5/8" - 54 3/8" (1160-1380 mm)

Recirculation air:

AD 280 126 = 33 1/16" - 45 5/8" (840-1160 mm)
AD 280 136 = 45 5/8" - 54 3/8" (1160-1380 mm)



Numbers indicated inside parenthesis () = mm