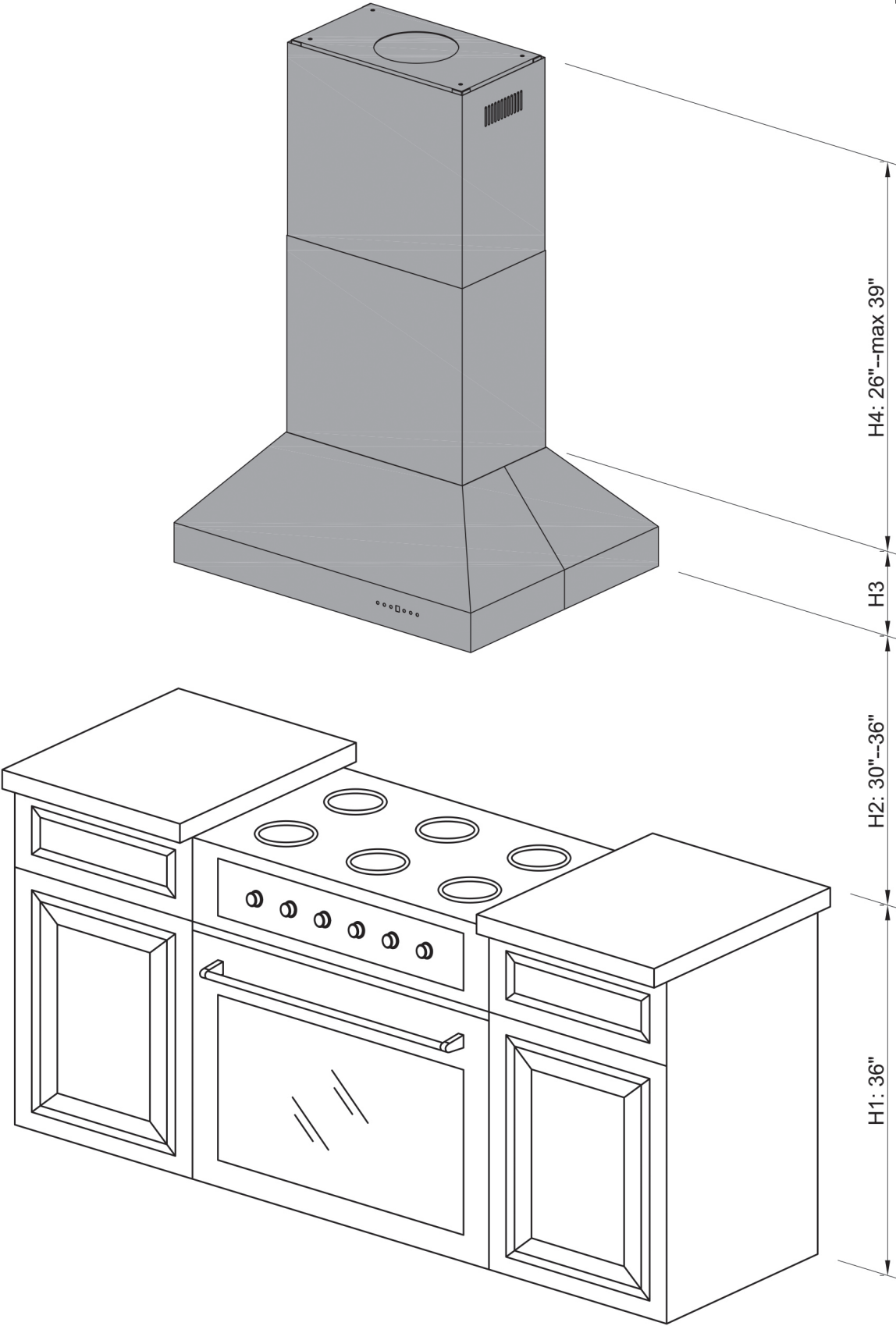


Island Hood Installation



Installation
Tutorial Video



Island Hood Installation

*The recommended height to install your hood is 30" minimum and 36" maximum above the cooktop.

*For Outdoor (304 Series) hood installation, the unit must be installed at a minimum of 36" above the grill.

1

Locate the center above the stove where the hood is to be installed. Ensure that the bracket will be secured to solid wood backing. Attach mounting bracket to the ceiling.

2

Attach the transition piece and ducting to top of the hood. (Figures 1 and 2)

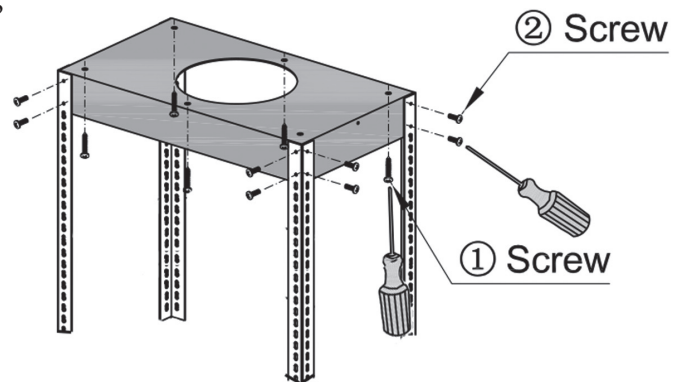


Figure 1

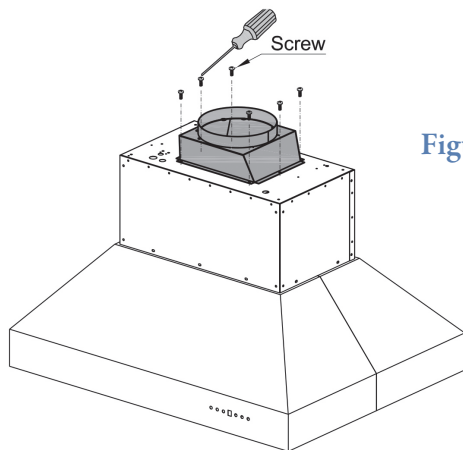
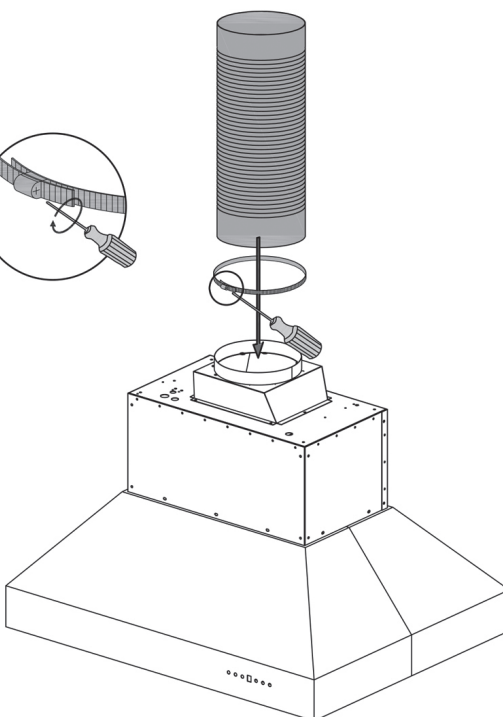


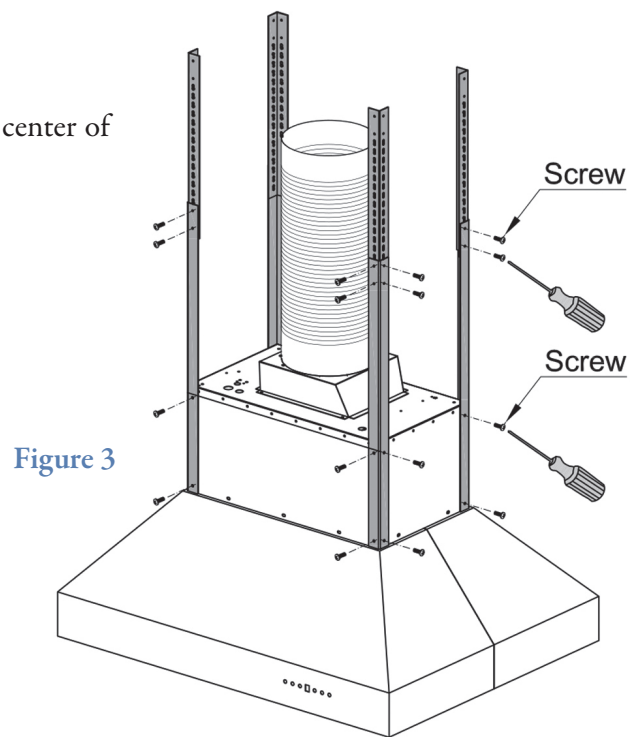
Figure 2



3 Attach the four long angle iron pieces to the hood's motor housing (Figure 3)

4 Determine desired height and attach the four short angle iron pieces to the long angle iron pieces that are attached to the hood (Figure 3)

5 Install the duct work in the center of the ceiling bracket.



Island Hood Installation

- 6 Slide chimney pieces over the angle iron on the hood. Pull the electrical plug to the top of the chimney sections. (Figure 4)
- 7 Lift the hood to attach the angle iron to the ceiling bracket. Use screws provided to attach.
- 8 Make your electrical and ducting connections. Use rigid duct wherever possible. Try and minimize the use of elbows. More elbows and longer runs create higher static pressure. The hood comes with a grounded three prong plug that can either be a direct wired or plugged into a 20 amp circuit.
- 9 Slide top chimney piece up over the mounting bracket on the ceiling and secure in place with screws provided. (Figure 5)
- 10 Install stainless steel baffle filters.

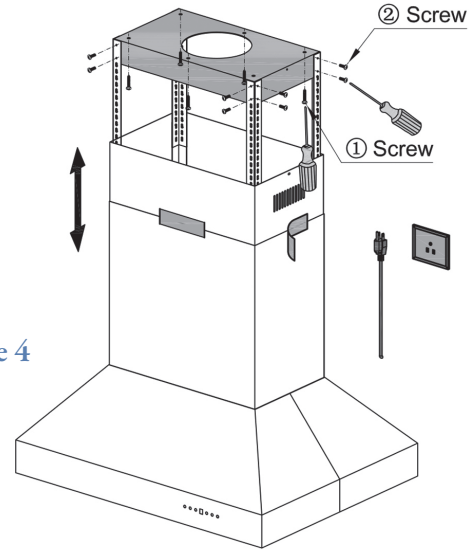


Figure 4

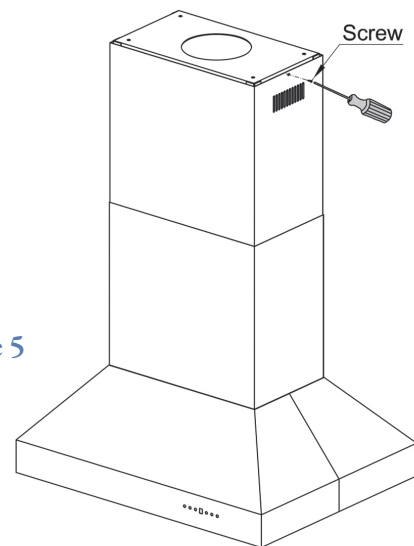


Figure 5

★ *Before installing baffle filters, make sure that you insert the grease cup under the motor blower.*

Remote Blower Installation Options

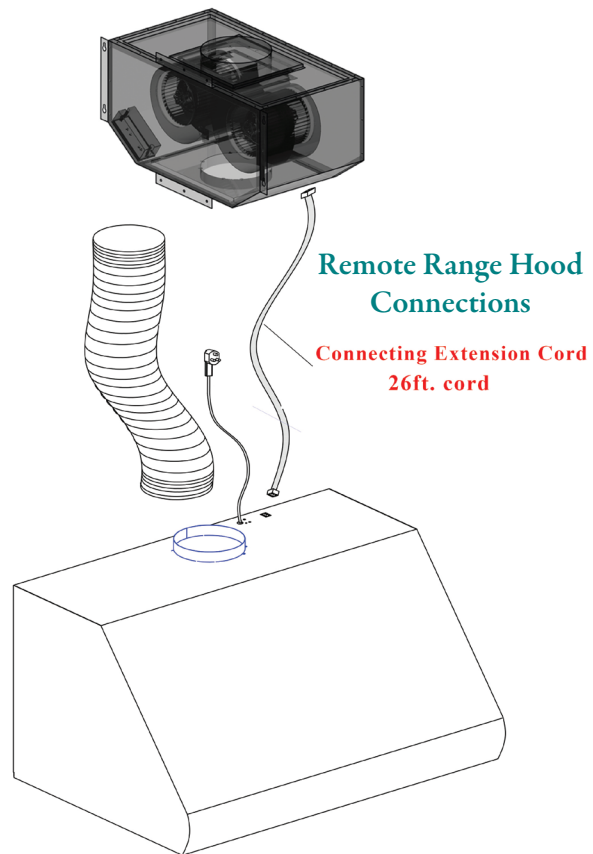


Installation
Tutorial Video

★ *When installing your new remote blower type range hood, follow the instructions for the type of hood you are installing. If you are installing a wall, Island, under cabinet or insert hood then you will follow those instructions. This portion of the manual will explain how to install the remote blower for your range hood.*

Remote Blower Installation:

- 1 Run duct work into the area that you will install the remote from your range hood.
- 2 Fasten ducting to the range hood using a hose clamp and silver/duct tape.
- 3 Use the least amount of elbows as possible.
- 4 Mount the remote blower to studs only.



Remote Blower Installation Options

5 Run electrical cord (Provided) back to the range hood (up to 26').

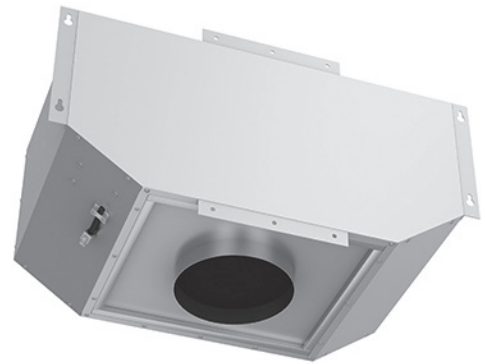
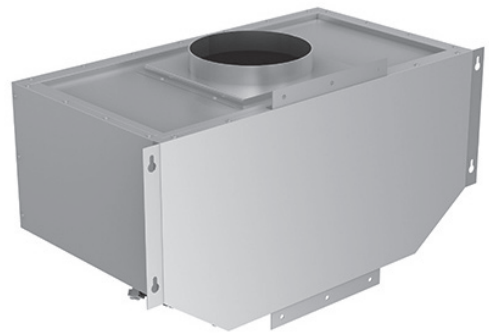
6 Install a regular outlet with a 20 amp circuit.

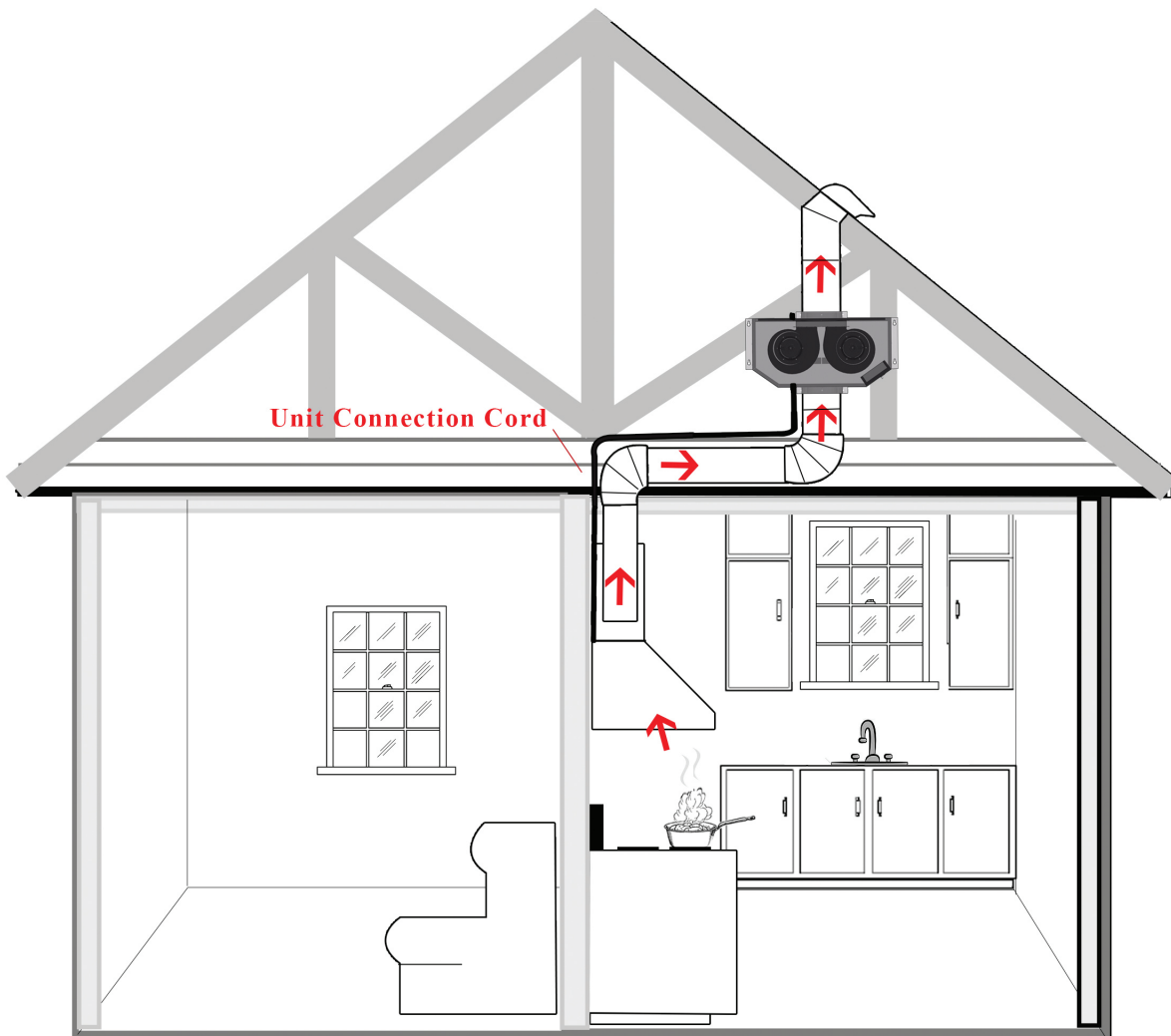
7 The hood comes with a grounded 3 prong grounded plug.

8 Run duct work to the outside of the house and add a back draft damper outside.

NOTE: *The remote blower must be kept inside the home, attic or crawl space etc. Never try to install a remote blower outside of the home.*

Remote Blower
with Brackets





The Remote Blower is designed for our Remote Range Hoods.
This unit is installed remotely in the interior of your home.
This provides venting, but with reduced noise.

T85 Remote Blower—Single Motor

(This Blower must be used with Remote Blower Hood)

Airflow 280 / 400 / 580 / 900 (CFM)

Noise Level: 1.2 / 2.6 / 4.2 / 6.5 (Sones)

Dimensions: 26.14 x 14.6 x 13

T95 Remote Blower—Dual Motor

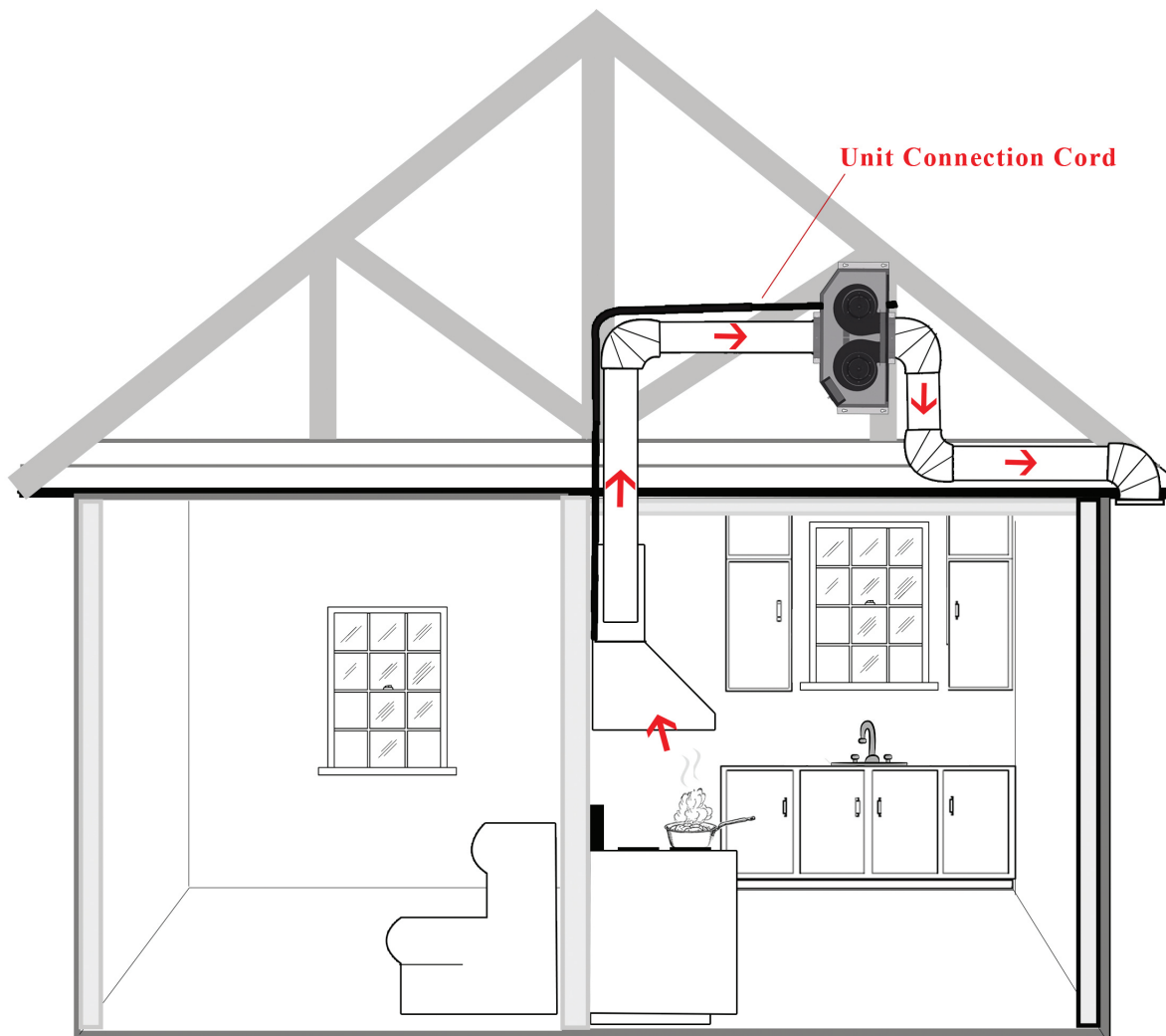
(This Blower must be used with Remote Blower Hood)

Airflow 280 / 460 / 670 / 1200 (CFM)

Noise Level: 1.2 / 2.8 / 5.0 / 7.0 (Sones)

Dimensions: 26.14 x 14.6 x 13

Remote Blower Installation Options



The Remote Blower is designed for our Remote Range Hoods.
This unit is installed remotely in the interior of your home.
This provides venting, but with reduced noise.

T85 Remote Blower—Single Motor

(This Blower must be used with Remote Blower Hood)

Airflow 280 / 400 / 580 / 900 (CFM)

Noise Level: 1.2 / 2.6 / 4.2 / 6.5 (Sones)

Dimensions: 26.14 x 14.6 x 13

T95 Remote Blower—Dual Motor

(This Blower must be used with Remote Blower Hood)

Airflow 280 / 460 / 670 / 1200 (CFM)

Noise Level: 1.2 / 2.8 / 5.0 / 7.0 (Sones)

Dimensions: 26.14 x 14.6 x 13