



---

# INVISACOOK

*The Original*



**INIVSACOOK RAIL INSTALLATION GUIDE**

# Parts and Pieces that come with the Rail Installation Pack



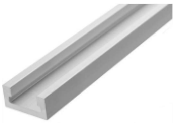
8 Pieces of 16mm Button Head Socket Cap Screws, Stainless Steel 18-8 (304), Black Finish, for Aluminum Profile of L-Bracket to T-Bar



8 Pieces of T Sliding Nuts Hammer Nut Block Square Nuts M5 T Nuts for Aluminum Profiles of L-Bracket to T-Bar



8 Pieces of Wood Screws 3/4 Inch, Premium Flat Head Phillips Black Wood Screws, Self Tapping Electrophoresis Used in Indoor Furniture, Woodworking (#8 x 3/4") For screwing the L-Bracket into cabinet wall.



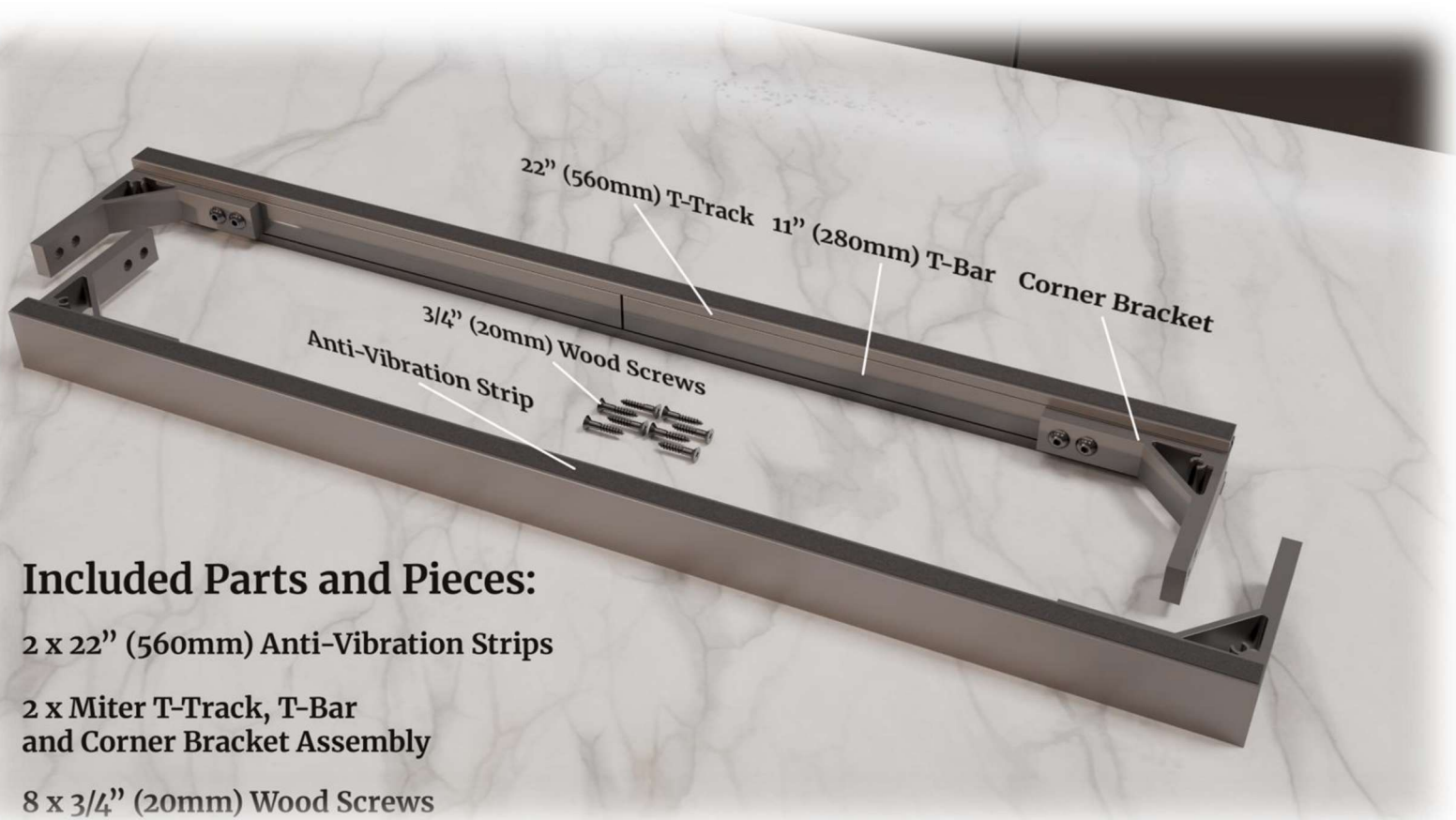
2 Pieces of 22" Miter T Track



4 Pieces of 11" T-Bar with Designated holes for L-Bracket assembly



4 x Corner Bracket 78x78mm for Aluminum Extrusion Profile, 4 Hole Inside Strong Support Corner Brackets



## **Included Parts and Pieces:**

**2 x 22" (560mm) Anti-Vibration Strips**

**2 x Miter T-Track, T-Bar and Corner Bracket Assembly**

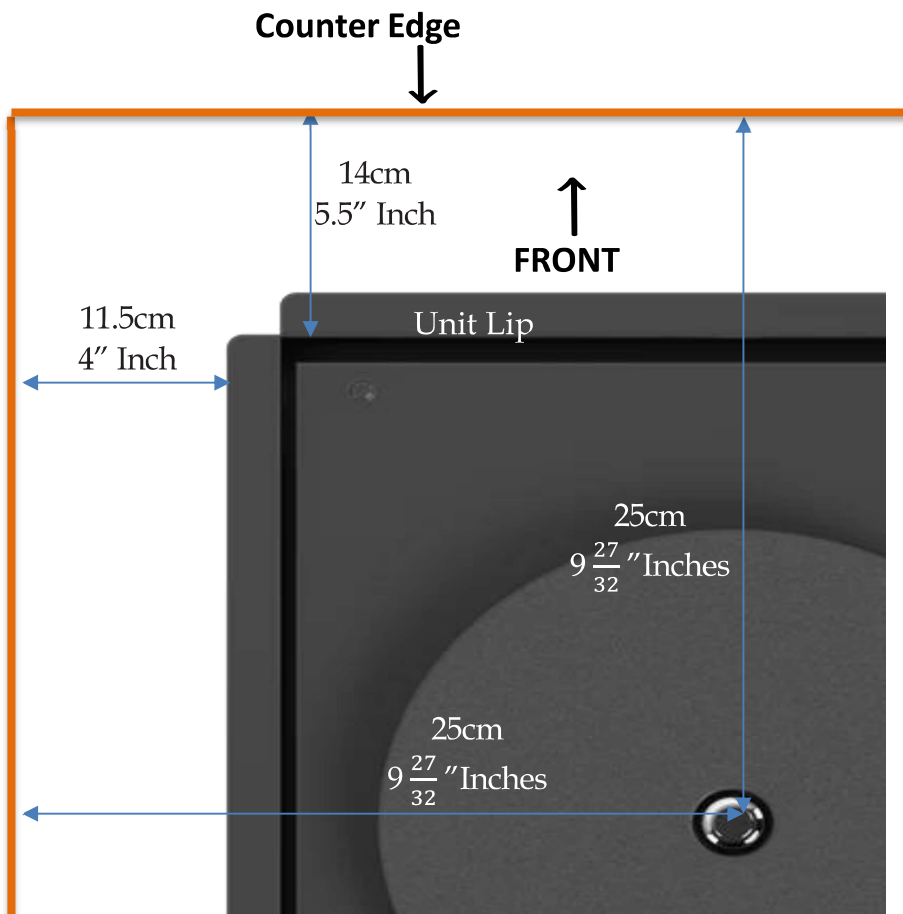
**8 x 3/4" (20mm) Wood Screws**

# IMPORTANT NOTES FOR PROPER INSTALLATION BY GUIDANCE OF PORCELAIN MANUFACTURES

- Burners are to be a **minimum of 25cm or 9.75" Inches** away from any open ends or Edges of the Countertop Material. This means that from the outside Edge of the Unit (Back part of the Lip) should be a Minimum of 9cm or 3.5" Inches away from any countertop Edge.

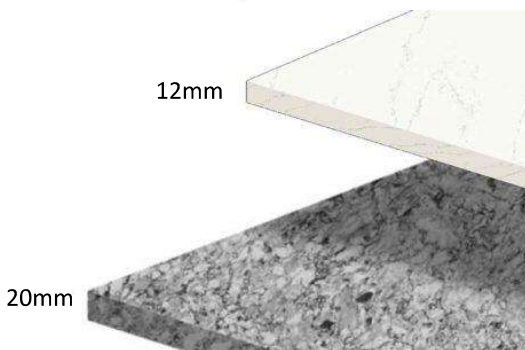
**\*\*See diagram below\*\***

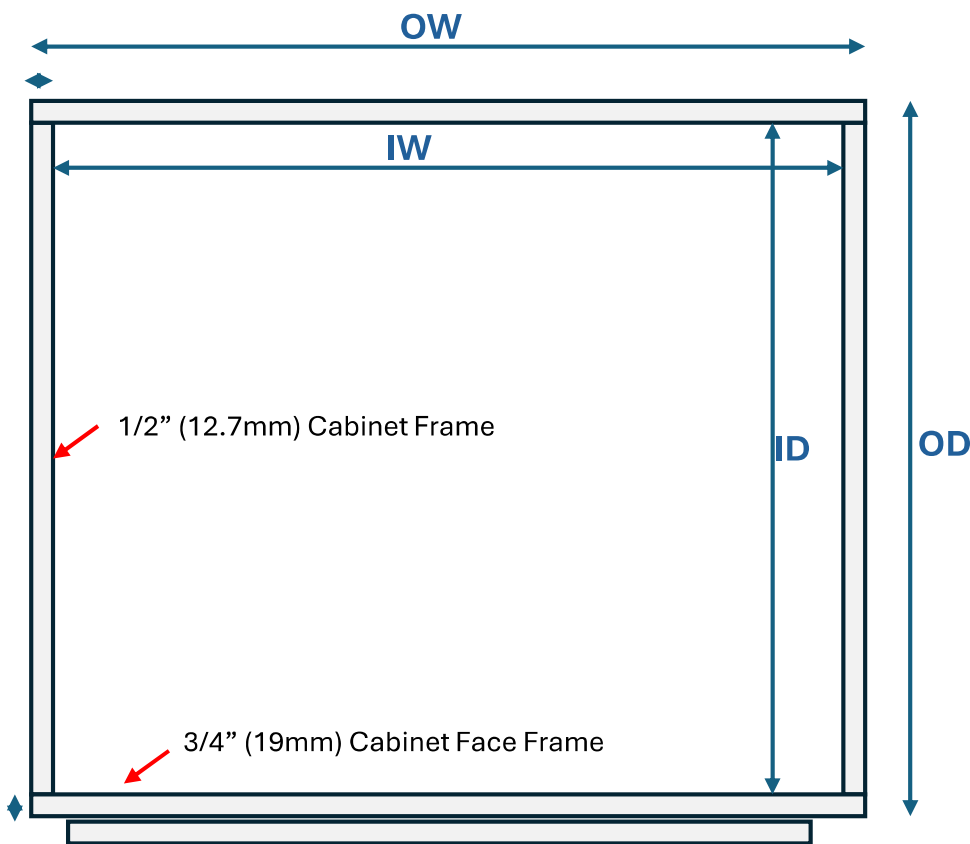
- All corners are to be round edges as instructed by the Materials Specification for the Porcelain fabricated slabs.



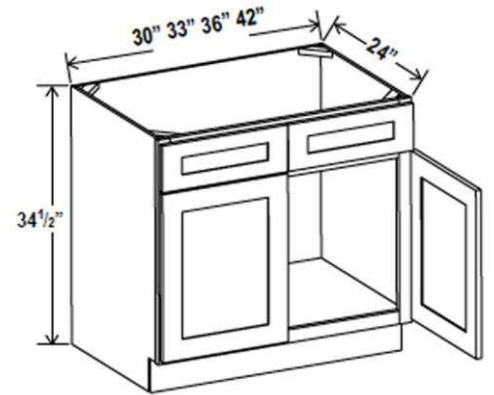
*Minimum Dimensions to Counter Edge  
Measurements to front of unit, for Back and Sides, make sure to see next pages, with countertop depth and width minimum requirements.*

*Invisacook can only be used with a minimum countertop ickness of 12mm (1/2") and Max thickness of 20mm (2cm) (3/4") Countertops from tested and approved brands*





## Standard North American Cabinet



OW = Outside Width  
 IW = Inside Width  
 OD = Outside Depth  
 ID = Inside Depth

Can be adjusted to fit within a Width Cabinet of 24", 28", 30", 34", 36", 38", 40", & 42" cabinet base.

5 Burner in a 38", 40" or 42" Cabinet bases

4 Burner in Row in a 38", 40", & 42" Cabinet bases

4 Burner in a 24", 28", 30", 34", 36", 38", 40", & 42" Cabinet Bases

3 Burner in a 32", 34", 36", 38", 40", & 42" Cabinet Bases

2 Burner in a 24", 28", 30" & 34" cabinet base

For Cabinets of 20", 18", 16" & 14", which only applies for the 1 and 2 Burner units, these braces will be installed Vertically in any of these 24" deep cabinet bases

2 Burner in a 20", 18", 16" & 14" Cabinet Base

1 Burner in a 20", 18", 16" & 14" Cabinet Bases



# 5 Burner 220V

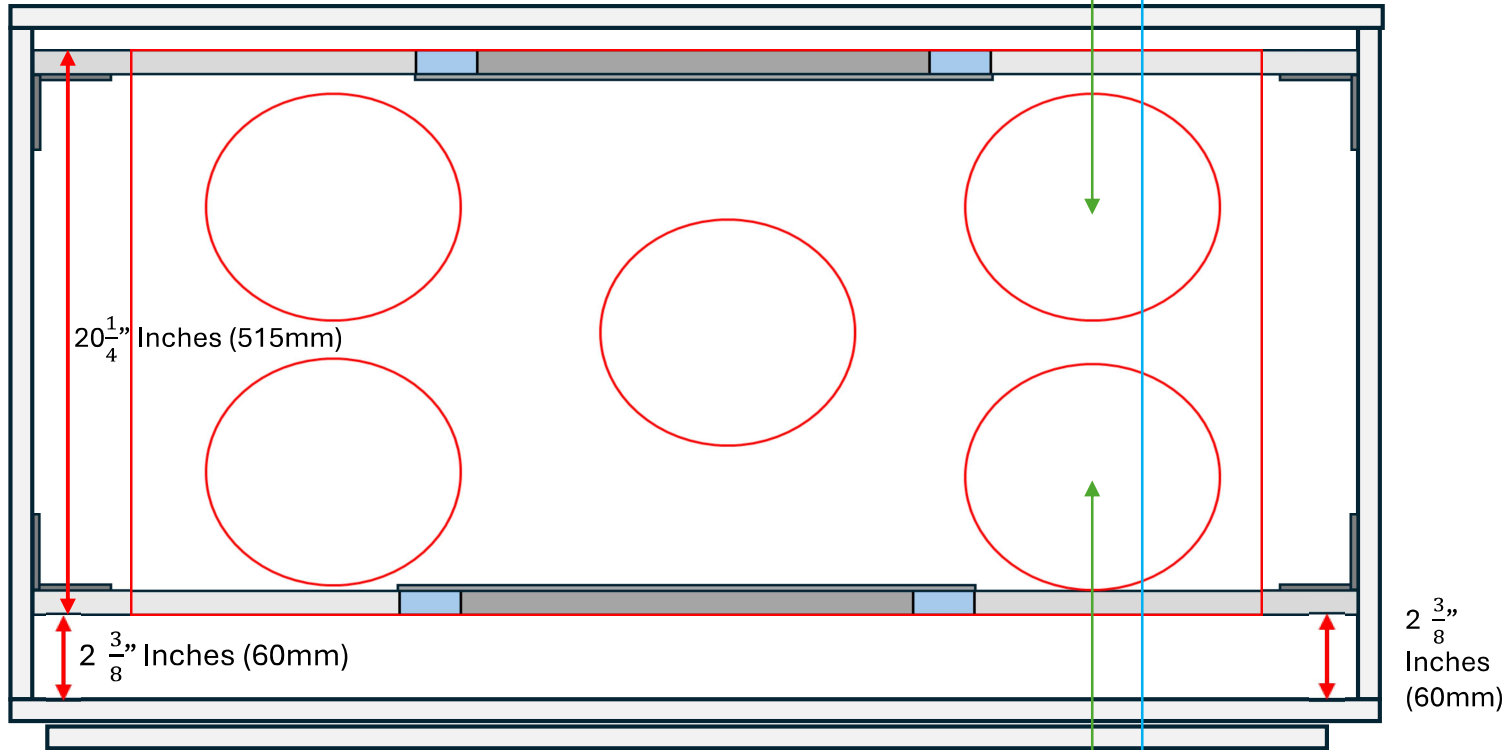
8150-256-001B



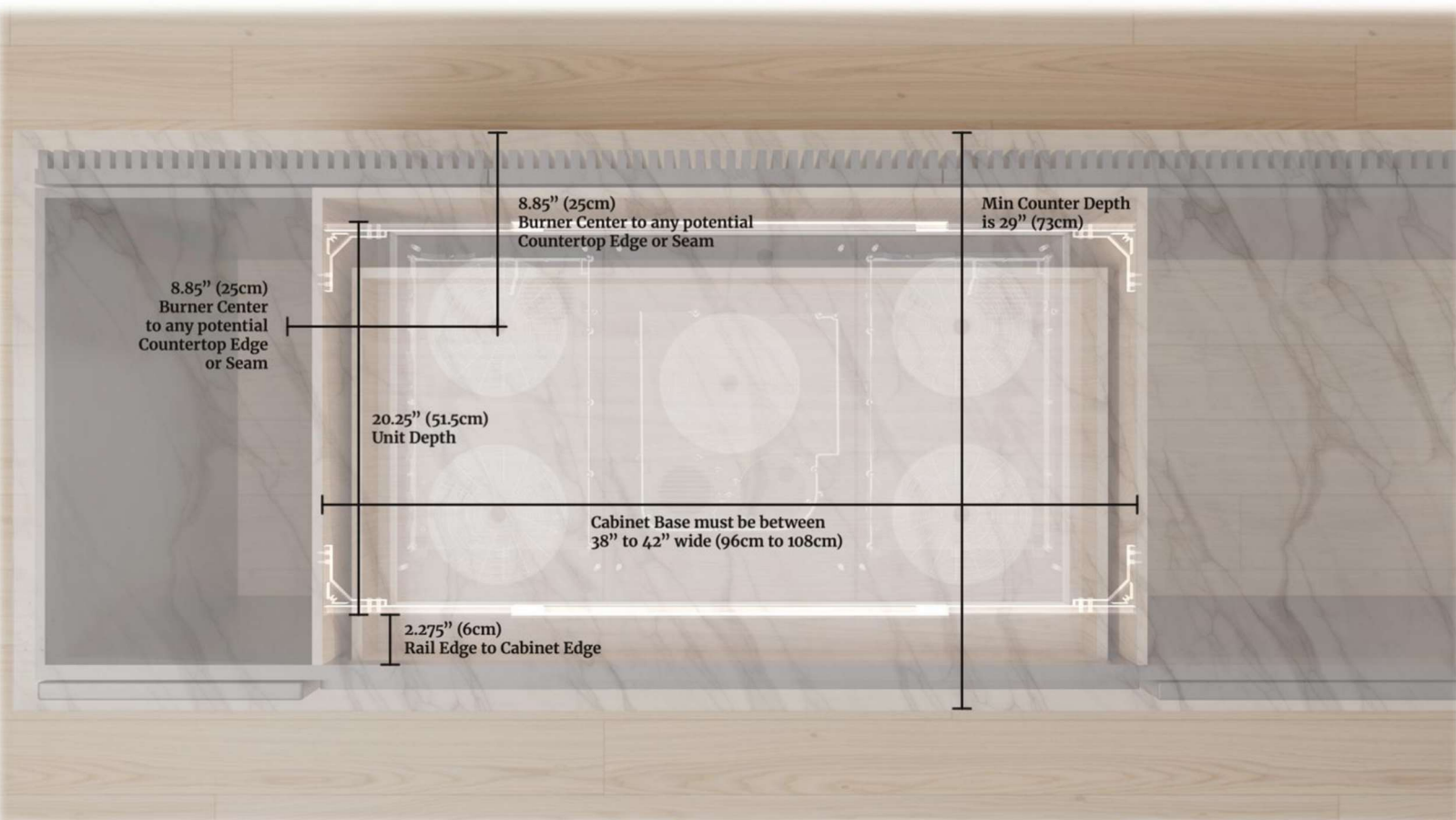
# 5 Burner Framed in Installation of Rail for Island Use Only

Countertop back side edge  
must meet the 25cm from  
center of burner

Min Countertop Depth  
is 29" (730mm)



With this set back in the cabinet  
of the brackets, distance from  
edge is met!





# 4 Burner Squared 220V

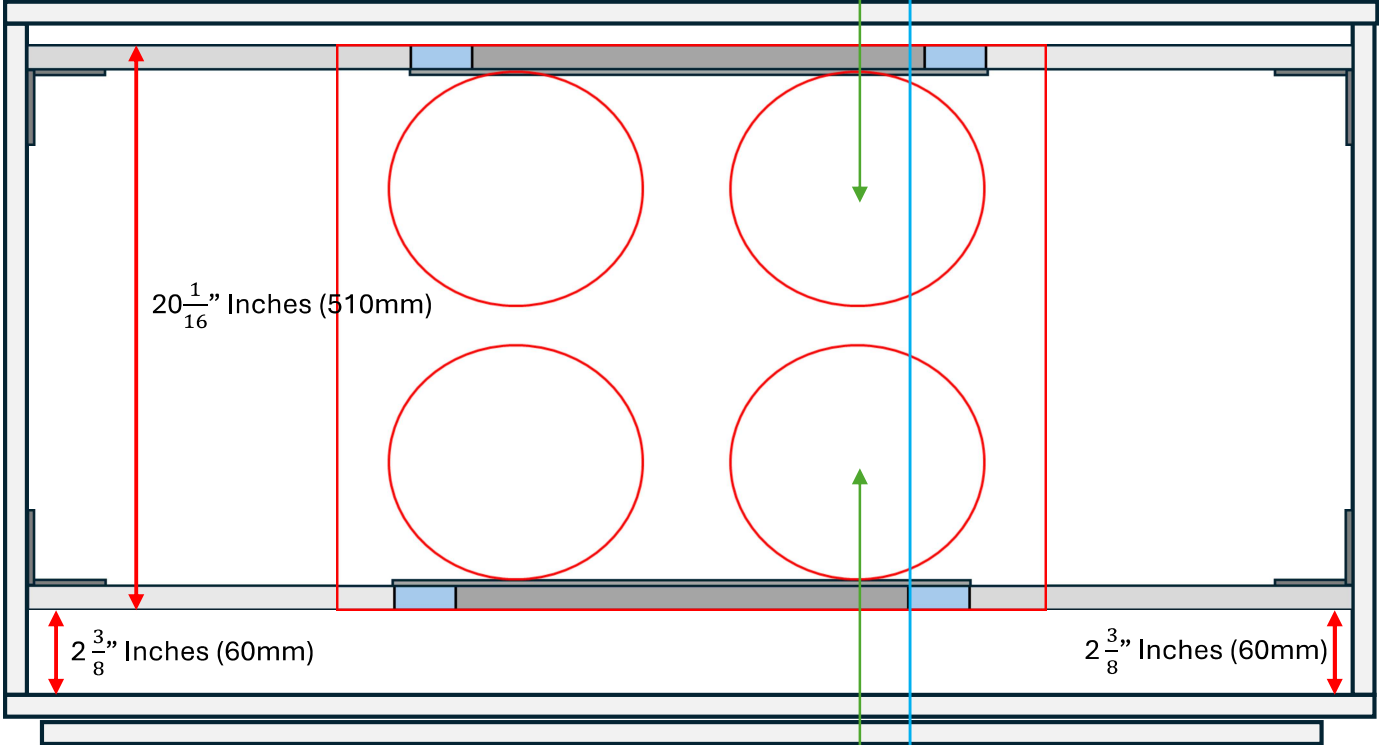
8140-257-001B



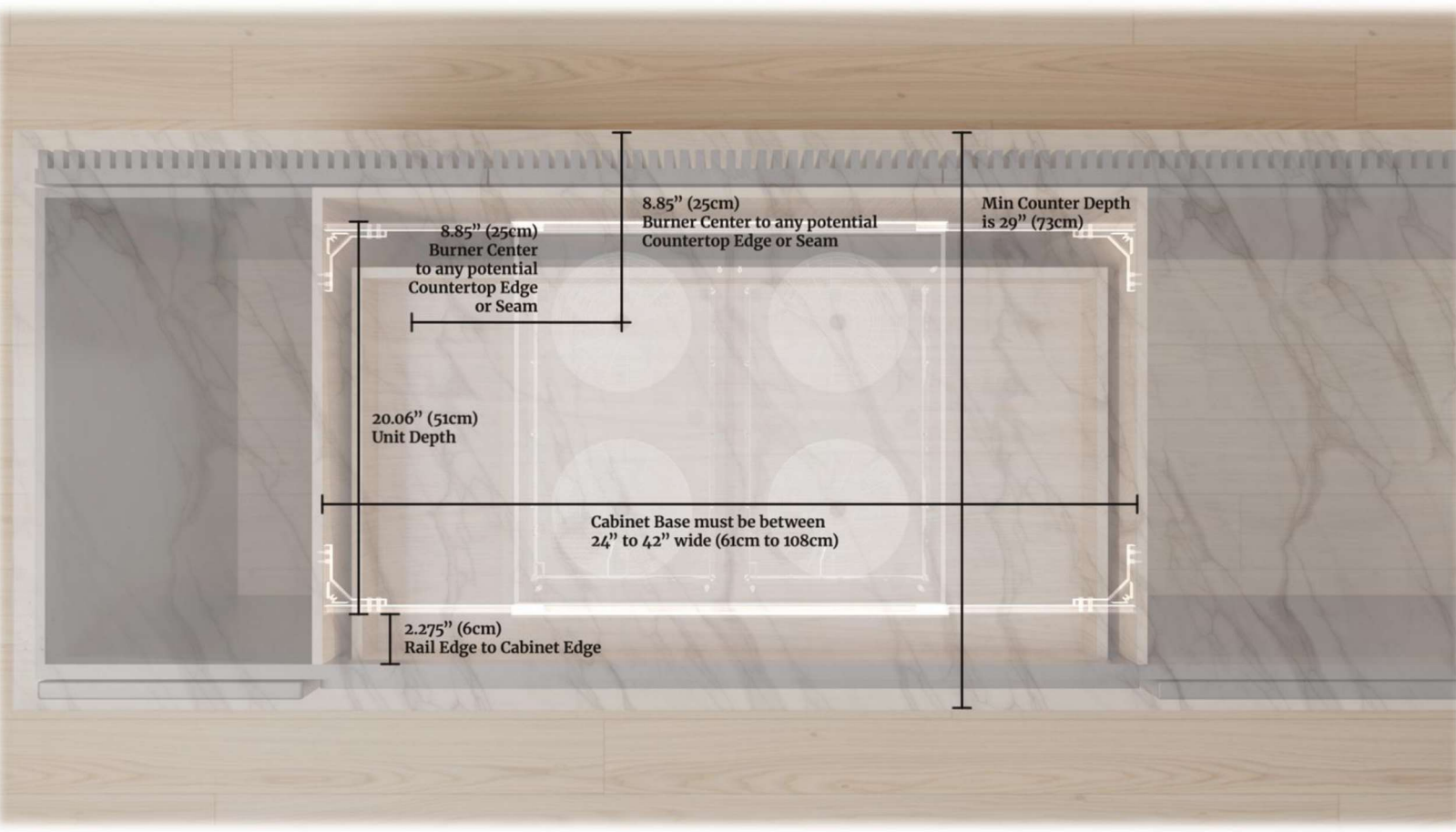
**4 Burner Framed in  
Installation of Rail for  
Island Installation Only**

Countertop back side edge  
must meet the 25cm from  
center of burner

Min Countertop Depth  
is 29" (730mm)



With this set back in the cabinet  
of the brackets, distance from  
edge is met!





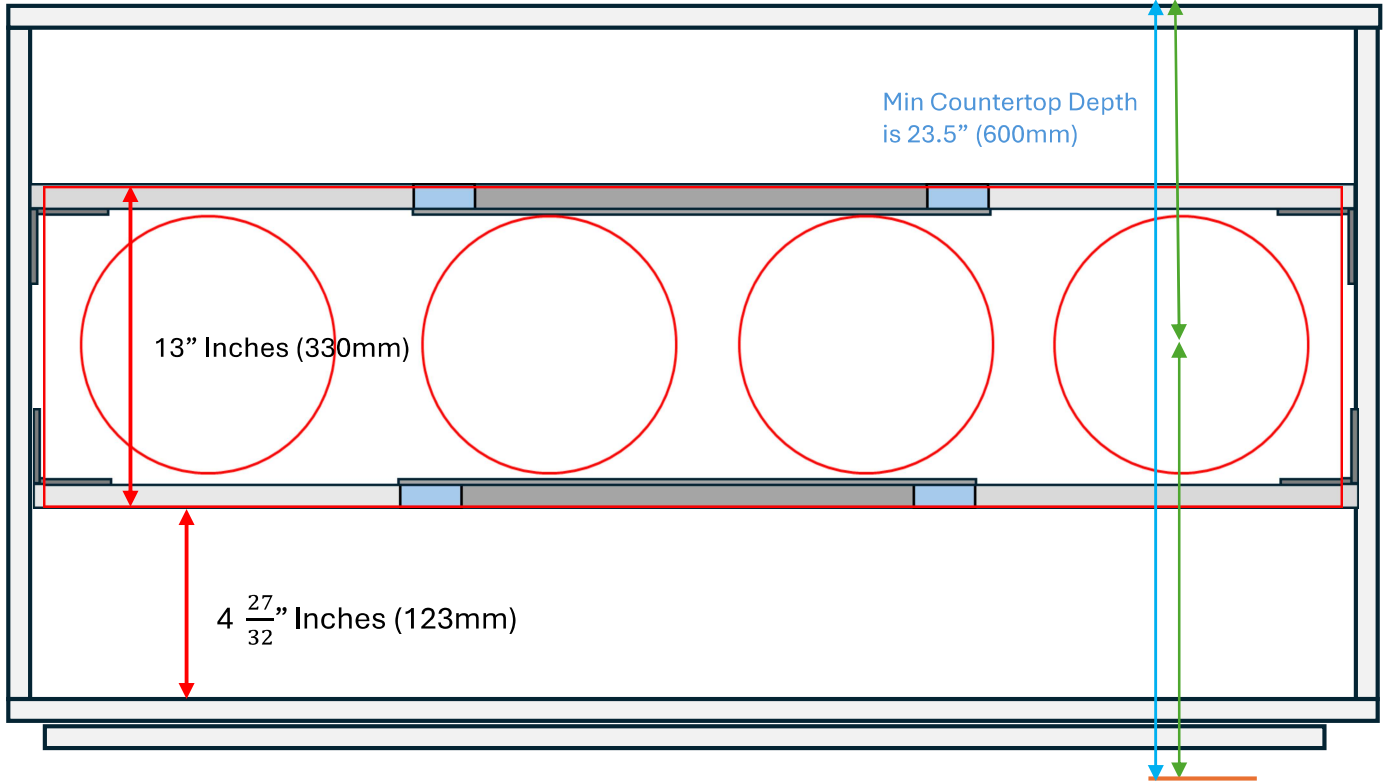
# 4 Burner Galley 220V

8145-257-001B

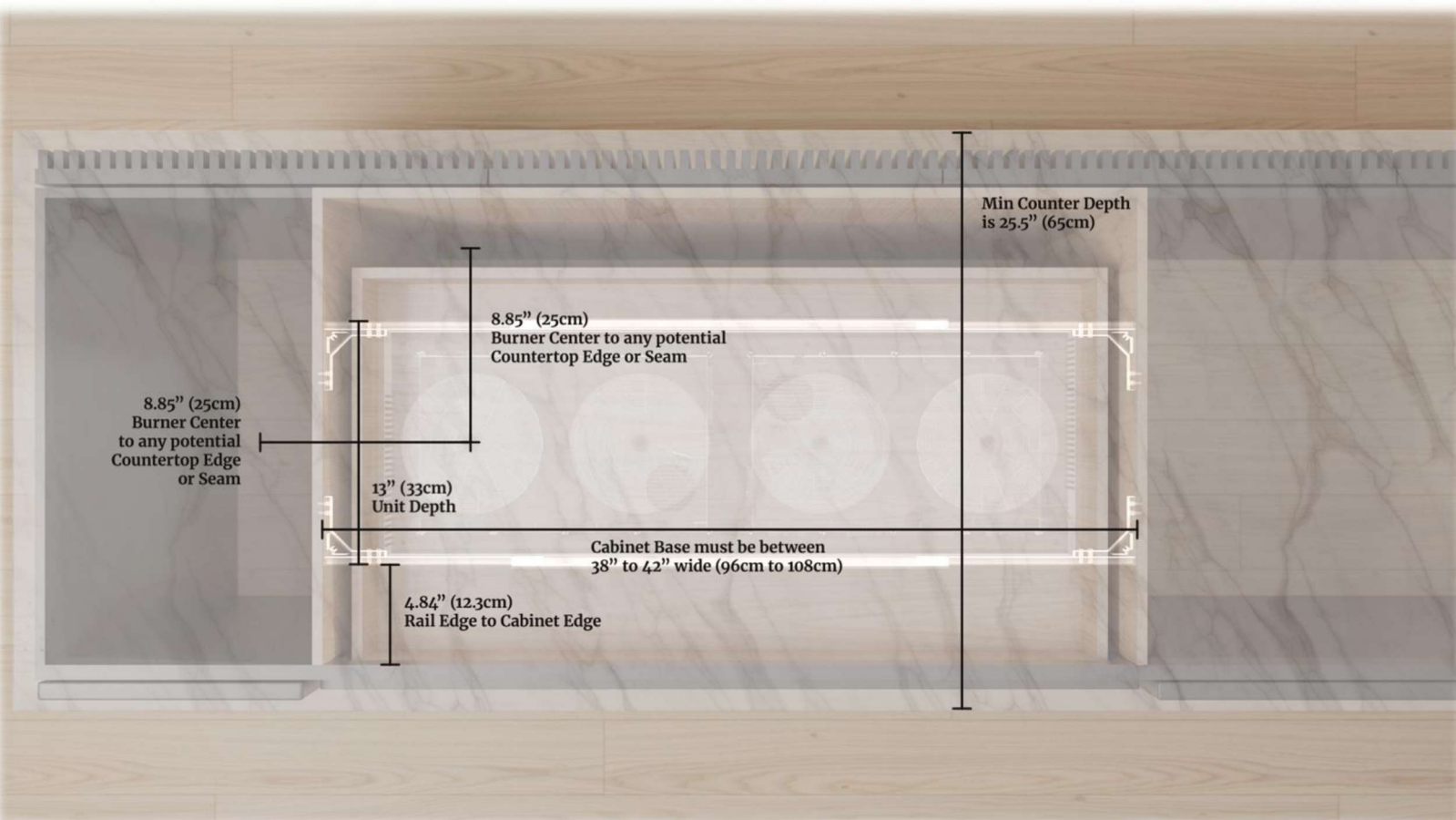


**4 Burner Straight Row, Framed  
in Installation of Rail in Galley  
Kitchen Use or Island**

*Countertop back side edge  
must meet the 25cm from  
center of burner*



*With this set back in the cabinet  
of the brackets, distance from  
edge is met!*





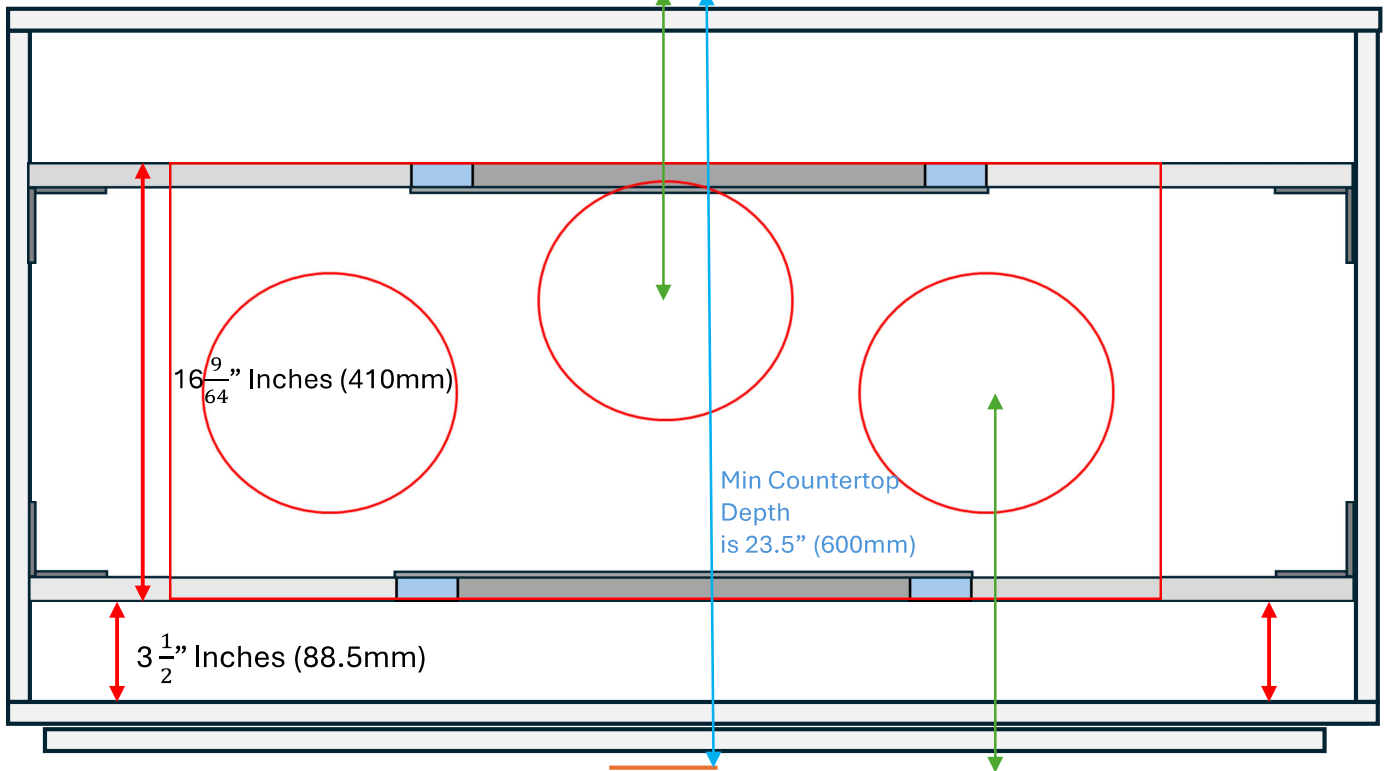
# 3 Burner 220V

8134-256-001B

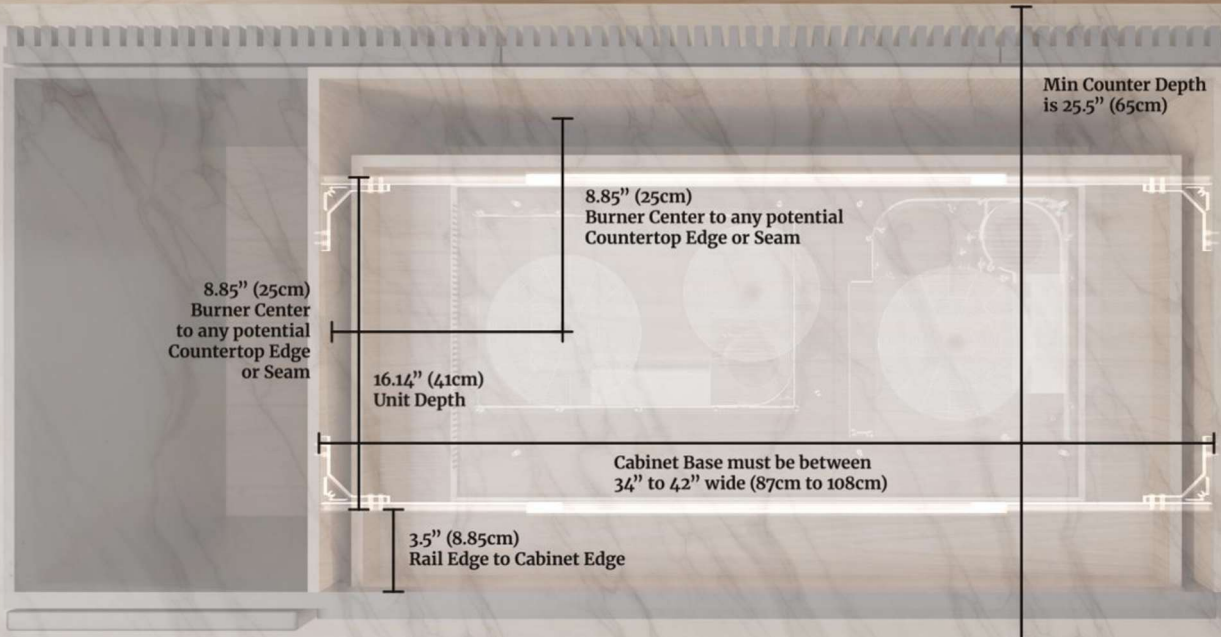


### 3 Burner Framed in Installation of Rail in a Galley Kitchen

Countertop back side edge must meet the 25cm from center of burner



With this set back in the cabinet of the brackets, distance from edge is met!





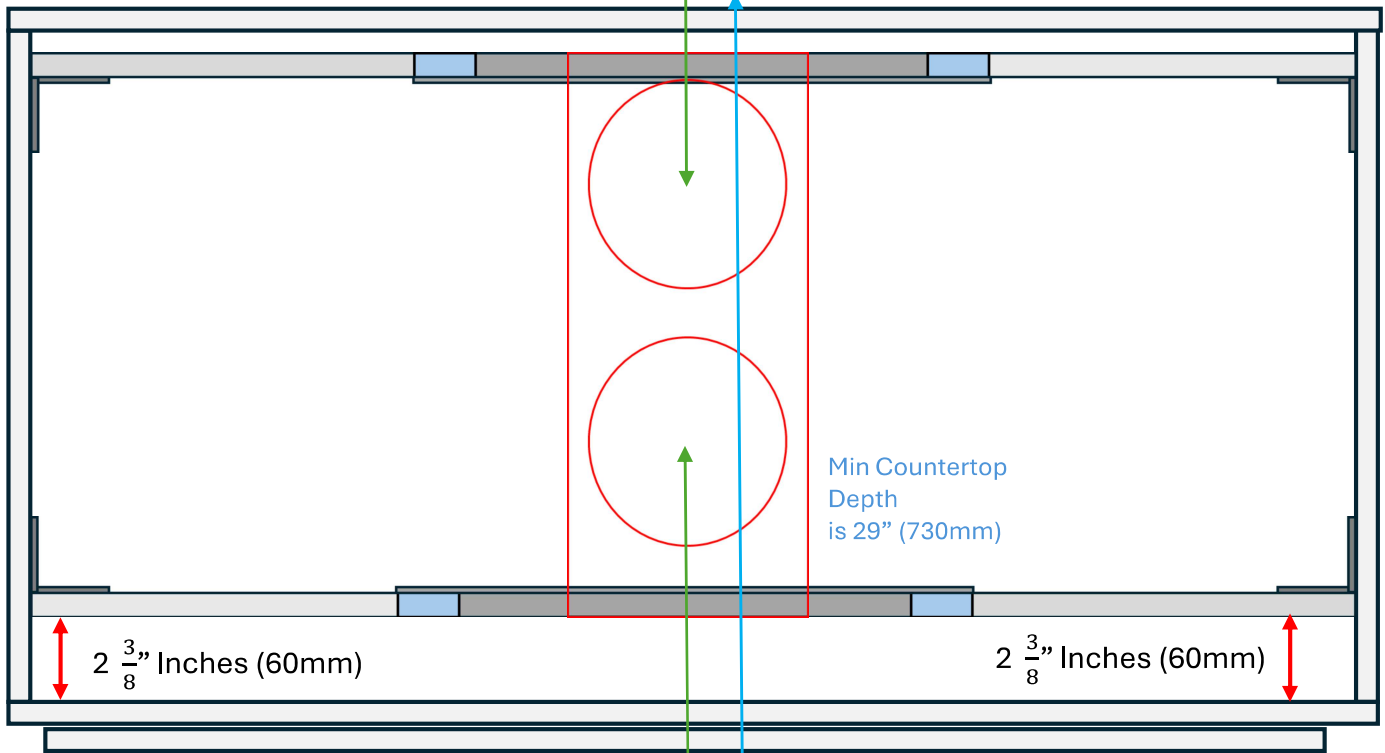
**2 Burner 110V or 220V**

**8121-257-001B**



**2 Burner Framed in  
Installation for Rail in  
Island Use Only**

*Countertop back side edge  
must meet the 25cm from  
center of burner*

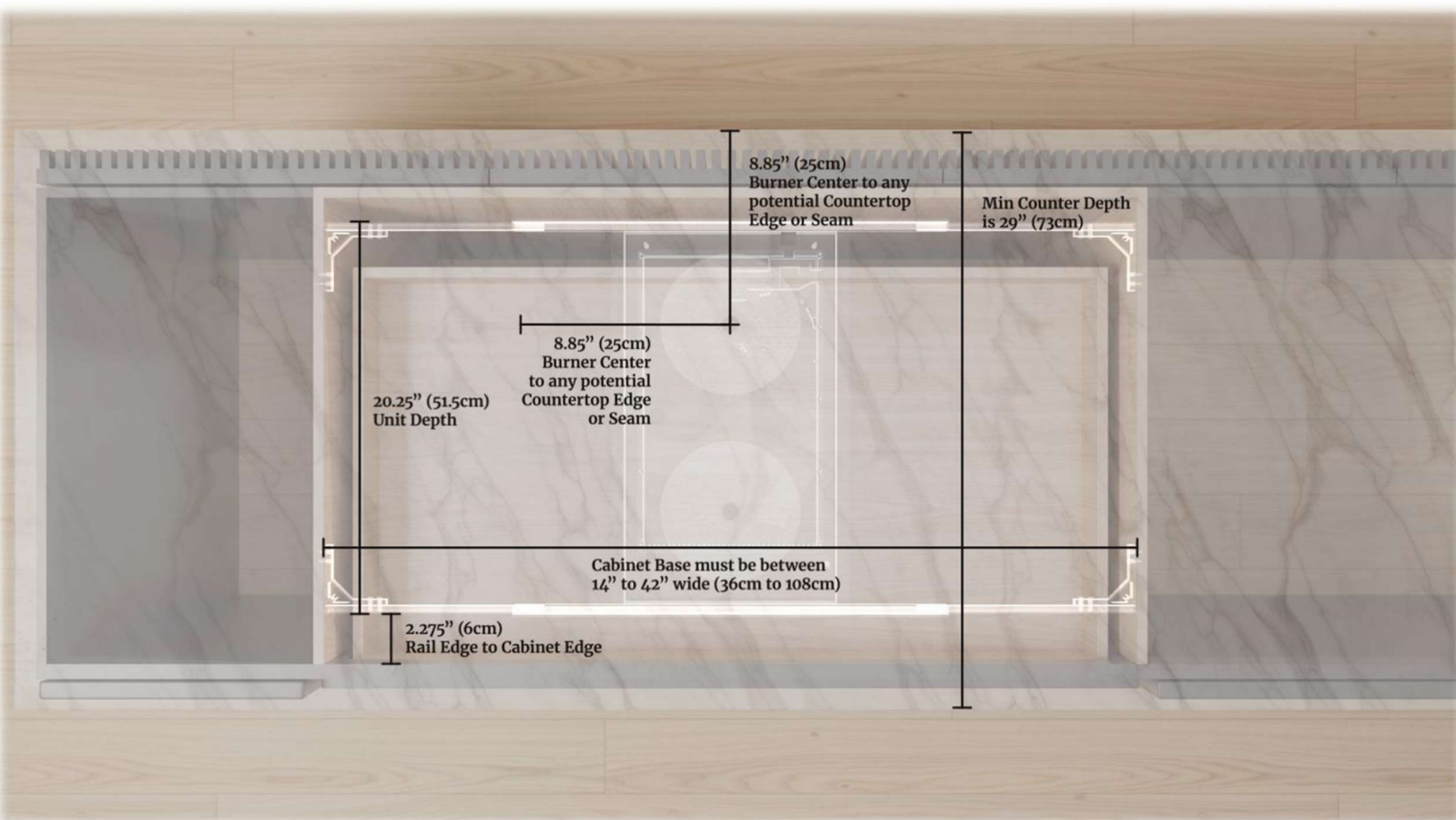


Min Countertop  
Depth  
is 29" (730mm)

2  $\frac{3}{8}$ " Inches (60mm)

2  $\frac{3}{8}$ " Inches (60mm)

*With this set back in the cabinet  
of the brackets, distance from  
edge is met!*



8.85" (25cm)  
Burner Center to any  
potential Countertop  
Edge or Seam

Min Counter Depth  
is 29" (73cm)

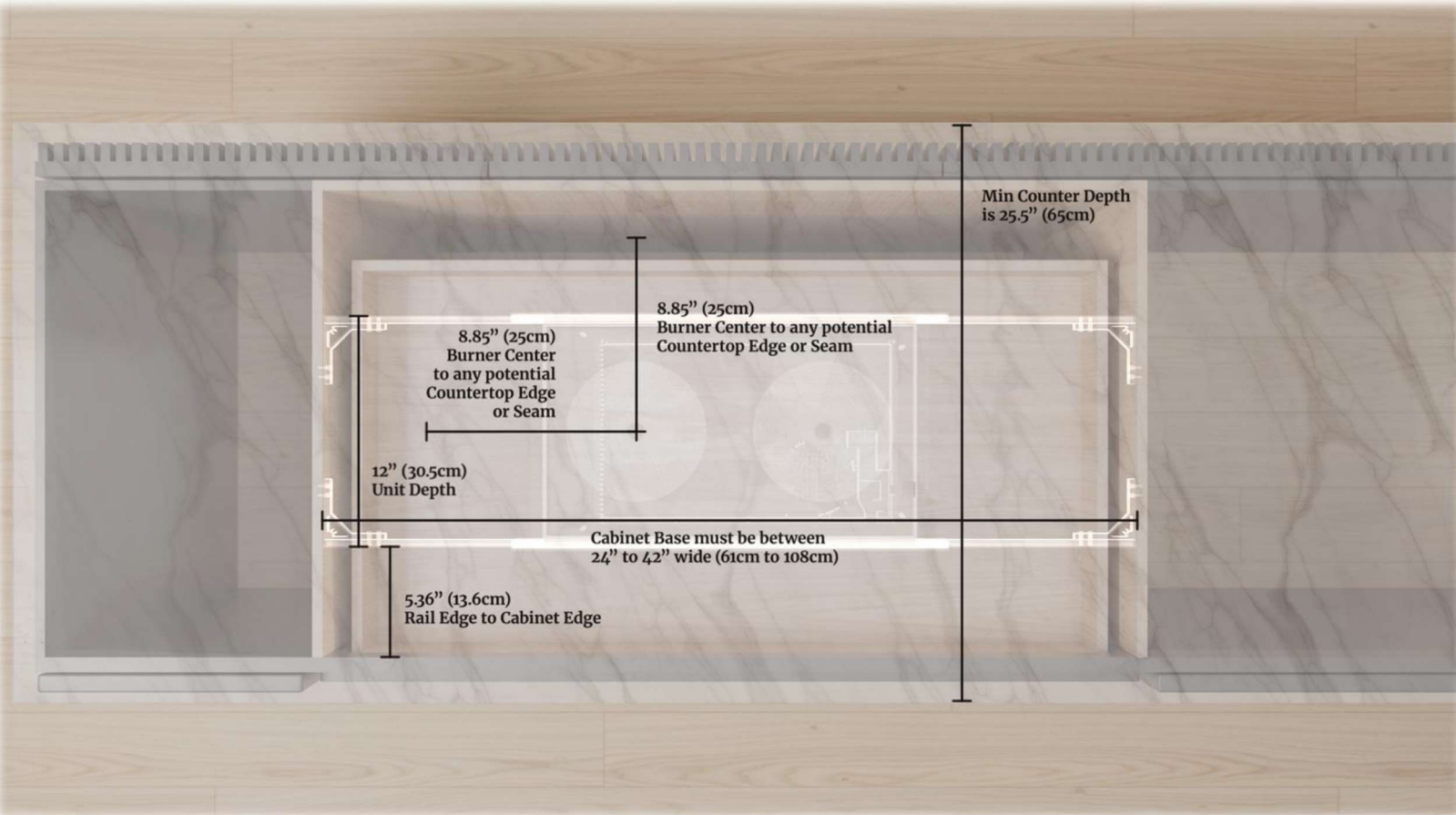
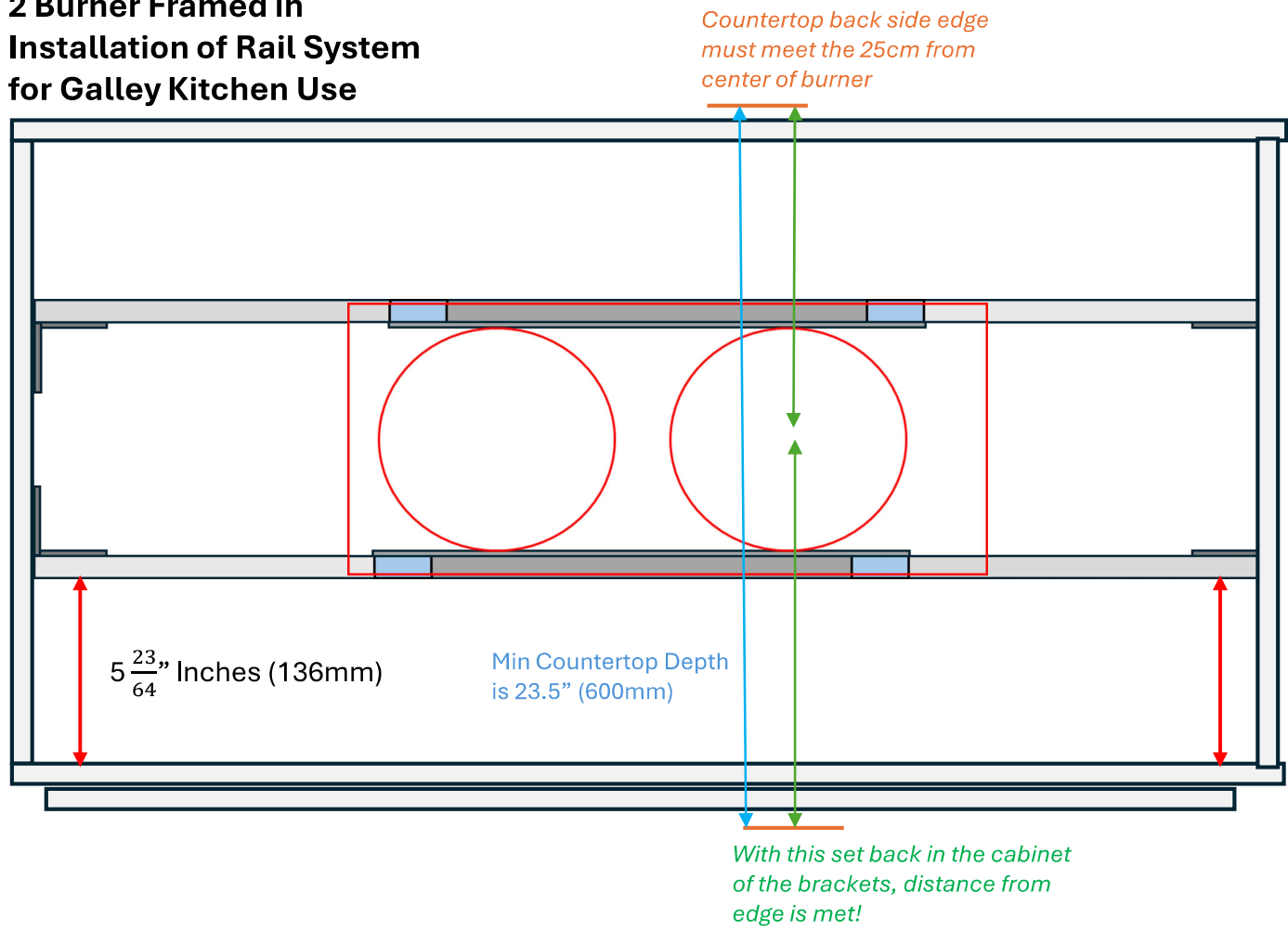
20.25" (51.5cm)  
Unit Depth

8.85" (25cm)  
Burner Center  
to any potential  
Countertop Edge  
or Seam

Cabinet Base must be between  
14" to 42" wide (36cm to 108cm)

2.275" (6cm)  
Rail Edge to Cabinet Edge

**2 Burner Framed in  
Installation of Rail System  
for Galley Kitchen Use**





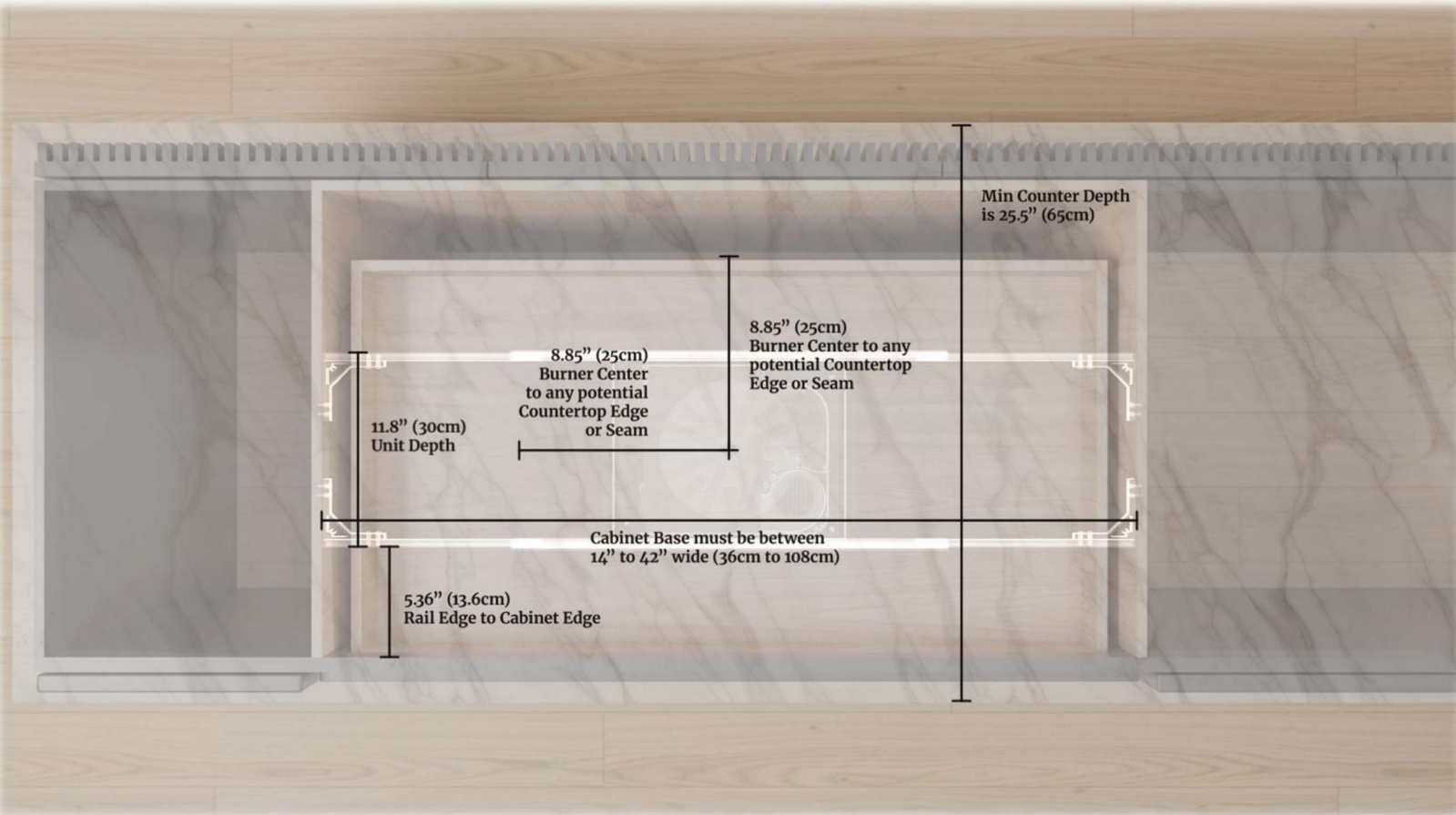
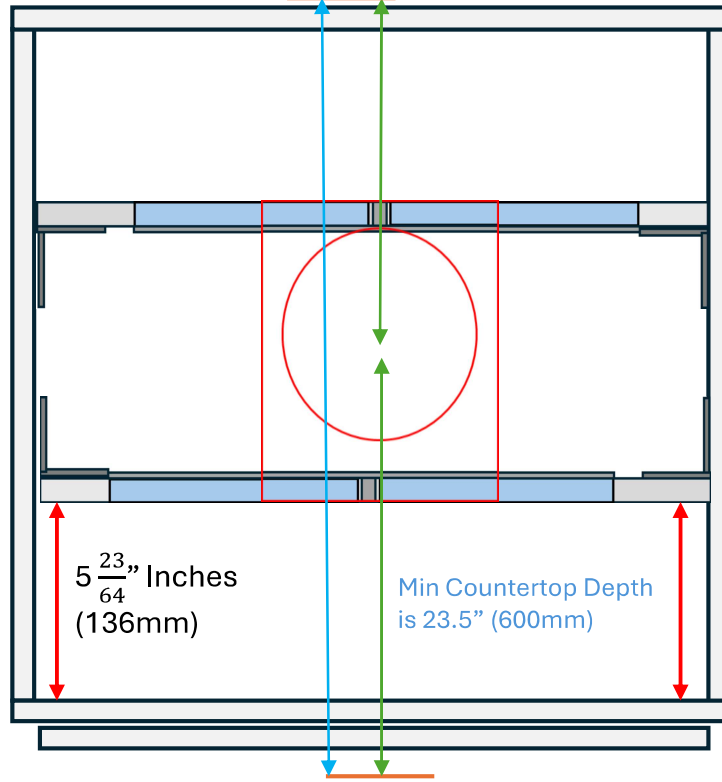
**1 Burner 110V or 220V**

**8113-256-001B**



**1 Burner Framed in Installation  
of Rail System for Galley Kitchen**

*Countertop back side edge  
must meet the 25cm from  
center of burner*

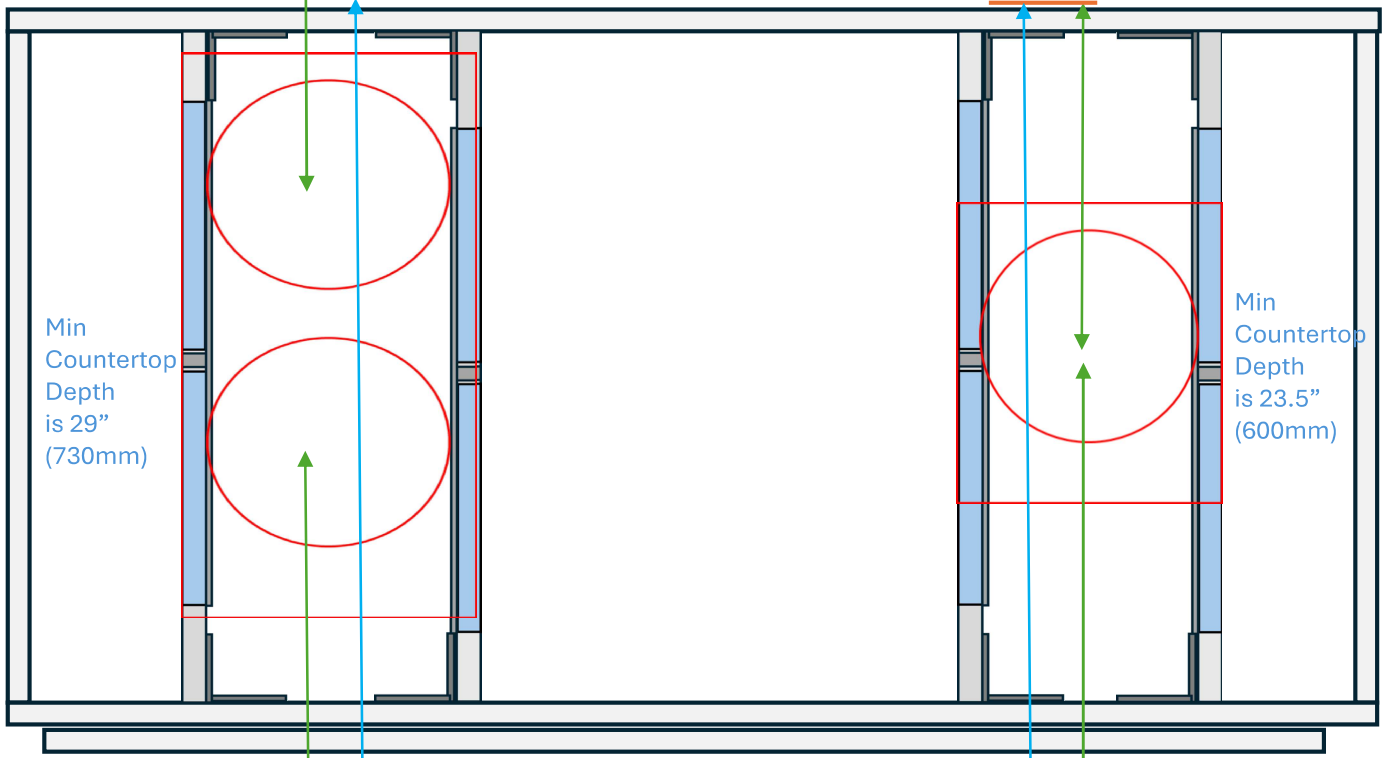


# 1 & 2 Burner Framed in Installation for Rail in Cabinets smaller

then 22" must be installed Vertical

Countertop back side edge must meet the 25cm from center of burner

Countertop back side edge must meet the 25cm from center of burner



Min Countertop Depth is 29" (730mm)

Min Countertop Depth is 23.5" (600mm)

With this set back in the cabinet of the brackets, distance from edge is met!

With this set back in the cabinet of the brackets, distance from edge is met!



