



DISHWASHER / LAVAPLATOS / LAVE-VAISSELLE

INSTRUCTION MANUAL / MANUAL DE INSTRUCCIONES
MANUEL D'INSTRUCTIONS

Model Number	DWF18V0W
Número de modelo	DWF18V1B
Numéro de modèle	DWF18V3S



BEFORE USE, PLEASE READ AND FOLLOW ALL SAFETY RULES AND OPERATING INSTRUCTIONS.

Avanti has a policy of continuous improvement on its products and reserves the right to change materials and specifications without notice.

Avanti Products LLC
P.O. Box 520604 - Miami, Florida 33152
www.avantiproducts.com

TABLE OF CONTENTS

Help Us Help You	3
Parts and Features	4
Before Using Your Dishwasher	4
Important Safety Instructions	5
Electrical Connection	5
Water Heater Safety	6
Before Using Your Dishwasher	6
Control Panel	7
Wash Cycle Descriptions	7 - 8
How to Use Your Dishwasher	8 - 9
Overflow Protection	9
Water Cut-Off Protection	9
Using the Detergent Dispenser	9
Using the Rinse Aid Dispenser	10 – 11
How to Efficiently Load Your Dishwasher	11
Caring and Maintenance	12 - 13
Problems with your Dishwasher?	14
Troubleshooting Guide	14 - 15
Service for your Dishwasher	16
Your Avanti Products Warranty	17
Instrucciones en Español	18 – 32
Instructions en Francais	33 - 48
Registration Information / Registration Card	Last Page

HELP US HELP YOU...

Read this guide carefully.

It is intended to help you operate and maintain your new dishwasher properly.

Keep it handy to answer your questions. If you don't understand something or you need more assistance, please call:

**Avanti Customer Service
1-800-220-5570**

Keep proof of original purchase date (such as your sales slip) with this guide to establish the warranty period.

Write down the model and serial numbers.

You'll find them on a plate located on the rear of the dishwasher.

Please write these numbers here:

Date of Purchase

Model Number

Serial Number

Use these numbers in any correspondence or service calls concerning your dishwasher.

If you received a damaged dishwasher, immediately contact the dealer (or builder) that sold you the dishwasher.

Save time and money. Before you call for service, check the Troubleshooting Guide. It lists causes of minor operating problems that you can correct yourself.

IF YOU NEED SERVICE

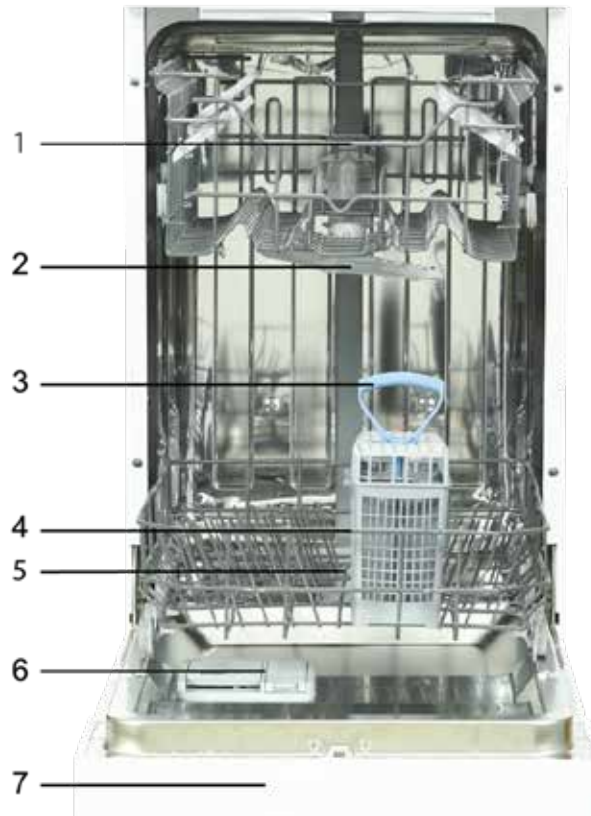
We're proud of our service and want you to be pleased. If for some reason you are not happy with the service you receive, here are some steps to follow for further help.

FIRST, contact the people who serviced your dishwasher. Explain why you are not pleased. In most cases, this will solve the problem.

NEXT, if you are still not pleased, write all the details, including your telephone number, and send it to:

**Customer Service
Avanti Products
P.O. Box 520604 -
Miami, Florida 33152**

PARTS AND FEATURES



1	Upper Rack
2	Upper Spray Arm
3	Silverware / Cutlery Basket
4	Lower Rack
5	Lower Spray Arm / Filter Assembly
6	Detergent Dispenser Rinse Aid Dispenser
7	Control Panel

Before Using Your Dishwasher

- Remove the exterior and interior packing.
- Check to be sure you have all of the following parts: 2 Wash Racks (1 Upper / 1 Lower)
 - 4 Cup Racks
 - 1 Silverware Basket
 - 1 Instruction Manual
 - 1 Installation Manual
- Clean the interior surface with lukewarm water using a soft cloth.

Important Safety Instructions

~ WARNING ~	To reduce the risk of fire, electrical shock, or injury when using your dishwasher, follow these basic precautions:
<ul style="list-style-type: none">• Read all instructions before using the dishwasher.• DANGER or WARNING: Risk of child entrapment.• Child entrapment and suffocation are not problems of the past. Junked or abandoned dishwashers are still dangerous. . . even if they will “just sit in the garage a few days.”• Before you throw away your old appliance: Take off the doors. Leave the shelves in place so that children may not easily climb inside.• Never allow children to operate, play with, or crawl inside the dishwasher.• Never clean dishwasher parts with flammable fluids.• Do not store or use gasoline or any other flammable vapors and liquids in the vicinity of this or any other dishwasher.• Plug the dishwasher into an exclusive properly installed-grounded wall outlet. Do not under any circumstances cut or remove the third (ground) prong from the power cord. Any questions concerning power and or grounding should be directed toward a certified electrician or an authorized Avanti Products service center <p style="text-align: center;">-Save these instructions-</p>	

Electrical Connection

~ Warning ~
<p>Improper use of the grounded plug can result in the risk of electrical shock. If the power cord is damaged, have it replaced by an authorized Avanti Products service center.</p> <p>Check with a qualified electrician or service representative if you are in doubt whether the appliance is properly grounded. Do not modify the plug provided with the appliance, if it will not fit the outlet, have a proper outlet installed by a qualified electrician.</p>

- This appliance must be grounded. In the event of a malfunction or breakdown, grounding will reduce the risk of electric shock by providing a path of least resistance for electric current. This appliance is equipped with a cord having an equipment-grounding conductor and a grounding plug. The plug must be plugged into an appropriate outlet that is installed and grounded in accordance with all local codes and ordinances.
- Do not under any circumstances cut or remove the third ground prong from the power cord supplied.
- Never use an extension cord to connect power to the unit.
- Never use a two-prong grounding adapter.
- Where a two-prong wall receptacle is encountered, contact a qualified electrician to have it replaced with a 3-prong receptacle in accordance with applicable electrical codes.
- This dishwasher requires a standard 110/120 volts A.C.~/60hz electrical outlet with three-prong ground.
- The cord should be secured behind the dishwasher and not left exposed or dangling to prevent accidental injury.
- Connect to a grounded metal, permanent wiring system: or run an equipment grounding terminal or lead of the appliance.
- Improper connection of the equipment grounding conductor can result in a risk of electric shock. Check with a qualified electrician or service representative if you are in doubt whether the appliance is properly grounded.
- Do not attempt to repair or replace any part of your dishwasher unless it is specifically recommended in this manual. All other servicing should be referred to a qualified technician.
- To minimize the possibility of electric shock, disconnect this appliance from the power supply before attempting any maintenance. **Note:** *Turning the dishwasher off does not disconnect the appliance from the power supply. We recommend having a qualified technician service your appliance.*

Water Heater Safety

Under certain conditions hydrogen may be produced in a water heater that has not been used for two weeks or more. Hydrogen gas is explosive.

If the hot water has not been used for two weeks or more, prevent the possibility of damage or injury by turning on all hot water faucets and allow them to run for several minutes. Do this before using any electrical appliance which is connected to the hot water system. This simple procedure will allow any built-up hydrogen gas to escape. Since the gas is flammable, do not smoke or use an open flame or appliance during this process.

Use this appliance only for its intended purpose as described in this Owner's Manual.



WARNING

READ FOR PROPER USE

- Do not abuse, sit on, or stand on the door or dish rack of the dishwasher.
- Do not touch the heating element during or immediately after use.
- Do not wash plastic items unless they are marked dishwasher safe or the equivalent. For plastic items not so marked, check the manufacturer recommendations.
- Use only detergent and rinse additives designed for an automatic dishwasher. Using detergent that is not specifically designed for dishwashers will cause the dishwasher to fill with suds.
- Keep children away from detergent and rinse aid, keep children away from the open door of the dishwasher, there could still be some detergent left inside.
- The door should not be left in the open position since this could present a tripping hazard.
- During installation, the power supply must not be excessively bent or flattened.
- To reduce the risk of injury, do not allow children to play in or on a dishwasher.
- Do not operate your dishwasher unless all enclosure panels are properly in place. Open the door very carefully if the dishwasher is operating, there is a risk of water squirting out.
- Do not place any heavy objects or stand on the door when it is open. The appliance could tip forward.
- When loading items to be washed:
 - 1) Locate sharp items so that they are not likely to damage the door seal;
 - 2) Load sharp knives with the handles up to reduce the risk of cut-type injuries.
- When using your dishwasher, you should prevent plastic items from contacting with heating element.
- If the supply cord is damaged, it must be replaced by the manufacturer or its service agent or similarly qualified person in order to avoid a hazard.
- Please dispose of packing materials properly.
- Use the dishwasher only for its intended function.
- Remove the door when removing an old dishwasher from service or discarding it.
- Do not tamper with controls.
- Do not touch the heating element during or immediately after use.

Before Using Your Dishwasher

- Remove the exterior and interior packing.
- Check to be sure you have all of the following parts:
 - 2 Wash Racks (1 Upper / 1 Lower)
 - 4 Cup Racks
 - 1 Silverware Basket
 - 1 Instruction Manual
 - 1 Installation Manual
- Clean the interior surface with lukewarm water using a soft cloth.

CONTROL PANEL

Once the program has been selected, the appropriate indicator light will flash/blink intermittently.

Pre-Programmed Wash Program

<i>Program</i>	<i>Cycle Selection Information</i>	<i>Running time (Mins)</i>	<i>Option Half Load</i>	<i>Option Extra Dry</i>	<i>Option Extra Rinse</i>	<i>Option Sanitize</i>	<i>Option Hi-Temp</i>
----------------	------------------------------------	----------------------------	-------------------------	-------------------------	---------------------------	------------------------	-----------------------

Regular Standard program for daily, regular or typical use to completely wash a load of normally soiled dishes.

140

Using Your Appliance:

SELECTING A WASH PROGRAM:

- 1) Press and hold the "ON/OFF" button to turn on your machine.
- 2) Refer to the Pre-Programmed Wash Cycles table on the previous page, to select a wash program suitable for your needs.
- 3) Press the "PROGRAM SELECTOR" button until the number of the program you selected appears in the display.
- 4) Press the "START / PAUSE" button to activate the wash program.
- 5) If you must add an item during the wash cycle, press Start/Pause button, open the door, add your item, close the door of your appliance and press Start/Pause button to continue the activated wash program.
- 6) It is not recommended to open the door of your machine while the activated wash program is running. Even so if the door is opened and not closed within approximately 4 seconds, the unit will not continue the wash program. In this case, you must close the door and press the "START/PAUSE" button again to continue the wash program.

CANCELLING A WASH PROGRAM:

- 1) Press and hold the "START/PAUSE" button for approximately 3 seconds.
- 2) The display will show "1" to confirm cancellation of the wash program.

Note: If the door is opened during the cancelling process, the door must be closed within 4 seconds to continue the cancelling process.

If the door is not closed during the 4 seconds, close the door and simply press the "START/PAUSE" button again to continue the cancelling process of the wash program.

SELECTING AN OPTIONAL WASH OPTION:

- 1) Select the desired Pre-Programmed Wash Program as directed above.
- 2) Before pressing the "START/PAUSE" BUTTON, press the "OPTIONS" button.
- 3) Continue to press until the indicator light of the option (Half-Load or Hi-Temp) you desire is illuminated.
- 4) Press Extra button in order to choose from Sanitize / Extra Rinse / Extra Dry options.
- 5) Close the door of your appliance and press the "START / PAUSE" button to activate the wash program.

Wash Options:

HALF LOAD:

This option allows you to save energy and wash a smaller load. This option should be used when washing less than a full load or in the event you do not want to load the washer and run later when completely loaded.

SANITIZE:

When the Sanitize option is selected, the water temperature will be maintained at 156°F/69°C (maximum). The maximum temperature may not be reached if the incoming water temperature is not adequate.

Residential dishwashers are not intended for licensed food establishments or Commercial applications.

HI-TEMP:

When the HI-Temp option is selected, the water temperature will be maintained at 140°F/60°C (maximum). The maximum temperature may not be reached if the incoming water temperature is not adequate.

Residential dishwashers are not intended for licensed food establishments or Commercial applications.

EXTRA DRY:

When the EXTRA DRY option is selected, the machine changes the water temperature for each program and the extra dry is performed.

EXTRA RINSE:

When the EXTRA RINSE option is selected, washing-rinsing steps will be added into the selected program so you can ensure that your dishes will be extra clean and glossier.

DELAY:

To delay the start of a selected cycle, press the Delay Start button until the desired delay time shows in the LED display. You can delay the start time for 1 to 19 hours. To cancel the delay start option before the set delay period is over, simply press and hold the DELAY button for approximately 3 seconds.

- 1) Select the desired Pre-Programmed Wash Program as directed above.
- 2) Before pressing the "START/PAUSE" BUTTON, press the "DELAY" button.
- 3) Set the "delay" time by pressing the "DELAY" timer button. Time will increase in increments of 1 hour with each press of the button.
- 4) Once the "DELAY" button is pressed the display will alternately show 1H and will also show the program number selected within 2 seconds of the delay time.
- 5) Close the door of your appliance and press the "START / PAUSE" button.

Note: If you open and close the door of the machine during the delay timer mode, or there has been a loss of electric power, the machine will continue in delay timer mode until the timer has run out and will start the wash program as selected.

CANCELLING A DELAY TIME SET:

To cancel the delay timer function once set.

- 1) Press and hold the "DELAY" button for approximately 3 seconds.
- 2) After 3 seconds, the display will show "0h" confirming the cancellation of the delay timer program.
- 3) You can now select a new wash program as previously directed above.

Note: You cannot set a delay time mode once a wash program has begun.

END OF CYCLE

At the end of the wash cycle, "0" will be shown in the display.

Open the door of the machine, press and hold the "START/PAUSE" button for approximately 3 seconds to turn the unit off.

OVERFLOW PROTECTIONS

Our Avanti dishwasher has an overflow protection device which could automatically shut off the inlet valve and start the drain pump if the water overflows. In the event of an overflow, the system display will flash "F1" and will attempt to drain the water. If the overflow stops and the system drains the water the "F1" will disappear.

If the system cannot stop the overflow condition, turn off the main water supply before calling a servicer. If there is water in the base pan because of an overflow or small leak, the water should be removed using a sponge before restarting the dishwasher.

WATER CUT OFF - WARNING

If during a wash cycle the water main is cut-off or turned off and the machine cannot take in water the display will flash "FF". As long as the condition or lack of water remains the display will continue to flash "FF", once the water is returned to the unit, it will return to normal working mode.

LOSS OF ELECTRIC POWER - WARNING

If during a wash cycle the electricity is lost or turned off or the door of the machine has been opened, the machine cannot operate normally, the machine will return to normal working mode after 8 seconds once the power has returned and if the internal temperature of the unit is above 113°F.

DETERGENT DISPENSER

The dispenser must be refilled before the start of each wash cycle following the instructions provided in the “Wash Cycle Table”. Your dishwasher uses less detergent and rinse aid than conventional dishwashers. Generally, only one teaspoon of detergent is needed for a normal wash load, heavily soiled items may need more detergent. Always add the detergent just before starting the dishwasher, otherwise it could become damp and not dissolve properly.

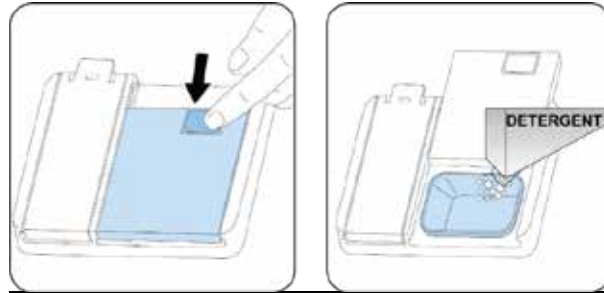
Amount of Detergent to Use

IF THE WATER IN YOUR AREA IS NOT TOO HARD, YOU MAY ALSO PREVENT THE FORMATION OF DEPOSITS BY DETERGENT

The amount of detergent needed can vary due to differences in the water hardness of your area. To determine the water hardness in your area, contact your local water utility or area water softening company. The harder the water, the more detergent you may need. Remember, you should adjust the amount of detergent you use by small amounts until you find the correct amount.

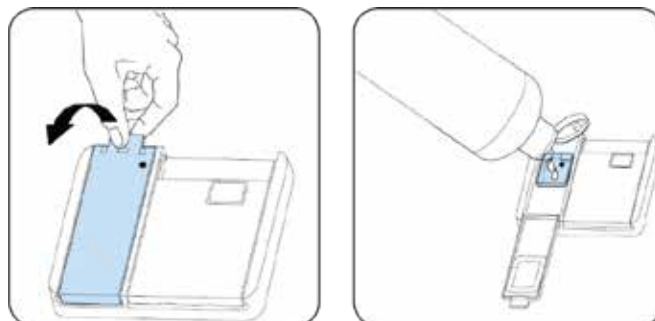
Proper Use Of Detergent

Use only detergent specifically made for use in dishwasher. Keep your detergent fresh and dry. Don't put powder detergent into the dispenser until you're ready to wash dishes.



Rinse Aid Dispenser

- Your dishwasher is designed to use liquid rinse aids. The rinse-aid dispenser is located on the door next to the detergent dispenser. Fill the rinse-aid dispenser until the maximum level (approximately 150ml of liquid rinse-aid). Be sure not to overfill the dispenser as this will cause over-sudsing. Wipe away any spills with a damp cloth. Keep in mind that if you have soft water, you may not need to use a rinse-aid as it may cause a white film to develop on your dishes.
- To open the dispenser, lift up the Rinse Aid reservoir cover as shown below.
- Pour the rinse-aid into the dispenser, being careful not to overfill.
- Replace the cover after filling.
- The rinse-aid is released during the final rinse to prevent water from forming droplets on your dishes that can leave spots and streaks. It also improves drying by allowing the water to “sheet” off the dishes.



Adjusting Rinse Aid Dispenser

A measured amount of rinse aid is released during the final rinse. As with detergent, the amount of rinse aid needed for your dishes depends on the hardness of the water in your area. Too much rinse aid can result in lather or foaming and cause cloudiness or streaks on your dishes. If the water in your area is very soft, you may not need rinse aid. If you do, you can dilute the rinse aid with an equal amount of water.

When To Refill The Rinse Aid Dispenser

Refill the Rinse Aid reservoir when the Rinse Aid indicator light on the control panel is illuminated.

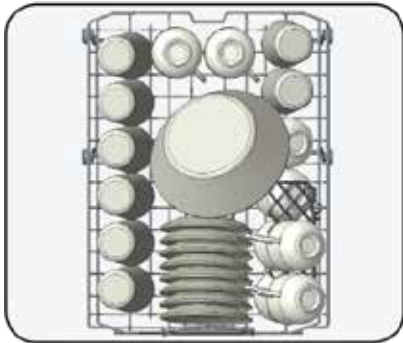
How to load your dishwasher

For best results, follow these loading guidelines.

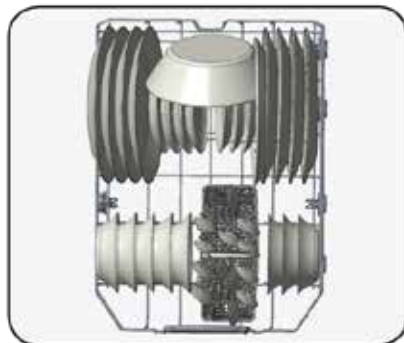
Recommendations : Remove any coarse residue on dishes before placing the dishes in the machine. Start the machine with full load.

Do not overload the drawers or place dishes in the wrong basket.

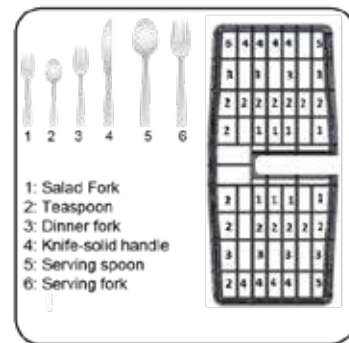
WARNING: Always place sharp utensils with the sharp point down and open utensils with their openings down.



Upper Rack Loading Pattern



Lower Rack Loading Pattern



Cutlery Basket Loading Pattern

How to Use the Upper Rack

The upper rack is designed to hold more delicate and lighter dishware such as glasses, coffee and teacups and saucers, as well as plates, small bowls and shallow pans (as long as they are not too dirty). Position the dishes and cookware so that they do not get moved by the spray of water.

The upper rack can be adjusted for height by putting wheels at different height into the rails.



Caution: Make sure that the rack is empty. Changing the height setting while the rack contains tableware could cause the contents to dislodge, causing personal injury or damage to the tableware.

- 1) Release the latches on both the right and left tracks of the upper rack by turning them toward the outside (illustration A).
- 2) Pull out the rack completely. (illustration B).
- 3) Place the rack into the track again at the desired height (illustration C).
- 4) Push the latches back into the correct position.

How To Use The Lower Rack

We recommend that you place large items which are most difficult to clean into the lower rack: pots, pans, lids, serving dishes and bowls, as shown in the figure below.

It is preferable to place serving dishes and lids on the side of the racks in order to avoid blocking the rotation of the top spray arm.

Pots, serving bowls, etc, must always be placed top down. Deep pots should be slanted to allow water to flow out. The bottom rack features fold down tine rows so that larger or more pots and pans can be loaded.

Silverware Basket

Silverware should be placed in the silverware basket with handles at the bottom: if the rack has side baskets, the spoon should be loaded individually into the appropriate slots, especially long utensils should be placed in the horizontal position at the front of the upper rack.

Caring And Maintenance

To clean the control panel use a lightly dampened cloth then dry thoroughly. To clean the exterior use a good appliance polish wax.

Never use sharp objects, scouring pads or harsh cleaners on any part of the dishwasher.

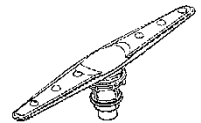
Protect against freezing

If your dishwasher is to be left in an unheated place during the winter, ask a service technician to:

1. Cut off electrical power to the dishwasher. Remove fuses or trip circuit breaker.
2. Turn off the water supply and disconnect the water inlet pipe from the water valve.
3. Drain water from the inlet pipe and water valve. (Use a pan to catch the water.)
4. Reconnect the water inlet pipe to the water valve.
5. Remove the plastic sump cover in the tub at the bottom and use a sponge to soak up water in the rubber boot.

Cleaning The Spray Arms

It is necessary to clean the spray arms regularly or hard water chemicals will clog the spray arm jets and bearings. To remove the spray arm, pull the nut out by hand in an upward direction. Wash the arms in soapy and warm water and use a soft brush to clean the jets. Replace them after rinsing them thoroughly.



Filtering System

For your convenience, we have placed the drain pump and filtering system within easy reach inside the tub. There are three components of the filtering system: the coarse filter, the fine filter, and the main filter.

1. Coarse Filter

Larger items, such as pieces of bone or glass, that could clog the drain are trapped in the coarse filter. To remove an item caught in this filter, gently turn the top of the Coarse filter in a counter-clockwise direction and lift it out.

2. Fine Filter

This filter holds soil and food residue in the sump area and prevents it from being re-deposited on the dishes during a cycle.

3. Main Filter

Food and soil particles trapped by this filter are pulverized by a special jet on the lower spray arm and washed down the drain.

Cleaning The Filter assembly

Turn the Coarse filter in a counter-clockwise direction.

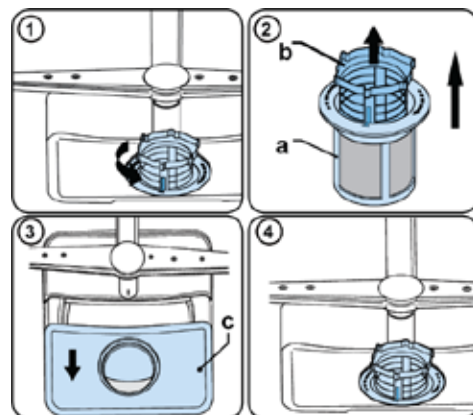
1. Lift the Coarse filter (b) together with the Fine Filter (a)
2. Separate the Fine filter by lifting it out from the Course Filter (b).
3. Lift out the Main filter (c).

To replace the filter assembly follow the same steps in reverse. For best performance and results, the filter assembly must be cleaned.

The dishwasher must never be used without the filters.

Improper replacement of the filter may reduce the performance level of the appliance and damage dishes and utensils.

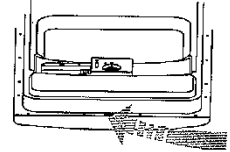
WARNING – Never run the dishwasher without the filters in place.



Cleaning The Door

To clean the edge around the door, you should use only a soft warm, damp rag. To prevent penetration of water into the door lock and electrical components, do not use a spray cleaner of any kind.

Also, never use abrasive cleaners or scouring pads on the outer surfaces because they will scratch the finish. Some paper towels can also scratch or leave marks on the surface.



WARNING - Never use a spray cleaner to clean the door panel for it could damage the door lock and electrical components. It is not allowed to use the abrasive agent or some paper towel because of the risk of scratching or leaving spots on the stainless steel surface.

How To Keep Your Dishwasher In Shape

After every wash

After every wash, turn off the water supply to the appliance and leave the door slightly ajar so that moisture and odors are not trapped inside.

No solvents or abrasive cleaning products

To clean the exterior and rubber parts of the dishwasher, do not use solvents or abrasive cleaning products. Rather, use only a cloth and warm soapy water. To remove spots or stains from the surface of the interior, use a cloth dampened with water and a little white vinegar, or a cleaning product made specifically for dishwashers.

When you go on Holiday

When you go on holiday, it is recommended that you run a wash cycle with the dishwasher empty and then remove the plug from the AC socket, turn off the water supply and leave the door of the appliance slightly ajar. This will help the seals last longer and prevent odors from forming within the appliance.

Seals

One of the factors that cause odors to form in the dishwasher is food that remains trapped in the seals. Periodic cleaning with a damp sponge will prevent this from occurring.

PROBLEMS WITH YOUR DISHWASHER?

You can solve many common dishwasher problems easily, saving you the cost of a possible service call. Try the suggestions below to see if you can solve the problem before calling the servicer.

TROUBLESHOOTING GUIDE

PROBLEM	POSSIBLE CAUSE	WHAT TO DO
Dishwasher does not operate.	The circuit breaker tripped or blown fuse. Power supply is not turned on. Water pressure is low.	Replace fuse or reset circuit breaker. Remove any other appliances sharing the same circuit with the dishwasher Make sure the dishwasher is turned on and the door is closed securely. Make sure the power cord is properly connected. Check that the water supply is connected properly and the water is turned on.
Drain pump doesn't stop	Overflow	The system is designed to detect an overflow. When it doesn't it shuts off the circulation pump and turns on the drain pump. See Over Flow
Noise	Some audible sounds are normal. Utensils are not secured in the baskets or something small has dropped into the basket. Motor hums.	Sound from soft food shredding action and detergent cup opening. Ensure everything is secured in the dishwasher. Dishwasher has not been used regularly. If you do not use it often, remember to set it to fill and pump out every week, which will help keep the seal moist.
Suds in the tub	Improper detergent. Spilled rinse agent.	Use only the special dishwasher detergent to avoid suds. If this occurs, open the dishwasher and let suds evaporate. Add 1 gallon of cold water to the tub. Close and latch the dishwasher, then drain out the water by slowly turning the dial until a drain period is reached. Repeat if necessary. Always wipe-up rinse agent spills immediately.
Stained tub interior	Detergent with colorant was Used.	Make sure that the detergent is the one without colorant.
Dishes are not dried	Rinse agent dispenser is empty.	Make sure the rinse agent dispenser is filled.
Dishes and flatware not clean.	Improper program. Improper rack loading.	Select a stronger program. Make sure that the action for the detergent dispenser and spray arms are not blocked by large dishware.
Cloudiness on glassware.	Combination of soft water and too much detergent.	Use less detergent if you have soft water and select a shorter cycle to wash the glassware to get them clean.
Yellow or brown film on inside surfaces.	Tea or coffee stains. Iron deposits in water can cause an overall film.	Using a solution of ½ cup bleach and 3 cups warm water to remove the stains by hand. Warning You have to wait for 20 minutes after a cycle to let the heating elements cool down before cleaning interior: otherwise, burns will happen. You have to call a water softener company for a special filter.

White film on inside surface.	Hard water minerals	To clean the interior, use a damp sponge with dishwasher detergent and wear rubber gloves. Never use any other cleaner than dishwasher detergent for the risk of foaming or suds.
Detergent left in dispenser cups.	Dishes block detergent cups.	Re-load the dishes properly.
Steam	Normal phenomenon	There is some steam coming through the vent by the door latch during drying and water draining.
Black or gray marks on dishes.	Aluminum utensils have rubbed against dishes.	Use a mild abrasive cleaner to eliminate those marks.
Water standing in the bottom of the tub.	This is normal.	A small amount of clean water around the outlet on the tub bottom at the back of the tub keeps the water seal lubricated.
Water doesn't pump out of the tub.	Drain is clogged.	Make sure the kitchen sink is draining well. If the dishwasher drains into a disposer, run it clear.
Dishwasher leaks.	Overfill dispenser or rinse aid spills. Dishwasher isn't level.	Be careful not to overfill the rinse aid dispenser. Spilled rinse aid could cause oversudsing and lead to overflowing. Wipe away any spills with a damp cloth. Make sure the dishwasher is level.

ERROR CODE WARNINGS - DESCRIPTIONS

ERROR CODE	CONDITION	WHAT TO DO
FF	Water Inlet System Failure	Make sure the water inlet tap is open and water is flowing. Separate the inlet hose from the tap and clean the filter of the hose. Contact service if the error continues.
F5	Pressure System Failure	Contact customer service.
F3	Continuous Water Input	Close the tap and contact customer service.
F2	Inability to Discharge Water	Water discharge hose and filters may be clogged. Cancel the program, if error continues contact service.
F8	Heater Error	Contact customer service
F1	Overflow	Unplug the machine and close the tap, contact customer service.
FE	Faulty Electronic Card	Contact customer service
F7	Overheating	Contact customer service
F9	Diverter Position Error	Contact customer service
F6	Faulty Heater Sensor	Contact customer service
HI	High Voltage Failure	Contact customer service

SERVICE FOR YOUR DISHWASHER

We are proud of our customer service organization and the network of professional service technicians that provide service on your Avanti dishwashers. With the purchase of your Avanti dishwasher, you can have the confidence that if you ever need additional information or assistance, the Avanti Products Customer Service team will be here for you. Just call us toll-free.

AVANTI PRODUCTS CUSTOMER SERVICES

Product Information 800-323-5029	Whatever your questions are about our products, help is available.
Part Orders 800-220-5570	You may order parts and accessories that will be delivered directly to your home, by personal check, money order, Master Card, or Visa.
In-Home Repair Service 800-220-5570	An Avanti Products authorized service center will provide expert repair service, scheduled at a time that is convenient for you. Our trained servicers know your dishwasher inside and out.

<p align="center">YOUR AVANTI PRODUCTS WARRANTY</p>	<p>Staple your sales receipt here. Proof of original purchase date is needed to obtain service under warranty.</p>
<p>WHAT IS COVERED – LIMITED ONE-YEAR WARRANTY Avanti Products warrants that the product is free from defects in materials and/or workmanship for a period of twelve (12) months from the date of purchase by the original owner. The foregoing timeline begins to run upon the date of purchase, and shall not be stalled, tolled, extended, or suspended for any reason whatsoever unless described in detail in the warranty document. For one year from the date of purchase by the original owner, Avanti products will, at its option, repair or replace any part of the product which proves to be defective in material or workmanship under normal use. Avanti Products will provide you with a reasonably similar product that is either new or factory refurbished. During this period Avanti Products will provide all parts and labor necessary to correct such defects free of charge, so long as the product has been installed and operated in accordance with the written instructions in this manual. In rental or commercial use, the warranty period is 90 days. All Avanti appliances of 3.5 cubic feet capacity or less must be brought/sent to the appliance service center for repair.</p>	
<p align="center"><u>THIS SECTION APPLIES TO CLOTHES WASHERS ONLY</u></p>	
<p>LIMITED FIVE YEAR WARRANTY ON PLASTIC TUB After one year and until five years from the date of purchase, Avanti Products will furnish a replacement plastic tub, for one which is defective in material or workmanship. All labor and transportation charges are the responsibility of the consumer.</p>	
<p>LIMITED SEVEN YEAR WARRANTY ON STAINLESS STEEL TUB After one year and until seven years from the date of purchase, Avanti Products will furnish a replacement plastic tub, for one which is defective in material or workmanship. All labor and transportation charges are the responsibility of the consumer.</p>	
<p>WARRANTY EXCLUSIONS / WHAT IS NOT COVERED: The warranty coverage described herein excludes all defects or damage that are not the direct fault of Avanti Products, including without limitation, one or more of the following:</p>	
<p>A failure to comply with any applicable state, local, city, or county electrical, plumbing and/or building codes, regulations, or laws, including failure to install the product in strict conformity with local fire and building codes and regulations.</p> <p>Any external, elemental and/or environmental forces and factors, including without limitation, rain, wind, sand, floods, fires, mud slides, freezing temperatures, excessive moisture or extended exposure to humidity, lightning, power surges, structural failures surrounding the appliance, and acts of God.</p>	
<p>Incidental or consequential damages</p> <p>Parts and labor costs for the following will not be considered as warranty:</p> <ul style="list-style-type: none"> Door springs, and/or frames. Inner door panels, door shelves, door rails, and/or door supports. 	<p>Shipping and handling costs associated with the replacement of the unit.</p> <p>Repairs performed by unauthorized servicers.</p> <p>Service calls that are related to external problems, such as abuse, misuse, inadequate electrical power, accidents, fire, floods, or any other acts of God.</p> <p>Failure of the product if it is used for other than its intended purpose.</p> <p>The warranty does not apply outside the Continental USA.</p> <p>Surcharges including but not limited to, any after hour, weekend, or holiday service calls, tolls, ferry trip charges, or mileage expense for service calls to remote areas.</p>
<p>In no event shall Avanti Products have any liability or responsibility whatsoever for damage to surrounding property, including cabinetry, floors, ceilings, and other structures and/or objects around the product. Also excluded from this warranty are scratches, nicks, minor dents, and other cosmetic damages on external surfaces and exposed parts; Products on which the serial numbers have been altered, defaced or removed; service visits for customer education, or visits where there is nothing wrong with the product; correction of installation problems (you are solely responsible for any structure and setting for the product, including all electrical, plumbing and/or other connecting facilities, for proper foundation/flooring, and for any alterations including without limitation cabinetry, walls, floors, shelving etc., as well as the resetting of breakers or fuses.</p>	
<p>OUT OF WARRANTY PRODUCT Avanti Products is under no obligation, at law or otherwise, to provide you with any concessions, including repairs, pro-rates, or product replacement, once this warranty has expired.</p>	
<p align="right"><small>Warranty – Washing Machines</small></p>	

AYUDANOS A AYUDARTE...

Lea esta guía con atención.

Su objetivo es ayudarlo a operar y mantener correctamente su nuevo LAVAPLATOS.

Téngalo a mano para responder a sus preguntas.

Si no comprende algo o necesita más ayuda, llame al:

**Servicio al cliente de
Avanti 1-800-220-5570**

Conserve el comprobante de la fecha de compra original (como su comprobante de venta) con esta guía para establecer el período de garantía.

Anote el modelo y los números de serie.

Los encontrará en una placa ubicada en la parte trasera.

del LAVAPLATOS.

Escriba estos números aquí:

Fecha de compra

Número de modelo

Número de serie

Utilice estos números en cualquier correspondencia o llamadas de servicio relacionadas con su LAVAPLATOS.

Si recibió un LAVAPLATOS dañado, comuníquese inmediatamente con el distribuidor (o constructor) que le vendió el LAVAPLATOS.

Ahorre tiempo y dinero. Antes de llamar al servicio técnico, consulte la Guía de solución de problemas. Enumera las causas de los problemas operativos menores que puede corregir usted mismo.

SI NECESITA SERVICIO

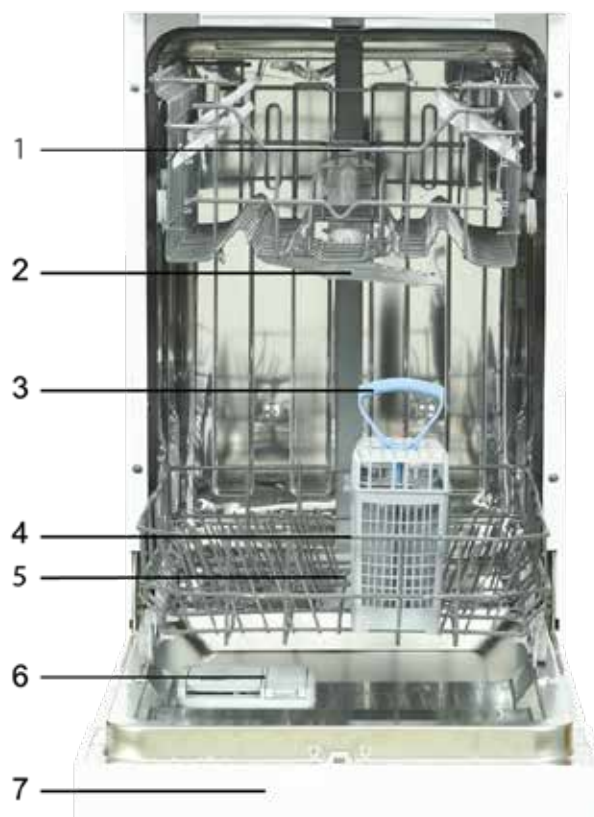
Estamos orgullosos de nuestro servicio y queremos que esté satisfecho. Si por alguna razón no está satisfecho con el servicio que recibe, aquí hay algunos pasos a seguir para obtener más ayuda.

PRIMERO, comuníquese con las personas que le dieron servicio a su LAVAPLATOS. Explique por qué no está satisfecho. En la mayoría de los casos, esto resolverá el problema.

A CONTINUACIÓN, si aún no está satisfecho, escriba todos los detalles, incluido su número de teléfono, y envíelo a:

**Servicio al cliente
Avanti Products
P.O. Box 520604 -
Miami, FL 33152**

PARTES Y CARACTERISTICAS



1	Rejilla superior
2	Brazo rociador superior
3	Cesta para cubiertos / cubiertos
4	Rejilla inferior
5	Conjunto de filtro / brazo rociador
6	Dispensador de detergente Dispensador de abrillantador
7	Panel de control

Antes de usar su LAVAPLATOS

- Retire el embalaje exterior e interior.
- Asegúrese de tener todas las siguientes piezas: 2
 rejillas de lavado (1 superior / 1 inferior)
 1 canasta de cubiertos
 1 manual de instrucciones
 1 manual de instalación
- Limpiar la superficie interior con agua tibia con un paño suave.

Instrucciones de seguridad importantes

~ ADVERTENCIA ~	Para reducir el riesgo de incendio, descarga eléctrica o lesiones al usar su lavaplatos, siga estas precauciones básicas:
<ul style="list-style-type: none">• Lea todas las instrucciones antes de usar el lavaplatos.• PELIGRO o ADVERTENCIA: Riesgo de atrapamiento de niños.• El atrapamiento y asfixia de niños no son problemas del pasado. Desechado o abandonados los lavaplatos siguen siendo peligrosos. . . incluso si "simplemente se sentarán en el garaje unos días".• Antes de desechar su antiguo electrodoméstico: Quitale las puertas. Deja los estantes en su lugar de manera que los niños no puedan entrar fácilmente.<ul style="list-style-type: none">• Nunca permita que los niños operen, jueguen o se arrastren dentro del lavaplatos.• Nunca limpie las piezas del lavaplatos con líquidos inflamables.• No almacene ni utilice gasolina ni ningún otro vapor o líquido inflamable cerca de este o cualquier otro lavaplatos.• Enchufe el lavaplatos en un exclusivo tomacorriente de pared con conexión a tierra debidamente instalado. No haga bajo cualquier circunstancia corte o quite la tercera clavija (tierra) del cable de alimentación. Cualquier pregunta relacionada con la alimentación o la conexión a tierra debe dirigirse a un electricista certificado o un centro de servicio autorizado de Avanti Products. <p style="text-align: center;">-Guarda estas instrucciones-</p>	

CONEXIÓN ELÉCTRICA

~ Advertencia ~

El uso inadecuado del enchufe con conexión a tierra puede resultar en riesgo de descarga eléctrica. Si el cable de alimentación está dañado, haga que lo reemplace un centro de servicio autorizado de Avanti Products.

Consulte con un electricista calificado o un representante de servicio si tiene dudas sobre si el electrodoméstico está correctamente conectado a tierra. No modifique el enchufe provisto con el electrodoméstico; si no encaja en el tomacorriente, haga que un electricista calificado instale un tomacorriente adecuado.

- Este aparato debe estar conectado a tierra. En caso de un mal funcionamiento o avería, la conexión a tierra reducirá el riesgo de choque eléctrico al proporcionar una ruta de menor resistencia para la corriente eléctrica. Este aparato está equipado con un cable que tiene un conductor de conexión a tierra del equipo y un enchufe de conexión a tierra. El enchufe debe conectarse a un tomacorriente adecuado que esté instalado y conectado a tierra de acuerdo con todos los códigos y ordenanzas locales.
- No corte ni retire bajo ninguna circunstancia la tercera clavija de tierra del cable de alimentación suministrado.
- Nunca use un cable de extensión para conectar la energía a la unidad. Nunca use un adaptador de tierra de dos clavijas.
- Cuando se encuentre un receptáculo de pared de dos clavijas, comuníquese con un electricista calificado para que lo reemplace por un receptáculo de 3 clavijas de acuerdo con los códigos eléctricos aplicables.

Este lavaplatos requiere un tomacorriente estándar de 110/120 voltios CA ~ / 60 hz con tres clavijas.

El cable debe estar asegurado detrás del lavaplatos y no debe dejarse expuesto o colgando para evitar lesiones accidentales.

Conecte a un sistema de cableado permanente de metal con conexión a tierra: o ejecute un terminal de conexión a tierra del equipo o metal del aparato.

La conexión incorrecta del conductor de puesta a tierra del equipo puede resultar en un riesgo de descarga eléctrica. Consulte con un electricista calificado o un representante de servicio si tiene dudas sobre si el electrodoméstico está correctamente conectado a tierra.

No intente reparar o reemplazar ninguna pieza de su lavaplatos a menos que sea específicamente recomendado en este manual. Todos los demás servicios deben ser remitidos a un técnico calificado.
- Para minimizar la posibilidad de descarga eléctrica, desconecte este aparato de la fuente de alimentación antes de intentar cualquier mantenimiento.
- Nota: Apagar el lavaplatos no desconecta el aparato de la fuente de alimentación. Recomendamos que un técnico calificado repare su aparato.

Seguridad del calentador de agua

En determinadas condiciones, se puede producir hidrógeno en un calentador de agua que no se ha utilizado durante dos semanas o más. El gas hidrógeno es explosivo.

Si el agua caliente no se ha usado durante dos semanas o más, evite la posibilidad de daños o lesiones abriendo todos los grifos de agua caliente y déjelos correr durante varios minutos. Haga esto antes de usar cualquier aparato eléctrico que esté conectado al sistema de agua caliente. Este sencillo procedimiento permitirá que escape cualquier gas hidrógeno acumulado. Dado que el gas es inflamable, no fume ni use una llama abierta o un aparato durante este proceso.

Utilice este aparato solo para el propósito para el que fue diseñado, como se describe en este Manual del propietario.

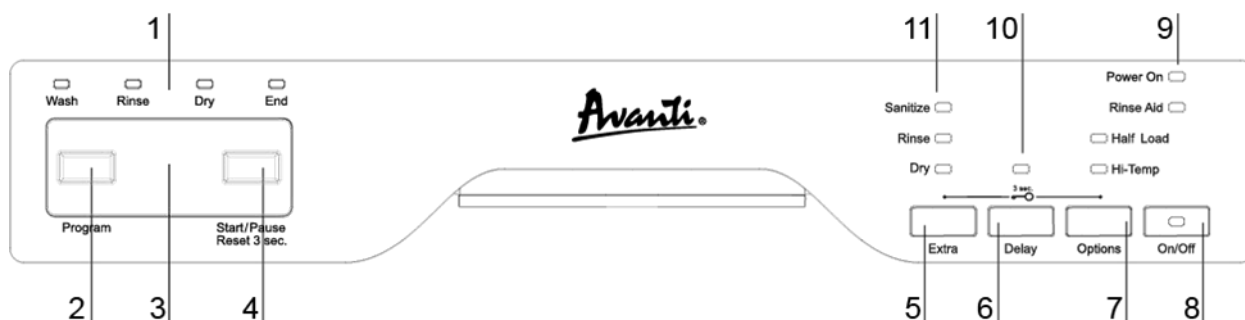
ADVERTENCIA **LEA PARA UN USO CORRECTO**

- No abuse, no se siente ni se pare sobre la puerta o la rejilla para platos del lavaplatos. No toque el elemento calefactor durante o inmediatamente después de su uso.
- No lave artículos de plástico a menos que estén marcados como aptos para lavaplatos o su equivalente. Para artículos de plástico que no estén marcados de esta manera, consulte las recomendaciones del fabricante.
- Use solo detergente y aditivos de enjuague diseñados para un lavaplatos automático. Usando detergente que no está diseñado específicamente para lavaplatos hará que el lavaplatos se llene de espuma.
- Mantenga a los niños alejados del detergente y abrillantador, mantenga a los niños alejados de la puerta abierta del lavaplatos, todavía puede quedar algo de detergente en el interior.
- La puerta no debe dejarse en la posición abierta ya que esto podría representar un peligro de tropiezo. Durante la instalación, la fuente de alimentación no debe doblarse ni aplanarse excesivamente.
- Para reducir el riesgo de lesiones, no permita que los niños jueguen dentro o sobre el lavaplatos.
- No haga funcionar su lavaplatos a menos que todos los paneles del recinto estén correctamente colocados. Abra la puerta con mucho cuidado si el lavaplatos está en funcionamiento, existe el riesgo de que salga agua.
- No coloque ningún objeto pesado ni se pare sobre la puerta cuando esté abierta. El aparato podría volcar adelante.
- Al cargar artículos para lavar:
 - 3) Ubique los elementos afilados para que no dañen el sello de la puerta;
 - 4) Cargue los cuchillos afilados con los mangos hacia arriba para reducir el riesgo de lesiones por cortes.
- Cuando use su lavaplatos, debe evitar que los artículos de plástico entren en contacto con la calefacción. elemento.
- Si el cable de alimentación está dañado, debe ser reemplazado por el fabricante o su agente de servicio o persona igualmente calificada para evitar un peligro.
- Deseche los materiales de embalaje correctamente.
- Utilice el lavaplatos solo para su función prevista.
- Retire la puerta cuando retire de servicio un lavaplatos viejo o lo deseche. No altere los controles.
- No toque el elemento calefactor durante o inmediatamente después de su uso.

Antes de usar su lavaplatos

- Retire el embalaje exterior e interior.
- Asegúrese de tener todas las siguientes piezas: 2
 - rejillas de lavado (1 superior / 1 inferior)
 - 4 repisas para tazas
 - 1 canasta de cubiertos
 - 1 manual de instrucciones
 - 1 manual de instalación
- Limpiar la superficie interior con agua tibia con un paño suave.

PANEL DE CONTROL



<p>1 Luces indicadoras del ciclo de lavado</p> <p>2 Botón selector de programas</p> <p>3 Ventana de visualización</p> <p>4 Botón selector de inicio / pausa</p> <p>5 Botón selector de ciclo adicional</p>	<p>6 Botón selector de inicio diferido</p> <p>7 Botón selector de ciclo de opciones</p> <p>8 Botón de encendido / apagado</p> <p>9 Luz indicadora de encendido</p> <p>10 Luz indicadora de inicio diferido</p> <p>11 Luz indicadora de ciclo adicional</p>
---	--

Requiere oprimir el botón de ON/OFF para encender o apagar la unidad.

Programa de lavado preprogramado

Programa	Información de Selección de ciclo	Tiempo Ciclo (Mins)	Opción Media Cargo	Opción Secado Extra	Opción Enjuague	Opción Desinfectar	Opción Temp Alta
<i>Regular</i>	Programa estándar para uso diario, regular o típico para lavar completamente una carga de platos con suciedad normal.	145					
<i>Auto</i>	Este programa ajusta automáticamente la temperatura y la cantidad de agua, el consumo de energía y la duración del programa.	155					
<i>Intensive</i>	Adecuado para platos muy sucios.	130					
<i>Delicate</i>	Adecuado para platos menos sucios	90				X	X
<i>Super</i>	Adecuado para platos diarios con suciedad normal y ciclos más rápidos.	50					
<i>Rinse</i>	Adecuado para enjuagar platos que planeas lavar más tarde.	15		X	X	X	X

Temperatura de agua

Se necesita agua caliente para obtener los mejores resultados de lavado y secado. El agua que ingresa al lavavajillas debe estar al menos a 49 ° C (120 ° F) para obtener resultados satisfactorios.

Para verificar la temperatura del agua que ingresa al lavavajillas:

- Abra el grifo de agua caliente más cercano al lavaplatos durante varios minutos para limpiar el agua fría de las tuberías.
- Sujete un termómetro para dulces o carnes en un chorro de agua para verificar la temperatura.
- Si la temperatura está por debajo de 120 ° F (49 ° C), pídale a una persona calificada que suba el ajuste del termostato del calentador de agua.

Uso de su aparato:

SELECCIÓN DE UN PROGRAMA DE LAVADO:

- 1) Oprime el botón "ON / OFF" para encender su máquina.
- 2) Consulte la tabla Ciclos de lavado preprogramados en la página anterior para seleccionar un programa de lavado adecuado a sus necesidades.
- 3) Presione el botón "SELECCIÓN DE PROGRAMA" hasta que el número del programa que seleccionó aparezca en la pantalla.
- 4) Presione el botón "INICIO / PAUSA" para activar el programa de lavado.
- 5) Si debe agregar un artículo durante el ciclo de lavado, presione el botón Inicio / Pausa, abra la puerta, agregue su artículo, cierre la puerta de su aparato y presione el botón Inicio / Pausa para continuar con el programa de lavado activado.
- 6) No se recomienda abrir la puerta de su máquina mientras se está ejecutando el programa de lavado activado. Aun así, si la puerta se abre y no se cierra en aproximadamente 4 segundos, la unidad no continuará el programa de lavado. En este caso, debe cerrar la puerta y presionar nuevamente el botón "INICIO / PAUSA" para continuar con el programa de lavado.

CANCELACIÓN DE UN PROGRAMA DE LAVADO:

- 1) Oprime el botón "INICIO / PAUSA" durante aproximadamente 3 segundos.
- 2) La pantalla mostrará "1" para confirmar la cancelación del programa de lavado.

Nota: Si la puerta se abre durante el proceso de cancelación, la puerta debe cerrarse en 4 segundos para continuar con el proceso de cancelación.

Si la puerta no se cierra durante los 4 segundos, cierre la puerta y simplemente presione el botón "INICIO / PAUSA" nuevamente para continuar con el proceso de cancelación del programa de lavado.

SELECCIÓN DE UNA OPCIÓN DE LAVADO OPCIONAL:

- 1) Seleccione el programa de lavado preprogramado deseado como se indica arriba.
- 2) Antes de presionar el BOTÓN "INICIO / PAUSA", presione el botón "OPCIONES".
- 3) Continúe presionando hasta que se encienda la luz indicadora de la opción (Media carga o Alta temperatura) que desea.
- 4) Presione el botón Extra para elegir entre las opciones Sanitize / Extra Rinse / Extra Dry.
- 5) Cierre la puerta de su aparato y presione el botón "INICIO / PAUSA" para activar el programa de lavado.

Opciones de lavado:

MEDIA CARGA:

Esta opción le permite ahorrar energía y lavar una carga más pequeña. Esta opción debe usarse cuando se lava menos de una carga completa o en el caso de que no desee cargar la lavadora y hacer funcionar más tarde cuando esté completamente cargada.

DESINFECTAR:

Cuando se selecciona la opción Desinfectar, la temperatura del agua se mantendrá en 156°F / 69°C (máximo). Es posible que no se alcance la temperatura máxima si la temperatura del agua de entrada no es la adecuada. Los lavaplatos residenciales no están diseñados para establecimientos de alimentos con licencia o aplicaciones comerciales.

HI-TEMP:

Cuando se selecciona la opción HI-Temp, la temperatura del agua se mantendrá en 140°F / 60°C (máximo). Es posible que no se alcance la temperatura máxima si la temperatura del agua de entrada no es la adecuada. Los lavaplatos residenciales no están diseñados para establecimientos de alimentos con licencia o aplicaciones comerciales.

EXTRA DRY:

Cuando se selecciona la opción EXTRA DRY, la máquina cambia la temperatura del agua para cada programa y se realiza el extra dry.

EXTRA RINSE:

Cuando se selecciona la opción EXTRA RINSE, la máquina agregará ciclos adicionales de lavado y enjuague para asegurar que sus platos estén limpios y brillantes.

DELAY:

Para retrasar el inicio de un ciclo seleccionado, presione el botón Delay Start hasta que el tiempo de retraso deseado aparezca en la pantalla LED. Puede retrasar la hora de inicio de 1 a 19 horas. Para cancelar la opción de inicio diferido antes de que finalice el período de retardo establecido, simplemente presione y mantenga presionado el botón DELAY durante aproximadamente 3 segundos.

- 1) Seleccione el programa de lavado preprogramado deseado como se indica arriba.
- 2) Antes de presionar el BOTÓN "INICIO / PAUSA", presione el botón "DELAY".
- 3) Configure el tiempo de "demora" presionando el botón del temporizador "DELAY". El tiempo aumentará en incrementos de 1 hora con cada pulsación del botón.
- 4) Una vez que se presione el botón "DELAY", la pantalla mostrará alternativamente 1H y también mostrará el número de programa seleccionado dentro de los 2 segundos del tiempo de retraso.
- 5) Cierre la puerta de su aparato y presione el botón "INICIO / PAUSA".

Nota: Si abre y cierra la puerta de la máquina durante el modo de temporizador de retardo, o ha habido una pérdida de energía eléctrica, la máquina continuará en el modo de temporizador de retardo hasta que se acabe el temporizador y comenzará el programa de lavado según lo seleccionado. .

CANCELACIÓN DE UN TIEMPO DE RETRASO CONFIGURADO:

Para cancelar la función de temporizador de retardo una vez configurada.

- 1) Mantenga presionado el botón "DELAY" durante aproximadamente 3 segundos.
- 2) Después de 3 segundos, la pantalla mostrará "0h" confirmando la cancelación del programa de temporizador de retardo.
- 3) Ahora puede seleccionar un nuevo programa de lavado como se indicó anteriormente.

Nota: No puede establecer un modo de tiempo de retraso una vez que ha comenzado un programa de lavado.

FIN DE CICLO

Al final del ciclo de lavado, se mostrará "0" en la pantalla.

Abra la puerta de la máquina, presione y mantenga presionado el botón "INICIO / PAUSA" durante aproximadamente 3 segundos para apagar la unidad.

PROTECCIONES CONTRA EL DESBORDAMIENTO

Nuestro lavaplatos Avanti tiene un dispositivo de protección contra sobrellenado que podría cerrar automáticamente la válvula de entrada y encender la bomba de drenaje si el agua se desborda. En caso de desbordamiento, la pantalla del sistema destellará "F1" e intentará drenar el agua. Si el desbordamiento se detiene y el sistema drena el agua, el "F1" desaparecerá.

Si el sistema no puede detener la condición de desbordamiento, cierre el suministro de agua principal antes de

llamar a un técnico. Si hay agua en la bandeja de la base debido a un llenado excesivo o una pequeña fuga, se debe quitar el agua antes de reiniciar el lavaplatos.

CORTE DE AGUA - ADVERTENCIA

Si durante un ciclo de lavado se corta o apaga la tubería principal de agua y la máquina no puede tomar agua, la pantalla destellará "FF". Mientras persista la condición o falta de agua, la pantalla seguirá parpadeando "FF", una vez que el agua regrese a la unidad, volverá al modo de funcionamiento normal.

CORTE DE ENERGÍA ELÉCTRICA - ADVERTENCIA

Si durante un ciclo de lavado la electricidad se pierde o se apaga o la puerta de la máquina se ha abierto, la máquina no puede funcionar normalmente, la máquina volverá al modo de trabajo normal después de 8 segundos una vez que la energía haya regresado y si la temperatura interna de la unidad está por encima de 113°F.

DISPENSADOR DE DETERGENTE

El dispensador debe rellenarse antes del inicio de cada ciclo de lavado siguiendo las instrucciones proporcionadas en la "Tabla de ciclos de lavado". Su lavaplatos utiliza menos detergente y abrillantador que los lavaplatos convencionales. Generalmente, solo se necesita una cucharadita de detergente para una carga de lavado normal, los artículos muy sucios pueden necesitar más detergente. Siempre agregue el detergente justo antes de encender el lavaplatos, de lo contrario podría humedecerse y no disolverse adecuadamente.

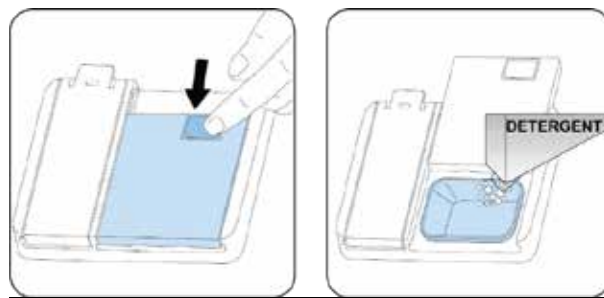
Cantidad de detergente a utilizar

SI EL AGUA DE SU ZONA NO ES MUY DURA, TAMBIÉN PUEDE PREVENIR LA FORMACIÓN DE DEPÓSITOS POR DETERGENTE

La cantidad de detergente necesaria puede variar debido a las diferencias en la dureza del agua de su área. Para determinar la dureza del agua en su área, comuníquese con su compañía de agua local o con la compañía de ablandamiento de agua del área. Cuanto más dura sea el agua, más detergente necesitará. Recuerde, debe ajustar la cantidad de detergente que usa en pequeñas cantidades hasta encontrar la cantidad correcta.

Uso adecuado de detergente

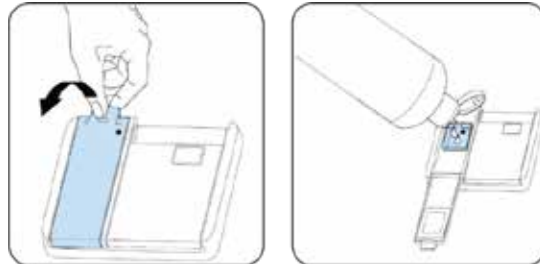
Utilice únicamente detergente fabricado específicamente para lavaplatos. Mantenga su detergente fresco y seco. No ponga detergente en polvo en el dispensador hasta que esté listo para lavar los platos.



Dispensador de abrillantador

- Su lavaplatos está diseñado para usar abrillantadores líquidos. El dispensador de abrillantador se encuentra en la puerta junto al dispensador de detergente. Llene el dosificador de abrillantador hasta el nivel máximo (aproximadamente 150 ml de abrillantador líquido). Asegúrese de no llenar demasiado el dispensador, ya que esto provocará una formación de espuma excesiva. Limpie cualquier derrame con un paño húmedo. Tenga en cuenta que si tiene agua blanda, es posible que no necesite usar un abrillantador, ya que puede hacer que se desarrolle una película blanca en sus platos.
- Para abrir el dispensador, levante la tapa del depósito de abrillantador como se muestra a continuación.
- Vierta el abrillantador en el dosificador, teniendo cuidado de no llenarlo en exceso.

- Vuelva a colocar la tapa después del llenado.
- El abrillantador se libera durante el enjuague final para evitar que el agua forme gotas en sus platos que puedan dejar manchas y rayas. También mejora el secado al permitir que el agua se separe de los platos.



Ajuste del dispensador de abrillantador

Se libera una cantidad medida de abrillantador durante el enjuague final. Al igual que con el detergente, la cantidad de abrillantador necesaria para sus platos depende de la dureza del agua en su área. Demasiado abrillantador puede generar espuma y causar turbidez o rayas en los platos. Si el agua de su zona es muy blanda, es posible que no necesite abrillantador. Si lo hace, puede diluir el abrillantador con la misma cantidad de agua.

Cuándo rellenar el dosificador de abrillantador

Vuelva a llenar el depósito de abrillantador cuando la luz indicadora del abrillantador en el panel de control esté encendida.

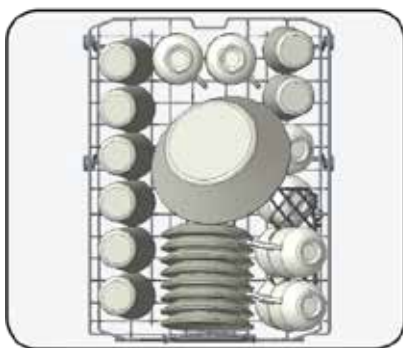
Como cargar su lavavajillas

Para obtener los mejores resultados, siga estas pautas de carga.

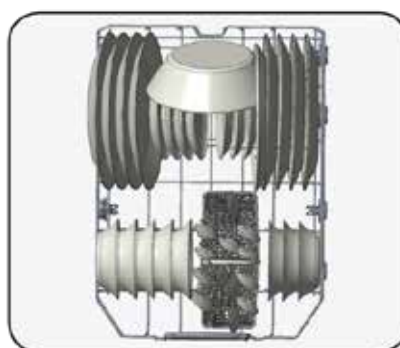
Recomendaciones: Elimine cualquier residuo grueso de la vajilla antes de colocar la vajilla en la máquina. Arranque la máquina con carga completa.

No sobrecargue los cajones ni coloque platos en la canasta incorrecta.

ADVERTENCIA: Coloque siempre los utensilios afilados con la punta afilada hacia abajo y los utensilios abiertos con las aberturas hacia abajo.



Rejilla Superior



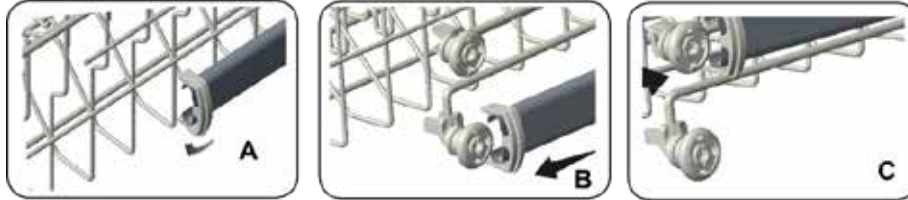
Rejilla Inferior



Canasta para cubiertos

La rejilla superior está diseñada para contener vajilla más delicada y ligera, como vasos, tazas y platillos de café y te, así como platos, tazones pequeños y cacerolas poco profundas (siempre que no estén demasiado sucias). Coloque los platos y los utensilios de cocina de modo que el agua no los mueva.

La rejilla superior se puede ajustar en altura colocando ruedas a diferentes alturas en los rieles.



Precaución: asegúrese de que la rejilla esté vacía. Cambiar el ajuste de altura mientras la rejilla contiene vajillas podría hacer que el contenido se salga, provocando lesiones personales o daños a la vajilla.

- 1) Libere los pestillos de los rieles derecho e izquierdo del cesto superior girándolos hacia el exterior (ilustración A).
- 2) Extraiga la rejilla por completo. (ilustración B).
- 3) Vuelva a colocar la rejilla en el riel a la altura deseada (ilustración C).
- 4) Vuelva a colocar los pestillos en la posición correcta.

Cómo utilizar la rejilla inferior

Nosotros Le recomendamos que coloque los artículos grandes que son más difíciles de limpiar en la rejilla inferior: ollas, sartenes, tapas, platos para servir y tazones, como se muestra en la figura siguiente.

Es preferible colocar los platos de servir y las tapas a los lados de las rejillas para evitar bloquear la rotación del brazo rociador superior.

Las ollas, platos para servir, etc. deben colocarse siempre de arriba hacia abajo. Las macetas profundas deben estar inclinadas para permitir que el agua fluya.

La rejilla inferior tiene filas de púas plegables para poder cargar ollas y sartenes más grandes.

Cesta de cubiertos

Los cubiertos deben colocarse en la canasta de cubiertos con asas en la parte inferior: si la rejilla tiene cestas laterales, la cuchara debe cargarse individualmente en las ranuras apropiadas, especialmente los utensilios largos deben colocarse en posición horizontal en la parte delantera de la rejilla superior.

Cuidados y mantenimiento

Para limpiar el panel de control, utilice un paño ligeramente humedecido y luego séquelo bien. Para limpiar el exterior utilice una buena cera para pulir electrodomésticos.

Nunca use objetos afilados, estropajos o limpiadores fuertes en ninguna parte del lavaplatos.

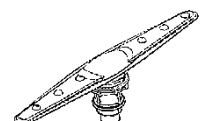
Proteger contra la congelación

Si su lavaplatos se va a dejar en un lugar sin calefacción durante el invierno, pídale a un técnico de servicio que:

1. Corta la energía eléctrica al lavaplatos. Retire los fusibles o el disyuntor de punta.
2. Cierre el suministro de agua y desconecte la tubería de entrada de agua de la válvula de agua.
3. Drene el agua de la tubería de entrada y la válvula de agua. (Use una olla para recoger el agua).
4. Vuelva a conectar la tubería de entrada de agua a la válvula de agua.
5. Retire la cubierta de plástico del sumidero en la bañera en la parte inferior y use una esponja para absorber el agua en la bota de goma.

Limpieza de los brazos rociadores

Es necesario limpiar los brazos rociadores con regularidad o los productos químicos de agua dura obstruirán los chorros y cojinetes del brazo rociador. Para quitar el brazo rociador, remueve la tuerca para sacar la arandela en la parte superior del brazo rociador y retire el brazo. Lave los brazos con agua tibia y jabón y use un cepillo suave para limpiar los chorros. Reemplácelos después de enjuagarlos bien.



Sistema de filtrado

Para su comodidad, hemos colocado la bomba de drenaje y el sistema de filtrado al alcance de la mano dentro de la bañera. Hay tres componentes del sistema de filtrado: el filtro principal, el filtro grueso y el filtro fino.

1. Filtro principal

Las partículas de comida y tierra atrapadas por este filtro se pulverizan mediante un chorro especial en el brazo rociador inferior y se lavan por el desagüe.

2. Filtro grueso

Los elementos más grandes, como trozos de hueso o vidrio, que podrían obstruir el drenaje quedan atrapados en el filtro grueso. Para quitar un elemento atrapado en este filtro, apriete suavemente las lengüetas en la parte superior de este filtro y levántelo.

3. Filtro fino

Este filtro retiene suciedad y residuos de alimentos en el área del sumidero y evita que se vuelvan a depositar en los platos durante un ciclo.

Gire el filtro grueso en sentido antihorario.

1. Levante el filtro grueso (b) junto con el filtro fino (a)
2. Separe el filtro fino levantándolo del curso Filtro (b).
3. Extraiga el filtro principal (c).

Para reemplazar el conjunto del filtro, siga los mismos pasos a la inversa.

Para obtener el mejor rendimiento y resultados, se debe limpiar el conjunto del filtro.

El lavavajillas nunca debe utilizarse sin los filtros. La sustitución incorrecta del filtro puede reducir el nivel de rendimiento del aparato y dañar platos y utensilios.

Limpieza del conjunto del filtro

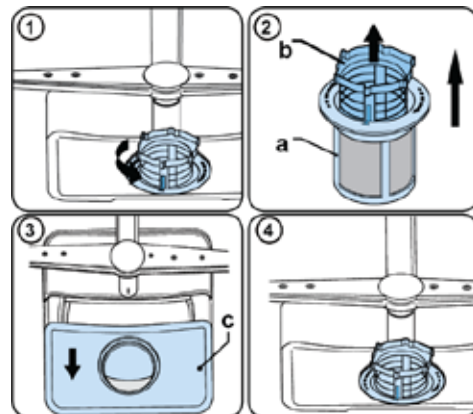
Gire el filtro grueso en sentido antihorario.

1. Levante el filtro grueso (b) con el filtro fino (a).
2. Separe el filtro fino levantándolo del filtro grueso (b).
3. Retire el filtro principal (c).
4. Levante todos el filtros.

Para reemplazar el conjunto del filtro, siga los mismos pasos a la inversa.

Para obtener el mejor rendimiento y resultados, se debe limpiar el conjunto del filtro.

El lavaplatos nunca debe usarse sin los filtros. El reemplazo inadecuado del filtro puede reducir el nivel de rendimiento del aparato y dañar platos y utensilios.

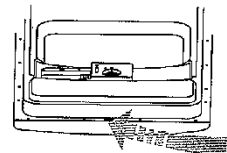


ADVERTENCIA: nunca haga funcionar el lavaplatos sin los filtros en su lugar.

Limpiar la puerta

Para limpiar el borde alrededor de la puerta, debe usar solo un trapo suave, tibio y húmedo. Para evitar la penetración de agua en la cerradura de la puerta y los componentes eléctricos, no utilice ningún tipo de limpiador en aerosol.

Además, nunca use limpiadores abrasivos o estropajos en las superficies exteriores porque rayarán el acabado. Algunas toallas de papel también pueden rayar o dejar marcas en la superficie.



ADVERTENCIA: nunca use un limpiador en aerosol para limpiar el panel de la puerta, ya que podría dañar la cerradura de la puerta y los componentes eléctricos. No está permitido usar el agente abrasivo o alguna toalla de papel debido al riesgo de rayar o dejar manchas en la superficie de acero inoxidable.

Cómo mantener tu lavaplatos en forma

Después de cada lavado

Después de cada lavado, cierre el suministro de agua al aparato y deje la puerta entreabierta para que la humedad y los olores no queden atrapados en el interior.

Sin disolventes ni productos de limpieza abrasivos

Para limpiar el exterior y las partes de goma del lavaplatos, no utilice solventes ni productos de limpieza abrasivos. Por el contrario, use solo un paño y agua tibia con jabón. Para quitar manchas de la superficie del interior, utilice un paño humedecido con agua y un poco de vinagre blanco, o un producto de limpieza elaborado específicamente para lavaplatos.

Cuando te vas de vacaciones

Cuando se vaya de vacaciones, se recomienda que ejecute un ciclo de lavado con el lavaplatos vacío y luego retire el enchufe de la toma de CA, cierre el suministro de agua y deje la puerta del aparato entreabierta. Esto ayudará a que los sellos duren más y evitará que se formen olores dentro del aparato.

Sellos

Uno de los factores que hace que se formen olores en el lavaplatos es la comida que queda atrapada en los sellos. La limpieza periódica con una esponja húmeda evitará que esto ocurra.

PROBLEMAS CON SU LAVAVAJILLAS?

Puede resolver fácilmente muchos problemas comunes del lavaplatos, ahorrándole el costo de una posible llamada de servicio. Pruebe las sugerencias a continuación para ver si puede resolver el problema antes de llamar al técnico.

GUÍA PARA RESOLVER PROBLEMAS

PROBLEMA	CAUSA POSIBLE	QUÉ HACER
El lavaplatos no funciona.	El disyuntor se disparó o se fundió el fusible. La fuente de alimentación no está encendida en. La presión del agua es baja.	Reemplace el fusible o reinicie el disyuntor. Retire cualquier otro aparato que comparta el mismo circuito con el lavaplatos. Asegúrese de que el lavaplatos esté encendido y que la puerta esté bien cerrada. Asegúrese de que el cable de alimentación esté conectado correctamente. Compruebe que el suministro de agua esté conectado correctamente y que el agua esté abierta.
La bomba de drenaje no se detiene	Desbordamiento	El sistema está diseñado para detectar un desbordamiento. Cuando no lo hace, apaga la bomba de circulación y enciende la bomba de drenaje. Ver más de flujo
ruido	Algunos sonidos audibles son normales. Los utensilios no están asegurados en las canastas o se ha caído algo pequeño en la canasta. El motor zumba.	Sonido de la acción de triturar alimentos blandos y la apertura de la taza de detergente. Asegúrese de que todo esté asegurado en el lavaplatos. El lavaplatos no se ha utilizado con regularidad. Si no lo usa con frecuencia, recuerde configurarlo para que se llene y bombee cada semana, lo que ayudará a mantener el sello húmedo.
Espuma en la bañera	Detergente inadecuado. Agente de enjuague derramado.	Utilice únicamente el detergente especial para lavaplatos para evitar la formación de espuma. Si esto ocurre, abra el lavaplatos y deje que la espuma se evapore. Agregue 1 galón de agua fría a la tina. Cierre y trabaje el lavaplatos, luego drene el agua girando lentamente el dial hasta que se alcance un período de drenaje. Repita si es necesario. Siempre limpie los derrames de agente de enjuague inmediatamente.
Interior de la bañera manchado	El detergente con colorante fue Usado.	Asegúrate de que el detergente sea el que no tenga colorante.
Los platos no se secan	El dispensador de agente de enjuague está vacío.	Asegúrese de que el dispensador de agente de enjuague esté lleno.
Platos y cubiertos no limpios.	Programa inadecuado. Carga inadecuada de la rejilla.	Seleccione un programa más fuerte. Asegúrese de que la acción del dispensador de detergente y los brazos rociadores no estén bloqueados por vajilla grande.
Nubosidad en la cristalería.	Combinación de agua blanda y demasiado detergente.	Use menos detergente si tiene agua blanda y seleccione un ciclo más corto para lavar la cristalería para que quede limpia.

Película amarilla o marrón en superficies internas.	Manchas de té o café. Los depósitos de hierro en el agua pueden causar una película general.	Usando una solución de ½ taza de lejía y 3 tazas de agua tibia para quitar las manchas a mano. Advertencia Hay que esperar 20 minutos después de un ciclo para que los elementos calefactores se enfríen antes de limpiar el interior; de lo contrario, se producirán quemaduras. Debe llamar a una empresa de ablandadores de agua para obtener un filtro especial.
Película blanca en la superficie interior.	Minerales de agua dura	Para limpiar el interior, use una esponja húmeda con detergente para lavaplatos y use guantes de goma. Nunca use ningún otro limpiador que no sea detergente para lavaplatos por el riesgo de formación de espuma o espuma.
Queda detergente en los vasos dispensadores.	Los platos bloquean las tazas de detergente.	Vuelva a cargar los platos correctamente.
Vapor	Fenómeno normal	Hay algo de vapor que entra por la ventilación por el pestillo de la puerta durante el secado y el drenaje del agua.
Marcas negras o grises en los platos.	Los utensilios de aluminio se han frotado contra los platos	Utilice un limpiador abrasivo suave para eliminar esas marcas.
Agua estancada en el fondo de la tina.	Esto es normal.	Una pequeña cantidad de agua limpia alrededor de la salida en el fondo de la tina en la parte posterior de la tina mantiene lubricado el sello de agua.
El agua no sale de la bañera.	El desagüe está obstruido.	Asegúrese de que el fregadero de la cocina esté drenando bien. Si el lavaplatos se desagua en un triturador, hágalo limpiar.
Fugas en el lavaplatos.	Sobrellene el dispensador o derrame de abrillantador. El lavaplatos no está nivelado.	Tenga cuidado de no llenar demasiado el dosificador de abrillantador. El abrillantador derramado podría provocar un exceso de espuma y desbordar. Limpie cualquier derrame con un paño húmedo. Asegúrese de que el lavaplatos esté nivelado.

ADVERTENCIAS DE CÓDIGOS DE ERROR - DESCRIPCIONES

CÓDIGO DE ERROR	CONDICIÓN	QUÉ HACER
FF	Fallo del sistema de entrada de agua	Asegúrese de que el grifo de entrada de agua esté abierto y el agua fluya Separe la manguera de entrada del grifo y limpie el filtro de la manguera. Póngase en contacto con el servicio técnico si el error continúa.
F5	Fallo del sistema de presión	Contactar Servicio al Cliente.
F3	Entrada continua de agua	Cierre el grifo y comuníquese con el servicio al cliente.
F2	Incapacidad para descargar agua	La manguera de descarga de agua y los filtros pueden estar obstruidos. Cancele el programa, si el error continúa, comuníquese con el servicio.
F8	Error de calentador	Contactar Servicio al Cliente
F1	Desbordamiento	Desenchufe la máquina y cierre el grifo, póngase en contacto con el servicio de atención al cliente.
FE	Tarjeta electrónica defectuosa	Contactar Servicio al Cliente
F7	Calentamiento excesivo	Contactar Servicio al Cliente
F9	Error de posición del divisor	Contactar Servicio al Cliente
F6	Sensor del calentador defectuoso	Contactar Servicio al Cliente
HI	Fallo de alto voltaje	Contactar Servicio al Cliente

SERVICIO PARA SU LAVAVAJILLAS

Nosotros estamos orgullosos de nuestra organización de servicio al cliente y de la red de técnicos de servicio profesionales que brindan servicio a sus lavaplatos Avanti. Con la compra de su lavaplatos Avanti, puede tener la confianza de que si alguna vez necesita información o asistencia adicional, el equipo de atención al cliente de Avanti Products estará a su disposición. Simplemente llámenos sin cargo.

SERVICIOS AL CLIENTE DE AVANTI PRODUCTS

Información del producto 800-323-5029	Cualesquiera que sean sus preguntas sobre nuestros productos, hay ayuda disponible.
Pedidos de piezas 800-220-5570	Puede solicitar piezas y accesorios que se enviarán directamente a su hogar, mediante cheque personal, giro postal, Master Card o Visa.
Servicio de reparación a domicilio 800-220-5570	Un centro de servicio autorizado de Avanti Products proporcionará un servicio de reparación experta, programado a la hora que sea conveniente para usted. Nuestros técnicos capacitados conocen su lavaplatos por dentro y por fuera.

Aidez-nous vous aider...

Lisez attentivement ce guide.

Il est destiné à vous aider à faire fonctionner et à entretenir correctement votre nouveau lave-vaisselle.

Gardez-le à portée de main pour répondre à vos questions.

Si vous ne comprenez pas quelque chose ou si vous avez besoin de plus d'assistance, veuillez appeler:

**Service à la clientèle
Avanti 1-800-220-5570**

Conservez une preuve de la date d'achat originale (comme votre bordereau de vente) avec ce guide pour établir la période de garantie.

Notez le modèle et les numéros de série.

Vous les trouverez sur une plaque située à l'arrière du lave-vaisselle.

Veuillez écrire ces chiffres ici:

Date d'achat

Numéro de modèle

Numéro de série

Utilisez ces numéros dans toute correspondance ou appel de service concernant votre lave-vaisselle.

Si vous avez reçu un lave-vaisselle endommagé, contactez immédiatement le revendeur (ou le constructeur) qui vous l'a vendu.

Économisez du temps et de l'argent. Avant d'appeler le service, consultez le guide de dépannage. Il répertorie les causes de problèmes de fonctionnement mineurs que vous pouvez corriger vous-même.

SI VOUS AVEZ BESOIN DE SERVICE

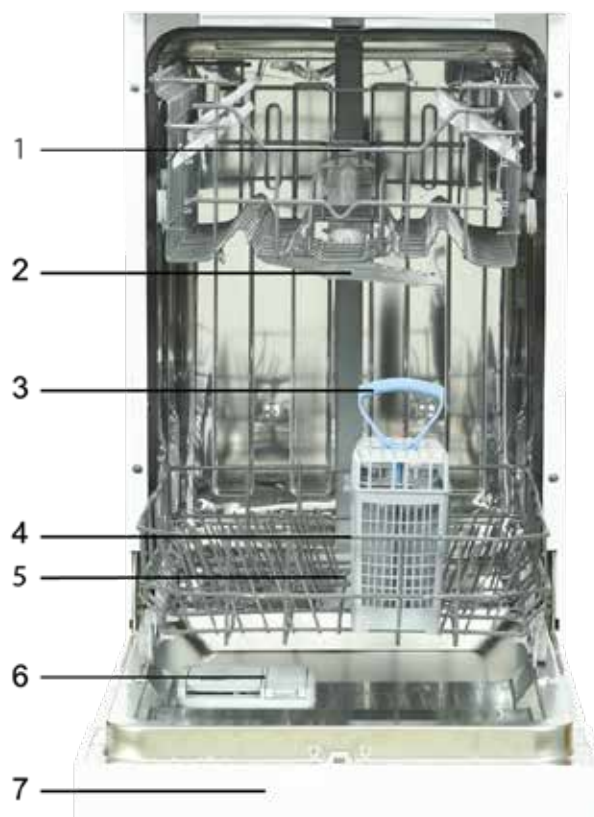
Nous sommes fiers de notre service et voulons que vous soyez heureux. Si, pour une raison quelconque, vous n'êtes pas satisfait du service que vous recevez, voici quelques étapes à suivre pour obtenir de l'aide.

D'ABORD, contactez les personnes qui ont réparé votre lave-vaisselle. Expliquez pourquoi vous n'êtes pas satisfait. Dans la plupart des cas, cela résoudra le problème.

SUIVANT, si vous n'êtes toujours pas satisfait, écrivez tous les détails, y compris votre numéro de téléphone, et envoyez-le à:

**Service clientèle
Avanti Products
P.O. Box 520604
Miami, FL 33152**

PIÈCES ET CARACTÉRISTIQUES



1	Panier supérieur
2	Bras d'aspersion supérieur
3	Panier à couverts / couverts
4	Panier inférieur
5	Ensemble bras d'aspersion / filtre
6	Distributeur de détergent Distributeur de produit de rinçage
7	Panneau de configuration

Avant d'utiliser votre lave-vaisselle

- Retirez l'emballage extérieur et intérieur.
- Vérifiez que vous disposez de toutes les pièces suivantes: 2 racks de lavage (1 supérieur / 1 inférieur)
4 étagères pour tasses
1 panier à couverts
1 manuel d'instructions
1 manuel d'installation
- Nettoyez la surface intérieure à l'eau tiède à l'aide d'un chiffon doux.

Consignes de s curit importantes

~ AVERTISSEMENT	Pour réduire le risque d'incendie, d'électrocution ou de blessure lors de l'utilisation de votre lave-vaisselle,
<ul style="list-style-type: none">• Lisez toutes les instructions avant d'utiliser le lave-vaisselle.• DANGER ou AVERTISSEMENT: Risque de piégeage des enfants.• Le piégeage et la suffocation des enfants ne sont pas des problèmes du passé. Junked ou abandonnées lave-vaisselle sont toujours dangereux. . . même s'ils «resteront dans le garage quelques jours».• Avant de jeter votre ancien appareil: Enlevez les portes. Laissez les étagères dedansplacez-le de manière à ce que les enfants ne puissent pas facilement monter à l'intérieur• Ne laissez jamais les enfants utiliser, jouer avec ou ramper à l'intérieur du lave-vaisselle. • Ne nettoyez jamais les pièces du lave-vaisselle avec des liquides inflammables.• N'entreposez pas et n'utilisez pas d'essence ou d'autres vapeurs et liquides inflammables à proximité de ce lave-vaisselle ou tout autre lave-vaisselle.• Branchez le lave-vaisselle dans une prise murale exclusive correctement installée et mise à la terre. Ne pas en aucun cas, coupez ou retirez la troisième broche (mise à la terre) du cordon d'alimentation. Toute question concernant l'alimentation et / ou la mise à la terre doit être adressée à un électricien certifié ou à un centre de service Avanti Products agréé. <p style="text-align: center;">-Enregistrer ces instructions-</p>	

Connexion électrique

~ AVERTISSEMENT ~
<p>Une mauvaise utilisation de la fiche mise à la terre peut entraîner un risque de choc électrique. Si le cordon d'alimentation est endommagé, faites-le remplacer par un centre de service Avanti Products agréé.</p> <p>Vérifiez auprès d'un électricien qualifié ou d'un représentant de service si vous n'êtes pas sûr que l'appareil soit correctement mis à la terre. Ne modifiez pas la fiche fournie avec l'appareil, si elle ne rentre pas dans la prise, faites installer une prise appropriée par un électricien qualifié.</p>

- Cet appareil doit être mis à la terre. En cas de dysfonctionnement ou de panne, la mise à la terre réduira le risque de choc électrique en fournissant un chemin de moindre résistance au courant électrique. Cet appareil est équipé d'un cordon doté d'un conducteur de mise à la terre et d'une fiche de mise à la terre. La fiche doit être branchée dans une prise appropriée qui est installée et mise à la terre conformément à tous les codes et règlements locaux.
- Ne coupez ou ne retirez en aucun cas la troisième broche de terre du cordon d'alimentation fourni.
- N'utilisez jamais de rallonge pour connecter l'alimentation à
- l'unité. N'utilisez jamais d'adaptateur de mise à la terre à deux
- broches.
Lorsqu'une prise murale à deux broches est rencontrée, contactez un électricien qualifié pour la faire remplacer par une prise à trois broches conformément aux codes électriques applicables.
- Ce lave-vaisselle nécessite une prise électrique standard de 110/120 volts CA ~ / 60 Hz avec trois broches sol.
- Le cordon doit être fixé derrière le lave-vaisselle et ne doit pas être laissé exposé ou suspendu pour éviter blessure accidentelle.
- Connectez-vous à un système de câblage permanent métallique mis à la terre: ou exécutez une borne de mise à la terre de l'équipement ou fil de l'appareil.
- Une mauvaise connexion du conducteur de mise à la terre de l'équipement peut entraîner un risque d'électrocution. Vérifiez auprès d'un électricien qualifié ou d'un représentant de service si vous n'êtes pas sûr que l'appareil soit correctement mis à la terre.
- N'essayez pas de réparer ou de remplacer une pièce de votre lave-vaisselle à moins qu'elle ne soit recommandée dans ce manuel. Tout autre entretien doit être confié à un technicien qualifié.
- Pour minimiser les risques d'électrocution, débranchez cet appareil de l'alimentation électrique avant tentative de maintenance. Remarque: la mise hors tension du lave-vaisselle ne déconnecte pas l'appareil de l'alimentation électrique. Nous vous recommandons de faire réparer votre appareil par un technicien qualifié.

Sécurité du chauffe-eau

Dans certaines conditions, de l'hydrogène peut être produit dans un chauffe-eau qui n'a pas été utilisé pendant deux semaines ou plus. L'hydrogène gazeux est explosif.

Si l'eau chaude n'a pas été utilisée pendant deux semaines ou plus, prévenez la possibilité de dommages ou de blessures en ouvrant tous les robinets d'eau chaude et laissez-les fonctionner pendant plusieurs minutes. Faites ceci avant d'utiliser tout appareil électrique connecté au système d'eau chaude. Cette procédure simple permettra à tout hydrogène gazeux accumulé de s'échapper. Le gaz étant inflammable, ne fumez pas et n'utilisez pas de flamme nue ou d'appareil pendant ce processus.

Utilisez cet appareil uniquement aux fins pour lesquelles il a été conçu, tel que décrit dans ce mode d'emploi.



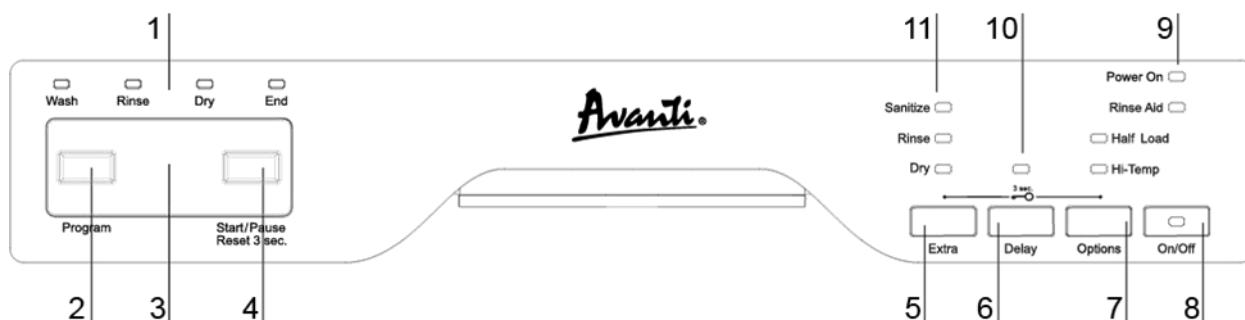
LIRE POUR UNE UTILISATION APPROPRI E

- Ne pas abuser, s'asseoir ou se tenir debout sur la porte ou le panier à
- vaisselle du lave-vaisselle. Ne touchez pas l'élément chauffant pendant ou
- immédiatement après l'utilisation.
Ne lavez pas d'articles en plastique à moins qu'ils ne portent la mention lavable au lave-vaisselle ou l'équivalent. Pour les articles en plastique non marqués, consultez les recommandations du fabricant.
- N'utilisez que des détergents et des additifs de rinçage conçus pour un lave-vaisselle automatique. Utiliser un détergent qui n'est pas spécialement conçu pour le lave-vaisselle, le lave-vaisselle se remplira de mousse.
- Tenez les enfants à l'écart du détergent et du produit de rinçage, éloignez les enfants de la porte ouverte du lave-vaisselle, il pourrait encore y avoir du détergent à l'intérieur.
- La porte ne doit pas être laissée en position ouverte car cela pourrait présenter un risque de
- trébuchement. Lors de l'installation, l'alimentation électrique ne doit pas être pliée ou
- aplatie.
Pour réduire le risque de blessures, ne laissez pas les enfants jouer dans ou sur un lave-vaisselle.
- N'utilisez pas votre lave-vaisselle tant que tous les panneaux de l'enceinte ne sont pas correctement en place. Ouvrez la porte très prudemment si le lave-vaisselle fonctionne, il y a un risque de projection d'eau.
- Ne placez pas d'objets lourds et ne montez pas sur la porte lorsqu'elle est ouverte. L'appareil pourrait basculer vers l'avant.
- Lors du chargement d'articles à laver:
 - 1) Placez les objets pointus de manière à ce qu'ils ne risquent pas d'endommager le joint de la porte;
 - 2) Chargez les couteaux tranchants avec les poignées vers le haut pour réduire le risque de blessures de type coupure.
- Lorsque vous utilisez votre lave-vaisselle, vous devez empêcher les articles en plastique d'entrer en contact avec le chauffage élément.
- Si le cordon d'alimentation est endommagé, il doit être remplacé par le fabricant ou son agent de service ou personne de qualification similaire afin d'éviter un danger.
- Veuillez éliminer correctement les matériaux d'emballage.
- N'utilisez le lave-vaisselle que pour sa fonction prévue.
- Retirez la porte lorsque vous retirez un ancien lave-vaisselle du service ou
- lorsque vous le jetez. Ne modifiez pas les commandes.
- Ne touchez pas l'élément chauffant pendant ou immédiatement après l'utilisation.

Avant d'utiliser votre lave-vaisselle

- Retirez l'emballage extérieur et intérieur.
 - Vérifiez que vous disposez de toutes les pièces suivantes:
 - 2 racks de lavage (1 supérieur / 1 inférieur)
 - 4 étagères pour tasses
 - 1 panier à couverts
 - 1 manuel d'instructions
 - 1 manuel d'installation
- Nettoyez la surface intérieure à l'eau tiède à l'aide d'un chiffon doux.

PANNEAU DE CONFIGURATION



<p>1 Témoins lumineux du cycle de lavage 2 Bouton de sélection de programme 3 Fenêtre d'affichage 4 Bouton de sélection Départ / Pause 5 Bouton de sélection de cycle supplémentaire</p>	<p>6 Bouton de sélection de départ différé 7 Bouton de sélection du cycle d'options 8 Bouton marche / arrêt 9 Témoin lumineux de mise sous tension 10 Témoin de démarrage différé 11 Témoin lumineux de cycle supplémentaire</p>
---	---

Le bouton Marche / Arrêt doit être enfoncé pour allumer ou éteindre la machine.

Une fois le programme sélectionné, le voyant approprié clignote / clignote par intermittence.

Programme de lavage pr programm

Programa	Información de Selección de ciclo	Tiempo Ciclo (Mins)	Option Half Load	Option Extra Dry	Option Extra Rinse	Option Sanitize	Option Hi-Temp
<i>Regular</i>	Programme standard pour une utilisation quotidienne, régulière ou typique pour laver complètement une charge de vaisselle normalement sale.	145					
<i>Auto</i>	Ce programme ajuste automatiquement la température et la quantité d'eau, la consommation d'énergie et la durée du programme.	155					
<i>Intensive</i>	Convient aux plats très sales.	130					
<i>Délicat</i>	Convient aux plats délicats légèrement sales	90				X	X
<i>Super</i>	Convient aux plats quotidiens normalement sales avec un temps de cycle plus rapide.	50					
<i>Rinse</i>	Convient pour rincer la vaisselle que vous prévoyez de laver plus tard.	15		X	X	X	X

La température de l'eau

De l'eau chaude est nécessaire pour obtenir les meilleurs résultats de lavage et de séchage de la vaisselle. L'eau entrant dans le lave-vaisselle doit être d'au moins 120 ° F (49 ° C) pour donner des résultats satisfaisants.

Pour vérifier la température de l'eau entrant dans le lave-vaisselle:

- Ouvrez le robinet d'eau chaude le plus proche du lave-vaisselle pendant plusieurs minutes pour éliminer l'eau froide des tuyaux.
- Tenez un thermomètre à bonbons ou à viande dans un jet d'eau pour vérifier la température.

- Si la température est inférieure à 120 ° F (49 ° C), demandez à une personne qualifiée d'augmenter le réglage du thermostat du chauffe-eau. Utilisation de votre appareil:

Utilisation de votre appareil:

SÉLECTION D'UN PROGRAMME DE LAVAGE:

- 1) Appuyez sur le bouton «ON / OFF» et maintenez-le enfoncé pour allumer votre machine.
- 2) Reportez-vous au tableau des cycles de lavage préprogrammés à la page précédente pour sélectionner un programme de lavage adapté à vos besoins.
- 3) Appuyez sur la touche «PROGRAM SELECTION» jusqu'à ce que le numéro du programme que vous avez sélectionné apparaisse à l'écran.
- 4) Appuyez sur le bouton «START / PAUSE» pour activer le programme de lavage.
- 5) Si vous devez ajouter un article pendant le cycle de lavage, appuyez sur le bouton Départ / Pause, ouvrez la porte, ajoutez votre article, fermez la porte de votre appareil et appuyez sur le bouton Départ / Pause pour continuer le programme de lavage activé.
- 6) Il n'est pas recommandé d'ouvrir la porte de votre machine pendant que le programme de lavage activé est en cours. Même dans ce cas, si la porte est ouverte et non fermée dans les 4 secondes environ, l'unité ne poursuivra pas le programme de lavage. Dans ce cas, vous devez fermer la porte et appuyer de nouveau sur la touche «START / PAUSE» pour continuer le programme de lavage.

ANNULATION D'UN PROGRAMME DE LAVAGE:

- 1) Appuyez sur le bouton «START / PAUSE» et maintenez-le enfoncé pendant environ 3 secondes.
- 2) L'écran affichera «1» pour confirmer l'annulation du programme de lavage.

Remarque: Si la porte est ouverte pendant le processus d'annulation, la porte doit être fermée dans les 4 secondes pour continuer le processus d'annulation.

Si la porte n'est pas fermée pendant les 4 secondes, fermez la porte et appuyez simplement sur le bouton «START / PAUSE» à nouveau pour continuer le processus d'annulation du programme de lavage.

SÉLECTION D'UNE OPTION DE LAVAGE OPTIONNELLE:

- 1) Sélectionnez le programme de lavage préprogrammé souhaité comme indiqué ci-dessus.
- 2) Avant d'appuyer sur le BOUTON «DÉMARRER / PAUSE», appuyez sur le bouton «OPTIONS».
- 3) Continuez d'appuyer jusqu'à ce que le voyant de l'option (demi-charge ou haute température) que vous désirez soit allumé.
- 4) Appuyez sur le bouton Extra pour choisir parmi les options Sanitize / Extra Rinse / Extra Dry.
- 5) Fermez la porte de votre appareil et appuyez sur la touche «START / PAUSE» pour activer le programme de lavage.

Options de lavage:

HALF LOAD:

Cette option vous permet d'économiser de l'énergie et de laver une plus petite charge. Cette option doit être utilisée lors du lavage à moins d'une charge complète ou dans le cas où vous ne souhaitez pas charger la laveuse et la faire fonctionner plus tard lorsqu'elle est complètement chargée.

DÉSINFECTER:

Lorsque l'option Désinfection est sélectionnée, la température de l'eau sera maintenue à 156 ° F / 69 ° C (maximum). La température maximale peut ne pas être atteinte si la température de l'eau entrante n'est pas adéquate.

Les lave-vaisselle résidentiels ne sont pas destinés aux établissements alimentaires autorisés ou aux applications commerciales.

HI-TEMP:

Lorsque l'option HI-Temp est sélectionnée, la température de l'eau sera maintenue à 140 ° F / 60 ° C (maximum). La température maximale peut ne pas être atteinte si la température de l'eau entrante n'est pas adéquate.

Les lave-vaisselle résidentiels ne sont pas destinés aux établissements alimentaires autorisés ou aux applications commerciales.

EXTRA DRY:

Lorsque l'option SECHAGE EXTRA est sélectionnée, la machine change la température de l'eau pour chaque programme et le séchage supplémentaire est effectué.

EXTRA RINSE (RINÇAGE SUPPLÉMENTAIRE) :

Lorsque l'option RINÇAGE SUPPLÉMENTAIRE est sélectionnée, les étapes de lavage et de rinçage seront ajoutées au programme sélectionné, afin que vous puissiez vous assurer que votre vaisselle sera extrêmement propre et brillante.

DELAY:

Pour retarder le début d'un cycle sélectionné, appuyez sur le bouton Départ différé jusqu'à ce que le temps de retard souhaité apparaisse sur l'affichage LED. Vous pouvez retarder l'heure de début de 1 à 19 heures. Pour annuler l'option de départ différé avant la fin de la période de retard définie, appuyez simplement sur le bouton DELAY et maintenez-le enfoncé pendant environ 3 secondes.

- 1) Sélectionnez le programme de lavage préprogrammé souhaité comme indiqué ci-dessus.
- 2) Avant d'appuyer sur le BOUTON «START / PAUSE», appuyez sur le bouton «DELAY».
- 3) Réglez le temps de «DELAY» en appuyant sur le bouton de minuterie «DELAY». Le temps augmentera par incréments de 1 heure à chaque pression sur le bouton.
- 4) Une fois que le bouton «DELAY» est enfoncé, l'écran affichera alternativement 1H et affichera également le numéro de programme sélectionné dans les 2 secondes le temps de retard.
- 5) Fermez la porte de votre appareil et appuyez sur le bouton «START / PAUSE».

Remarque: Si vous ouvrez et fermez la porte de la machine pendant le mode de minuterie différée, ou s'il y a eu une perte de courant électrique, la machine continuera en mode minuterie différée jusqu'à ce que la minuterie soit épuisée et démarrera le programme de lavage comme sélectionné. .

ANNULATION D'UN TEMPS DE RETARD RÉGLÉ:

Pour annuler la fonction de temporisation une fois réglée.

- 1) Appuyez sur le bouton «DELAY» et maintenez-le enfoncé pendant environ 3 secondes.
- 2) Après 3 secondes, l'écran affichera «0h» confirmant l'annulation du programme de temporisation.
- 3) Vous pouvez maintenant sélectionner un nouveau programme de lavage comme indiqué précédemment ci-dessus.

Remarque: vous ne pouvez pas régler un mode de temporisation une fois qu'un programme de lavage a commencé.

FIN DE CYCLE

À la fin du cycle de lavage, «0» s'affiche à l'écran.

Ouvrez la porte de la machine, appuyez et maintenez le bouton «DÉMARRER / PAUSE» pendant environ 3 secondes pour éteindre l'appareil.

PROTECTIONS DE DÉBORDEMENT

Notre lave-vaisselle Avanti est doté d'un dispositif de protection anti-débordement qui pourrait automatiquement fermer la vanne d'entrée et démarrer la pompe de vidange si l'eau déborde. En cas de débordement, l'affichage du système clignotera «F1» et tentera de vidanger l'eau. Si le trop-plein s'arrête et que le système évacue l'eau, «F1» disparaîtra.

Si le système ne peut pas arrêter la condition de débordement, coupez l'alimentation en eau principale avant d'appeler un réparateur. S'il y a de l'eau dans le bac de base en raison d'un trop-plein ou d'une petite fuite, l'eau doit être éliminée avant de redémarrer le lave-vaisselle.

COUPURE D'EAU - AVERTISSEMENT

Si, pendant un cycle de lavage, la conduite d'eau est coupée ou éteinte et que la machine ne peut pas aspirer d'eau, l'affichage clignotera «FF». Tant que la condition ou le manque d'eau persiste, l'affichage continuera à clignoter «FF», une fois que l'eau est retournée à l'unité, elle reviendra en mode de fonctionnement normal.

PERTE DE PUISSANCE ÉLECTRIQUE - AVERTISSEMENT

Si pendant un cycle de lavage l'électricité est perdue ou coupée ou si la porte de la machine a été ouverte, la machine ne peut pas fonctionner normalement, la machine reviendra en mode de fonctionnement normal après 8 secondes une fois l'alimentation rétablie et si la température interne de l'unité est au-dessus de 113°F.

DISTRIBUTEUR DE DÉTERGENT

POUR ÉVITER LA FORMATION DE DÉPÔTS DE DÉTERGENT, N'AJOUTEZ PAS UNE QUANTITÉ EXCESSIVE DE DÉTERGENT CAR VOTRE LAVE-VAISSELLE A UN ADOUCISSEUR D'EAU SPÉCIALEMENT CONÇU.

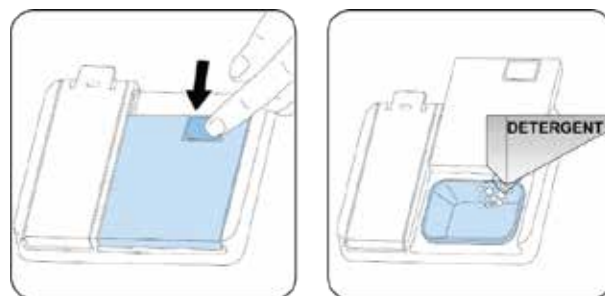
Le distributeur doit être rempli avant le début de chaque cycle de lavage en suivant les instructions fournies dans le «Tableau des cycles de lavage». Votre lave-vaisselle utilise moins de détergent et de produit de rinçage que les lave-vaisselle conventionnels. En règle générale, une seule cuillère à café de détergent est nécessaire pour une charge de lavage normale, les articles très sales peuvent nécessiter plus de détergent. Ajoutez toujours le détergent juste avant de démarrer le lave-vaisselle, sinon il pourrait devenir humide et ne pas se dissoudre correctement.

Quantité de détergent à utiliser

La quantité de détergent nécessaire peut varier en raison des différences de dureté de l'eau de votre région. Pour déterminer la dureté de l'eau dans votre région, contactez votre service d'eau local ou votre entreprise d'adoucissement d'eau. Plus l'eau est dure, plus vous aurez besoin de détergent. N'oubliez pas que vous devez ajuster la quantité de détergent que vous utilisez par petites quantités jusqu'à ce que vous trouviez la bonne quantité.

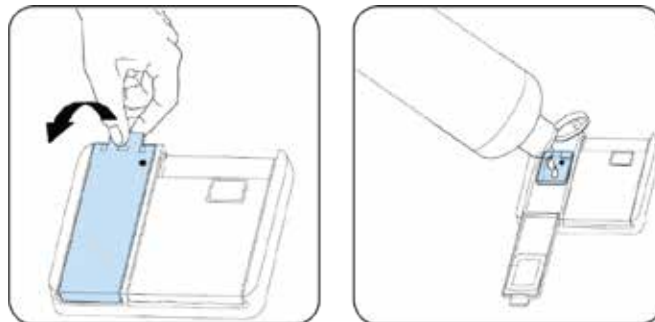
Utilisation appropriée du détergent

Utilisez uniquement un détergent spécialement conçu pour être utilisé dans le lave-vaisselle. Gardez votre détergent frais et sec. Ne mettez pas de détergent en poudre dans le distributeur avant d'être prêt à laver la vaisselle.



Distributeur de produit de rinçage

- Votre lave-vaisselle est conçu pour utiliser des produits de rinçage liquides. Le distributeur de produit de rinçage est situé sur la porte à côté du distributeur de produit de lavage. Remplissez le distributeur de liquide de rinçage jusqu'à ce que le niveau maximum soit atteint (environ 150 ml de liquide de rinçage). Veillez à ne pas trop remplir le distributeur car cela entraînerait une formation excessive de mousse. Essayez tout déversement avec un chiffon humide. Gardez à l'esprit que si vous avez de l'eau douce, vous n'aurez peut-être pas besoin d'utiliser de produit de rinçage car cela pourrait entraîner l'apparition d'un film blanc sur votre vaisselle.
- Pour ouvrir le distributeur, soulevez le couvercle du réservoir de produit de rinçage comme illustré ci-dessous.
- Versez le produit de rinçage dans le distributeur en veillant à ne pas trop remplir.
- Remplacez le couvercle après le remplissage.
- Le produit de rinçage est libéré lors du rinçage final pour empêcher l'eau de former des gouttelettes sur votre vaisselle qui peuvent laisser des taches et des stries. Il améliore également le séchage en permettant à l'eau de «s'échapper» de la vaisselle.



Réglage du distributeur de produit de rinçage

Une quantité mesurée de produit de rinçage est libérée lors du rinçage final. Comme pour le détergent, la quantité de produit de rinçage nécessaire pour votre vaisselle dépend de la dureté de l'eau de votre région. Trop de produit de rinçage peut donner de la mousse et provoquer un trouble ou des stries sur votre vaisselle. Si l'eau de votre région est très douce, vous n'aurez peut-être pas besoin de produit de rinçage. Si vous le faites, vous pouvez diluer le produit de rinçage avec une quantité égale d'eau.

Quand remplir le distributeur de produit de rinçage

Remplissez le réservoir de produit de rinçage lorsque le voyant du produit de rinçage sur le panneau de commande est allumé.

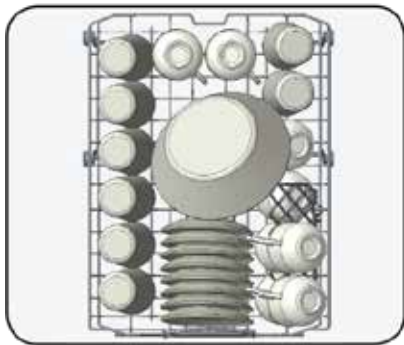
Chargement De Votre Lave-Vaisselle

Pour de meilleurs résultats, suivez ces instructions de chargement.

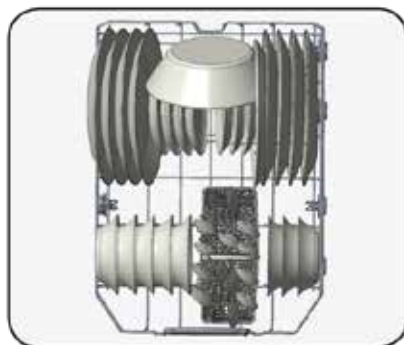
Recommandations: Retirez tout résidu grossier sur la vaisselle avant de placer la vaisselle dans la machine. Démarrez la machine à pleine charge.

Ne surchargez pas les tiroirs et ne placez pas la vaisselle dans le mauvais panier.

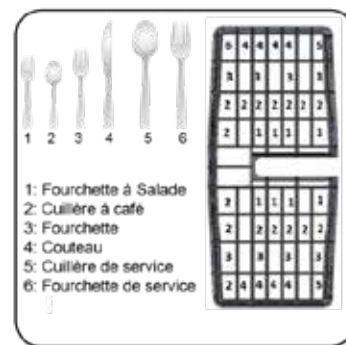
AVERTISSEMENT: placez toujours les ustensiles pointus avec la pointe pointue vers le bas et les ustensiles ouverts avec leurs ouvertures vers le bas.



Panier Supérieure



Panier Inferieur



Panier à Couverts

Comment utiliser le panier supérieur

Le panier supérieur est conçu pour contenir de la vaisselle plus délicate et plus légère comme des verres, des tasses et soucoupes à café et à thé, ainsi que des assiettes, des petits bols et des casseroles peu profondes (à condition qu'ils ne soient pas trop sales). Placez la vaisselle et les ustensiles de cuisine de manière à ce qu'ils ne soient pas déplacés par les jets d'eau.

Le panier supérieur peut être ajusté en hauteur en plaçant des roues à différentes hauteurs dans les rails.



Attention: assurez-vous que le rack est vide. La modification du réglage de la hauteur alors que le rack contient de la vaisselle peut entraîner le délogement du contenu, des blessures corporelles ou des dommages à la vaisselle.

- 1) Relâchez les loquets des rails droit et gauche du panier supérieur en les tournant vers l'extérieur (illustration A).
- 2) Retirez complètement la grille. (illustration B).
- 3) Remettez le rack dans le rail à la hauteur désirée (illustration C).
- 4) Repoussez les loquets dans la bonne position.

Comment utiliser le panier inférieur

nous vous recommandons de placer les gros articles qui sont les plus difficiles à nettoyer dans le panier inférieur: casseroles, poêles, couvercles, plats de service et bols, comme indiqué dans la figure ci-dessous.

Il est préférable de placer les plats de service et les couvercles sur le côté des grilles afin d'éviter de bloquer la rotation du bras d'aspersion supérieur.

Les casseroles, bols de service, etc. doivent toujours être placés de haut en bas. Les pots profonds doivent être inclinés pour permettre à l'eau de s'écouler.

Le panier inférieur comporte des rangées de dents rabattables afin de pouvoir charger des casseroles plus grandes ou plus.

Panier à couverts

L'argenterie doit être placée dans le panier à couverts avec des poignées en bas: si le panier a des paniers latéraux, la cuillère doit être chargée individuellement dans les fentes appropriées, en particulier les ustensiles longs doivent être placés en position horizontale à l'avant du panier supérieur.

Entretien et maintenance

Pour nettoyer le panneau de commande, utilisez un chiffon légèrement humide puis séchez soigneusement. Pour nettoyer l'extérieur, utilisez une bonne cire à polir pour électroménagers. N'utilisez jamais d'objets pointus, de tampons à récurer ou de nettoyeurs agressifs sur aucune partie du lave-vaisselle.

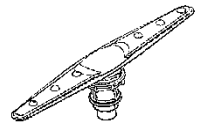
Protéger contre le gel

Si votre lave-vaisselle doit être laissé dans un endroit non chauffé pendant l'hiver, demandez à un technicien de service de :

1. Coupez l'alimentation électrique du lave-vaisselle. Retirez les fusibles ou faites basculer le disjoncteur.
2. Coupez l'alimentation en eau et débranchez le tuyau d'arrivée d'eau de la vanne d'eau.
3. Vidangez l'eau du tuyau d'entrée et de la vanne d'eau. (Utilisez une casserole pour récupérer l'eau.)
4. Rebranchez le tuyau d'arrivée d'eau au robinet d'eau.
5. Retirez le couvercle du puisard en plastique dans la cuve au fond et utilisez une éponge pour absorber l'eau dans la botte en caoutchouc.

Nettoyage des bras gicleurs

Il est nécessaire de nettoyer régulièrement les bras gicleurs ou des produits chimiques à l'eau dure obstruent les jets et les roulements des bras gicleurs. Pour retirer le bras d'aspersion, retirez la rondelle sur le dessus du bras d'aspersion et retirez le bras. Lavez les bras dans de l'eau savonneuse et tiède et utilisez une brosse douce pour nettoyer les jets. Remplacez-les après les avoir soigneusement rincés.



Système de filtrage

Pour votre commodité, nous avons placé la pompe de vidange et le système de filtrage à portée de main à l'intérieur de la baignoire. Le système de filtrage comprend trois composants: le filtre grossier, le filtre fin et le filtre principal.

1. Filtre grossier

Les objets plus gros, tels que des morceaux d'os ou de verre, qui pourraient obstruer le drain sont emprisonnés dans le filtre grossier. Pour retirer un élément pris dans ce filtre, tournez doucement le haut du filtre grossier dans le sens antihoraire et soulevez-le.

2. Filtre fin

Ce filtre retient la saleté et les résidus alimentaires dans la zone du puisard et l'empêche de se redéposer sur la vaisselle pendant un cycle.

3. Filtre principal

Les particules de nourriture et de terre piégées par ce filtre sont pulvérisées par un jet spécial sur le bras d'aspersion inférieur et lavées dans le drain.

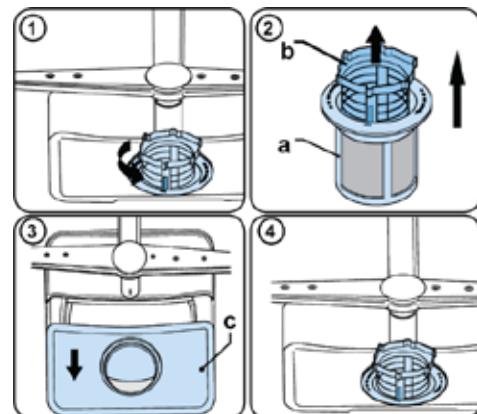
Nettoyage de l'assemblage du filtre

Tournez le filtre grossier dans le sens inverse des aiguilles d'une montre.

1. Soulevez le filtre grossier (b) avec le filtre fin (a)
2. Séparez le filtre fin en le soulevant du parcours du Filtre grossier (b).
3. Retirez le filtre principal (c).
4. Lavez tous les filtres.

Pour remplacer le filtre, suivez les mêmes étapes en sens inverse. Pour des performances et des résultats optimaux, le filtre doit être nettoyé.

Le lave-vaisselle ne doit jamais être utilisé sans les filtres. Un remplacement incorrect du filtre peut réduire le niveau de performance de l'appareil et endommager la vaisselle et les ustensiles.

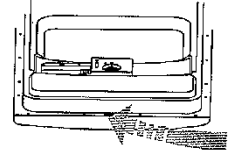


AVERTISSEMENT - Ne faites jamais fonctionner le lave-vaisselle sans les filtres en place.

Nettoyage de la porte

Pour nettoyer le bord autour de la porte, vous ne devez utiliser qu'un chiffon doux, chaud et humide. Pour empêcher l'eau de pénétrer dans la serrure de la porte et les composants électriques, n'utilisez aucun nettoyant en aérosol.

De plus, n'utilisez jamais de nettoyants abrasifs ou de tampons à récurer sur les surfaces extérieures car ils rayeraient la finition. Certaines serviettes en papier peuvent également rayer ou laisser des marques sur la surface.



AVERTISSEMENT - N'utilisez jamais de spray nettoyant pour nettoyer le panneau de porte car cela pourrait endommager la serrure de la porte et les composants électriques. Il est interdit d'utiliser l'agent abrasif ou une serviette en papier en raison du risque de rayer ou de laisser des taches sur la surface en acier inoxydable.

Comment garder votre lave-vaisselle en forme

Après chaque lavage

Après chaque lavage, fermez l'alimentation en eau de l'appareil et laissez la porte légèrement entrouverte afin que l'humidité et les odeurs ne soient pas emprisonnées à l'intérieur.

Pas de solvants ni de produits de nettoyage abrasifs

Pour nettoyer l'extérieur et les pièces en caoutchouc du lave-vaisselle, n'utilisez pas de solvants ou de produits de nettoyage abrasifs. Utilisez plutôt uniquement un chiffon et de l'eau chaude savonneuse. Pour enlever les taches ou les tâches de la surface de l'intérieur, utilisez un chiffon imbibé d'eau et un peu de vinaigre blanc, ou un produit de nettoyage spécialement conçu pour les lave-vaisselle.

Quand tu pars en vacances

Lorsque vous partez en vacances, il est recommandé d'exécuter un cycle de lavage avec le lave-vaisselle vide et de retirer la fiche de la prise secteur, de couper l'alimentation en eau et de laisser la porte de l'appareil légèrement entrouverte. Cela aidera les joints à durer plus longtemps et empêchera la formation d'odeurs dans l'appareil.

Scellés

L'un des facteurs qui provoquent la formation d'odeurs dans le lave-vaisselle est la nourriture qui reste emprisonnée dans les joints. Un nettoyage périodique avec une éponge humide évitera que cela se produise.

PROBLÈMES AVEC VOTRE LAVE-VAISSELLE?

Vous pouvez résoudre facilement de nombreux problèmes de lave-vaisselle courants, ce qui vous évite le coût d'un éventuel appel de service. Essayez les suggestions ci-dessous pour voir si vous pouvez résoudre le problème avant d'appeler le réparateur.

GUIDE DE DÉPANNAGE

PROBLÈME	CAUSE POSSIBLE	QUE FAIRE
Le lave-vaisselle ne fonctionne pas.	Le disjoncteur s'est déclenché ou le fusible a grillé. L'alimentation n'est pas tournée sur. La pression de l'eau est basse.	Remplacez le fusible ou réinitialisez le disjoncteur. Retirez tous les autres appareils partageant le même circuit avec le lave-vaisselle Assurez-vous que le lave-vaisselle est allumé et que la porte est bien fermée. Assurez-vous que le cordon d'alimentation est correctement branché. Vérifiez que l'alimentation en eau est correctement raccordée et que l'eau est ouverte.
La pompe de vidange ne s'arrête pas	Débordement	Le système est conçu pour détecter un débordement. Sinon, il arrête la pompe de circulation et allume la pompe de vidange. Voir Over Flow
Bruit	Certains sons audibles sont normaux. Les ustensiles ne sont pas fixés dans les paniers ou quelque chose de petit est tombé dans le panier. Le moteur bourdonne.	Son provenant de l'action de déchiquetage des aliments mous et de l'ouverture du godet de détergent. Assurez-vous que tout est sécurisé dans le lave-vaisselle. Le lave-vaisselle n'a pas été utilisé régulièrement. Si vous ne l'utilisez pas souvent, n'oubliez pas de le régler pour qu'il se remplisse et pomper chaque semaine, ce qui aidera à garder le joint humide.
Suds dans la baignoire	Détergent inapproprié. Agent de rinçage renversé.	Utilisez uniquement le détergent spécial lave-vaisselle pour éviter la formation de mousse. Si cela se produit, ouvrez le lave-vaisselle et laissez la mousse s'évaporer. Ajouter 1 gallon d'eau froide dans la baignoire. Fermez et verrouillez le lave-vaisselle, puis vidangez l'eau en tournant lentement le cadran jusqu'à ce qu'une période de vidange soit atteinte. Répétez si nécessaire. Toujours essuyer l'agent de rinçage se répand immédiatement.
Intérieur de la baignoire taché	Le détergent avec colorant était Utilisé.	Assurez-vous que le détergent est celui sans colorant.
Les plats ne sont pas séchés	Le distributeur de produit de rinçage est vide.	Assurez-vous que le distributeur d'agent de rinçage est rempli.
Vaisselle et couverts non propres.	Programme inapproprié. Chargement incorrect du rack.	Sélectionnez un programme plus efficace. Assurez-vous que l'action du distributeur de détergent et des bras gicleurs n'est pas bloquée par une grande vaisselle.
Nébulosité sur la verrerie.	Combinaison d'eau douce et trop de détergent.	Utilisez moins de détergent si vous avez de l'eau douce et sélectionnez un cycle plus court pour laver la verrerie
Film jaune ou brun sur les surfaces intérieures.	Taches de thé ou de café. Les dépôts de fer dans l'eau peuvent provoquer un film global.	En utilisant une solution de ½ tasse d'eau de javel et 3 tasses d'eau tiède pour enlever les taches à la main. avertissement Il faut attendre 20 minutes après un cycle pour laisser refroidir les éléments chauffants avant de nettoyer l'intérieur: sinon, des brûlures se produiront. Vous devez appeler une entreprise d'adoucisseur d'eau pour un filtre spécial.

Film blanc sur la surface intérieure.	Minéraux d'eau dure	Pour nettoyer l'intérieur, utilisez une éponge humide avec du détergent pour lave-vaisselle et portez des gants en caoutchouc. N'utilisez jamais d'autre nettoyant que le détergent pour lave-vaisselle pour éviter la formation de mousse ou de mousse.
Détergent laissé dans les gobelets du distributeur.	La vaisselle bloque les tasses de détergent.	Rechargez correctement la vaisselle.
Vapeur	Phénomène normal	Il y a de la vapeur qui passe par l'évent par le loquet de la porte pendant le séchage et la vidange de l'eau.
Marques noires ou grises sur la vaisselle.	Des ustensiles en aluminium ont frotté contre la vaisselle.	Utilisez un nettoyant abrasif doux pour éliminer ces marques.
Eau stagnante au fond de la baignoire.	C'est normal.	Une petite quantité d'eau propre autour de la sortie sur le fond de la baignoire à l'arrière de la baignoire maintient le joint d'étanchéité lubrifié.
L'eau ne pompe pas hors de la baignoire.	Le drain est bouché.	Assurez-vous que l'évier de la cuisine se vide bien. Si le lave-vaisselle se vide dans un broyeur, faites-le nettoyer.
Le lave-vaisselle fuit.	Trop remplir le distributeur ou renverser du produit de rinçage. Le lave-vaisselle n'est pas de niveau.	Veillez à ne pas trop remplir le distributeur de produit de rinçage. Un liquide de rinçage renversé peut provoquer un excès de mousse et un débordement. Essayez tout déversement avec un chiffon humide. Assurez-vous que le lave-vaisselle est de niveau.

AVERTISSEMENTS DE CODE D'ERREUR - DESCRIPTIONS

CODE D'ERREUR	ÉTAT	QUE FAIRE
FF	Panne du système d'entrée d'eau	Assurez-vous que le robinet d'arrivée d'eau est ouvert et que l'eau coule Séparez le tuyau d'arrivée du robinet et nettoyez le filtre du tuyau. Contactez le service si l'erreur persiste.
F5	Panne du système de pression	Contactez le service à la clientèle.
F3	Entrée d'eau continue	Fermez le robinet et contactez le service client.
F2	Incapacité de rejeter l'eau	Le tuyau d'évacuation de l'eau et les filtres peuvent être obstrués. Annulez le programme, si l'erreur persiste, contactez le service.
F8	Erreur de chauffage	Contactez le service à la clientèle
F1	Débordement	Débranchez la machine et fermez le robinet, contactez le service client.
FE	Carte électronique défectueuse	Contactez le service à la clientèle
F7	Surchauffe	Contactez le service à la clientèle
F9	Erreur de position du diviseur	Contactez le service à la clientèle
F6	Capteur de chauffage défectueux	Contactez le service à la clientèle
SALUT	Panne haute tension	Contactez le service à la clientèle

SERVICE POUR VOTRE LAVE-VAISSELLE

noussont fiers de notre organisation de service à la clientèle et du réseau de techniciens de service professionnels qui fournissent un service sur vos lave-vaisselle Avanti. Avec l'achat de votre lave-vaisselle Avanti, vous pouvez être sûr que si jamais vous avez besoin d'informations ou d'assistance supplémentaires, l'équipe du service clientèle Avanti Products sera là pour vous. Appelez-nous sans frais.

SERVICES CLIENTS AVANTI PRODUCTS

Information produit 800-323-5029	Quelles que soient vos questions sur nos produits, une aide est disponible.
Commandes de pièces 800-220-5570	Vous pouvez commander des pièces et accessoires qui seront livrés directement à votre domicile, par chèque personnel, mandat-poste, Master Card ou Visa.
Service de réparation à domicile 800-220-5570	Un centre de service agréé Avanti Products fournira un service de réparation expert, programmé à une heure qui vous convient. Nos techniciens qualifiés connaissent parfaitement votre lave-vaisselle.

<p align="center">VOTRE GARANTIE DES PRODUITS AVANTI</p>	<p>Agrafez votre ticket de caisse ici. Une preuve de la date d'achat originale est nécessaire pour obtenir un service sous garantie.</p>
<p><u>CE QUI EST COUVERT - GARANTIE LIMITÉE D'UN AN</u> Avanti Products garantit que le produit est exempt de défauts de matériaux et / ou de fabrication pendant une période de douze (12) mois à compter de la date d'achat par le propriétaire d'origine. Le calendrier ci-dessus commence à courir à la date d'achat et ne doit pas être bloqué, facturé, prolongé ou suspendu pour quelque raison que ce soit, à moins d'être décrit en détail dans le document de garantie. Pendant un an à compter de la date d'achat par le propriétaire d'origine, les produits Avanti répareront ou remplaceront, à sa discrétion, toute pièce du produit qui s'avère défectueuse en matière de matériau ou de fabrication dans des conditions normales d'utilisation. Avanti Products vous fournira un produit raisonnablement similaire, neuf ou remis à neuf en usine. Pendant cette période, Avanti Products fournira gratuitement toutes les pièces et la main-d'œuvre nécessaires pour corriger ces défauts, tant que le produit a été installé et utilisé conformément aux instructions écrites de ce manuel. En utilisation locative ou commerciale, la période de garantie est de 90 jours. Tous les appareils Avanti d'une capacité de 3,5 pieds cubes ou moins doivent être apportés / envoyés au centre de service de l'appareil pour réparation.</p>	
<p align="center"><u>CETTE SECTION S'APPLIQUE UNIQUEMENT AUX LAVE-VÊTEMENTS</u></p> <p><u>GARANTIE LIMITÉE DE CINQ ANS SUR LES BAIGNOIRES EN PLASTIQUE</u> Après un an et jusqu'à cinq ans à compter de la date d'achat, Avanti Products fournira une cuve en plastique de remplacement, pour une cuve défectueuse en matière de matériau ou de fabrication. Tous les frais de main-d'œuvre et de transport sont à la charge du consommateur.</p> <p><u>GARANTIE LIMITÉE DE SEPT ANS SUR LA BAIGNOIRE EN ACIER INOXYDABLE</u> Après un an et jusqu'à sept ans à compter de la date d'achat, Avanti Products fournira une cuve en plastique de remplacement, pour celle qui présente un défaut de matériau ou de fabrication. Tous les frais de main-d'œuvre et de transport sont à la charge du consommateur.</p>	
<p><u>EXCLUSIONS DE GARANTIE / CE QUI N'EST PAS COUVERT:</u> La couverture de garantie décrite ici exclut tous les défauts ou dommages qui ne sont pas la faute directe des produits Avanti, y compris, sans s'y limiter, un ou plusieurs des éléments suivants:</p>	
<p>Un non-respect des codes, réglementations ou lois applicables en matière d'électricité, de plomberie et / ou de bâtiment de l'état, de la localité, de la ville ou du comté, y compris le défaut d'installer le produit en stricte conformité avec les codes et réglementations locaux en matière d'incendie et de construction.</p> <p>Toutes les forces et facteurs externes, élémentaires et / ou environnementaux, y compris, sans s'y limiter, la pluie, le vent, le sable, les inondations, les incendies, les glissements de terrain, les températures de gel, l'humidité excessive ou une exposition prolongée à l'humidité, la foudre, les surtensions, les défaillances structurelles entourant l'appareil, et les actes de Dieu.</p>	
<p>Dommages accidentels ou consécutifs</p> <p>Les frais de pièces et de main-d'œuvre pour les éléments suivants ne seront pas considérés comme une garantie:</p> <ul style="list-style-type: none"> Ressorts de porte et / ou cadres. Panneaux de porte intérieurs, tablettes de porte, rails de porte et / ou supports de porte. <p>Les frais d'expédition et de manutention associés au remplacement de l'unité.</p> <p>Les réparations effectuées par des réparateurs non autorisés.</p> <p>Panne du produit s'il est utilisé à d'autres fins que celles pour lesquelles il a été conçu.</p>	<p>La garantie ne s'applique pas en dehors des États-Unis continentaux.</p> <p>Suppléments, y compris, mais sans s'y limiter, les appels de service après les heures, les fins de semaine ou les jours fériés, les péages, les frais de voyage en ferry ou les frais de kilométrage pour les appels de service dans les régions éloignées.</p> <p>Les appels de service liés à des problèmes externes, tels que des abus, une mauvaise utilisation, une alimentation électrique inadéquate, des accidents, un incendie, des inondations ou tout autre cas de force majeure.</p>
<p>En aucun cas, Avanti Products ne pourra être tenu responsable des dommages causés aux biens environnants, y compris les armoires, les sols, les plafonds et autres structures et / ou objets autour du produit. Sont également exclus de cette garantie les rayures, entailles, bosses mineures et autres dommages esthétiques sur les surfaces externes et les pièces exposées; Produits sur lesquels les numéros de série ont été modifiés, effacés ou supprimés; des visites de service pour l'éducation des clients ou des visites où il n'y a rien de mal avec le produit; correction des problèmes d'installation (vous êtes seul responsable de toute structure et de tout réglage du produit, y compris de toutes les installations électriques, de plomberie et / ou d'autres installations de raccordement, pour les fondations / revêtements de sol appropriés, et pour toute modification, y compris, sans</p>	
<p><u>PRODUIT HORS GARANTIE</u> Avanti Products n'a aucune obligation, en droit ou autrement, de vous fournir des concessions, y compris les réparations, les tarifs au prorata ou le remplacement de produit, une fois cette garantie expirée.</p>	

Registration Information

Thank you for purchasing this fine Avanti product. Please fill out this form and return it to the following address within 100 days from the date of purchase and receive these important benefits:

Avanti Products LLC
P.O.Box 520604 – Miami, Florida 33152

Protect your product:

We will keep the model number and date of purchase of your new Avanti product on file to help you refer to this information in the event of an insurance claim such as fire or theft.

Promote better products:

We value your input. Your responses will help us develop products designed to best meet your future needs.

------(detach here)-----

Avanti Registration Card

Name	Model #	Serial #
Address	Date Purchased	Store / Dealer Name
City State Zip	E-mail Address	
Area Code Phone Number	Occupation	
Did You Purchase An Additional Warranty	As your Primary Residence, Do You:	
Extended	Own	Rent
None		
Reason for Choosing This Avanti Product: Please indicate the most important factors That influenced your decision to purchase this product:	Your Age:	
Price	under 18	18-25 26-30
Product Features	31-35	36-50 over 50
Avanti Reputation	<u>Marital Status:</u>	
Product Quality	Married	Single
Salesperson Recommendation	<u>Is This Product Used In The:</u>	
Other: _____	Home	Business
Friend / Relative Recommendation	<u>How Did You Learn About This Product:</u>	
Warranty	Advertising	In-Store Demo
Other: _____	Personal Demo	
Comments:		

