



website <http://www.lgservice.com>

LG

ENGLISH

FRANÇAIS

ESPAÑOL

LG

Room Air Conditioner

***INSTALLATION MANUAL***

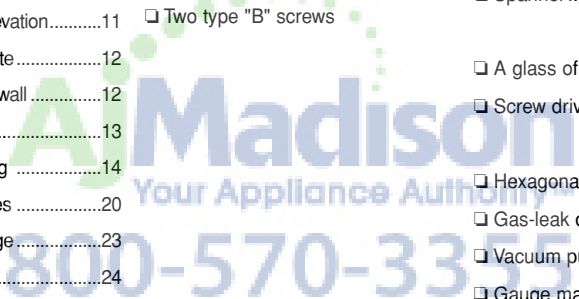
**AjMadison**  
Your Appliance Authority™  
800-570-3355

**IMPORTANT**

- Please read this instruction manual completely before installing the product.
- When the power cord is damaged, replacement should be performed by authorized personnel only.
- Installation work must be performed in accordance with the national wiring standards by authorized personnel only.
- Please retain this installation manual for future reference after reading it thoroughly.

# TABLE OF CONTENTS

<b>Installation Requirements</b>	<b>Required Parts</b>	<b>Required Tools</b>
<b>Safety Precautions</b> .....4	<input type="checkbox"/> Four type "A" screws & plastic anchors	<input type="checkbox"/> Level gauge
<b>Introduction</b> .....7	<input type="checkbox"/> Connecting cable	<input type="checkbox"/> Screw driver
Symbols used in this manual.....7	<input type="checkbox"/> Installation guide map	<input type="checkbox"/> Electric drill
Features .....7		<input type="checkbox"/> Hole core drill [ø70mm(2.76in)]
<b>Installation</b> .....8	<input type="checkbox"/> Pipes: Gas side	<input type="checkbox"/> Horizontal meter
Installation parts.....8	Liquid side	<input type="checkbox"/> Flaring tool set
Installation tools .....8	<input type="checkbox"/> Insulation materials	<input type="checkbox"/> Specified torque wrenches 1.8kg.m, 4.2kg.m, 5.5kg.m, 6.6kg.m (different depending on model No.)
Installation map.....9	<input type="checkbox"/> Additional drain pipe [Outer diameter.....15.5mm(0.61in)]	<input type="checkbox"/> Spanner .....Half union
Selecting the best location .....10	<input type="checkbox"/> Two type "B" screws	
Piping length and elevation.....11		<input type="checkbox"/> A glass of water
Fixing installation plate .....12		<input type="checkbox"/> Screw driver
Drilling a hole in the wall .....12		<input type="checkbox"/> Hexagonal wrench(4mm)
Flaring work .....13		<input type="checkbox"/> Gas-leak detector
Connecting the piping .....14		<input type="checkbox"/> Vacuum pump
Connecting the cables .....20		<input type="checkbox"/> Gauge manifold
Checking the drainage .....23		
Forming the piping.....24		<input type="checkbox"/> Owner's manual
Air purging.....25		<input type="checkbox"/> Thermometer
Test running .....27		<input type="checkbox"/> Remote control holder
Installation guide at the seaside ...29		



# Wall Mounted Mini-Split System Single Zone INSTALLATION INSTRUCTIONS

## IMPORTANT!

**Please read this instruction sheet completely before installing the product.**

This air conditioning system meets strict safety and operating standards. As the installer or service person, it is an important part of your job to install or service the system so it operates safely and efficiently.



### WARNING

- Installation or repairs made by unqualified persons can result in hazards to you and others. Installation MUST conform with local building codes or, in the absence of local codes, with the National Electrical Code NFPA 70/ANSI C1-1993 or current edition and Canadian Electrical Code Part I CSA C.22.1.
- The information contained in the manual is intended for use by a qualified service technician familiar with safety procedures and equipped with the proper tools and test instruments.
- Failure to carefully read and follow all instructions in this manual can result in equipment malfunction, property damage, personal injury and/or death.

**CAUTION:** Improper installation, adjustment, alteration, service or maintenance can void the warranty.

The weight of the condensing unit requires caution and proper handling procedures when lifting or moving to avoid personal injury. Use care to avoid contact with sharp or pointed edges.

### Safety Precautions

- Always wear safety eye wear and work gloves when installing equipment.
- Never assume electrical power is disconnected. Check with meter and equipment.
- Keep hands out of fan areas when power is connected to equipment.
- R-410A causes frostbite burns.
- R-410A is toxic when burned.

**NOTE TO INSTALLING DEALER:** The Owners Instructions and Warranty are to be given to the owner or prominently displayed near the indoor Furnace/Air Handler Unit.



### WARNING

#### When wiring:

**Electrical shock can cause severe personal injury or death. Only a qualified, experienced electrician should attempt to wire this system.**

- Do not supply power to the unit until all wiring and tubing are completed or reconnected and checked.
- Highly dangerous electrical voltages are used in this system. Carefully refer to the wiring diagram and these instructions when wiring. Improper connections and inadequate grounding can cause accidental injury or death.
- Ground the unit following local electrical codes.
- Connect all wiring tightly. Loose wiring may cause overheating at connection points and a possible fire hazard.

#### When transporting:

Be careful when picking up and moving the indoor and outdoor units. Get a partner to help, and bend your knees when lifting to reduce strain on your back. Sharp edges or thin aluminum fins on the air conditioner can cut your finger.

#### When installing...

... **in a wall:** Make sure the wall is strong enough to hold the unit's weight.

It may be necessary to construct a strong wood or metal frame to provide added support.

... **in a room:** Properly insulate any tubing run inside a room to prevent "sweating" that can cause dripping and water damage to wall and floors.

... **in moist or uneven locations:** Use a raised concrete pad or concrete blocks provide a solid, level foundation for the outdoor unit. This prevents water damage and abnormal vibration.

... **in an area with high winds:** Securely anchor the outdoor unit down with bolts and a metal frame. Provide a suitable air baffle.

... **in a snowy area(for Heat Pump Model):** Install the outdoor unit on a raised platform that is higher than drifting snow. Provide snow vents.

#### When connecting refrigerant tubing

- Keep all tubing runs as short as possible.
- Use the flare method for connecting tubing.
- Check carefully for leaks before starting the test run.

#### When servicing

- Turn the power OFF at the main power box(mains) before opening the unit to check or repair electrical parts and wiring.
- Keep your fingers and clothing away from any moving parts.
- Clean up the site after you finish, remembering to check that no metal scraps or bits of wiring have been left inside the unit being serviced.

# Safety Precautions



To prevent the injury of the user or other people and property damage, the following instructions must be followed.

- Be sure to read before installing the air conditioner.
- Be sure to observe the cautions specified here as they include important items related to safety.
- Incorrect operation due to ignoring instruction will cause harm or damage. The seriousness is classified by the following indications.

**⚠ WARNING** This symbol indicates the possibility of death or serious injury.

**⚠ CAUTION** This symbol indicates the possibility of injury or damage to properties only.

- The meanings of the symbols used in this manual are as shown below.

	<b>Be sure not to do.</b>
	<b>Be sure to follow the instruction.</b>

## ⚠ WARNING

### ■ Installation

**Always perform grounding.**

**Don't use a power cord, a plug or a loose socket which is damaged.**

**For installation of the product, always contact the service center or a professional installation agency.**

- Otherwise, it may cause electrical shock.
- Otherwise, it may cause a fire or electrical shock.
- Otherwise, it may cause a fire, electrical shock, explosion or injury.

**Securely attach the electrical part cover to the indoor unit and the service panel to the outdoor unit.**

**Always install an air leakage breaker and a dedicated switching board.**

**Do not keep or use flammable gases or combustibles near the air conditioner.**

- If the electrical part cover of the indoor unit and the service panel of the outdoor unit are not attached securely, it could result in a fire or electric shock due to dust, water, etc.
- No installation may cause a fire and electrical shock.
- Otherwise, it may cause a fire or the failure of product.

**Ensure that an installation frame of the outdoor unit is not damaged due to use for a long time.**

**Do not disassemble or repair the product randomly.**

- It may cause injury or an accident.
- It will cause a fire or electrical shock.

**Do not install the product at a place that there is concern of falling down.**

- Otherwise, it may result in personal injury.

**Use caution when unpacking and installing.**

- Sharp edges may cause injury.

## ■ Operation

**Do not share the outlet with other appliances.**

- It will cause an electric shock or a fire due to heat generation.

**Do not use the damaged power cord.**

- Otherwise, it may cause a fire or electrical shock.

**Do not modify or extend the power cord randomly.**

- Otherwise, it may cause a fire or electrical shock.

**Take care so that the power cord may not be pulled during operation.**

- Otherwise, it may cause a fire or electrical shock.

**Unplug the unit if strange sounds, smell, or smoke comes from it.**

- Otherwise, it may cause electrical shock or a fire.

**Keep the flames away.**

- Otherwise, it may cause a fire.

**Take the power plug out if necessary, holding the head of the plug and do not touch it with wet hands.**

- Otherwise, it may cause a fire or electrical shock.

**Do not use the power cord near the heating tools.**

- Otherwise, it may cause a fire and electrical shock.

**Do not open the suction inlet of the indoor/outdoor unit during operation.**

- Otherwise, it may electrical shock and failure.

**Do not allow water to run into electrical parts.**

- Otherwise, it may cause the failure of machine or electrical shock.

**Hold the plug by the head when taking it out.**

- It may cause electric shock and damage.

**Never touch the metal parts of the unit when removing the filter.**

- They are sharp and may cause injury.

**Do not step on the indoor/outdoor unit and do not put anything on it.**

- It may cause an injury through dropping of the unit or falling down.

**Do not place a heavy object on the power cord.**

- Otherwise, it may cause a fire or electrical shock.

**When the product is submerged into water, always contact the service center.**

- Otherwise, it may cause a fire or electrical shock.

**Take care so that children may not step on the outdoor unit.**

- Otherwise, children may be seriously injured due to falling down.

---

---

**⚠ CAUTION**

---

---

**■ Installation**

---

**Install the drain hose to ensure that drain can be securely done.**

- Otherwise, it may cause water leakage.

**Install the product so that the noise or hot wind from the outdoor unit may not cause any damage to the neighbors.**

- Otherwise, it may cause dispute with the neighbors.

**Always inspect gas leakage after the installation and repair of product.**

- Otherwise, it may cause the failure of product.

**Keep level parallel in installing the product.**

- Otherwise, it may cause vibration or water leakage.

**■ Operation**

---

**Avoid excessive cooling and perform ventilation sometimes.**

- Otherwise, it may do harm to your health.

**Use a soft cloth to clean. Do not use wax, thinner, or a strong detergent.**

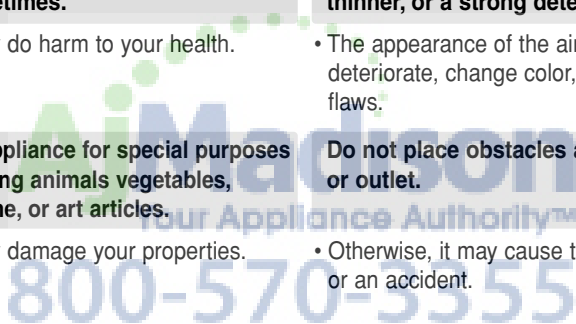
- The appearance of the air conditioner may deteriorate, change color, or develop surface flaws.

**Do not use an appliance for special purposes such as preserving animals vegetables, precision machine, or art articles.**

- Otherwise, it may damage your properties.

**Do not place obstacles around the flow inlet or outlet.**

- Otherwise, it may cause the failure of appliance or an accident.



# Introduction

## Symbols used in this Manual



This symbol alerts you to the risk of electric shock.

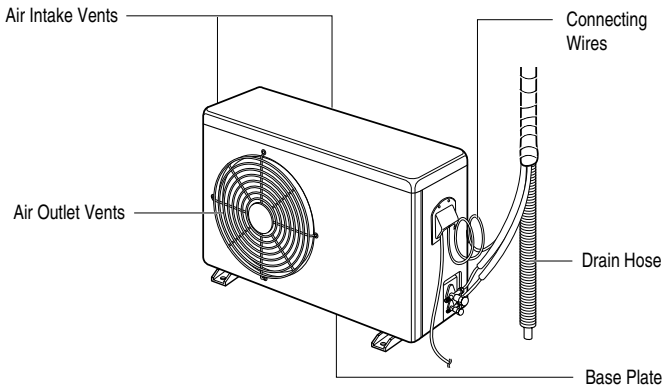
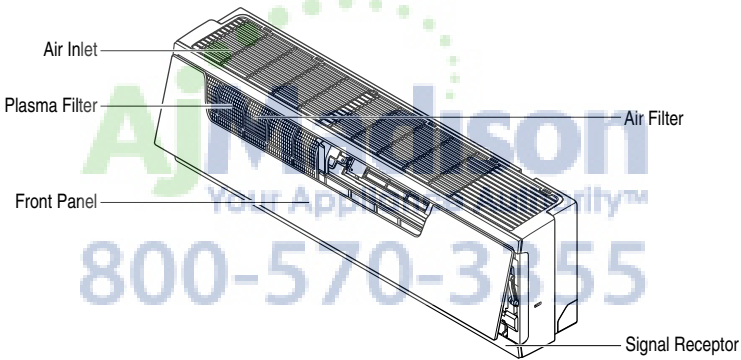


This symbol alerts you to hazards that may cause harm to the air conditioner.

## NOTICE

This symbol indicates special notes.

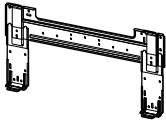
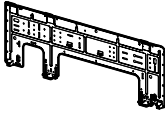






## Features




# Installation

Read carefully, and then follow step by step.

## Installation Parts

Type 1	Type 2
Installation plate	Installation plate
	
Type "B" screw	Type "B" screw
	
Type "A" screw (6 EA)	Type "A" screw (8 EA)
	
Remote control holder	Remote control holder
	

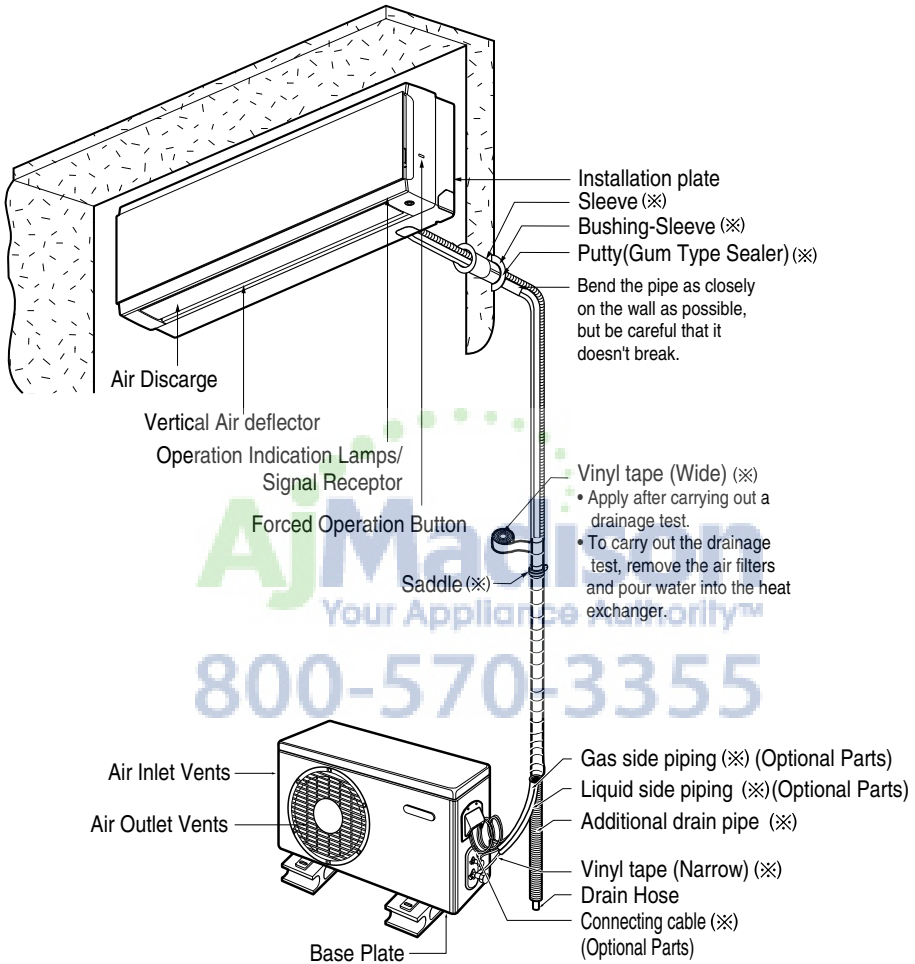
## Installation Tools

Figure	Name	Figure	Name
	Screw driver		Ohmmeter
	Electric drill		Hexagonal wrench
	Measuring tape, Knife		Ammeter
	Hole core drill		Gas-leak detector
	Spanner		Thermometer, Horizontal meter
	Torque wrench		Flaring tool set

# Installation Map

## NOTICE

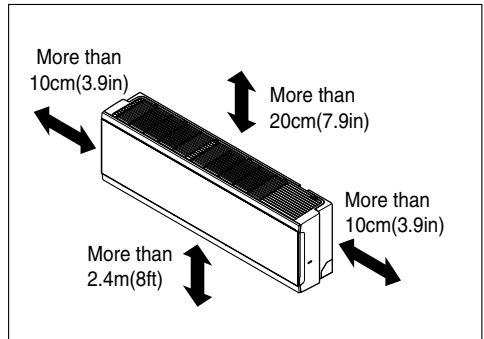
Installation parts you should purchase. (※)



## Select the best Location

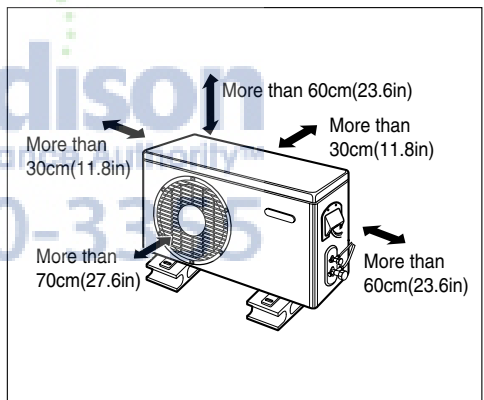
### Indoor unit

1. Do not have any heat or steam near the unit.
2. Select a place where there are no obstacles in front of the unit.
3. Make sure that condensation drainage can be conveniently routed away.
4. Do not install near a doorway.
5. Ensure that the interval between a wall and the left (or right) of the unit is more than 10cm(3.9in). The unit should be installed as high as possible on the wall, allowing a minimum of 20cm(7.9in) from ceiling.
6. Use a metal detector or metal scanner to locate studs to prevent unnecessary damage to the wall.



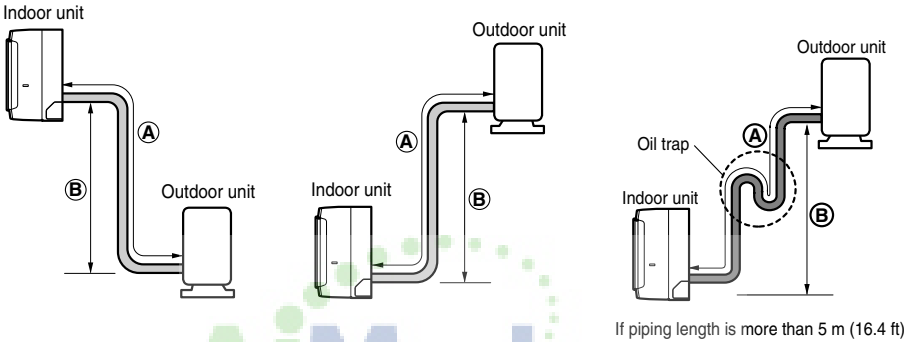
### Outdoor unit

1. If an awning is built over the unit to prevent direct sunlight or rain exposure, make sure that heat radiation from the condenser is not restricted.
2. Ensure that the space around the back and sides is more than 30cm(11.8in). The front of the unit should have more than 70cm(27.6in) of space.
3. Do not place animals and plants in the path of the warm air.
4. Take the weight of the air conditioner into account and select a place where noise and vibration are minimum.
5. Select a place where the warm air and noise from the air conditioner do not disturb neighbors.



## Piping Length and Elevation

Capacity (Btu/h)	Pipe Size		Standard Length m(ft)	Max. Elevation B m(ft)	Max. Length A m(ft)	Additional Refrigerant g/m(oz/ft)
	GAS	LIQUID				
9k, 12k	9.52 (3/8")	6.35(1/4")	7.5 (25)	7 (23)	15 (49)	20 (0.22)
18k	12.7(1/2")	6.35(1/4")	7.5 (25)	7 (23)	15 (49)	20 (0.22)
24k	15.88(5/8")	9.52(3/8")	7.5 (25)	15 (49)	30 (98)	30 (0.33)



### ⚠ CAUTION

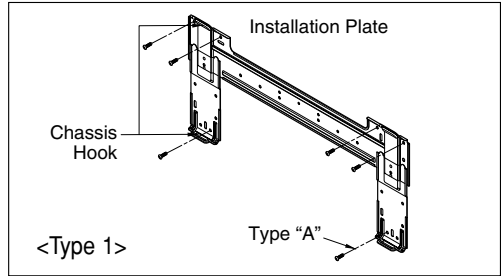
Capacity is based on standard length and maximum allowance length is on the basis of reliability. Oil trap should be installed every 5~7 meters(16.4~23.0ft).



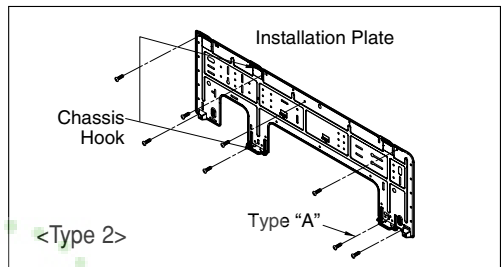
## Fixing Installation Plate

The wall you select should be strong and solid enough to prevent vibration

1. Mount the installation plate on the wall with type "A" screws. If mounting the unit on a concrete wall, use anchor bolts.
- Mount the installation plate horizontally by aligning the centerline using a level.



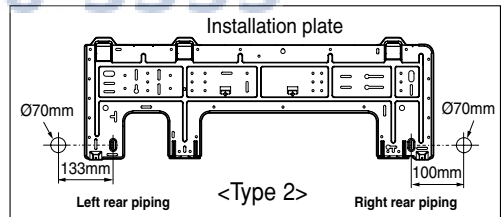
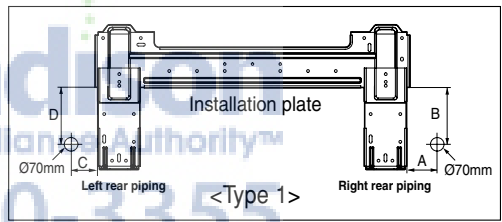
2. Measure the wall and mark the centerline. It is also important to use caution concerning the location of the installation plate—routing of the wiring to power outlets is through the walls typically. Drilling the hole through the wall for piping connections must be done safely.



<Type 1>

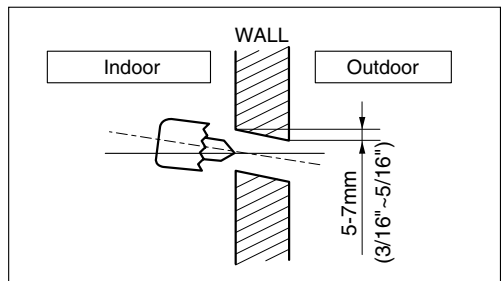
Capacity(Btu/h)	Distance mm(in)			
	A	B	C	D
SE1 (9k, 12k)	70(2.8)	110(4.3)	90(3.5)	110(4.3)
S8 (18k, 24k)	100(3.9)	122(4.8)	240(9.5)	122(4.8)

3. Install after removing one of the indicated cutting phase according to the installation location of the indoor unit's piping.



## Drill a Hole in the Wall

- Drill the piping hole with a  $\varnothing 70\text{mm}$ (2.76in) hole core drill. Drill the piping hole at either the right or the left with the hole slightly slanted to the outdoor side.

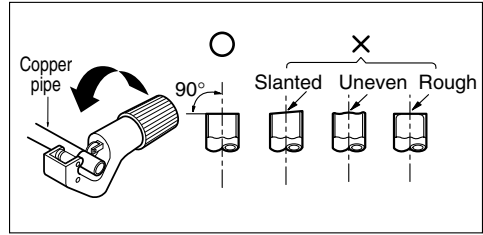


## Flaring Work

Main cause for gas leakage is due to defect in flaring work. Carry out correct flaring work in the following procedure.

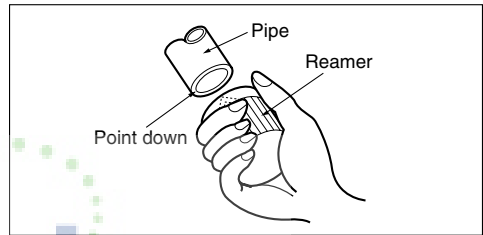
### Cutting Tubes.

1. Use the piping kit accessory or the pipes purchased locally.
2. Measure the distance between the indoor and the outdoor unit.
3. Cut the pipes a little longer than measured distance.
4. Cut the cable 1.5m(59.1in) longer than the pipe length.



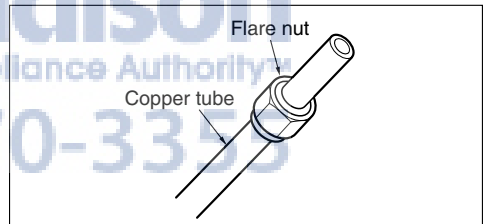
### Burrs removal

1. Completely remove all burrs from the cut cross section of pipe/tube.
2. Put the end of the copper tube/pipe in a downward direction as you remove burrs in order to avoid dropping burrs into the tubing.



### Putting nut on

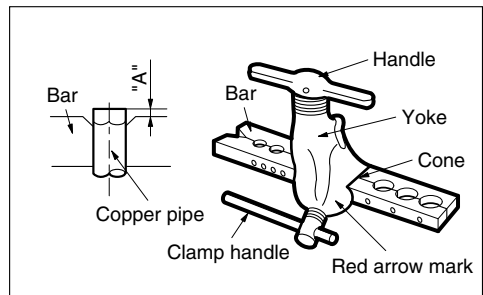
- Remove flare nuts attached to indoor and outdoor unit, then put them on pipe/tube having completed burr removal.  
(not possible to put them on after flaring work)



### Flaring work

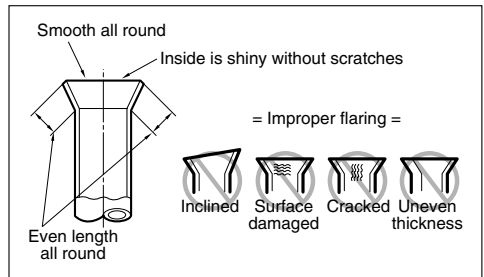
1. Firmly hold copper pipe in a Bar in the dimension shown in the table below.
2. Carry out flaring work with the flaring tool.

Outside diameter		A
mm	inch	mm
Ø6.35	1/4	1.1~1.3
Ø9.52	3/8	1.5~1.7
Ø12.7	1/2	1.6~1.8
Ø15.88	5/8	1.6~1.8
Ø19.05	3/4	1.9~2.1



## Check

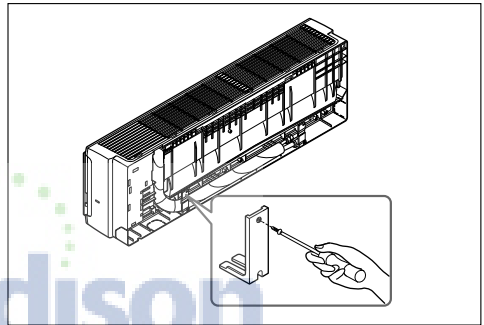
1. Compare the flared work with the figure by.
2. If a flared section is defective, cut it off and do flaring work again.



## Connecting the Piping

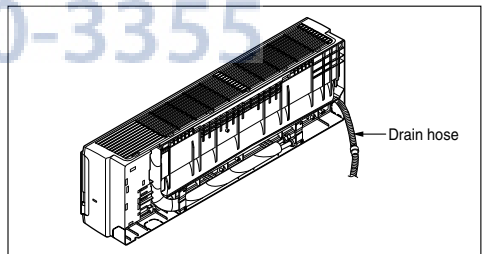
### Indoor

1. Prepare the indoor unit's piping and drain hose for installation through the wall.
2. Remove the plastic tubing retainer (see the illustration by) and pull the tubing and drain hose away from chassis.
3. Replace only the plastic tubing holder 1, not the holder 2 in the original position.



### For right rear piping

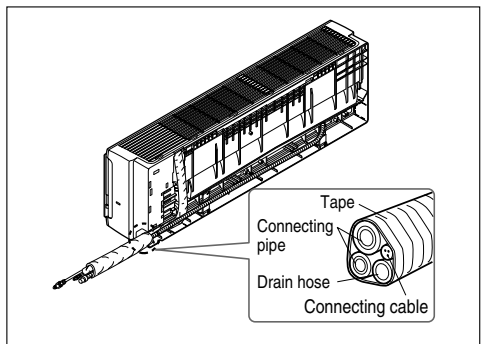
1. Route the indoor tubing and the drain hose in the direction of rear right.
2. Insert the connecting cable into the indoor unit from the outdoor unit through the piping hole.
  - Do not connect the cable to the indoor unit.
  - Make a small loop with the cable for easy connection later.
3. Tape the tubing, drain hose, and the connecting cable. Be sure that the drain hose is located at the lowest side of the bundle. Locating at the upper side can cause drain pan to overflow inside the unit.



## ⚠ CAUTION

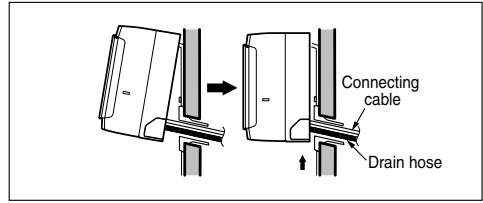
If the drain hose is routed inside the room, insulate the hose with an insulation material\* so that dripping from "sweating"(condensation) will not damage furniture or floors.

\*Foamed polyethylene or equivalent is recommended.



4. Indoor unit installation

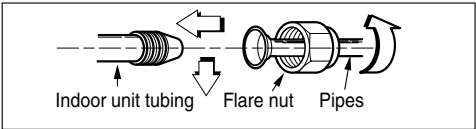
Hook the indoor unit onto the upper portion of the installation plate.(Engage the two hooks of the rear top of the indoor unit with the upper edge of the installation plate.) Ensure that the hooks are properly seated on the installation plate by moving it left and right.



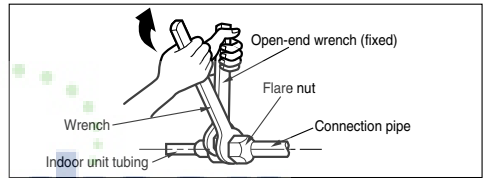
Press the lower left and right sides of the unit against the installation plate until the hooks engage into their slots(clicking sound).

**Connecting the piping to the indoor unit and drain hose to drain pipe.**

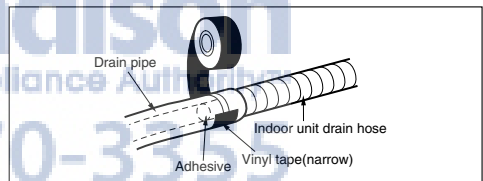
1. Align the center of the pipes and sufficiently tighten the flare nut by hand.
2. Tighten the flare nut with a wrench.



Outside diameter		Torque	
mm	inch	kgf·m	lbf·ft
Ø6.35	1/4	1.8~2.5	13~18
Ø9.52	3/8	3.4~4.2	24.6~30.4
Ø12.7	1/2	5.5~6.6	39.8~47.7
Ø15.88	5/8	6.3~8.2	45.6~59.3

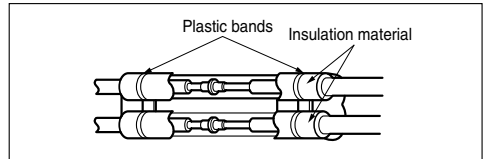


3. When extending the drain hose at the indoor unit, install the drain pipe.

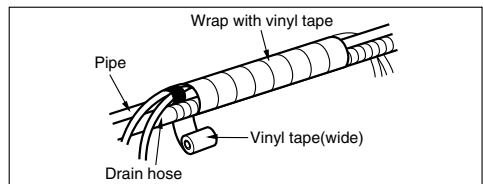
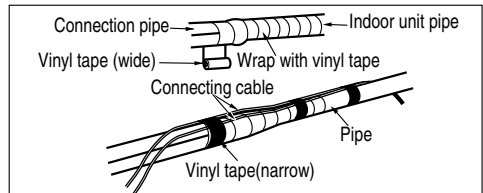


**Wrap the insulation material around the connecting portion.**

1. Overlap the connection pipe insulation material and the indoor unit pipe insulation material. Bind them together with vinyl tape so that there may be no gap.
2. Wrap the area which accommodates the rear piping housing section with vinyl tape.

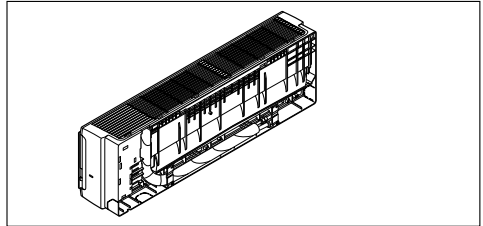
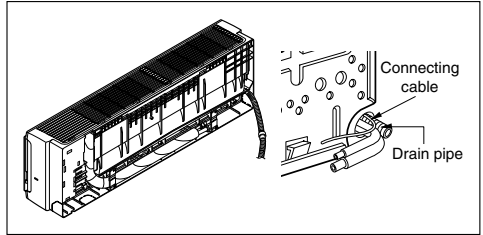


3. Bundle the piping and drain hose together by wrapping them with vinyl tape for enough to cover where they fit into the rear piping housing section.

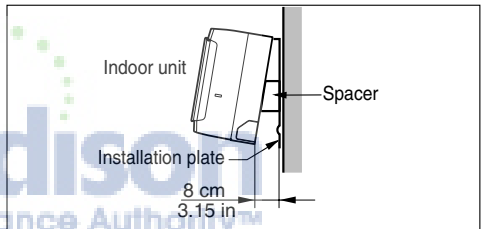


**For left rear piping**

1. Route the indoor tubing and the drain hose to the required piping hole position.
2. Insert the piping, drain hose, and the connecting cable into the piping hole.
3. Insert the connecting cable into the indoor unit.
  - Don't connect the cable to the indoor unit.
  - Make a small loop with the cable for easy connection later.
4. Tape the drain hose and the connecting cables.

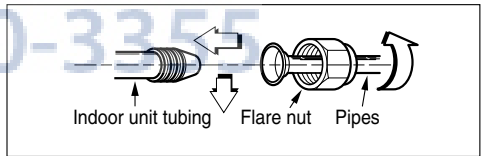


5. Indoor unit installation
  - Hang the indoor unit from the hooks at the top of the installation plate.
  - Insert the spacer etc. between the indoor unit and the installation plate and separate the bottom of the indoor unit from the wall.

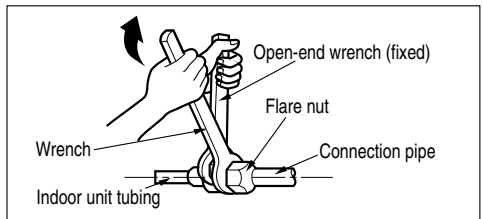


**Connecting the piping to the indoor unit and the drain hose to drain pipe.**

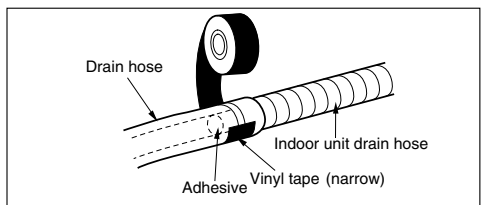
1. Align the center of the pipes and sufficiently tighten the flare nut by hand.
2. Tighten the flare nut with a wrench.



Outside diameter		Torque	
mm	inch	kgf-m	lbft
Ø6.35	1/4	1.8~2.5	13~18
Ø9.52	3/8	3.4~4.2	24.6~30.4
Ø12.7	1/2	5.5~6.6	39.8~47.7
Ø15.88	5/8	6.3~8.2	45.6~59.3

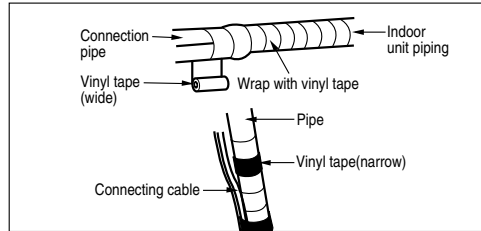
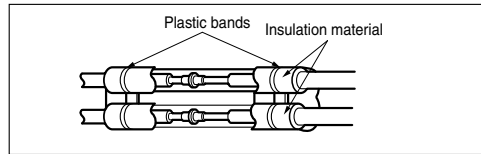


3. When extending the drain hose at the indoor unit, install the drain pipe.

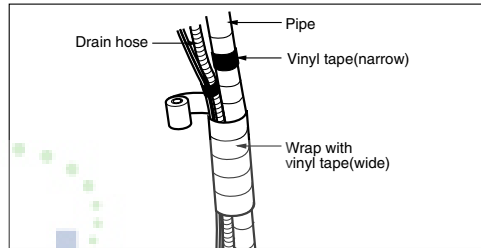


### Wrap the insulation material around the connecting portion.

1. Overlap the connection pipe heat insulation and the indoor unit pipe heat insulation material. Bind them together with vinyl tape so that there may be no gap.
2. Wrap the area which accommodates the rear piping housing section with vinyl tape.

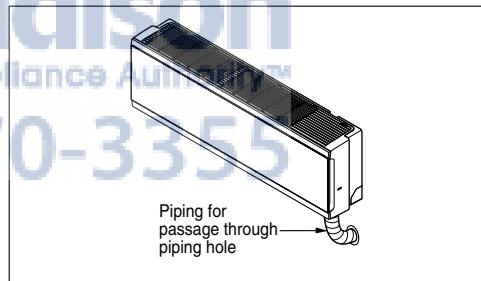


3. Bundle the piping and drain hose together by wrapping them with cloth tape over the range within which they fit into the rear piping housing section.



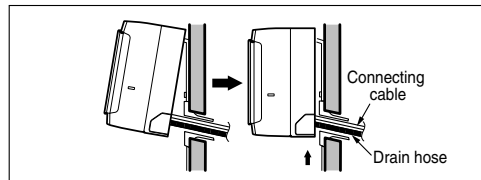
### Reroute the pipings and the drain hose across the back of the chassis.


  
 Your Appliance Authority
   
 800-570-3355



### Indoor unit installation

1. Remove the spacer.
2. Ensure that the hooks are properly seated on the installation plate by moving it left and right.
3. Press the lower left and right sides of the unit against the installation plate until the hooks engage into their slots (clicking sound).

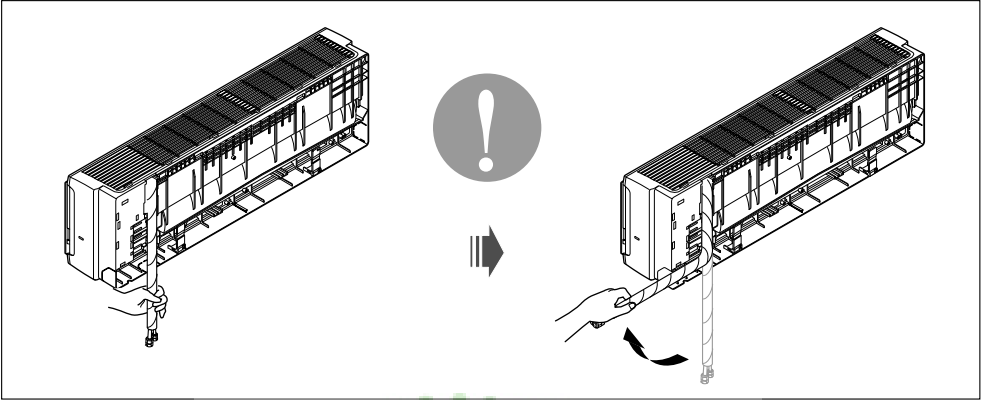


## ⚠ CAUTION

Installation Information. For left piping. Follow the instruction below.

### Good case

- Press on the upper side of clamp and unfold the tubing to downward slowly.



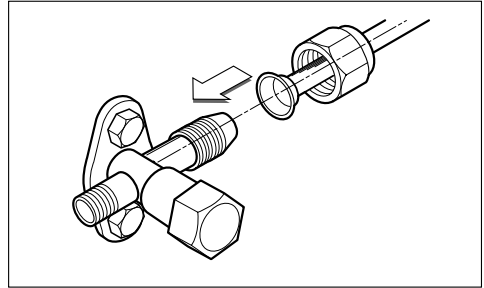
### Bad case

- Following bending type from right to left may cause damage to the tubing.



## Outdoor

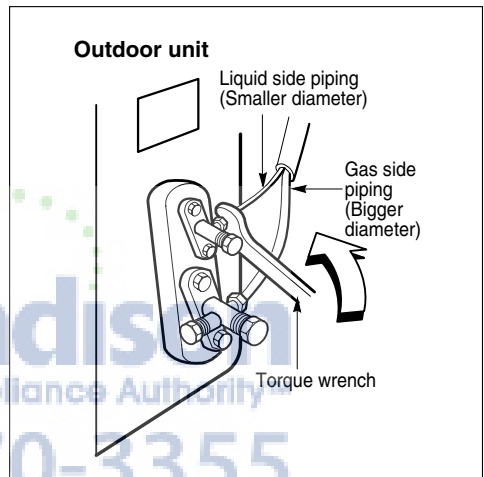
Align the center of the pipings and sufficiently tighten the flare nut by hand.



Finally, tighten the flare nut with torque wrench until the wrench clicks.

- When tightening the flare nut with torque wrench, ensure the direction for tightening follows the arrow on the wrench.

Outside diameter		Torque	
mm	inch	kgf-m	lbf-ft
Ø6.35	1/4	1.8~2.5	13~18
Ø9.52	3/8	3.4~4.2	24.6~30.4
Ø12.7	1/2	5.5~6.6	39.8~47.7
Ø15.88	5/8	6.3~8.2	45.6~59.3
Ø19.05	3/4	9.9~12.1	71.6~87.5



## Connecting the Cables

### Indoor

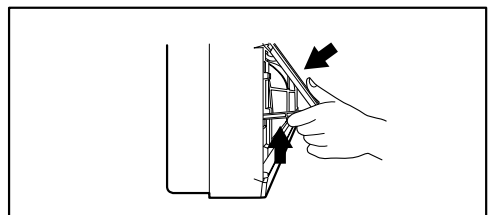
Connect the cable to the indoor unit by connecting the wires to the terminals on the control board individually according to the outdoor unit connection. (Ensure that the color of the wires of the outdoor unit and the terminal No. are the same as those of the indoor unit.)

## ⚠ CAUTION

### How to use the front panel

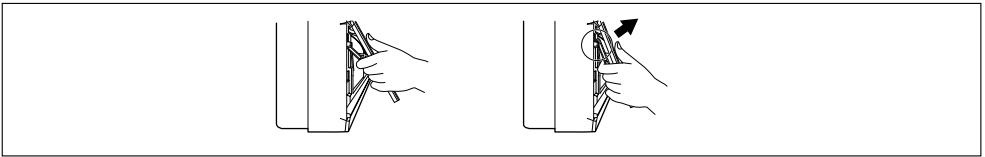
#### 1. Front panel closing

Move the link upward and close the front panel.



## 2. Front panel removing

Raise the link up to hook hanger and remove front panel forward.



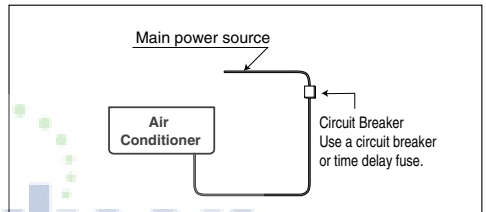
### ⚠ CAUTION

- The circuit diagram is not subject to change without notice.
- Be sure to connect wires according to the wiring diagram.
- The earth wire should be longer than the common wires.
- When installing, refer to the electrical diagram behind the front panel of Indoor Unit.
- The wiring for the outdoor unit can be found on the inside of the Outdoor Unit control cover.
- Connect the wires firmly, so that not to be pulled out easily.
- Connect the wires according to color codes by referring to the wiring diagram.

### ⚠ CAUTION

Provide a circuit breaker between power source and the outdoor unit as shown below.

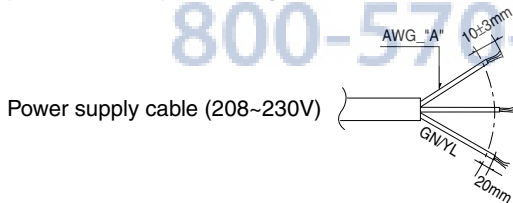
Circuit Breaker (A)	Grade(Btu/h)		
	9k~12k	18k	24k
15	20	25	



### ⚠ CAUTION

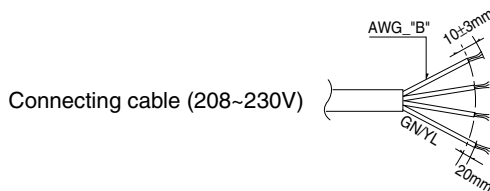
The power cord connected to the outdoor unit should be complied with the following specifications (ETL recognized and CSA certified).

Aj Madison  
800-576-3355



Power	Grade(Btu/h)	
	9/12/18k	24k
"A"	14	12

The power connecting cable connected to the indoor and outdoor unit should be complied with the following specifications (ETL recognized and CSA certified).



Power	Grade(Btu/h)	
	9/12/18k/24k	
"B"	18	

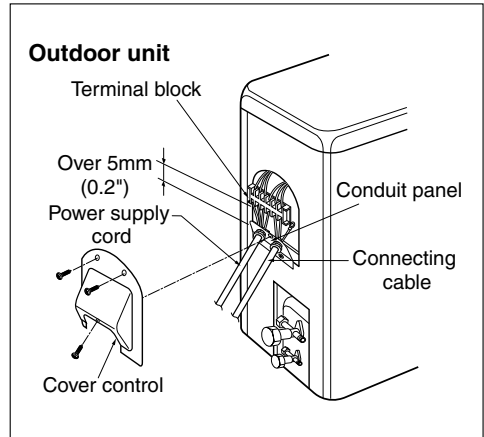
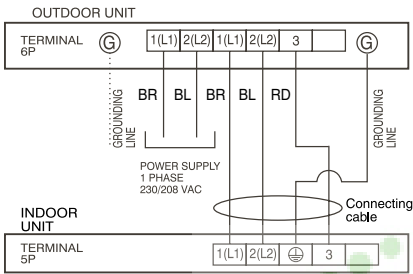
### ⚠ CAUTION

When using the separate wire as the power cord, please fix the separate wire into the control box panel by using tie wrap as the fixture.

## Outdoor

1. Remove the cover control from the unit by loosening the screw.  
Connect the wires to the terminals on the control board individually as the following.
2. Secure the cable onto the control board with the holder (clammer).
3. Refix the cover control to the original position with the screw.

### Wiring Diagram



## NOTICE

1. Separately wire power supply cord and connecting cable.
2. Use heat-proof electrical wiring capable of withstanding temperature up to 75°C(167°F).
3. Use outdoor and waterproof connection cable rated more than 300V for the connection between indoor and outdoor unit. (For example, Type SJO-WA)

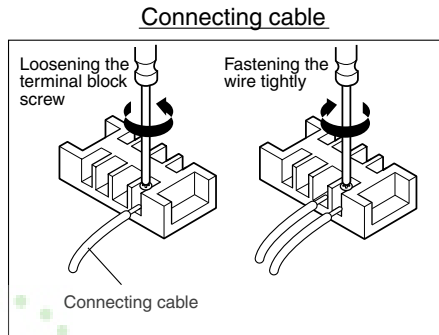
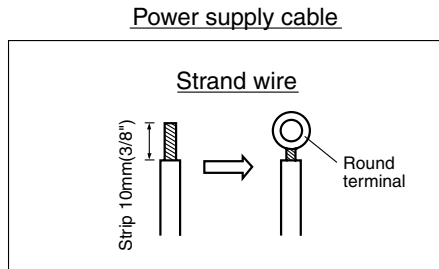
## ⚠ WARNING

- Be sure to comply with local codes while running the wire from the indoor unit to the outdoor unit(size of wire and wiring method, etc).
- Every wire must be connected firmly.
- No wire should be allowed to touch refrigerant tubing, the compressor or any moving parts.

## How to connect wiring to the terminals

For strand wiring

- (1) Cut the wire end with a wire cutter or wire-cutting pliers, then strip the insulation to expose the strand wiring about 10mm(3/8").
- (2) Using a screwdriver, remove the terminal screw(s) on the terminal plate.
- (3) Using a round terminal fastener or pliers, securely clamp each stripped wire end with a round terminal.
- (4) Position the round terminal wire, and replace and tighten the terminal screw using a screwdriver.



### ▲ CAUTION

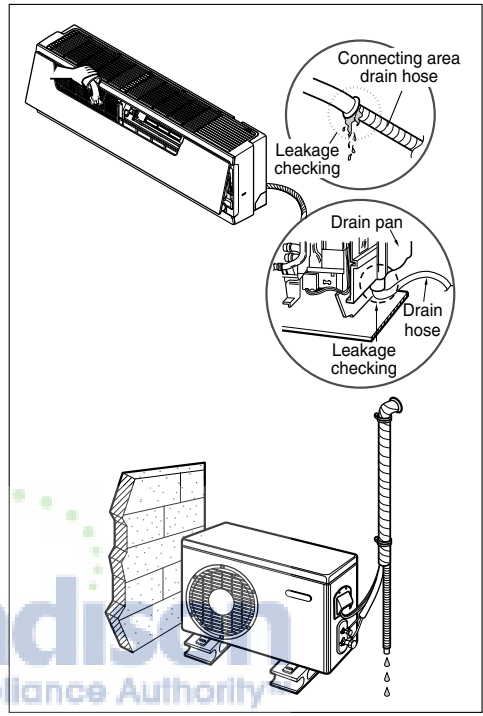
According to the confirmation of the above conditions, prepare the wiring as follows.

1. Never fail to have an individual power circuit specifically for the air conditioner. As for the method of wiring, be guided by the circuit diagram posted on the inside of control cover.
2. The screw which fasten the wiring in the casing of electrical fittings are liable to come loose from vibrations to which the unit is subjected during the course of transportation. Check them and make sure that they are all tightly fastened. (If they are loose, it could cause burn-out of the wires.)
3. Specification of power source.
4. Confirm that electrical capacity is sufficient.
5. See to that the starting voltage is maintained at more than 90 percent of the rated voltage marked on the name plate.
6. Confirm that the cable thickness is as specified in the power source specification. (Particularly note the relation between cable length and thickness.)
7. Always install an earth leakage circuit breaker in a wet or moist area.
8. The following would be caused by voltage drop.
  - Vibration of a magnetic switch, which will damage the contact point, fuse breaking, disturbance of the normal function of the overload.
9. The means for disconnection from a power supply shall be incorporated in the fixed wiring and have an air gap contact separation of at least 3mm(0.12") in each active(phase) conductors.

**Checking the Drainage**

**To check the drainage.**

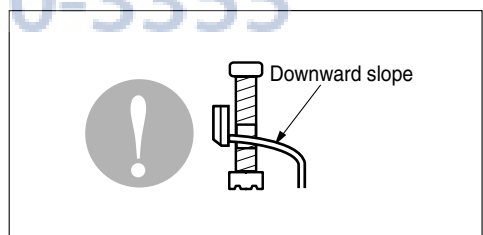
1. Pour a glass of water on the evaporator.
2. Ensure the water flows through the drain hose of the indoor unit without any leakage and goes out the drain exit.



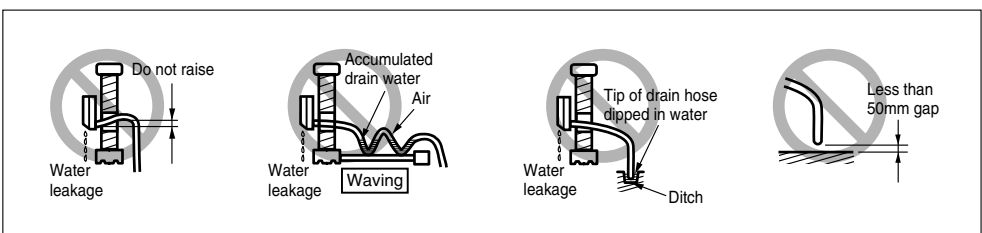
AjMadison  
Your Appliance Authority  
800-570-3355

**Drain piping**

1. The drain hose should point downward for easy drain flow.



2. Do not make drain piping like the following.



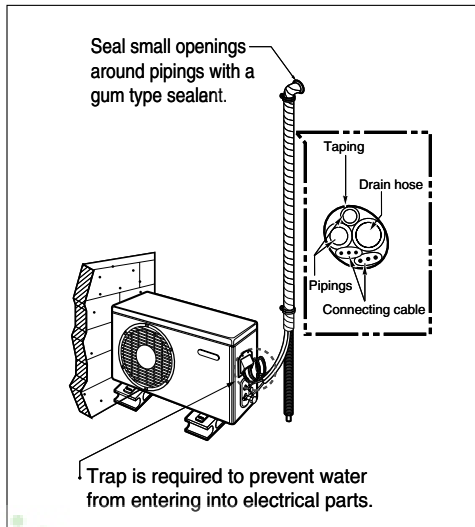
## Forming the Piping

**Form the piping by wrapping the connecting portion of the indoor unit with insulation material and secure it with two kinds of vinyl tapes.**

- If you want to connect an additional drain hose, the end of the drain outlet should be routed above the ground. Secure the drain hose appropriately.

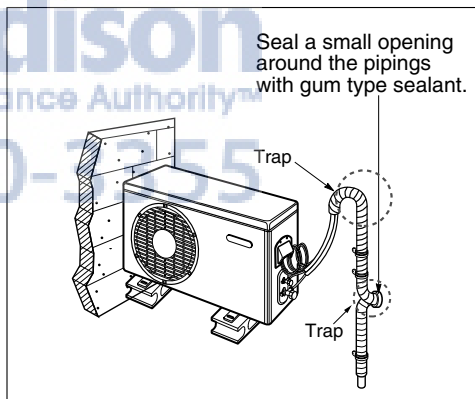
**In cases where the outdoor unit is installed below the indoor unit perform the following.**

1. Tape the piping, drain hose and connecting cable from down to up.
2. Secure the tapped piping along the exterior wall using saddle or equivalent.



**In cases where the Outdoor unit is installed above the Indoor unit perform the following.**

1. Tape the piping and connecting cable from down to up.
2. Secure the taped piping along the exterior wall. Form a trap to prevent water entering the room.
3. Fix the piping onto the wall by saddle or equivalent.



## Air Purging

### Air purging

The air and moisture remaining in the refrigerant system have undesirable effects as indicated below.

1. Pressure in the system rises.
2. Operating current rises.
3. Cooling(or heating) efficiency drops.
4. Moisture in the refrigerant circuit may freeze and block capillary tubing.
5. Water may lead to corrosion of parts in the refrigeration system.

Therefore, after evacuating the system, take a leak test for the piping and tubing between the indoor and outdoor unit.

### Air purging with vacuum pump

#### 1. Preparation

- Check that each tube(both liquid and gas side tubes) between the indoor and outdoor units have been properly connected and all wiring for the test run has been completed. Remove the service valve caps from both the gas and the liquid side on the outdoor unit. Note that both the liquid and the gas side service valves on the outdoor unit are kept closed at this stage.

#### 2. Leak test

- Connect the manifold valve(with pressure gauges) and dry nitrogen gas cylinder to this service port with charge hoses.

### ▲ CAUTION

Be sure to use a manifold valve for air purging. If it is not available, use a stop valve for this purpose. The "Hi" knob of the manifold valve must always be kept close.

- Pressurize the system to no more than 150 P.S.I.G. with dry nitrogen gas and close the cylinder valve when the gauge reading reached 150 P.S.I.G. Next, test for leaks with liquid soap.

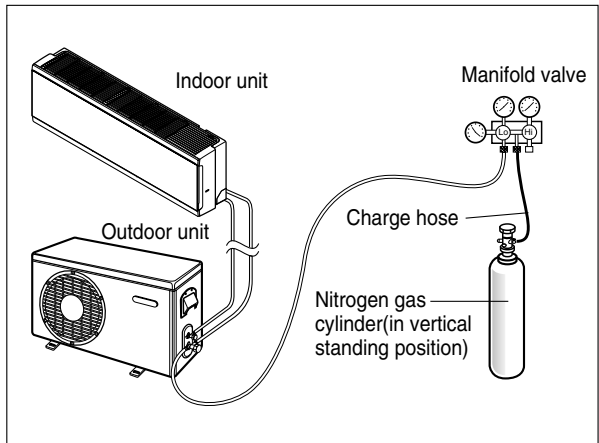
### ▲ CAUTION

To avoid nitrogen entering the refrigerant system in a liquid state, the top of the cylinder must be higher than its bottom when you pressurize the system. Usually, the cylinder is used in a vertical standing position.

1. Do a leak test of all joints of the tubing(both indoor and outdoor) and both gas and liquid side service valves.

Bubbles indicate a leak. Be sure to wipe off the soap with a clean cloth.

2. After the system is found to be free of leaks, relieve the nitrogen pressure by loosening the charge hose connector at the nitrogen cylinder. When the system pressure is reduced to normal, disconnect the hose from the cylinder.



### Soap water method

1. Remove the caps from the 2-way and 3-way valves.
2. Remove the service-port cap from the 3-way valve.
3. To open the 2-way valve turn the valve stem counterclockwise approximately 90°, wait for about 2~3 sec, and close it.
4. Apply a soap water or a liquid neutral detergent on the indoor unit connection or outdoor unit connections by a soft brush to check for leakage of the connecting points of the piping.
5. If bubbles come out, the pipes have leakage

### Evacuation

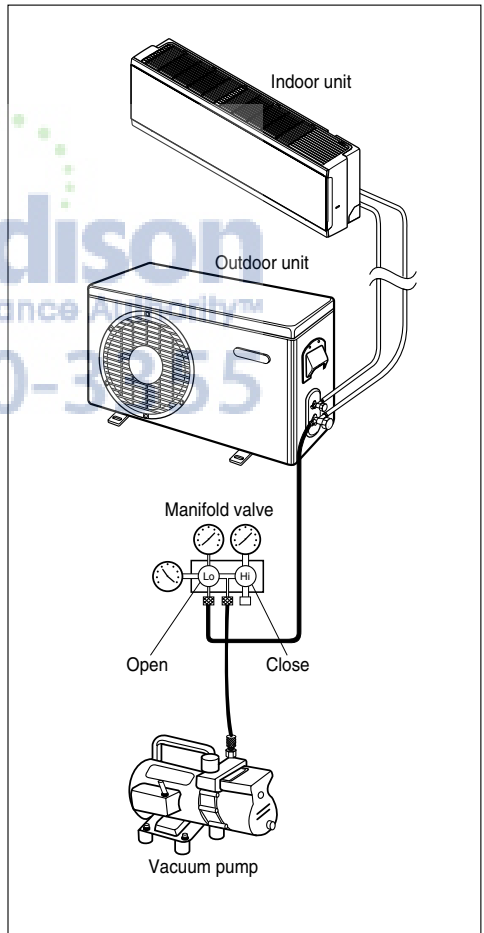
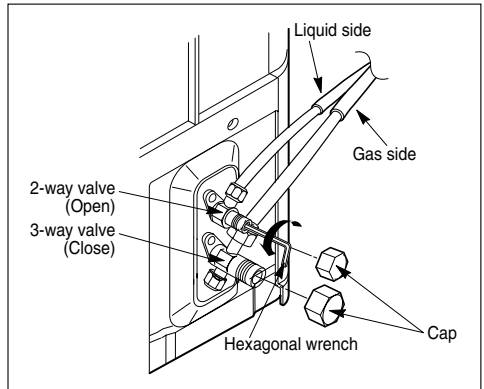
1. Connect the charge hose end described in the preceding steps to the vacuum pump to evacuate the tubing and indoor unit. Confirm the "Lo" and "Hi" knob of the manifold valve is open. Then, run the vacuum pump. The operation time for evacuation varies with tubing length and capacity of the pump. The following table shows the time required for evacuation.

Required time for evacuation when 30 gal/h vacuum pump is used	
If tubing length is less than 10m (33 ft)	If tubing length is longer than 10m (33 ft)
10 min. or more	15 min. or more

2. When the desired vacuum is reached, close the "Lo" and "Hi" knob of the manifold valve and stop the vacuum pump.

### Finishing the job

1. With a service valve wrench, turn the valve stem of liquid side valve counter-clockwise to fully open the valve.
2. Turn the valve stem of gas side valve counter-clockwise to fully open the valve.
3. Loosen the charge hose connected to the gas side service port slightly to release the pressure, then remove the hose.
4. Replace the flare nut and its bonnet on the gas side service port and fasten the flare nut securely with an adjustable wrench. This process is very important to prevent leakage from the system.
5. Replace the valve caps at both gas and liquid side service valves and fasten them tight. This completes air purging with a vacuum pump. The air conditioner is now ready to test run.

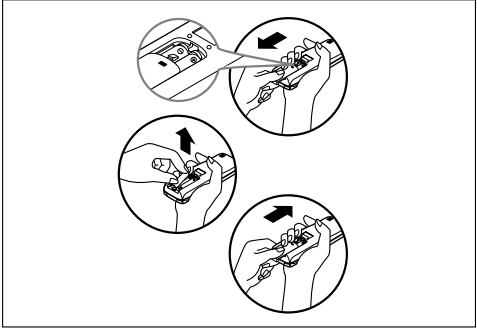


## Test Running

1. Check that all tubing and wiring are properly connected.
2. Check that the gas and liquid side service valves are fully open.

### Prepare remote controller

1. Remove the battery cover by pulling it according to the arrow direction.
2. Insert new batteries making sure that the (+) and (-) of battery are installed correctly.
3. Reattach the cover by pushing it back into position.

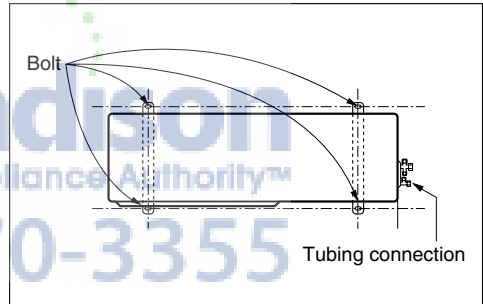


### NOTICE

- Use 2 AAA(1.5volt) batteries. Do not use rechargeable batteries.
- Remove the batteries from the remote controller if the system is not used for a long time.

### Settlement of outdoor unit

1. Anchor the outdoor unit with a bolt and nut[ $\phi 10\text{mm}(0.39\text{in})$ ] tightly and horizontally on a concrete or rigid mount.
2. When installing on the wall, roof or rooftop, anchor the mounting base securely with a nail or wire assuming the influence of wind and earthquake.
3. If the vibration of the unit is transmitted to the hose, secure the unit with an anti-vibration rubber.

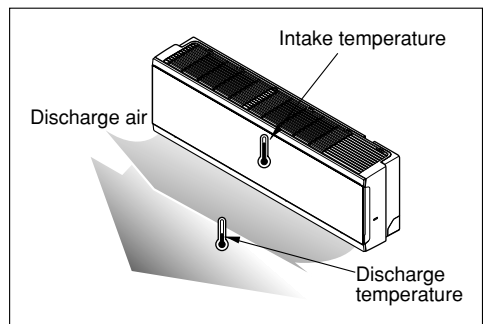


### Evaluation of the performance

Operate the unit for 15~20 minutes, then check the system refrigerant charge:

1. Measure the pressure of the gas side service valve.
2. Measure the temperature of the intake and discharge of air.
3. Ensure the difference between the intake temperature and the discharge is more than  $8^{\circ}\text{C}$
4. For reference; the gas side pressure of optimum condition is as below.(Cooling)

The air conditioner is now ready for use.



Refrigerant	Outside ambient TEMP.	The pressure of the gas side service valve.
R410A	$35^{\circ}\text{C}$ ( $95^{\circ}\text{F}$ )	$8.5\sim 9.5\text{kg}/\text{cm}^2\text{G}$ ( $120\sim 135\text{ P.S.I.G.}$ )

## **NOTICE**

If the actual pressure is higher than shown, the system is most likely over-charged, and charge should be removed. If the actual pressure are lower than shown, the system is most likely undercharged, and charge should be added.

## **PUMP DOWN**

**This is performed when the unit is relocated or the refrigerant circuit is serviced.**

Pump Down means collecting all refrigerant into the outdoor unit without the loss of refrigerant.

## **⚠ CAUTION**

**Be sure to perform Pump Down procedure in the cooling mode.**

### **Pump Down Procedure**

1. Connect a low-pressure gauge manifold hose to the charge port on the gas side service valve.
2. Open the gas side service valve halfway and purge the air in the manifold hose using the refrigerant.
3. Close the liquid side service valve(all the way).
4. Turn on the unit's operating switch and start the cooling operation.
5. When the low-pressure gauge reading becomes 1 to 0.5kg/cm<sup>2</sup> G(14.2 to 7.1 P.S.I.G.), fully close the gas side valve and then quickly turn off the unit. Now Pump Down procedure is completed, and all refrigerant is collected into the outdoor unit.

**800-570-3355**

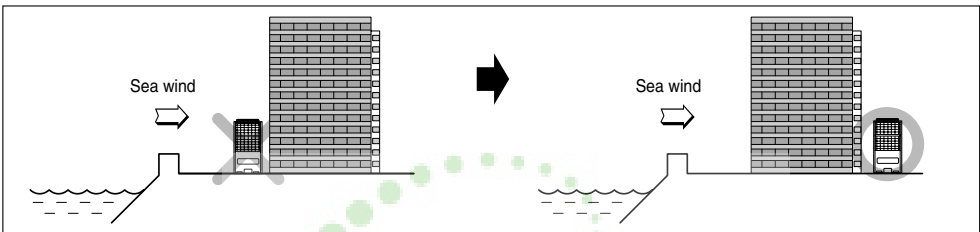
## Installation guide at the seaside

### ⚠ CAUTION

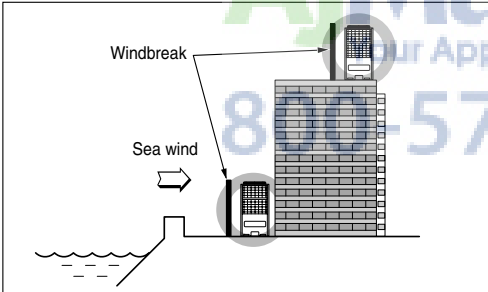
1. Air conditioners should not be installed in areas where corrosive gases, such as acid or alkaline gas, are produced.
2. Do not install the product where it could be exposed to sea wind (salty wind) directly. It can result corrosion on the product. Corrosion, particularly on the condenser and evaporator fins, could cause product malfunction or inefficient performance.
3. If outdoor unit is installed close to the seaside, it should avoid direct exposure to the sea wind. Otherwise it needs additional anticorrosion treatment on the heat exchanger.

### Selecting the location(Outdoor Unit)

- 1) If the outdoor unit is to be installed close to the seaside, direct exposure to the sea wind should be avoided. Install the outdoor unit on the opposite side of the sea wind direction.



- 2) In case, to install the outdoor unit on the seaside, set up a windbreak not to be exposed to the sea wind.



- It should be strong enough like concrete to prevent the sea wind from the sea.
- The height and width should be more than 150% of the outdoor unit.
- It should be keep more than 70 cm of space between outdoor unit and the windbreak for easy air flow.

- 3) Select a well-drained place.

1. If you can't meet above guide line in the seaside installation, please contact LG Electronics for the additional anticorrosion treatment.
2. Periodic ( more than once/year ) cleaning of the dust or salt particles stuck on the heat exchanger by using water



# LG

## Climatiseur

### **MANUEL D'INSTALLATION**

FRANÇAIS



#### **IMPORTANT**

- Veuillez lire au complet ce manuel d'instructions avant d'installer le produit.
- Si le cordon d'alimentation est endommagé, son remplacement ne doit être accompli que par du personnel autorisé.
- Conformément aux standards nationaux sur le câblage, l'installation ne doit être effectuée que par du personnel autorisé.
- Après l'avoir lu au complet, veuillez conserver ce manuel d'installation pour référence ultérieure.

# TABLE DES MATIÈRES

<b>Conditions d'installation</b>	<b>Pièces détachées nécessaires</b>	<b>Outils nécessaires</b>
<b>Mesures de sécurité</b> .....4	<input type="checkbox"/> Quatre vis type "A" et chevilles plastiques	<input type="checkbox"/> Indicateur de niveau
<b>Introduction</b> .....7	<input type="checkbox"/> Câble de connexion	<input type="checkbox"/> Tournevis
Symboles utilisés dans ce manuel.....7	<input type="checkbox"/> Carte guide d'installation	<input type="checkbox"/> Perceuse électrique
Caractéristiques .....7		<input type="checkbox"/> Mèche (ø70mm)
<b>Installation</b> .....8	<input type="checkbox"/> Tuyau: À Gaz	<input type="checkbox"/> Dispositif de nivellement
Pièces d'installation.....8	À Liquide	<input type="checkbox"/> Ensemble d'outils d'évasement
Outils d'installation .....8	<input type="checkbox"/> Matériaux isolants	<input type="checkbox"/> Clés de serrage dynamométriques spécifiées 1.8kg.m, 4.2kg.m, 5.5kg.m, 6.6kg.m (différentes selon le numéro du modèle)
Carte d'installation .....9	<input type="checkbox"/> Tuyau de drainage additionnel (Diamètre externe.....15.5mm)	<input type="checkbox"/> Clé .....Demi-raccord
Choix du meilleur emplacement.....10	<input type="checkbox"/> Deux vis type "B"	<input type="checkbox"/> Un verre d'eau
Élévation et longueur de la tuyauterie .....11		<input type="checkbox"/> Tournevis
Fixation de la plaque d'installation.....12		<input type="checkbox"/> Clé à six pans (4mm)
Perçage d'un orifice dans le mur .....12		<input type="checkbox"/> Détecteur de fuite de gaz
Travail d'évasement.....13		<input type="checkbox"/> Pompe à vide
Raccordement de la tuyauterie .....14		<input type="checkbox"/> Indicateur du manifold
Connexion des câbles .....20		<input type="checkbox"/> Manuel de l'utilisateur
Vérification du drainage .....23		<input type="checkbox"/> Thermomètre
Montage de la tuyauterie .....24		<input type="checkbox"/> Support de la télécommande
Épuration de l'air .....25		
Test de fonctionnement .....27		
Guide d'installation en bord de mer .....29		



# Système Mini-Split rattaché au mur Zone unique

## INSTRUCTIONS D'INSTALLATION

### IMPORTANT!

#### Veillez lire ces instructions au complet avant d'installer ce produit.

Ce système de climatisation réunit strictement les standards de sécurité et de fonctionnement. En tant qu'installateur ou technicien spécialisé, une partie importante de votre travail consiste à installer et à réaliser le service technique de ce système d'une manière telle qu'il fonctionne de façon sûre et efficace.



### PRÉCAUTION

- Une installation ou une réparation réalisées par des personnes non qualifiées peut provoquer des accidents.
- L'installation DOIT être réalisée conformément aux codes de construction locaux ou, en absence de ces codes, conformément au Code électrique national NFPA 70/ANSI C1-1993 ou l'édition en vigueur, et conformément au Code électrique canadien Partie 1 CSA C.22.1.
- L'information contenue dans ce manuel a été conçue pour être utilisée par un technicien qualifié, informé des procédures de sécurité et équipé avec les outils et les instruments d'essai appropriés.
- Si les instructions de ce manuel ne sont pas lues avec soin et respectées, cela peut provoquer un mauvais fonctionnement de l'appareil, un dommage du bien, des blessures personnelles, voire la mort.

**ATTENTION:** Un défaut d'installation, du service technique ou dans l'entretien, et une réparation ou une modification inappropriées peuvent annuler la garantie.  
Le poids de l'unité de condensation exige des précautions et des procédures de manipulation appropriées au moment de déposer ou déplacer l'unité afin d'éviter des blessures personnelles. Veillez à éviter également le contact avec les bords pointus ou aiguisés.

### Mesures de sécurité

- Utilisez toujours des protections de sécurité pour les yeux et des gants de travail lors de l'installation de l'appareil.
- Assurez-vous toujours que l'alimentation soit coupée. Vérifiez-le à l'aide des dispositifs et des instruments appropriés.
- Gardez les mains loin du ventilateur lorsque l'appareil est branché.
- Le R-410A provoque des gelures.
- Le R-410A est toxique lorsqu'il est brûlé.

### REMARQUE POUR L'INSTALLATEUR :

Les Instructions pour le propriétaire et la Garantie sont remises au propriétaire ou affichées clairement près de l'unité intérieure de contrôle d'air/chauffage.



### Précautions spéciales

#### Lors du câblage :

**Un choc électrique peut provoquer des blessures personnelles graves, voire la mort. Seulement un électricien qualifié et expérimenté doit réaliser le câblage du système.**

- Ne mettez pas l'unité sous tension jusqu'à ce que tout le câblage et le drainage soient complétés ou rebranchés et vérifiés.
- Des voltages électriques très dangereux sont utilisés dans ce système. Lisez avec soin le diagramme de câblage et ces instructions lors du câblage. Des connexions inappropriées et une mise à la terre incorrecte peuvent provoquer des blessures, voire la mort.
- Mettez l'unité à la terre suivant les codes électriques locaux.
- Serrez bien les câbles. Un câble mal serré peut provoquer la surchauffe des points de connexion et constitue un risque d'incendie.

#### Lors du transport :

Levez et transportez avec soin les unités intérieure et extérieure.  
Cherchez de l'aide pour le faire et fléchissez vos genoux pour le déposer afin d'éviter l'effort de votre dos. Les bords aiguisés ou les rebords tranchants d'aluminium du climatiseur peuvent vous couper les doigts.

#### Lors de l'installation...

- ...dans un mur : assurez-vous que le mur soit assez fort pour supporter le poids de l'unité.  
Il peut être nécessaire de construire un cadre en bois ou en métal afin d'assurer un support supplémentaire.
- ...dans une pièce : isolez de façon appropriée toute la tuyauterie de drainage dans la pièce pour éviter la « transpiration », qui peut provoquer des égouttements et des problèmes d'humidité dans les murs et les planchers.
- ...dans des endroits humides ou non nivelés : Utilisez une base de béton ou des blocs de béton pour donner une base solide et nivelée à l'unité extérieure.  
Cela prévient les problèmes d'humidité et les vibrations anormales.
- ...dans un secteur avec des vents très forts : Ancrez l'unité extérieure solidement à l'aide de boulons et d'un cadre métallique. Assurez un flux d'air approprié.
- ...dans un secteur où il neige beaucoup (seulement pour le modèle Pompe à chaleur) : Installez l'unité extérieure sur une plateforme élevée, qui se trouve au-dessus du niveau de la neige tombée. Installez des conduits d'échappement de neige.

#### Lors de la connexion de la tuyauterie de réfrigération

- Gardez tous les drainages les plus courts possible.
- Utilisez la méthode d'évasement pour raccorder les tuyaux.
- Vérifiez soigneusement s'il y a des pertes avant de commencer le drainage d'essai.

#### Lors de la réparation

- Coupez l'alimentation principale (dans le tableau d'alimentation principale) avant d'ouvrir l'unité pour vérifier ou réparer les pièces et les câbles électriques.
- Eloignez vos doigts et vos vêtements de toutes les pièces mobiles.
- Nettoyez le secteur après avoir fini. Assurez-vous qu'il n'y ait pas de tournure de fer ni de morceaux de câbles à l'intérieur de l'unité réparée.

# Mesures de sécurité

Les instructions ci-après doivent être observées dans le but de prévenir tout risque de dommages corporels ou matériels.

- Veillez à lire ce manuel avant d'installer le climatiseur.
- Veillez à observer les précautions spécifiées dans ce manuel, puisqu'elles incluent d'items importants concernant la sécurité.
- L'utilisation non conforme, résultant de la négligence des instructions, est susceptible de provoquer des dommages corporels ou matériels dont la gravité est signalée par les indications suivantes :

**⚠ AVERTISSEMENT** Ce symbole indique un risque de blessure grave, voire mortelle.

**⚠ ATTENTION** Ce symbole indique un risque de blessure ou des dommages matériels seulement.

- Les significations des symboles utilisés dans ce manuel sont indiquées ci-dessous.



**Veillez à ne pas faire cela.**



**Veillez à suivre les instructions de ce manuel.**

**⚠ AVERTISSEMENT**

## ■ Installation

**Mettez toujours à terre le produit.**

**N'utilisez pas un cordon d'alimentation, une fiche d'alimentation ou une prise de courant endommagés.**

**Pour l'installation du produit, contactez toujours le centre après-vente ou un service d'installation professionnel.**

- Autrement, vous risquez de provoquer un choc électrique.
- Autrement, vous risquez de causer un incendie ou un choc électrique.
- Autrement, vous risquez de provoquer un incendie, un choc électrique, une explosion ou des blessures.

**Fixez correctement le couvercle de protection des pièces électriques à l'unité intérieure et le panneau de service à l'unité extérieure.**

**Installez toujours un interrupteur pour fuites d'air et un tableau électrique spécialisé.**

**Ne rangez ni n'utilisez de gaz inflammable ni de combustibles près du climatiseur.**

- Si le couvercle de protection des pièces électriques de l'unité intérieure et le panneau de service de l'unité extérieure ne sont pas bien fixés, cela peut provoquer un incendie ou un choc électrique dus à la poussière, à l'eau, etc.
- Ne pas le faire peut provoquer un incendie ou un choc électrique.
- Autrement, vous risquez de provoquer un incendie ou le mauvais fonctionnement de l'appareil.

**Assurez-vous que le cadre d'installation de l'unité extérieure ne soit pas endommagé à cause d'une utilisation prolongée.**

- Cela peut provoquer des blessures ou un accident.

**Ne démontez ni ne réparez le produit en n'importe quel point.**

- Cela peut provoquer un incendie ou un choc électrique.

**N'installez pas le produit dans un endroit d'où il puisse tomber.**

- Autrement, vous risquez de blesser quelqu'un.

**Soyez prudent pendant le déballage et l'installation.**

- Les bords aiguisés peuvent provoquer des blessures.

## ■ Fonctionnement

**Ne partagez pas la prise avec d'autres appareils.**

- Cela peut provoquer un choc électrique ou un incendie à cause de la génération de chaleur.

**N'utilisez pas un cordon d'alimentation endommagé.**

- Vous risquez de provoquer un incendie ou un choc électrique.

**Ne modifiez ni ne rallongez le cordon d'alimentation en n'importe quel point.**

- Autrement, vous risquez de provoquer un incendie ou un choc électrique.

**Veillez à ce que le cordon d'alimentation ne soit pas tiré en cours de fonctionnement.**

- Autrement, vous risquez de provoquer un incendie ou un choc électrique.

**Débranchez l'unité si vous constatez la présence de bruits étranges, d'odeurs ou de fumée provenant de l'appareil.**

- Autrement, vous risquez de provoquer un incendie ou un choc électrique.

**Évitez le contact avec des flammes.**

- Autrement, vous risquez de provoquer un incendie.

**A l'occasion, débranchez la fiche d'alimentation, en la prenant par la tête, et ne la touchez pas avec les mains mouillées.**

- Autrement, vous risquez de provoquer un incendie ou un choc électrique.

**N'utilisez pas le cordon d'alimentation près des dispositifs de chauffage.**

- Autrement, vous risquez de provoquer un incendie ou un choc électrique.

**N'ouvrez pas l'ouverture d'aspiration de l'unité intérieure/extérieure en cours de fonctionnement.**

- Autrement, vous risquez de provoquer un choc électrique ou un mauvais fonctionnement.

**Ne permettez pas que de l'eau entre en contact avec les pièces électriques.**

- Autrement, vous risquez de provoquer le mauvais fonctionnement de l'appareil ou un choc électrique.

**Prenez la fiche d'alimentation par la tête lorsque vous la débranchez.**

- Cela peut provoquer un choc électrique ou des dommages.

**Ne touchez jamais les pièces métalliques de l'unité lorsque vous retirez le filtre.**

- Elles sont aiguisées et peuvent provoquer des blessures.

**Ne montez sur l'appareil ni n'y placez aucun objet.**

- Autrement, vous risquez de vous blesser en tombant de l'appareil.

**Contactez le service après-vente si le produit est submergé dans l'eau.**

- Autrement, vous risquez de causer un incendie ou un choc électrique.

**Ne placez pas d'objet lourd sur le cordon d'alimentation.**

- Autrement, vous risquez de provoquer un incendie ou un choc électrique.

**Veillez à ce que les enfants ne montent pas sur l'unité extérieure.**

- Autrement, ils risquent d'être sérieusement blessés en tombant.

## ATTENTION

### ■ Installation

**Installez le raccord de drainage de manière à assurer un drainage convenable.**

- Autrement, vous risquez de causer une fuite d'eau.

**Installez le produit de sorte que vos voisins ne soient pas dérangés par le bruit ou par le vent chaud venant de l'unité extérieure.**

- Autrement, vous risquez de susciter des querelles avec les voisins.

**Après l'installation ou la réparation du produit, veillez toujours à vérifier qu'il n'y ait pas de fuite de gaz.**

- Autrement, vous risquez de causer le mauvais fonctionnement de l'appareil.

**Maintenez le niveau lors de l'installation du produit.**

- Autrement, vous risquez de provoquer des vibrations ou une fuite d'eau.

### ■ Fonctionnement

**Évitez le refroidissement excessif et aérez parfois.**

- Autrement, vous risquez de nuire à votre santé.

**Utilisez un tissu doux pour nettoyer l'appareil. N'employez ni de cire, ni de diluant ni de détergent fort.**

- Autrement, vous risquez de détériorer l'aspect de l'appareil, changer sa couleur ou provoquer des défauts sur sa surface.

**N'utilisez pas le produit à des buts particuliers, tels que la préservation d'animaux, de plantes, de dispositifs de précision ou d'objets d'art, etc.**

- Autrement, vous risquez d'endommager vos biens.

**Ne placez pas d'obstacles autour de l'entrée ou de la sortie du flux d'air.**

- Autrement, vous risquez de provoquer le mauvais fonctionnement de l'appareil ou un accident.

# Introduction

## Symboles utilisés dans ce manuel



Ce symbole indique un risque de choc électrique.

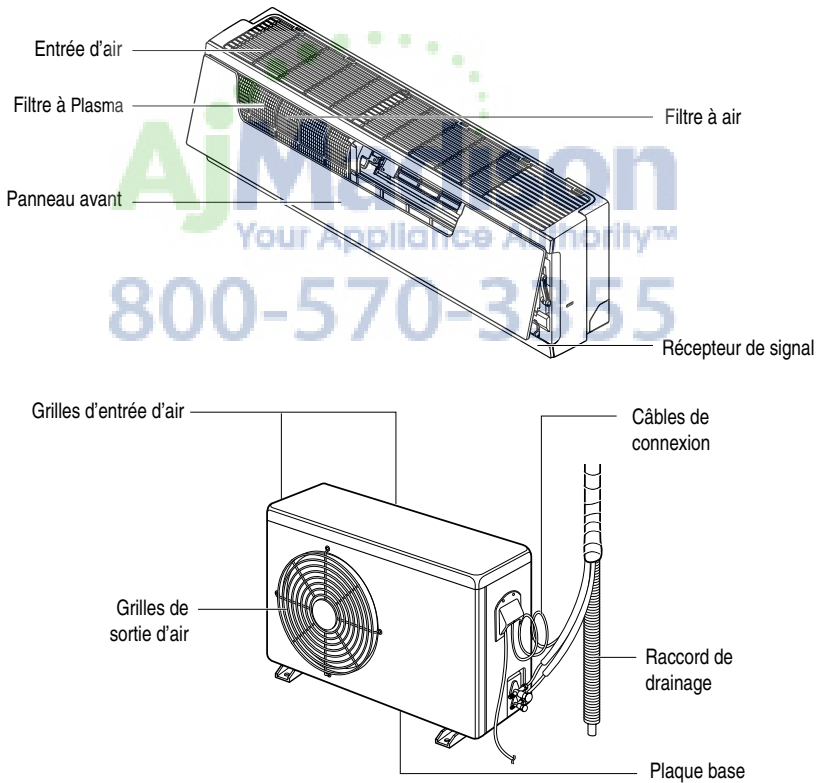


Ce symbole signale des risques qui pourraient endommager le climatiseur.

### REMARQUE

Ce symbole indique les remarques.

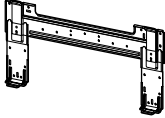
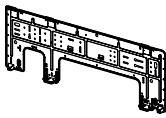






## Caractéristiques



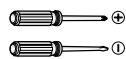




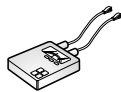



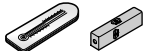


# Installation

Lisez-le avec soin et suivez les pas exactement.

## Pièces d'installation

Type 1	Type 2
Plaque d'installation	Plaque d'installation
	
Vis Type "B"	Vis Type "B"
	
Vis Type "A" (6 EA)	Vis Type "A" (8 EA)
	
Support de la télécommande	Support de la télécommande
	

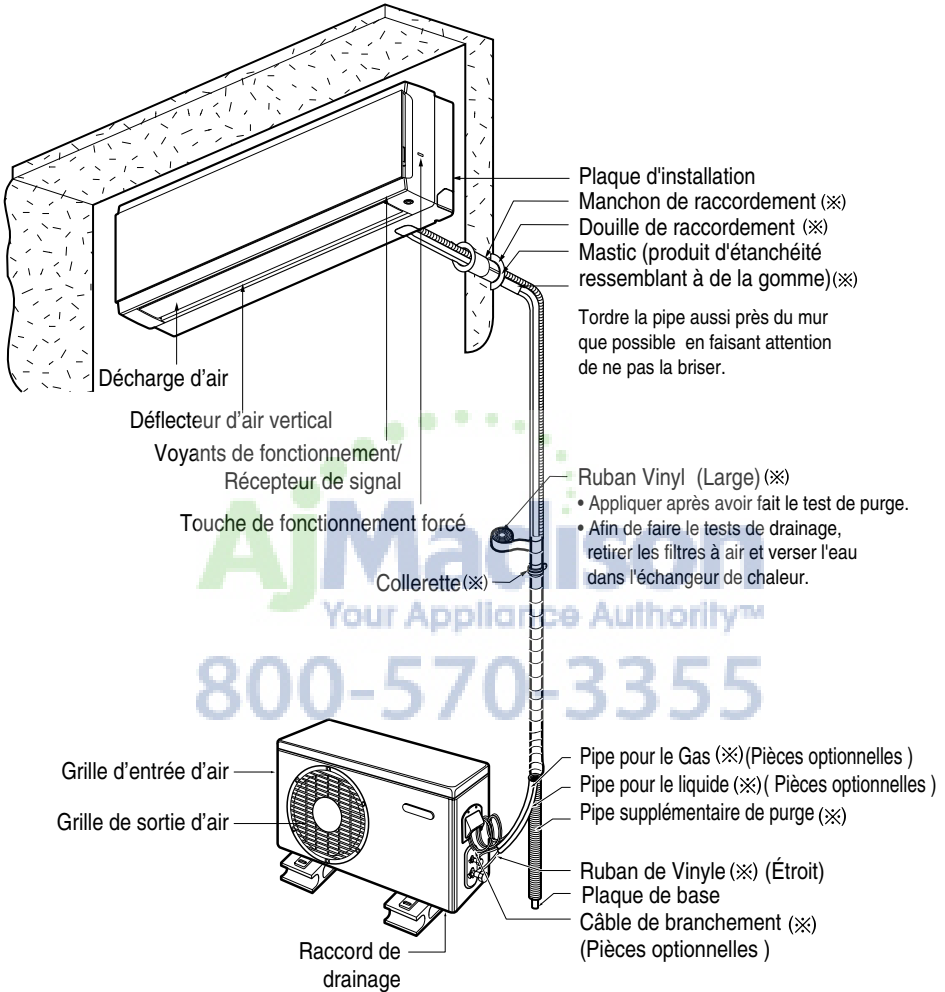
## Outils d'installation

Figure	Nom	Figure	Nom
	Tournevis		Ohmmètre
	Perceuse électrique		Clé à six pans
	Ruban de mesure, Couteau		Ampèremètre
	Mèche		Détecteur de fuite de gaz
	Clé de serrage		Thermomètre, Dispositif de nivellement
	Clé de serrage dynamométrique		Ensemble d'outils d'évasement

## Carte d'installation

### REMARQUE

Les pièces d'installation doivent être achetées. (※)

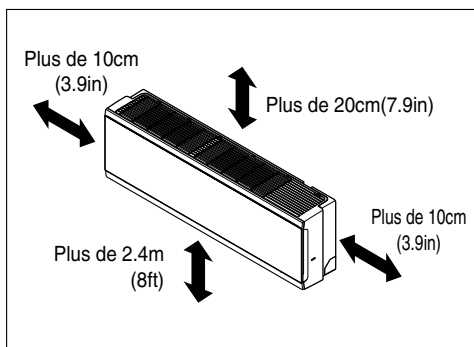


**NOTE** : l'épaisseur du mur de la ligne de frigorigène doit être d'au moins 0,8 mm (0,031 pouces)

## Choix du meilleur emplacement

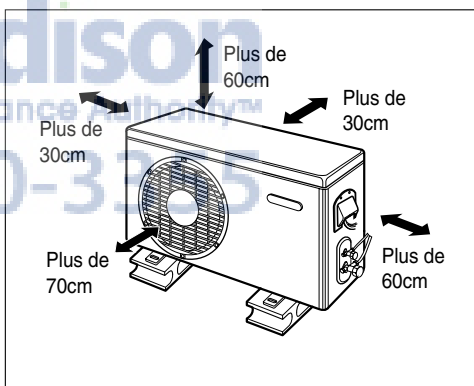
### Unité intérieure

1. Ne permettez pas la présence de chaleur ou de vapeur près de l'unité.
2. Choisissez un endroit où il n'y ait pas d'obstacles devant l'unité.
3. Assurez-vous que le drainage de l'eau condensée soit dirigé convenablement vers l'extérieur.
4. Ne l'installez pas près d'une porte.
5. Assurez-vous que l'espace entre le mur et les côtés gauche et droit de l'unité soit supérieur à 10cm. L'unité doit être installée sur le mur aussi haut que possible, séparée du plafond par 20cm au moins.
6. Utilisez un Détecteur de Métal ou un Senseur de Métal pour localiser les poteaux et éviter des dégâts superflus au mur.



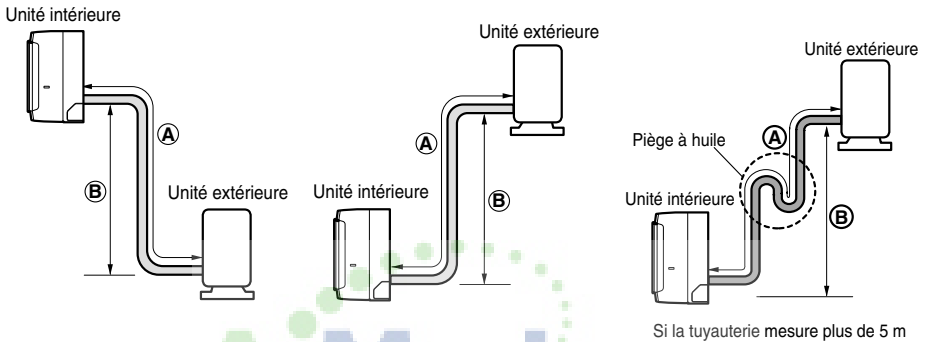
### Unité extérieure

1. Si une bâche est construite au dessus de l'unité pour éviter l'exposition directe au soleil ou à la pluie, assurez-vous que la radiation de chaleur du condenseur ne se voit pas limitée.
2. Assurez-vous que l'espace autour de la partie arrière et des côtés de l'unité soit supérieur à 30cm. La partie avant de l'unité doit avoir plus de 70cm d'espace.
3. Ne placez d'animaux ni de plantes dans la direction du flux d'air chaud.
4. Tenez en compte le poids du climatiseur et choisissez un endroit où le bruit et la vibration soient réduits au minimum.
5. Choisissez un endroit où le flux d'air chaud et le bruit du climatiseur ne dérangent pas vos voisins.



## Élévation et longueur de la tuyauterie

Capacité (Btu/hr)	Taille tuyau		Longueur standard (m)	Hauteur maxi. B (m)	Longueur maxi. A (m)	Frigorigène supplémentaire (g/m)
	GAZ	LIQUIDE				
9k, 12k	9.52 (3/8")	6.35(1/4")	7.5	7	15	20
18k	12.7(1/2")	6.35(1/4")	7.5	7	15	20
24k	15..88(5/8")	9.52(3/8")	7.5	15	30	30



### ⚠ ATTENTION

La capacité est basée sur la longueur standard et la longueur maximale permise est fonction de la fiabilité. Un piège à huile doit être installé tous les 5~7 mètres.

## Fixation de la plaque d'installation

Le mur choisi doit être suffisamment fort et solide pour éviter les vibrations.

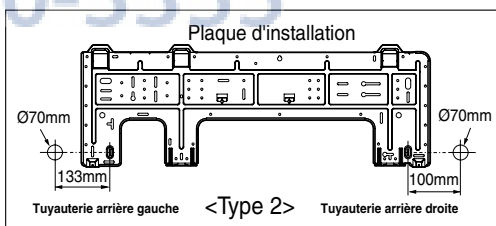
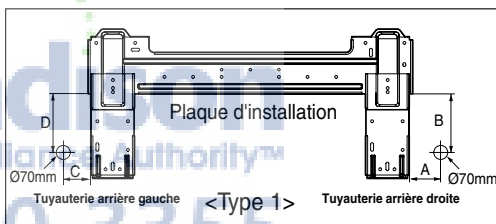
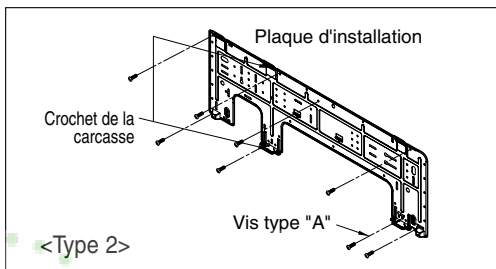
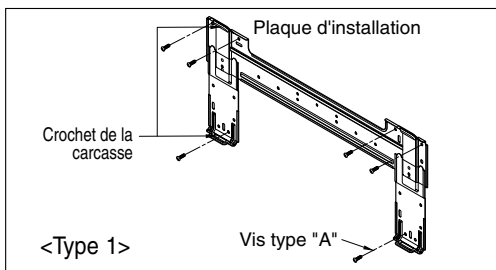
- Montez la plaque d'installation sur le mur à l'aide de vis type "A". Si vous montez l'unité sur un mur en béton, utilisez des boulons d'ancrage.
- Montez la plaque d'installation horizontalement en alignant l'axe à l'aide d'un niveau.

- Mesurez le mur et marquez l'axe. Il est aussi important de prendre soin à l'emplacement de la plaque d'installation à l'égard du cheminement des câbles vers les prises de courant se trouvant normalement dans les murs. Le perçage des trous pour le raccordement des tuyauteries doit être effectué en toute sécurité.

<Type 1>

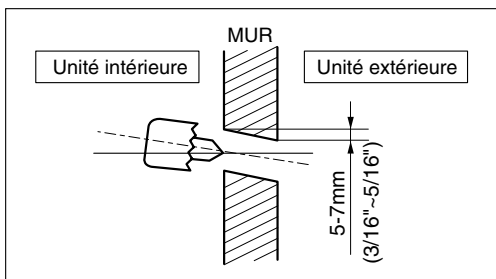
Capacité (Btu/hr)	Distance (mm)			
	A	B	C	D
SE1 (9k, 12k)	70(2.8)	110(4.3)	90(3.5)	110(4.3)
S8 (18k, 24k)	100(3.9)	122(4.8)	240(9.5)	122(4.8)

- Installez après avoir enlevé une des phases de découpage en fonction de l'emplacement d'installation des conduits de l'unité intérieure.



## Perçage d'un orifice dans le mur

- Percez le trou pour la tuyauterie à l'aide d'une mèche de  $\varnothing 70\text{mm}$ . Percez le trou pour la tuyauterie à droite ou à gauche avec une légère pente vers le côté de l'unité extérieure.

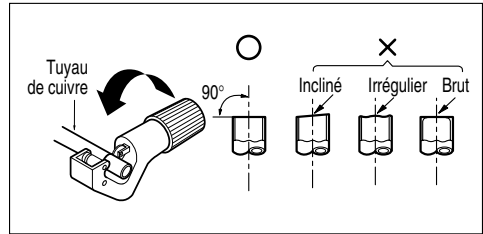


## Travail d'évasement

La cause principale des fuites de gaz réside dans un travail d'évasement défectueux. Réussissez le travail d'évasement à l'aide de la procédure suivante.

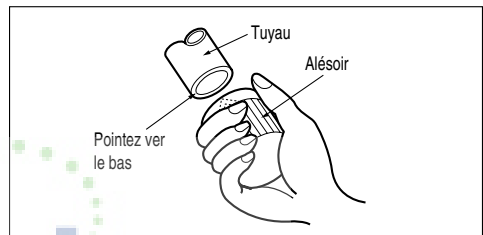
### Découpage des Tuyaux.

1. Utilisez l'ensemble des tuyaux accessoires ou bien des tuyaux achetés localement.
2. Mesurez la distance entre l'unité intérieure et l'unité extérieure.
3. Coupez les tuyaux un peu plus longs que la distance mesurée.
4. Coupez le câble à une longueur supérieure de 1,5m par rapport à la longueur du tuyau.



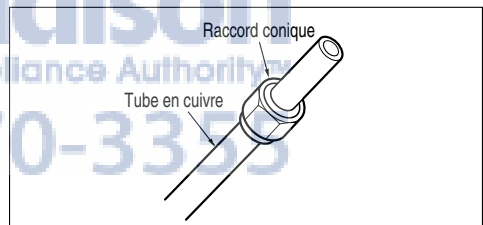
### Enlevez les bavures

1. Retirez complètement toutes les bavures de la section coupée du tuyau/tube.
2. Placez l'extrémité du tube/tuyau de cuivre vers le bas pendant que vous retirez les bavures, afin d'éviter que des bavures tombent à l'intérieur de la tuyauterie.



### Placez les écrous

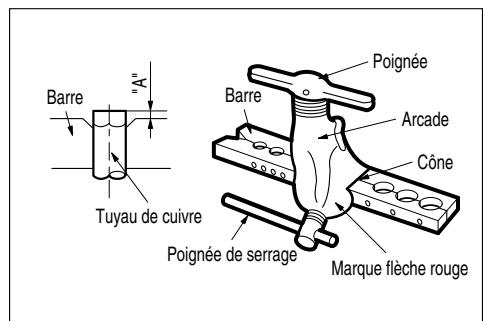
- Enlevez les raccords coniques attachés aux unités intérieure et extérieure, puis placez-les dans le tube/tuyau après avoir enlevé les bavures. (il est impossible de placer ces raccords après avoir effectué le travail d'évasement)



### Travail d'évasement

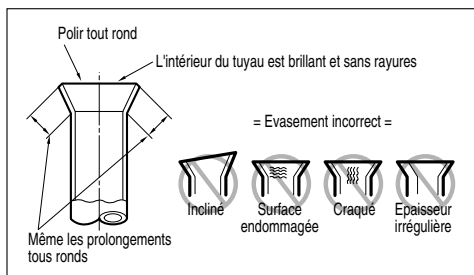
1. Soutenez fermement le tuyau en cuivre dans une barre des dimensions montrées dans le tableau ci-dessous.
2. Réussissez le travail d'évasement à l'aide d'un outil d'évasement.

Diamètre extérieur		A
mm	pouces	mm
Ø6.35	1/4	1.1~1.3
Ø9.52	3/8	1.5~1.7
Ø12.7	1/2	1.6~1.8
Ø15.88	5/8	1.6~1.8
Ø19.05	3/4	1.9~2.1



## Vérifiez

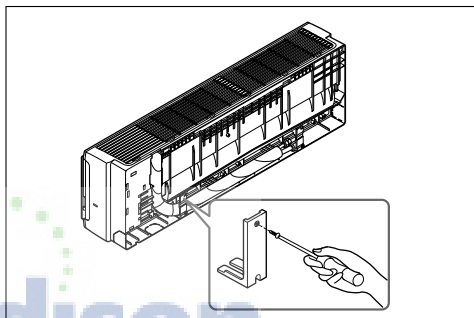
1. Comparez votre travail d'évasement avec la figure ci-dessous.
2. Si vous notez que l'évasement est défectueux, coupez la section évasée et refaites l'évasement.



## Raccordement de la tuyauterie

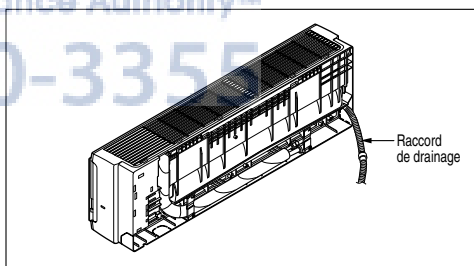
### Unité intérieure

1. Préparez la tuyauterie et le raccord de drainage de l'unité intérieure pour l'installation à travers le mur.
2. Enlevez le support de fixation plastique de la tuyauterie (voir l'illustration tout à côté) et tirez du tuyau et du raccord de drainage pour les faire sortir du boîtier.
3. Remettez à sa place originale seulement le support 1 des tuyaux en plastique et non pas le support 2.



### Pour la tuyauterie arrière droite

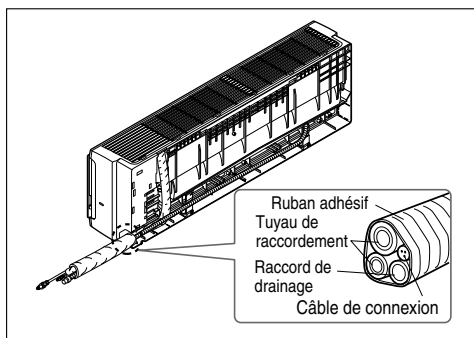
1. Orientez la tuyauterie et le raccord de drainage de l'unité intérieure dans la direction désirée, que se soit à droite ou à gauche de la partie arrière.
2. Insérez le câble de connexion de l'unité extérieure dans l'unité intérieure à travers le trou de la canalisation.
  - Ne connectez pas le câble à l'unité intérieure.
  - Faites un petit boucle avec le câble pour le connecter facilement plus tard.
3. Collez la tuyauterie, le raccord de drainage et le câble de connexion à l'aide du ruban adhésif. Assurez-vous que le raccord de drainage est placé dans la partie inférieure du faisceau. Le placer dans la partie supérieure peut provoquer le débordement de l'eau du bac à condensats à l'intérieur de l'unité.



### ⚠ ATTENTION

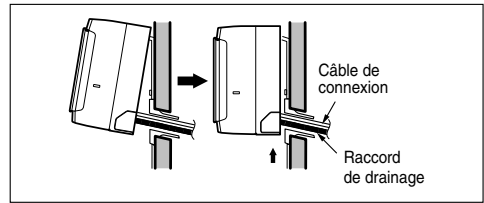
Si le raccord de drainage est orienté vers l'intérieur de la pièce, isolez le tuyau avec du matériel isolant\* afin d'éviter que le suintement de "condensation d'eau" (condensats) endommage vos meubles ou planchers.

- Il est recommandé d'utiliser de la mousse de polyéthylène ou un équivalent.



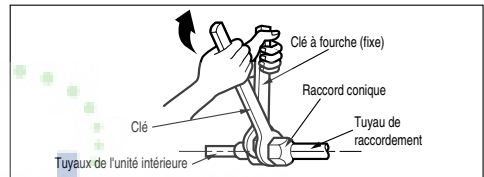
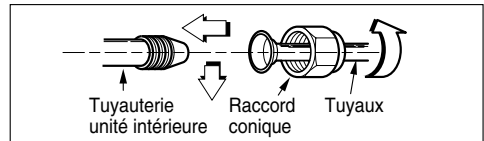
#### 4. Installation de l'unité intérieure

Accrochez l'unité intérieure dans la partie supérieure de la plaque d'installation. (Encastrez les deux crochets se trouvant en haut dans la partie arrière de l'unité intérieure dans le bord supérieur de la plaque d'installation) Assurez-vous que les crochets sont correctement appuyés sur la plaque d'installation en essayant de les déplacer à gauche et à droite. Pressez les parties inférieures gauche et droite de l'unité contre la plaque d'installation jusqu'à ce que les crochets soient encastrés dans leurs encoches (vous entendrez alors un déclic).



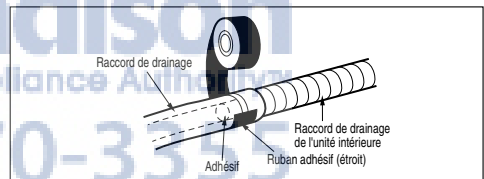
#### Raccorder la tuyauterie à l'unité intérieure et le raccord de drainage au tuyau de drainage

1. Alinez le centre des tuyaux et serrez suffisamment le raccord conique à la main.
2. Serrez encore plus le raccord conique à l'aide d'une clé.



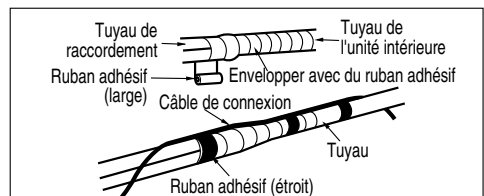
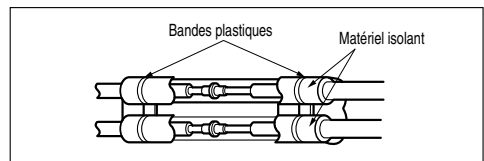
Diamètre extérieur		Torque	
mm	pouces	kgf·m	lbf·ft
Ø6.35	1/4	1.8~2.5	13~18
Ø9.52	3/8	3.4~4.2	24.6~30.4
Ø12.7	1/2	5.5~6.6	39.8~47.7
Ø15.88	5/8	6.3~8.2	45.6~59.3

3. Lorsque vous placez le raccord de drainage dans l'unité interne, installez le tuyau de drainage.

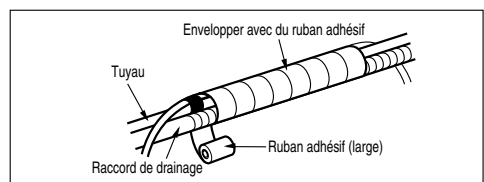


#### Envelopper la zone de raccordement avec du matériel isolant.

1. Superposez le matériel isolant du tuyau de raccordement et celui du tuyau de l'unité intérieure. Reliez-les ensemble avec du ruban adhésif pour qu'il ne reste aucun espace vide entre eux.
2. Enveloppez avec du ruban adhésif la zone où se trouve la tuyauterie arrière.



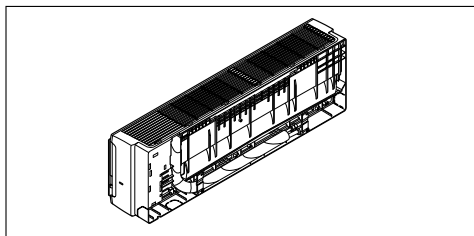
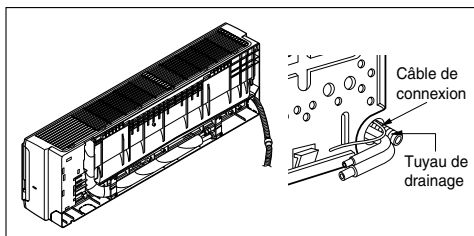
3. Reliez la tuyauterie et le raccord de drainage avec du ruban adhésif de telle sorte qu'ils puissent s'encastrer dans la zone destinée à la tuyauterie arrière.



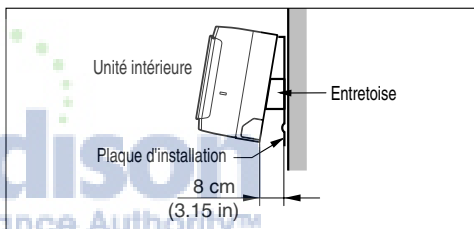
800-570-3355

### Pour la tuyauterie arrière gauche

- Orientez la tuyauterie et le raccord de drainage de l'unité intérieure vers la position désirée dans le trou de la canalisation.
- Insérez la tuyauterie, le raccord de drainage et le câble de connexion dans le trou de la canalisation.
- Insérez le câble de connexion dans l'unité intérieure.
  - Ne connectez pas le câble à l'unité intérieure.
  - Faites un petit boucle avec le câble pour le connecter facilement plus tard.
- Collez les câbles de connexion et le raccord de drainage à l'aide du ruban adhésif.

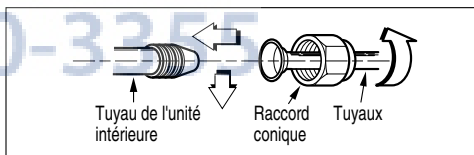


- Installation de l'unité intérieure
  - Accrochez l'unité intérieure dans la partie supérieure de la plaque d'installation.
  - Insérez l'entretoise ou un autre élément d'écartement entre l'unité intérieure et la plaque d'installation et séparez la partie inférieure de l'unité intérieure du mur.

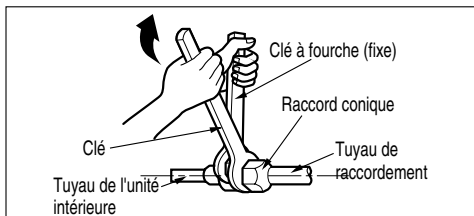


### Raccorder la tuyauterie à l'unité intérieure et le raccord de drainage au tuyau de drainage

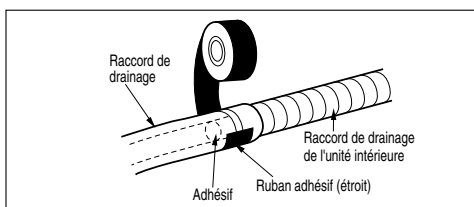
- Alignez le centre des tuyaux et serrez suffisamment le raccord conique à la main.
- Serrez encore plus le raccord conique à l'aide d'une clé.



Diamètre extérieur		Torque	
mm	pouces	kgf·m	lbf·ft
Ø6.35	1/4	1.8~2.5	13~18
Ø9.52	3/8	3.4~4.2	24.6~30.4
Ø12.7	1/2	5.5~6.6	39.8~47.7
Ø15.88	5/8	6.3~8.2	45.6~59.3

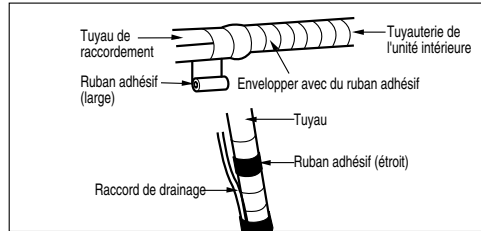
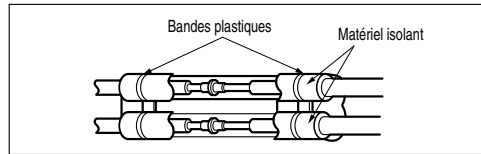


- Lorsque vous placez le raccord de drainage dans l'unité interne, installez le tuyau de drainage.

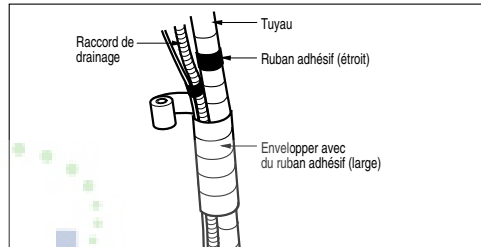


### Envelopper la zone de raccordement avec du matériel isolant.

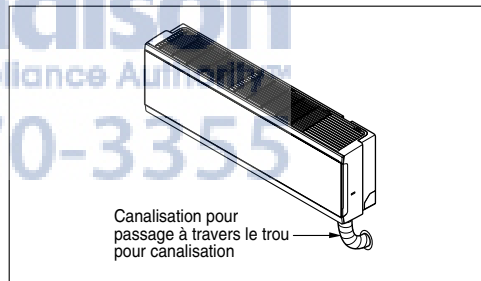
1. Superposez l'isolant thermique du tuyau de raccordement et celui du tuyau de l'unité intérieure. Reliez-les ensemble avec du ruban adhésif pour qu'il ne reste aucun espace vide entre eux.
2. Enveloppez avec du ruban adhésif la zone où se trouve la tuyauterie arrière.



3. Reliez la tuyauterie et le raccord de drainage avec du ruban adhésif de telle sorte qu'ils puissent s'encaster dans la zone de la tuyauterie arrière.

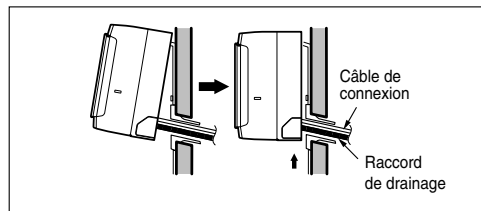


### Réorientez les tuyaux et le raccord de drainage tout au long de la partie arrière du boîtier.



### Installation de l'unité intérieure

1. Enlevez l'entretoise.
2. Assurez-vous que les crochets sont correctement appuyés sur la plaque d'installation en essayant de les déplacer à gauche et à droite.
3. Pressez les parties inférieures gauche et droite de l'unité contre la plaque d'installation jusqu'à ce que les crochets soient encastrés dans leurs encoches (vous entendrez alors un déclic).



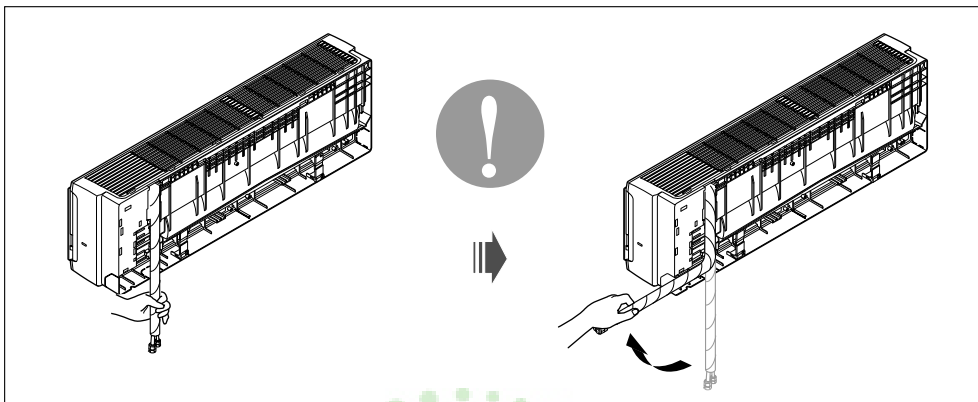

  
 Your Appliance Authority
   
 800-570-3355

## ⚠ ATTENTION

Information concernant l'installation Pour la tuyauterie gauche. Suivez les instructions ci-dessous.

### Bon exemple

- Appuyez sur la partie supérieure de la bride et déployez doucement les tuyaux vers le bas.



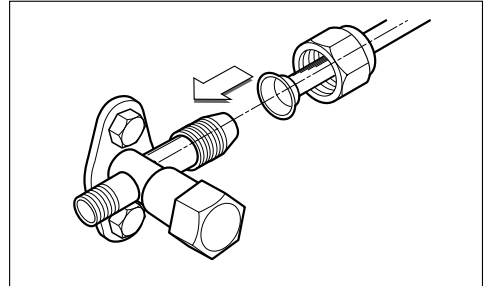
### Mauvais exemple

- Plier les tuyaux de gauche à droite, comme montré ci-après, risque d'endommager le tuyau.



## Unité extérieure

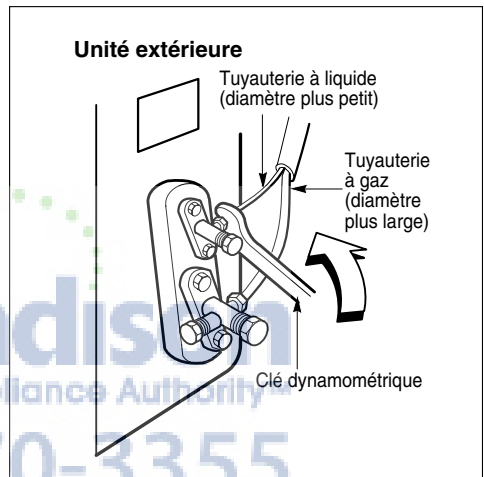
Alignez le centre des tuyaux et serrez suffisamment le raccord conique à la main.



Finalement, serrez encore plus le raccord conique à l'aide d'une clé dynamométrique jusqu'à entendre un déclic provenant de la clé.

- Lorsque vous serrez le raccord conique à l'aide de la clé dynamométrique, assurez-vous de le faire dans la direction indiquée par la flèche qui se trouve dans la clé.

Diamètre extérieur		Torque	
mm	pouces	kgf·m	lbf·ft
Ø6.35	1/4	1.8~2.5	13~18
Ø9.52	3/8	3.4~4.2	24.6~30.4
Ø12.7	1/2	5.5~6.6	39.8~47.7
Ø15.88	5/8	6.3~8.2	45.6~59.3
Ø19.05	3/4	9.9~12.1	71.6~87.5



## Connexion des câbles

### intérieure

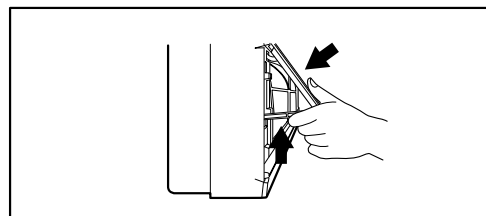
Le câblage de l'unité intérieure se fait à travers le raccordement des câbles aux bornes du panneau de commande un à un suivant le raccordement de l'unité extérieure. (Assurez-vous que la couleur des câbles de l'unité extérieure et les numéros des bornes soient les mêmes que ceux de l'unité intérieure.)

## ⚠ ATTENTION

### Comment utiliser le panneau avant.

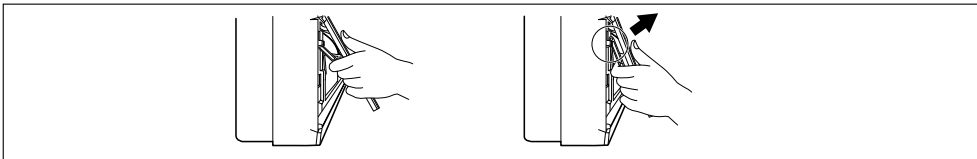
#### 1. Fermer le panneau avant

Relevez le crochet puis fermez le panneau avant.



## 2. Retirer le panneau avant

Relevez le crochet complètement jusqu'à le libérer puis retirez le panneau avant



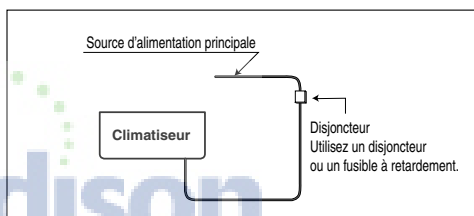
### ⚠ ATTENTION

- Le diagramme du circuit n'est pas sous réserve de modifications sans préavis.
- Assurez-vous de raccorder les câbles suivant le diagramme du câblage.  
Le câble à la terre doit être plus long que les câbles ordinaires.
- Lors de l'installation, lisez le diagramme électrique situé derrière le panneau avant de l'Unité intérieure.
- Le câblage de l'unité extérieure se trouve à l'intérieur du couvercle du tableau de commande de l'Unité extérieure.
- Raccordez les câbles fortement pour éviter qu'ils soient débranchés facilement.
- Raccordez les câbles suivant les codes de couleur du diagramme du câblage.

### ⚠ ATTENTION

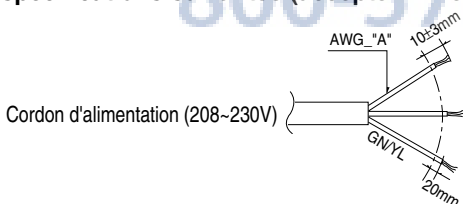
Installez un disjoncteur entre la source d'alimentation et l'unité extérieure tel qu'il est illustré en bas.

Disjoncteur (A)	Grade(Btu/h)		
	9k-12k	18k	24k
15	20	25	



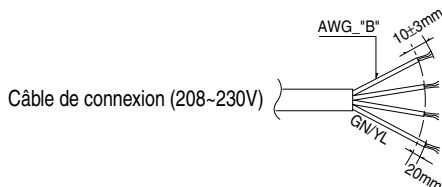
### ⚠ ATTENTION

Le cordon d'alimentation raccordé à l'unité extérieure doit être conforme aux spécifications suivantes (accepté ETL et certifié CSA).



Alimentation	Grade(Btu/h)	
	9/12/18k	24k
"A"	14	12

Le cordon d'alimentation raccordé à l'unité intérieure et à l'unité extérieure doit être conforme aux spécifications suivantes (accepté ETL et certifié CSA).



Alimentation	Grade(Btu/h)	
	9/12/18k/24k	
"B"	18	

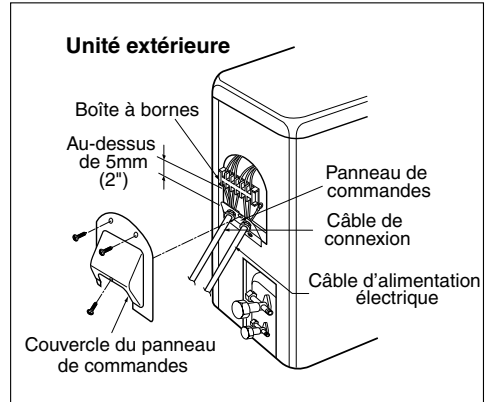
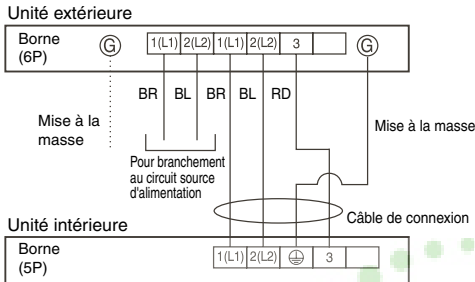
### ⚠ ATTENTION

Si vous utilisez l'autre fil électrique comme cordon d'alimentation, veuillez fixer le fil électrique au panneau du boîtier de contrôle en utilisant les attaches à tête d'équerre en guise de fixation.

## Unité extérieure

1. Retirez le couvercle du panneau de commande de l'unité en dévissant les vis.  
Raccordez les câbles aux bornes du panneau de commande un à un comme suit.
2. Assurez le câble dans le panneau de commande avec le support (bride).
3. Revissez le couvercle du panneau de commande.

### Schéma de câblage



### REMARQUE

1. Câblez séparément les lignes d'high voltage et de faible voltage.
2. Utilisez des câbles électriques calorifuges capables de supporter des températures supérieures à 75°C (167°F).
3. Utilisez des câbles de connexion pour extérieur et imperméables d'une valeur nominale supérieure à 300V pour le raccordement entre l'unité intérieure et l'unité extérieure. (Par exemple, Type SJO-WA)

### ⚠ AVERTISSEMENT

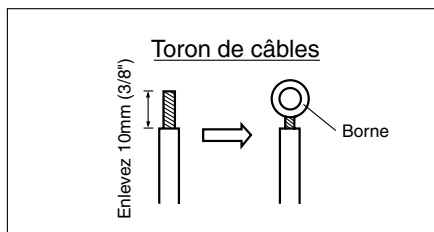
- Assurez-vous de respecter les codes locaux pour le raccordement de l'unité intérieure à l'unité extérieure (dimension du câble et méthode de câblage, etc.).
- Tous les câbles doivent être solidement raccordés.
- Aucun câble ne doit toucher la tuyauterie de réfrigération, le compresseur ni aucune pièce mobile.

## Comment raccorder les câbles aux bornes

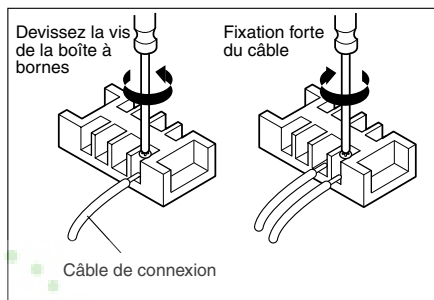
Pour le toron de câbles

- (1) Coupez le bout du câble avec un coupe-câbles ou des pinces coupe-câbles. Puis, enlevez environ 10mm (3/8") du matériel isolant pour défaire le toron de câbles.
- (2) À l'aide d'un tournevis, retirez le(s) vis des bornes de la plaque à bornes.
- (3) À l'aide des pinces ou d'une clé à bornes, fixez solidement chaque bout du câble du toron à une borne.
- (4) Revissez les vis de la borne à l'aide d'un tournevis.

### Cordon d'alimentation



### Câble de connexion



## ⚠ ATTENTION

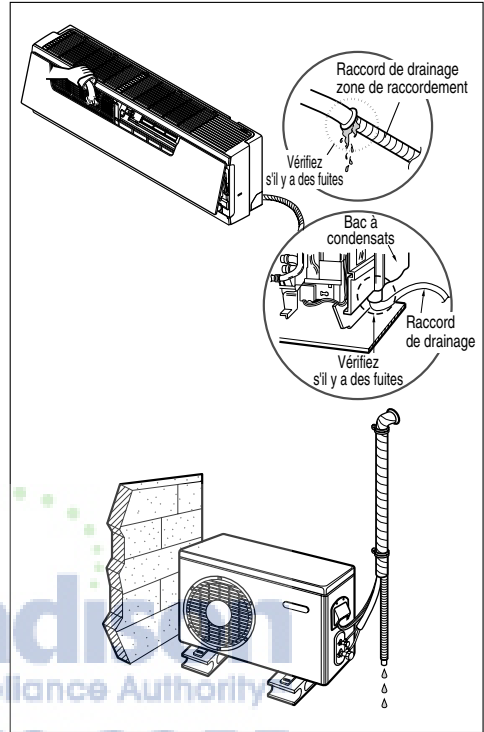
Suivant la confirmation des conditions ci-dessus, préparez le câblage de la manière suivante:

1. Le climatiseur doit compter toujours avec un circuit électrique spécifique. En ce qui concerne la méthode de câblage, suivez les instructions du schéma de connexions situé à l'intérieur du couvercle du tableau de commande.
2. Les vis qui serrent le câblage au boîtier des installations électriques sont susceptibles de se desserrer à cause des vibrations pendant le transport de l'unité. Vérifiez qu'ils sont bien serrés. (Le fait qu'ils soient mal serrés pourrait provoquer la brûlure des câbles).
3. Spécification de la source d'alimentation.
4. Confirmez que la capacité électrique est suffisante.
5. Vérifiez que la tension de démarrage est maintenue au-delà de 90 pour cent de la tension nominale indiquée sur la plaque indicatrice.
6. Vérifiez que l'épaisseur du câble est conforme aux spécifications de la source d'alimentation. (Faites attention en particulier au rapport entre la longueur et l'épaisseur du câble.)
7. Dans des régions humides, installez toujours un coupe-circuit relié à la terre.
8. Une chute de tension pourrait provoquer:
  - La vibration d'un disjoncteur magnétique, qui endommagerait le point de contact, la rupture du fusible, des troubles dans le fonctionnement normal de la surcharge.
9. Les dispositifs de sectionnement de la source d'alimentation doivent être incorporés dans le câblage fixe et ils doivent avoir un entrefer minimum de 3mm par rapport à chaque conducteur actif (en phase).

## Vérification du drainage

### Pour vérifier le drainage:

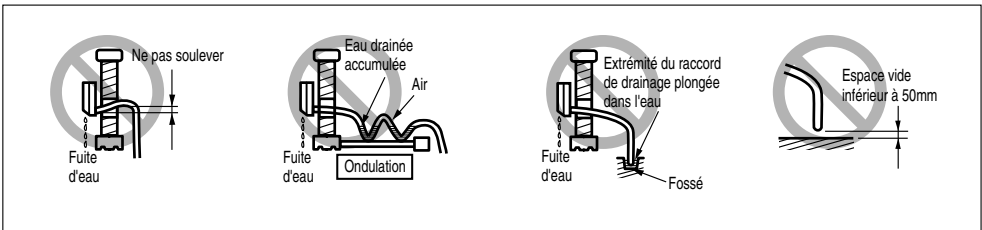
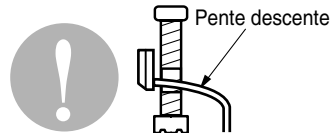
1. Versez un verre d'eau dans l'évaporateur.
2. Vérifiez que l'eau coule à travers le raccord de drainage de l'unité interne sans qu'il y ait des fuites et qu'elle s'écoule jusqu'à la sortie de drainage.



FRANÇAIS

### Tuyauterie de drainage

1. Le raccord de drainage doit être en pente descente pour que l'eau drainée coule aisément.
2. Ne faites pas la tuyauterie de drainage comme suit:



## Montage de la tuyauterie

Montez la tuyauterie en enveloppant la portion de raccordement de l'unité intérieure avec du matériel isolant et assurez-le avec deux types de ruban adhésif.

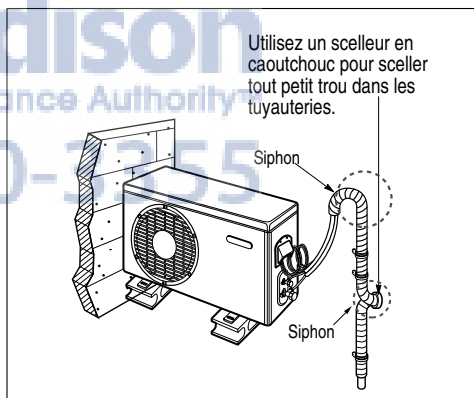
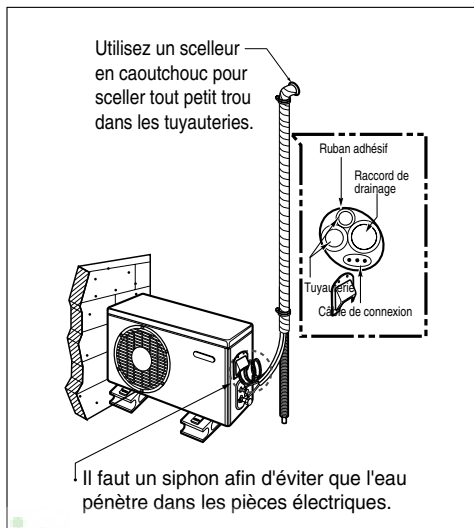
- Si vous voulez accoupler un raccord de drainage additionnel, l'extrémité de la sortie de drainage doit être acheminée au-dessus du sol. Assurez convenablement le raccord de drainage.

**Au cas où l'unité extérieure serait installée au-dessous de l'unité intérieure, faites comme suit:**

1. Collez avec du ruban adhésif la tuyauterie, le raccord de drainage et le câble de connexion du bas en haut.
2. Assurez la tuyauterie collée tout au long du mur extérieur à l'aide d'une selle ou équivalent.

**Au cas où l'unité extérieure serait installée au-dessus de l'unité intérieure, faites comme suit:**

1. Collez avec du ruban adhésif la tuyauterie et le câble de connexion du bas en haut.
2. Assurez la tuyauterie collée tout au long du mur extérieur. Faites un siphon pour éviter que l'eau pénètre à l'intérieur de la pièce.
3. Fixez la tuyauterie au mur à l'aide du selle ou équivalent.



## Épuration de l'air

### Épuration de l'air

L'air et l'humidité qui restent à l'intérieur du système frigorifique ont les effets indésirables ci-dessous indiqués:

1. La pression à l'intérieur du système augmente.
2. Le courant de fonctionnement augmente.
3. L'efficacité de refroidissement (ou de chauffage) diminue.
4. L'humidité dans le circuit réfrigérant peut se congeler et bloquer les capillaires.
5. L'eau peut provoquer la corrosion des pièces du système frigorifique.

Par conséquent, après avoir vidangé le système, vérifiez s'il y a des fuites dans la canalisation et les tuyaux reliant les unités intérieure et extérieure.

### Purger l'air à l'aide d'une pompe à vide

#### 1. Préparation

- Vérifiez que chaque tuyau (à liquide et à gaz) reliant les unités intérieure et extérieure a été correctement raccordé et que tout le câblage nécessaire pour tester le fonctionnement a été complété. Enlevez les bouchons des vannes de service des phase gaz et liquide de l'unité extérieure. Notez que ces deux vannes de service étaient restées fermées jusque là.

#### 2. Essai d'étanchéité

- Connectez la valve du manifold (avec manomètres) et la bouteille d'azote sec à l'orifice de sortie à l'aide de flexibles.

### ⚠ ATTENTION

Assurez-vous d'utiliser une valve du manifold pour effectuer l'épuration de l'air. Si ce n'est pas possible, utilisez une vanne d'arrêt à cette fin. Le bouton "Hi" (Haut) de la valve du manifold doit rester toujours sur la position fermé.

- Mettez sous pression le système à un maximum de 150 psi avec de l'azote sec et fermez le robinet de la bouteille quand la lecture du niveau atteint les 150 P.S.I.G. Puis, vérifiez s'il y a des fuites à l'aide du savon liquide.

### ⚠ ATTENTION

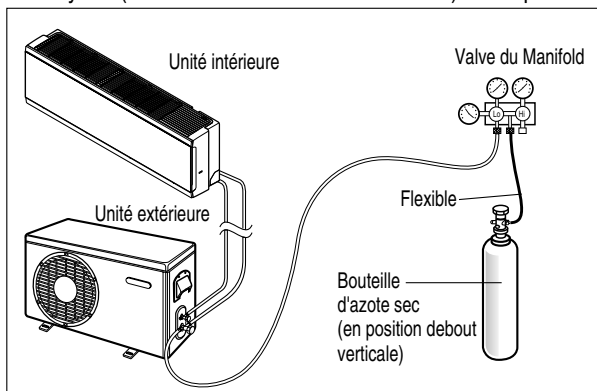
Pour éviter que de l'azote à l'état liquide pénètre dans le système frigorifique, la partie supérieure de la bouteille doit se trouver plus haut que sa partie inférieure lorsque vous mettez sous pression le système. D'habitude la bouteille est utilisée en position debout verticale.

1. Vérifiez l'étanchéité de tous les joints des tuyaux (des unités intérieure et extérieure) ainsi que des vannes de service des faces gaz et liquide.

Les bulles d'air indiquent qu'il y a une fuite. Assurez-vous d'essuyer le savon à l'aide d'un chiffon propre.

2. Après avoir vérifié que le système n'a pas de fuites, libérez la pression de l'azote en desserrant le raccord flexible de la bouteille d'azote.

Lorsque la pression du système est réduite au niveau normal, déconnectez le flexible de la bouteille.



## Méthode de l'eau savonneuse

1. Enlevez les bouchons des vannes de 2 sorties et de 3 sorties.
2. Enlevez le bouchon de l'orifice de sortie de la vanne de trois sorties.
3. Pour ouvrir la vanne de 2 sorties faites tourner environ 90° la tige de la vanne dans le sens contraire des aiguilles d'une montre, attendez près de 2-3 secondes, puis fermez-la.
4. A l'aide d'une brosse molle, appliquez de l'eau savonneuse ou un détergent liquide neutre aux raccords des unités intérieure ou extérieure afin de vérifier l'étanchéité des points de raccordement de la tuyauterie.
5. Si des bulles d'air se produisent, c'est qu'il y a des fuites dans les tuyaux.

## Evacuation

1. Raccordez l'extrémité du flexible décrit dans les pas précédents à la pompe à vide afin d'évacuer la tuyauterie et l'unité intérieure. Vérifiez que le bouton "Lo" and "Hi" (Bas) de la valve du manifold est sur la position Ouvert. Puis, mettez en marche la pompe à vide. Le temps d'exécution de l'opération d'évacuation varie en fonction de la longueur des tuyaux ainsi que de la capacité de la pompe. Le tableau suivant montre le temps requis pour l'évacuation.

Temps requis pour l'évacuation si la pompe à vide est utilisée à 30 gal/h	
Si la longueur du tuyau est inférieure à 10m (33 pieds)	Si la longueur du tuyau est supérieure à 10m (33 pieds)
10 mini. ou plus	15 mini. ou plus

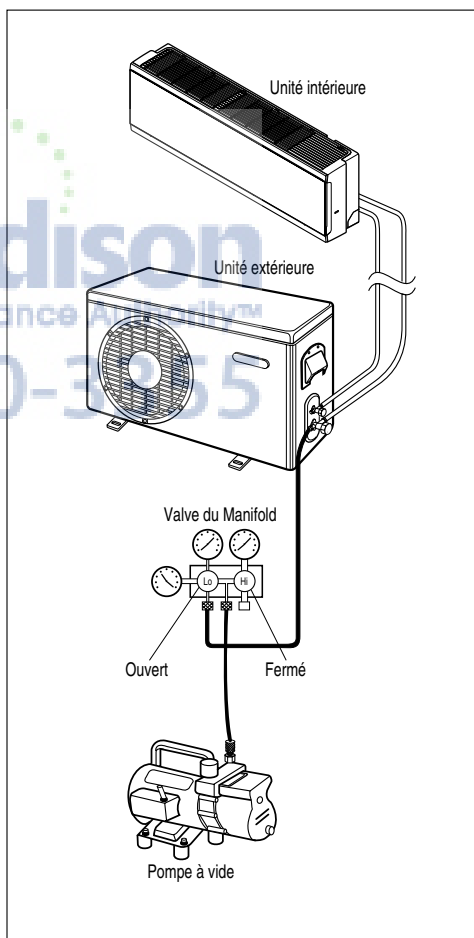
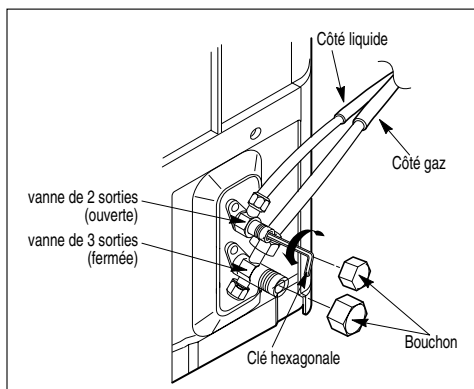
2. Une fois que le vide désiré est atteint, fermez le bouton "Lo" and "Hi" (Bas) de la valve du manifold et arrêtez la pompe à vide.

## Finition du travail

1. A l'aide d'une clé hexagonale, faites tourner la tige de la vanne à liquide dans le sens contraire des aiguilles d'une montre jusqu'à ouvrir complètement la vanne.
2. Faites tourner la tige de la vanne de la phase gaz dans le sens contraire des aiguilles d'une montre jusqu'à ouvrir complètement la vanne.
3. Desserrez légèrement le flexible connecté à l'orifice de sortie de la phase gaz pour faire diminuer la pression, puis enlevez le flexible.
4. Remettez à sa place le raccord conique et son chapeau dans l'orifice de sortie de la phase gaz et serrez le raccord conique à l'aide d'une clé réglable. Ce processus est très important pour éviter des fuites.
5. Remettez à sa place les bouchons des vannes ainsi que les vannes de services des phases gaz et liquide, puis serrez-les complètement.

L'épuration de l'air à l'aide d'une pompe à vide est ainsi finie.

Le climatiseur est maintenant prêt pour tester son fonctionnement.



## Test de fonctionnement

1. Vérifiez que tous les tuyaux et les câbles ont été correctement connectés.
2. Vérifiez que les vannes de service à gaz et à liquide sont complètement ouvertes.

### Préparez la télécommande

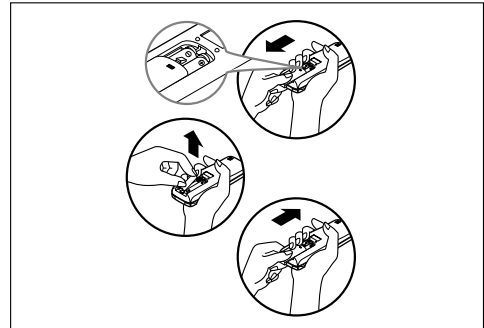
1. Enlevez le couvercle du compartiment des piles en tirant de celui-ci dans la direction indiquée par la flèche.
2. Insérez des piles neuves en vous assurant de respecter la polarité (+) et (-).
3. Remettez le couvercle à sa place en le poussant vers sa position initiale.

### REMARQUE

- Utilisez des piles 2 AAA (1.5volts).  
N'employez pas de piles rechargeables.
- Enlevez les piles de la télécommande si vous n'allez pas utiliser le système pour une longue période de temps.

### Installation de l'unité extérieure

1. Fixez l'unité extérieure horizontalement sur une dalle de béton ou sur un support rigide, à l'aide d'un boulon et écrou ( $\varnothing 10\text{mm}$  : 0.39") bien serré.
2. Si vous l'installez sur un mur, un toit ou une terrasse, fixez bien le support avec un clou ou un fil de fer tout en prenant en considération l'influence du vent et des tremblements de terre.
3. Au cas où la vibration de l'unité serait transmise à la maison, assurez l'unité avec un isolement anti-vibration en caoutchouc.

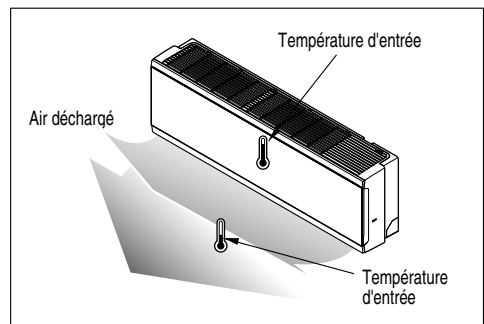
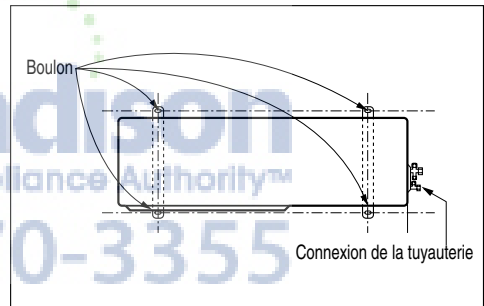


### Evaluation de la performance

Faites marcher l'unité pendant 15~20 minutes, puis vérifiez la charge frigorifique du système:

1. Mesurez la pression de la vanne de service à gaz.
2. Mesurez la température de l'air aspiré et celle de l'air extrait.
3. Assurez-vous que la différence entre la température de l'air aspiré et celle de l'air extrait est supérieure à 8°C.
4. Pour référence, la pression de la vanne de service à gaz à sa condition optimale est la suivante (Refroidissement)

Le climatiseur est maintenant prêt pour être utilisé.



Frigorigène	TEMP. ambiante extérieure	La pression de la vanne de service à gaz.
R410A	35°C (95°F)	8.5~9.5kg/cm <sup>2</sup> G(120~135 P.S.I.G.)

## **REMARQUE**

Si la pression effective est plus élevée que celle indiquée, le système a probablement un excès de fluide et il faut libérer un peu de charge. Si la pression effective est moins élevée que celle indiquée, le système est susceptible d'avoir un manque de fluide et il faut en ajouter.

## **EVACUATION**

**Ceci est effectué lorsque l'unité est déplacée ou que le circuit frigorifique est en cours de réparation.**

Evacuer veut dire recueillir tout le frigorigène se trouvant à l'intérieur de l'unité extérieure sans perte de fluide.

## **⚠ ATTENTION**

Veillez à effectuer la procédure d'évacuation en mode refroidissement.

### **Procédure d'évacuation**

1. Raccordez un indicateur du manifold à basse pression au point de charge de la vanne de service à gaz.
2. Ouvrez à moitié la vanne de service à gaz et purgez l'air du raccord du manifold en utilisant le frigorigène.
3. Fermez la vanne de service à liquide (complètement).
4. Placez l'interrupteur de fonctionnement de l'unité sur la position marche (on) et faites démarrer le mode refroidissement.
5. Quand la lecture du niveau du collecteur à basse pression atteint 1 à 0.5kg/cm<sup>2</sup> G(14.2 à 7.1 psi), fermez complètement la vanne à gaz, tout de suite après arrêtez l'unité. Maintenant la procédure d'évacuation est complétée et tout le frigorigène est recueilli dans l'unité extérieure.

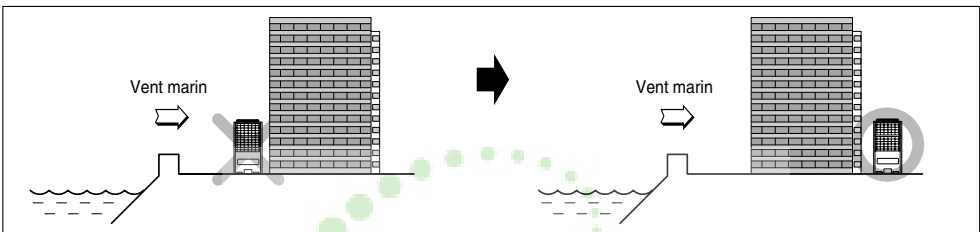
## Guide d'installation en bord de mer

### ⚠ ATTENTION

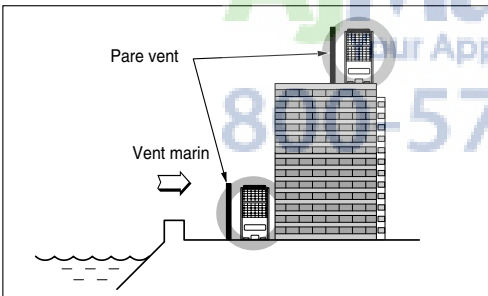
1. Les climatiseurs ne devraient pas être installés dans des endroits où sont produits des gaz corrosifs tels que les gaz acides ou alcalins.
2. Ne pas installer le produit dans un emplacement directement exposé au vent marin (embruns salés). Cela peut provoquer la corrosion du produit. La corrosion, tout particulièrement au niveau du condensateur et des serpentins de l'évaporateur, pourrait provoquer un fonctionnement inadapté ou inefficace.
3. Si l'unité extérieure est installée à proximité du bord de mer, évitez toute exposition directe au vent marin. Autrement l'appareil va nécessiter un traitement anti-corrosion supplémentaire au niveau de l'échangeur de chaleur.

### Sélection de l'emplacement (Unité Extérieure)

- 1) Si l'unité intérieure doit être installée à proximité du bord de mer, évitez toute exposition directe au vent marin. Installez l'appareil du côté opposé du sens du vent.



- 2) Si vous installez l'unité extérieure à proximité du bord de mer, installez un pare vent pour la protéger.



- Doit être suffisamment solide, comme du béton, pour résister au vent.
- Les dimensions doivent être environ 1,5 fois plus grandes que celles de l'unité (150%).
- Respectez au minimum 70cm entre l'unité et le pare vent pour la circulation de l'air.

- 3) Sélectionnez un emplacement bien ventilé.

1. Si vous ne pouvez pas respecter les consignes ci-dessus, veuillez contacter LG Electronics pour un traitement anti-corrosion supplémentaire.
2. Faites un nettoyage périodique (plus d'une fois par an) de la poussière et du sel collés sur l'échangeur de chaleur en utilisant de l'eau.

# LG

## Aire acondicionado **MANUAL DE INSTALACIÓN**



ESPAÑOL

### IMPORTANTE

- Lea este manual de instrucciones completamente antes de instalar el producto.
- Cuando el cable de alimentación esté dañado, la sustitución debe realizarse únicamente por personal autorizado.
- El trabajo de instalación debe realizarse de acuerdo con el Reglamento Eléctrico nacional y únicamente por personal autorizado.
- Después de leer completamente este manual de instalación, guárdelo para futuras consultas.

# ÍNDICE

<b>Requisitos de instalación</b>	<b>Piezas necesarias</b>	<b>Herramientas necesarias</b>
<b>Precauciones de seguridad</b> .....4	<input type="checkbox"/> Cuatro tornillos tipo "A" y tacos de plástico	<input type="checkbox"/> Indicador de nivel
<b>Introducción</b> .....7	<input type="checkbox"/> Cable de conexión	<input type="checkbox"/> Destornillador
Símbolos utilizados en este manual ....7	<input type="checkbox"/> Diagrama guía de instalación	<input type="checkbox"/> Taladradora eléctrica
Características .....7		<input type="checkbox"/> Broca corona (70 mm Ø)
<b>Instalación</b> .....8	<input type="checkbox"/> Conductos: Lado gas	<input type="checkbox"/> Medidor horizontal
Piezas para la instalación .....8	Lado líquido	<input type="checkbox"/> Equipo de herramientas de abocinamiento
Herramientas para la instalación .....8	<input type="checkbox"/> Materiales de aislamiento	<input type="checkbox"/> Llaves dinamométricas específicas 1,8 kg/m, 4,2 kg/m, 5,5 kg/m, 6,6 kg/m (diferentes en función del número de modelo)
Diagrama de instalación.....9	<input type="checkbox"/> Conducto adicional de drenaje (Diámetro exterior.....15.5mm)	<input type="checkbox"/> Llave inglesa semiunión
Selección de la mejor ubicación.....10	<input type="checkbox"/> Dos tornillos tipo "B"	
Longitud de conductos y elevación.....11		<input type="checkbox"/> Un vaso de agua
Fijación de la placa de instalación.....12		<input type="checkbox"/> Destornillador
Taladrado en la pared .....12		<input type="checkbox"/> Llave hexagonal (4 mm)
Trabajo de abocinamiento.....13		<input type="checkbox"/> Detector de fugas de gas
Conexión de conductos .....14		<input type="checkbox"/> Bomba de vacío
Conexión de cables.....20		<input type="checkbox"/> Indicador múltiple
Comprobación del drenaje.....23		<input type="checkbox"/> Manual de usuario
Formación de conductos .....24		<input type="checkbox"/> Termómetro
Purga de aire .....25		<input type="checkbox"/> Soporte del mando a distancia
Prueba de funcionamiento.....27		
Guía de instalación junto al mar.....29		



# Sistema mini-split de montaje en techo Única zona

## INSTRUCCIONES DE INSTALACIÓN

### ¡IMPORTANTE!

#### Lea completamente este manual de instrucciones antes de instalar el producto.

Este sistema acondicionador de aire cumple estrictamente las normas de funcionamiento y seguridad. Como instalador o persona de mantenimiento, una parte importante de su trabajo es instalar o realizar el mantenimiento del sistema de modo que funcione de modo eficiente y seguro.



#### ADVERTENCIA

- La instalación o reparaciones realizadas por personas no calificadas pueden poner en riesgo a las personas. La instalación DEBE cumplir los códigos locales de construcción o, en ausencia de códigos locales, el Código Eléctrico Nacional NFPA 70/ANSI C1-1993 o la edición actual y el Código Eléctrico de Canadá Parte 1 CSA C.22.1.
- La información contenida en el manual está pensada para ser utilizada por un técnico cualificado familiarizado con los procedimientos de seguridad y equipado con las herramientas e instrumentos de comprobación adecuados.
- Si no lee atentamente ni sigue las instrucciones de este manual puede producirse un mal funcionamiento en el equipo, daños materiales, lesiones personales y/o muerte.

**PRECAUCIÓN:** La instalación, ajuste, modificación, reparación o mantenimiento inadecuados pueden anular la garantía.

Dado el peso de la unidad condensadora se requiere precaución y la utilización de procedimientos de manejo adecuados al levantarla o desplazarla para evitar lesiones personales. Evite el contacto con los bordes afilados o puntiagudos.

#### Precauciones de seguridad

- Utilice siempre material de protección para los ojos y guantes de trabajo para instalar el equipo.
- Nunca dé por hecho que el suministro eléctrico está desconectado. Compruébelo con el medidor y el equipamiento.
- Mantenga las manos alejadas de las zonas de ventiladores cuando la alimentación esté conectada al equipo.
- R-410A produce quemaduras por congelación.
- R-410A es tóxico cuando se quema.

#### NOTA PARA EL INSTALADOR:

El manual de instrucciones y la garantía deben entregarse al propietario o quedar expuestos a la vista cerca de la unidad interior de ventilación/calefacción.



#### Advertencias especiales

##### Al realizar la conexión:

**Una descarga eléctrica puede producir graves lesiones personales o muerte. Sólo debe realizar la conexión de este sistema un electricista cualificado y experimentado.**

- No suministre energía a la unidad hasta que se hayan completado o reconectado y comprobado todas las conexiones y tuberías.
- Este sistema utiliza voltajes eléctricos altamente peligrosos. Consulte atentamente el esquema de cableado y estas instrucciones cuando realice las conexiones. Una conexión incorrecta y una puesta a tierra inadecuada pueden ocasionar lesiones por accidente o muerte.
- Ponga a tierra la unidad siguiendo los códigos eléctricos locales.
- Apriete fuertemente todas las conexiones. Los cables flojos pueden causar un sobrecalentamiento en los puntos de conexión y un posible peligro de incendio.

##### Al realizar el transporte:

Tenga cuidado al recoger y desplazar las unidades interior y exterior. Es necesario la ayuda de otra persona y doblar las rodillas al levantar la unidad para reducir la tensión en su espalda. Los bordes afilados o las aletas de aluminio delgado del acondicionador de aire pueden producir cortes en los dedos.

##### Al realizar la instalación...

... **en una pared:** Asegúrese de que la pared es lo suficientemente resistente como para soportar el peso de la unidad.

Puede que sea necesario construir un bastidor de metal o madera resistente para proporcionar más apoyo.

... **en una habitación:** Aísle adecuadamente cualquier tubería situada en el interior de una habitación para evitar la "condensación" que puede producir goteo y daños en pared y suelo.

... **en emplazamientos húmedos o no uniformes:** Utilice una base de hormigón elevada o bloques de hormigón para proporcionar una base sólida y nivelada para la unidad exterior. Esto evita los daños por agua y las vibraciones anormales.

... **en áreas con fuertes vientos:** Ancle firmemente la unidad exterior con pernos y un bastidor metálico. Instale un deflector de aire adecuado.

... **en áreas con nieve (para el modelo de bomba de calor):** Instale la unidad exterior sobre una plataforma elevada a un nivel más alto que el de la nieve. Instale rejillas para la nieve.

##### Al conectar las tuberías de refrigerante

- Mantenga la longitud de todas las tuberías lo más corta posible.
- Utilice el método de abocinado para conectar las tuberías.
- Compruebe con cuidado las fugas antes de realizar la prueba de funcionamiento.

##### Al realizar el mantenimiento

- Desconecte la alimentación en el cuadro principal (red) antes de abrir la unidad para comprobar o reparar piezas eléctricas y el cableado.
- Mantenga alejados los dedos y la ropa de las piezas móviles.
- Limpie la zona antes de finalizar el mantenimiento, recordando comprobar que no quedan en el interior de la unidad residuos metálicos o trozos de cableado.

# Precauciones de seguridad



Para evitar lesiones al usuario o a otras personas y daños materiales, debe seguir las siguientes instrucciones.

- Lea estas instrucciones antes de instalar el aire acondicionado.
- Observe las precauciones especificadas en este manual, ya que incluyen indicaciones importantes relacionadas con la seguridad.
- El uso incorrecto ocasionado al ignorar las instrucciones puede causar lesiones o daños. La gravedad se clasifica mediante las siguientes indicaciones.

**⚠ ADVERTENCIA** Este símbolo indica la posibilidad de muerte o lesiones graves.

**⚠ ATENCIÓN** Este símbolo indica la posibilidad de lesiones o daños materiales.

- A continuación se muestran los significados de los símbolos utilizados en este manual.

	<b>No lo haga.</b>
	<b>Siga las instrucciones.</b>

## ⚠ ADVERTENCIA

### ■ Instalación

**Realice siempre la conexión de la toma de tierra.**

**No utilice un cable de alimentación, una clavija o un enchufe flojo que estén dañados.**

**Para la instalación del producto, póngase siempre en contacto con el centro de servicio técnico o con una empresa de instalaciones especializada.**

- Si no lo hace, podría producirse una descarga eléctrica.
- Si lo hace, podría producirse un incendio o descarga eléctrica.
- De lo contrario, podría producirse un incendio, descarga eléctrica, explosión o daños.

**Ajuste firmemente la cubierta de la parte eléctrica en la unidad interior y el panel de servicio en la unidad exterior.**

**Instale siempre un interruptor diferencial para el aire acondicionado y el cuadro de maniobra correspondiente.**

**No almacene ni utilice gases inflamables o combustibles cerca del aire acondicionado.**

- Si la cubierta de la parte eléctrica de la unidad interior y el panel de servicio de la unidad exterior no están ajustados firmemente, podría producirse un incendio o descarga eléctrica debido al polvo, agua, etc.
- Si no lo instala, podría producirse un incendio y una descarga eléctrica.
- De lo contrario, podría producirse un incendio o una avería del aparato.

**Asegúrese de que el bastidor de instalación de la unidad exterior no está dañado debido a un uso prolongado.**

- Podría producir daños o un accidente.

**No desmonte ni modifique los productos sin causa justificada.**

- Podría producirse un incendio o una descarga eléctrica.

**No instale el aparato en un lugar donde pueda caerse.**

- De lo contrario, podrían producirse daños personales.

**Tenga cuidado cuando lo desembale e instale.**

- Los bordes afilados pueden producir daños.

## ■ Funcionamiento

**No comparta el enchufe con otros aparatos.**

- Podría producirse una descarga eléctrica o incendio debido a la generación de calor.

**No utilice un cable de alimentación dañado.**

- Si lo hace, podría producirse un incendio o una descarga eléctrica.

**No modifique ni alargue el cable de alimentación sin causa justificada.**

- Si lo hace, podría producirse un incendio o una descarga eléctrica.

**Tenga cuidado de no estirar el cable de alimentación durante el funcionamiento.**

- Si lo hace, podría producirse un incendio o una descarga eléctrica.

**Desenchufe la unidad si emite un sonido extraño, olores o humo.**

- Si no lo hace, podría producirse una descarga eléctrica o un incendio.

**Manténgala alejada de llamas.**

- De lo contrario, podría producirse un incendio.

**Si es necesario desenchufar el cable de alimentación, hágalo sujetando la cabeza de la clavija y no lo toque con las manos húmedas.**

- De lo contrario, podría producirse un incendio o una descarga eléctrica.

**No utilice el cable de alimentación cerca de generadores de calor.**

- Si lo hace, podría producirse un incendio o una descarga eléctrica.

**No abra la entrada de aspiración de la unidad interior/exterior durante el funcionamiento.**

- Si lo hace, podría producirse una descarga eléctrica y una avería.

**No permita que entre agua en las partes eléctricas.**

- De lo contrario, podría producirse una avería en la unidad o una descarga eléctrica.

**Sujete la clavija por la cabeza cuando la saque.**

- Podría producirse una descarga eléctrica y daños.

**No toque nunca las partes metálicas de la unidad cuando retire el filtro.**

- Son afiladas y pueden producir lesiones.

**No se suba sobre la unidad interior/exterior ni coloque nada sobre ellas.**

- Podrían producirse daños debido al desplome o caída de la unidad.

**Si el aparato se ha sumergido en agua, póngase siempre en contacto con el centro de servicio técnico.**

- De lo contrario, podría producirse un incendio o una descarga eléctrica.

**No coloque ningún objeto pesado sobre el cable de alimentación.**

- Si lo hace, podría producirse un incendio o una descarga eléctrica.

**Vigile que los niños no se suban a la unidad exterior.**

- Si lo hacen, podrían resultar gravemente lesionados debido a una caída.

## ATENCIÓN

### ■ Instalación

**Instale la manguera de drenaje para asegurar que el drenaje pueda realizarse correctamente.**

- De lo contrario, podrían producirse fugas de agua.

**Instale el aparato de modo que el ruido o el aire caliente procedente de la unidad exterior no cause molestias a los vecinos.**

- De lo contrario, podrían producirse disputas con los vecinos.

**Compruebe siempre si existen pérdidas de gas después de instalar o reparar la unidad.**

- Si no lo hace, podría producirse una avería en la unidad.

**Instale la unidad bien nivelada.**

- Si no lo hace, podrían producirse vibraciones o fugas de agua.

### ■ Funcionamiento

**Evite un enfriamiento excesivo y ventile frecuentemente.**

- De lo contrario, podría perjudicar su salud.

**Utilice un paño suave para limpiar la unidad. No utilice cera, disolvente ni un detergente fuerte.**

- Podría deteriorarse el aspecto del aire acondicionado, cambiar el color o producirse desperfectos en su superficie.

**No utilice el aparato para una finalidad especial como el acondicionamiento para animales o vegetales, máquinas de precisión o la conservación de artículos de arte.**

- Si lo hace, podrían producirse daños en sus propiedades.

**No coloque ningún obstáculo alrededor de las entradas o salidas de aire.**

- Si lo hace, podría producirse una avería en el aparato o un accidente.

# Introducción

## Símbolos utilizados en este manual



Este símbolo le avisa del riesgo de descarga eléctrica.

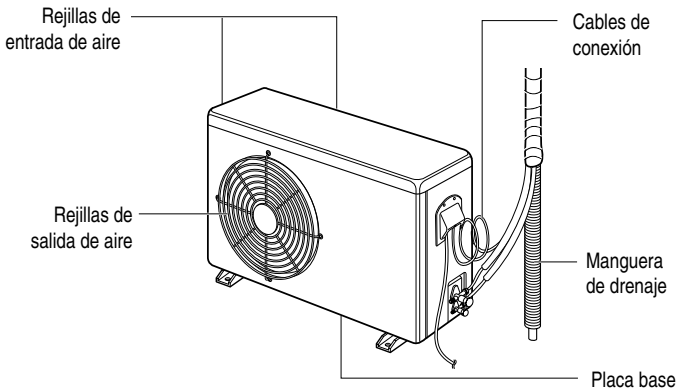
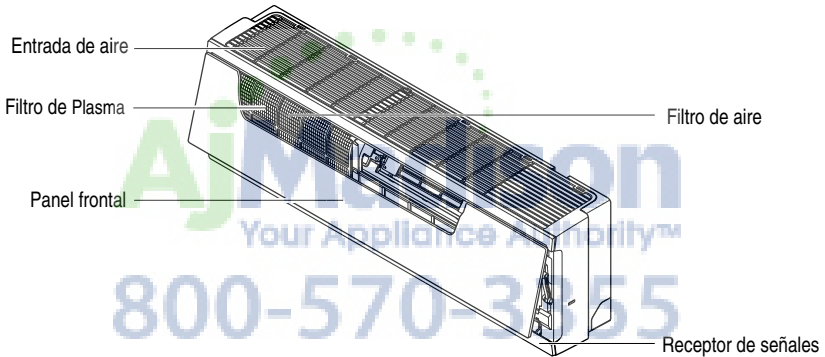


Este símbolo le avisa de riesgos que pueden producir daños al aire acondicionado.

### **NOTA**

Este símbolo indica notas especiales.

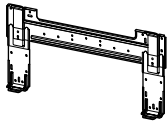
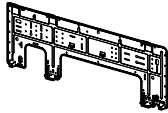






## Características



# Instalación

Lea atentamente y siga las instrucciones paso a paso.

## Piezas para la instalación

Tipo 1	Tipo 2
Placa de instalación	Placa de instalación
	
Tornillo tipo "B"	Tornillo tipo "B"
	
Tornillo tipo "A" (6 EA)	Tornillo tipo "A" (8 EA)
	
Soporte del mando a distancia	Soporte del mando a distancia
	

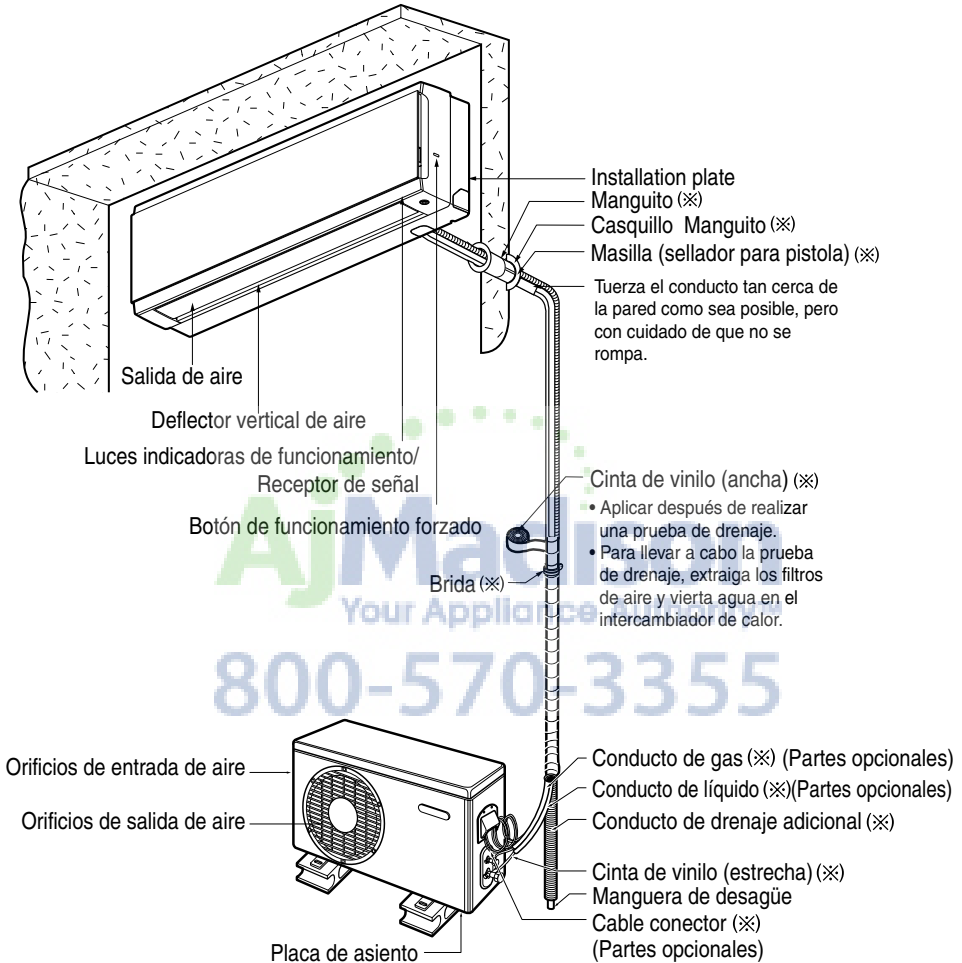
## Herramientas para la instalación

Figura	Nombre	Figura	Nombre
	Destornillador		Ohmímetro
	Taladradora eléctrica		Llave hexagonal
	Cinta métrica, cuchillo		Amperímetro
	Broca corona		Detector de fugas de gas
	Llave inglesa		Termómetro, medidor horizontal
	Llave dinamométrica		Equipo de herramientas de abocinamiento

## Diagrama de instalación

### NOTA

Piezas de instalación que debe comprar (※)

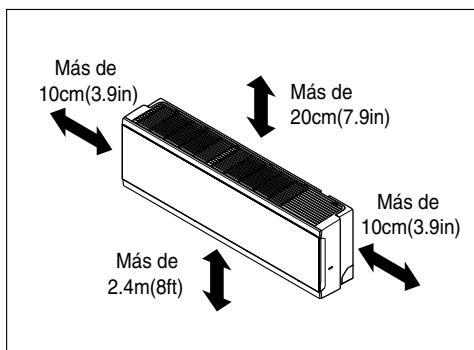


NOTA: el grosor de la línea de refrigeración debe ser de al menos 0,8 mm (0,031 pulg.)

## Selección de la mejor ubicación

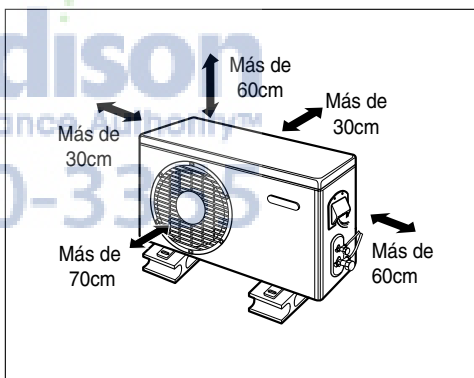
### Unidad interior

1. No coloque generadores de calor o vapor cerca de la unidad.
2. Seleccione un lugar donde no haya obstáculos frente a la unidad.
3. Asegúrese de que el drenaje de condensación pueda conducirse convenientemente.
4. No instale la unidad cerca de una puerta.
5. Asegúrese de que el espacio entre la pared y el lateral izquierdo (o derecho) de la unidad sea superior a 10 cm. La unidad debe instalarse en la pared a la mayor altura posible, manteniendo un mínimo de 20 cm hasta el techo.
6. Use un detector de metales o un localizador de pernos para evitar ocasionar daños innecesarios a la pared.



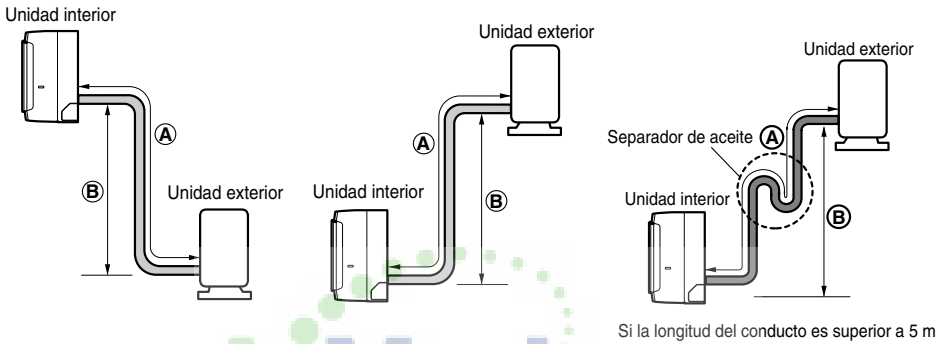
### Unidad exterior

1. Si se coloca un toldo sobre la unidad para evitar la luz solar directa o la exposición a la lluvia, asegúrese de que la radiación de calor del condensador no quede restringida.
2. Asegúrese de que el espacio alrededor de la parte posterior y los laterales es superior a 30 cm. Delante de la parte frontal de la unidad debe dejar un espacio superior a 70 cm.
3. No coloque animales ni plantas expuestos directamente al aire caliente.
4. Tenga en cuenta el peso del aire acondicionado y seleccione un lugar donde se produzca el mínimo ruido y vibración.
5. Seleccione un lugar donde el aire caliente y el ruido del aire acondicionado no moleste a los vecinos.



## Longitud de conductos y elevación

Capacidad (Btu/h)	Tamaño del conducto		Longitud estándar (m)	Elevación máxima B (m)	Elevación máxima A (m)	Refrigerante adicional (g/m)
	GAS	LÍQUIDO				
9k, 12k	9.52 (3/8")	6.35(1/4")	7.5	7	15	20
18k	12.7(1/2")	6.35(1/4")	7.5	7	15	20
24k	15..88(5/8")	9.52(3/8")	7.5	15	30	30



### ⚠ ATENCIÓN

La capacidad está basada en la longitud estándar y la longitud máxima tolerada está basada en la fiabilidad.

El separador de aceite debe instalarse cada 5~7 metros.

**AjMadison**  
Your Appliance Authority™  
800-570-3355

## Fijación de la placa de instalación

La pared que seleccione debe ser suficientemente fuerte y sólida para evitar vibraciones.

1. Monte la placa de instalación en la pared con los tornillos tipo "A". Si monta la unidad en una pared de hormigón, utilice pernos de anclaje.

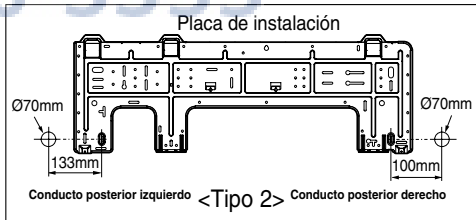
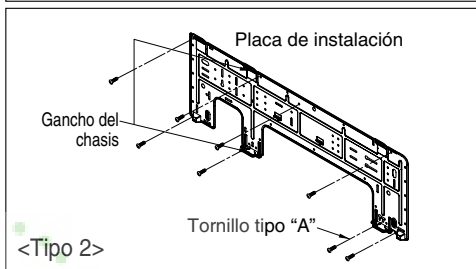
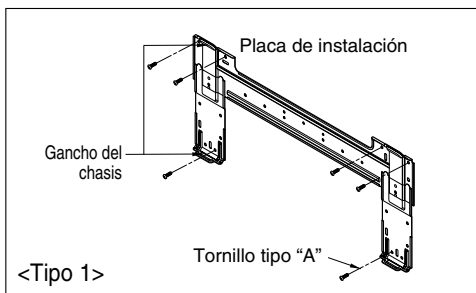
- Monte la placa de instalación horizontalmente alineando la línea de centros utilizando un nivel.

2. Mida la pared y marque la línea de centros. También es importante prestar atención a la localización de la placa de instalación, ya que el trazado del cableado hacia los enchufes se realiza normalmente por la pared. El taladrado de agujeros en la pared para las conexiones de los conductos debe realizarse con seguridad.

<Tipo 1>

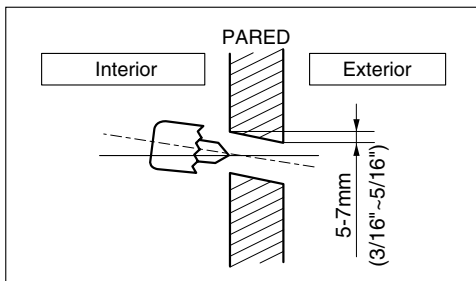
Capacidad (Btu/h)	Distancia (mm)			
	A	B	C	D
SE1 (9k, 12k)	70(2.8)	110(4.3)	90(3.5)	110(4.3)
S8 (18k, 24k)	100(3.9)	122(4.8)	240(9.5)	122(4.8)

3. Instale tras desmontar una de las fases de corte indicadas por la ubicación de instalación de los conductos pertenecientes a la unidad interior.



## Taladrado en la pared

- Taladre el agujero del conducto con una broca corona de 70 mm Ø. Taladre el agujero del conducto, a la derecha o izquierda, ligeramente inclinado hacia el lado exterior.

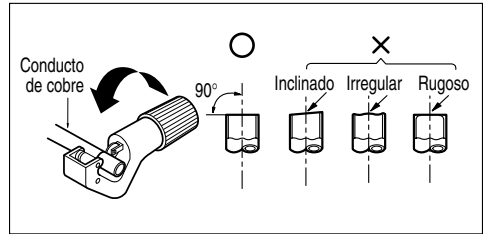


## Trabajo de abocinamiento

La principal causa de las pérdidas de gas se debe a defectos en los trabajos de abocinamiento. Realice correctamente el trabajo de abocinamiento mediante el siguiente procedimiento.

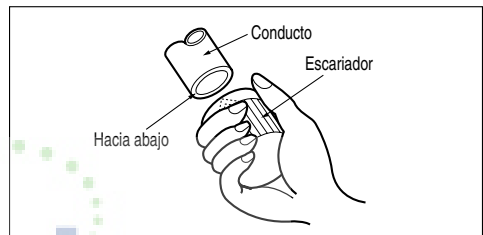
### Cortado de tubos.

1. Utilice el equipo de conductos opcional o los conductos comprados.
2. Mida la distancia entre la unidad interior y la unidad exterior.
3. Corte los conductos con una longitud un poco superior a la longitud medida.
4. Corte el cable 1,5 m más largo que la longitud del conducto.



### Eliminación de rebabas

1. Elimine completamente todas las rebabas de la sección transversal de corte del conducto/tubo.
2. Para evitar la caída de rebabas en el interior de la tubería, coloque el extremo del conducto/tubo de cobre hacia abajo y elimine las rebabas.



### Colocación de la tuerca

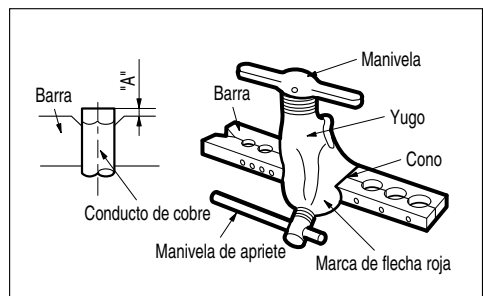
- Retire las tuercas de abocinamiento incorporadas a la unidad interior y exterior, y a continuación, colóquelas en el conducto/tubo después de haber eliminado completamente las rebabas. (No es posible colocarlas después del trabajo de abocinamiento)



### Trabajo de abocinamiento

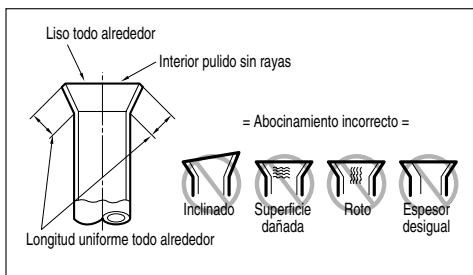
1. Sujete firmemente el tubo de cobre en la dimensión indicada en la siguiente tabla.
2. Realice el trabajo de abocinamiento con las herramientas de abocinamiento.

Diámetro exterior		A
mm	pulgadas	mm
Ø6.35	1/4	1.1~1.3
Ø9.52	3/8	1.5~1.7
Ø12.7	1/2	1.6~1.8
Ø15.88	5/8	1.6~1.8
Ø19.05	3/4	1.9~2.1



## Comprobación

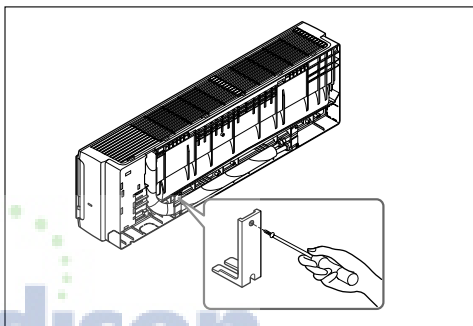
1. Compare el trabajo de abocinamiento con la figura.
2. Si una sección abocinada es defectuosa, córtela y realice de nuevo el trabajo de abocinamiento.



## Conexión de conductos

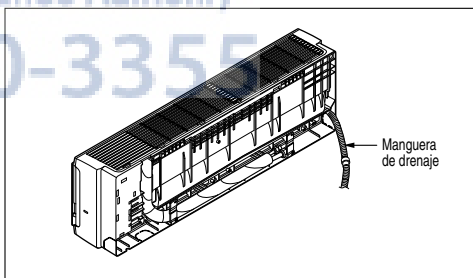
### Interior

1. Prepare el conducto y la manguera de drenaje de la unidad interior para su instalación a través de la pared.
2. Retire el dispositivo de retención de plástico de las tuberías (consulte la ilustración) y saque la tubería y la manguera de drenaje del chasis.
3. Vuelva a colocar en la posición original solo el soporte 1 de conductos de plástico, no el soporte 2.



### Salida posterior derecha del conducto

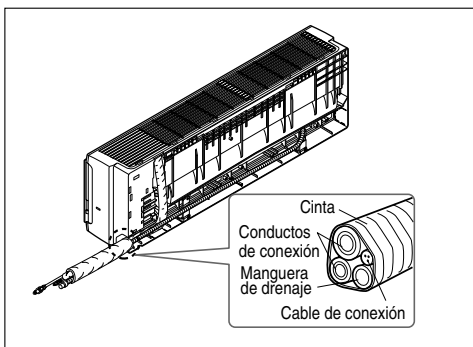
1. Dirija la tubería y la manguera de drenaje de la unidad interior hacia la parte posterior derecha.
2. Inserte el cable de conexión en la unidad interior desde la unidad exterior a través del agujero del conducto.
  - No conecte el cable a la unidad interior.
  - Realice un pequeño bucle con el cable para una conexión posterior más fácil.
3. Encinte las tuberías, manguera de drenaje y el cable de conexión. Asegúrese de que la manguera de drenaje esté situada en la parte inferior del conjunto. Si se coloca en la parte superior es posible que el depósito de drenaje se derrame en el interior de la unidad.



## ⚠ ATENCIÓN

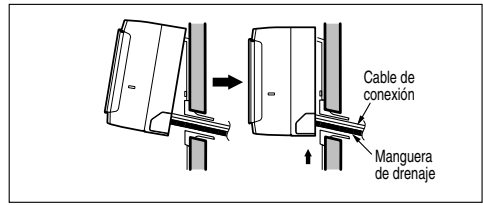
Si la manguera de drenaje es conducida por el interior de la habitación, aisle la manguera con un material de aislamiento\* de modo que el goteo de "exudación" (condensación) no dañe el mobiliario ni el suelo.

- Se recomienda espuma de polietileno o similar.



4. Instalación de la unidad interior

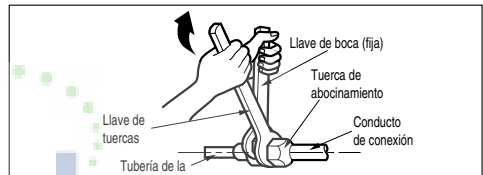
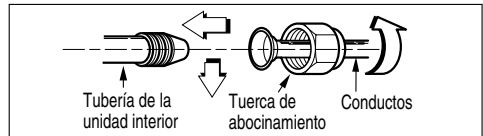
Cuelgue la unidad interior sobre la parte superior de la placa de instalación. (Haga coincidir los dos ganchos de la parte superior posterior de la unidad interior con la parte superior de la placa de instalación). Asegúrese de que los ganchos están fijados adecuadamente sobre la placa de instalación moviéndola a derecha e izquierda.



Presione la parte inferior derecha e izquierda de la unidad contra la placa de instalación hasta que los enganches se ajusten en sus ranuras (hasta que hagan clic).

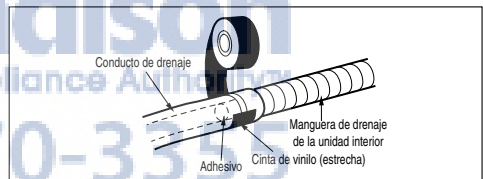
**Conexión de los conductos a la unidad interior y de la manguera de drenaje al conducto de drenaje**

1. Alinee el centro de los conductos y apriete suficientemente la tuerca de abocinamiento a mano.
2. Apriete la tuerca de abocinamiento con una llave de tuercas.



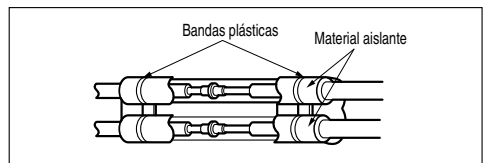
Diámetro exterior		Apriete	
mm	pulgadas	kgf·m	lbf·ft
Ø6.35	1/4	1.8~2.5	13~18
Ø9.52	3/8	3.4~4.2	24.6~30.4
Ø12.7	1/2	5.5~6.6	39.8~47.7
Ø15.88	5/8	6.3~8.2	45.6~59.3

3. Cuando extienda la manguera de drenaje en la unidad interior, instale el conducto de drenaje.

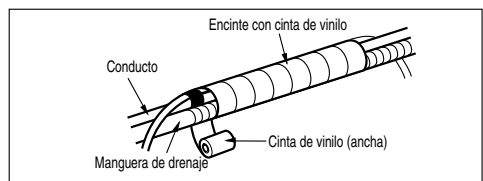
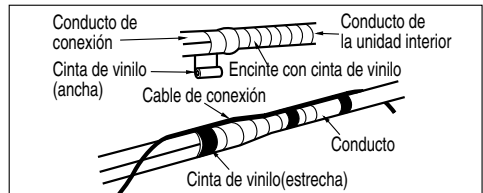


**Envuelva con material de aislamiento el tramo de conexión.**

1. Solape el material de aislamiento del conducto de conexión y el material de aislamiento del conducto de la unidad interior. Encinte el conjunto con cinta de vinilo de modo que no queden huecos.
2. Encinte el área que alberga la sección posterior del alojamiento de los conductos con cinta de vinilo.



3. Encinte suficientemente el conjunto de los conductos y la manguera de drenaje con cinta de vinilo para cubrirlo en el punto en que entran en la sección posterior del alojamiento de los conductos.

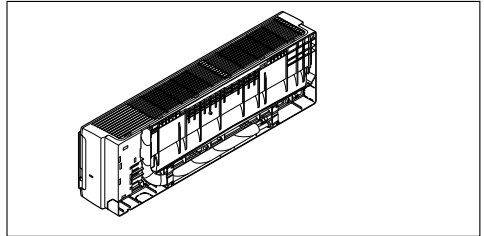
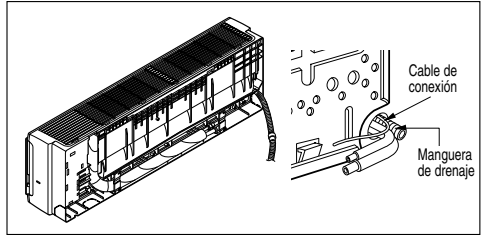


ESPAÑOL

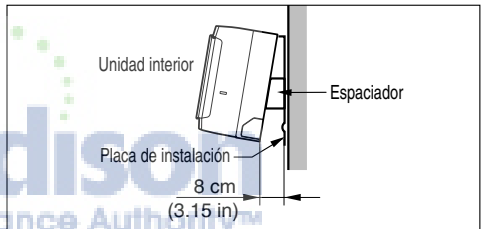
800-570-3355

### Salida posterior izquierda del conducto

1. Dirija la tubería y la manguera de drenaje de la unidad interior hacia la posición del agujero de conductos.
2. Inserte los conductos, la manguera de drenaje y el cable de conexión en el agujero de conductos.
3. Inserte el cable de conexión en la unidad interior.
  - No conecte el cable a la unidad interior.
  - Realice un pequeño bucle con el cable para una conexión posterior más fácil.
4. Encinte la manguera de drenaje y el cable de conexión.

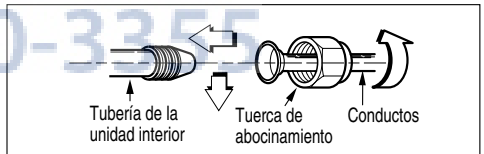


5. Instalación de la unidad interior
  - Cuelgue la unidad interior sobre la parte superior de la placa de instalación.
  - Inserte el espaciador, etc. entre la unidad interior y la placa de instalación y separe la parte inferior de la unidad interior de la pared.

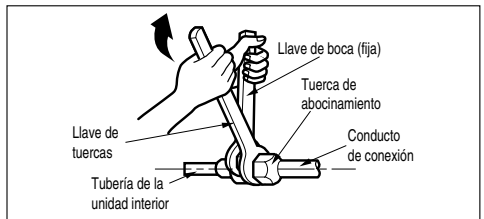


### Conexión de los conductos a la unidad interior y de la manguera de drenaje al conducto de drenaje.

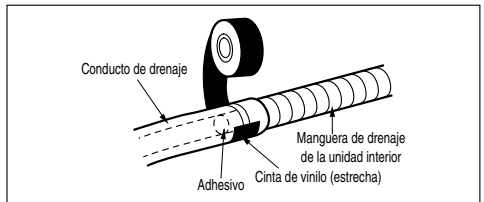
1. Alinee el centro de los conductos y apriete suficientemente la tuerca de abocinamiento a mano.
2. Apriete la tuerca de abocinamiento con una llave de tuercas.



Diámetro exterior		Apriete	
mm	pulgadas	kgf-m	lbf-ft
Ø6.35	1/4	1.8~2.5	13~18
Ø9.52	3/8	3.4~4.2	24.6~30.4
Ø12.7	1/2	5.5~6.6	39.8~47.7
Ø15.88	5/8	6.3~8.2	45.6~59.3

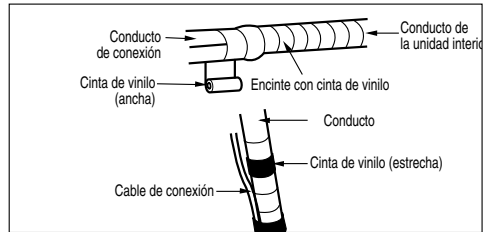
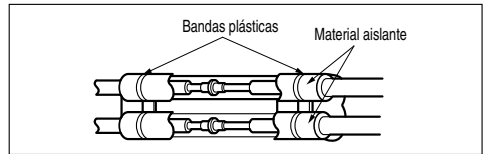


3. Cuando extienda la manguera de drenaje en la unidad interior, instale el conducto de drenaje.

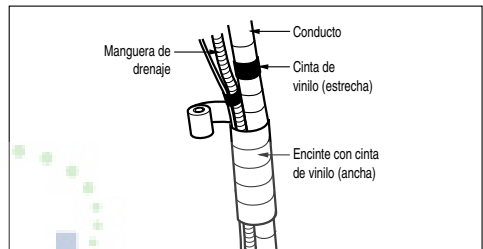


**Envuelva con material de aislamiento el tramo de conexión.**

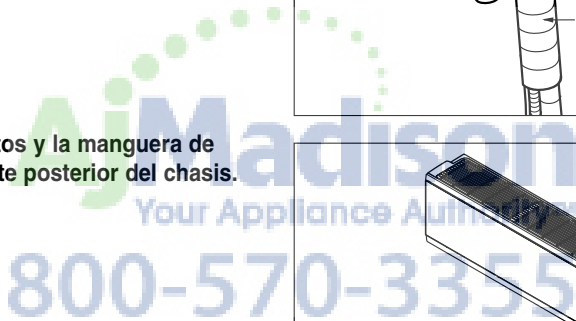
1. Solape el aislamiento térmico del conducto de conexión y el material de aislamiento térmico del conducto de la unidad interior. Encinte el conjunto con cinta de vinilo de modo que no queden huecos.
2. Encinte el área que alberga la sección posterior del alojamiento de los conductos con cinta de vinilo.

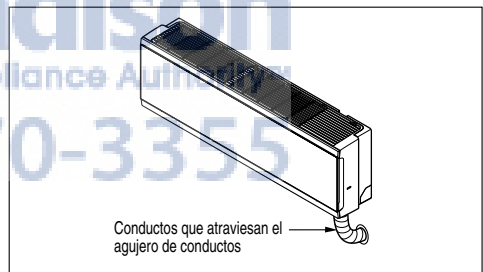


3. Encinte el conjunto de los conductos y la manguera de drenaje con cinta de tela en el tramo en que entra en la sección posterior del alojamiento de los conductos.



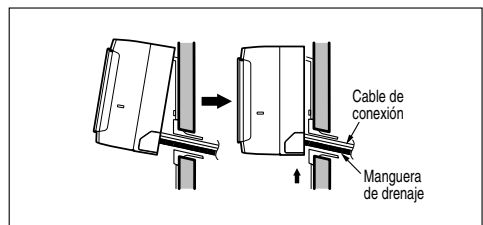
**Redirija los conductos y la manguera de drenaje hacia la parte posterior del chasis.**


  
 Your Appliance Authority
   
 800-570-3355



**Instalación de la unidad interior**

1. Retire el espaciador.
2. Asegúrese de que los ganchos están fijados adecuadamente sobre la placa de instalación moviéndola a derecha e izquierda.
3. Presione la parte inferior derecha e izquierda de la unidad contra la placa de instalación hasta que los enganches se ajusten en sus ranuras (hasta que hagan clic).



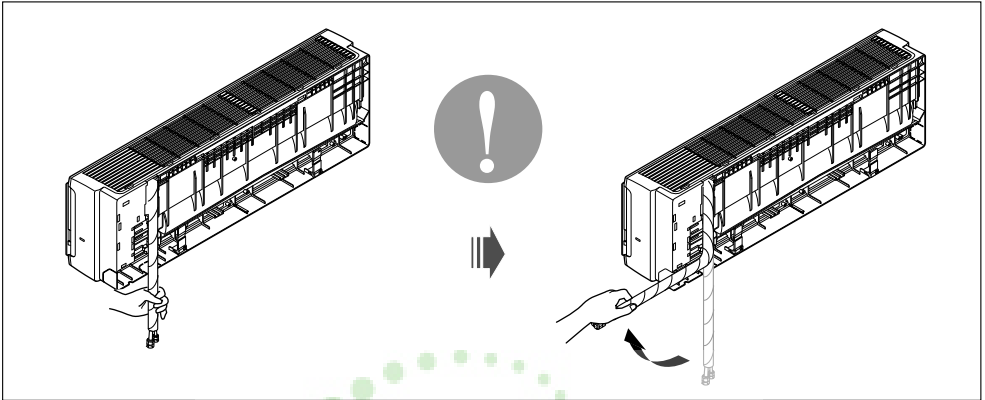
ESPAÑOL

## ⚠ ATENCIÓN

Información de instalación para conductos a la izquierda.  
Siga las siguientes instrucciones.

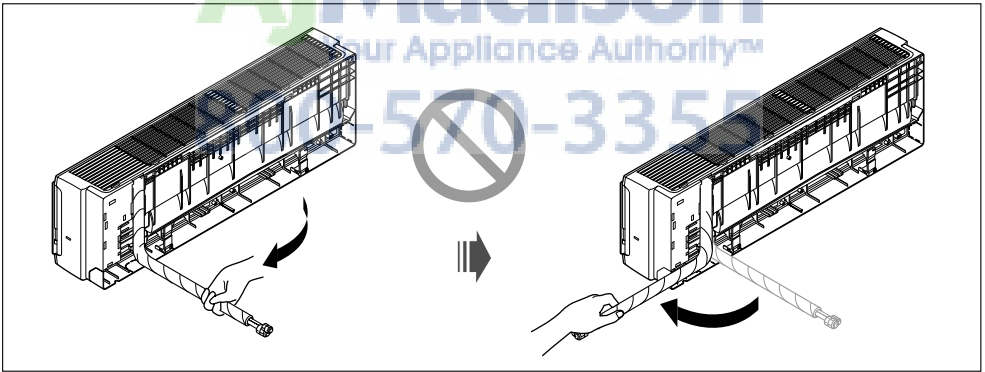
### Correcto

- Presione sobre la parte superior de la abrazadera y desdoble suavemente las tuberías hacia abajo.



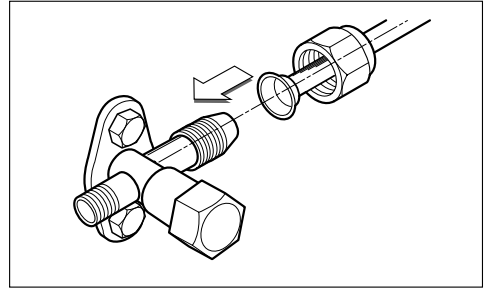
### Incorrecto

- Si realiza giros a derecha e izquierda puede ocasionar daños a las tuberías.



## Exterior

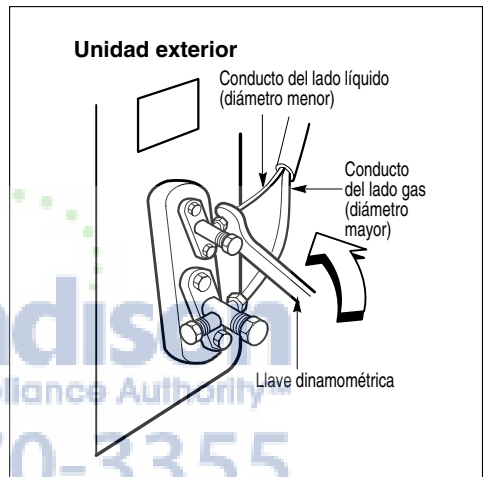
Alinee el centro de los conductos y apriete suficientemente la tuerca de abocinamiento a mano.



Finalmente, apriete la tuerca de abocinamiento con una llave dinamométrica hasta el tope de la llave.

- Cuando apriete la tuerca de abocinamiento con la llave dinamométrica, asegúrese de que la dirección de apriete es la indicada por la flecha de la llave.

Diámetro exterior		Apriete	
mm	pulgadas	kgf-m	lbf-ft
Ø6.35	1/4	1.8~2.5	13~18
Ø9.52	3/8	3.4~4.2	24.6~30.4
Ø12.7	1/2	5.5~6.6	39.8~47.7
Ø15.88	5/8	6.3~8.2	45.6~59.3
Ø19.05	3/4	9.9~12.1	71.6~87.5



ESPAÑOL

## Conexión de cables

### Interior

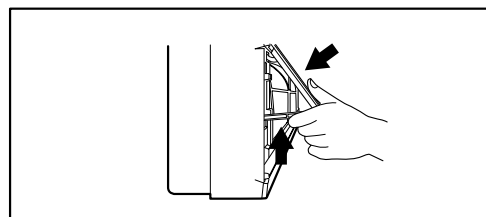
Conecte el cable a la unidad interior conectando por separado los cables a los terminales del panel de control de acuerdo con la conexión de la unidad exterior. (Asegúrese de que el color de los cables de la unidad exterior y el número de terminal son los mismos que los de la unidad interior).

## ⚠ ATENCIÓN

### Método de uso del panel frontal.

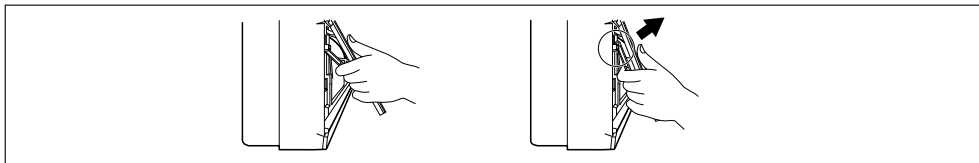
#### 1. Cierre del panel frontal

Desplace la articulación de unión hacia arriba y cierre el panel frontal.



## 2. Desmontaje del panel frontal

Eleve la articulación de unión para enganchar el soporte, y desmonte el panel frontal hacia delante.

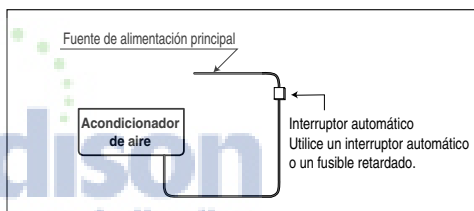


### ⚠ ATENCIÓN

- El esquema del circuito no está sujeto a cambio sin previo aviso.
  - Asegúrese de conectar los cables de acuerdo con el esquema de cableado.
  - El cable de toma a tierra debe ser más largo que el resto de los cables.
- Cuando realice la instalación, consulte el esquema eléctrico situado detrás del panel frontal de la unidad interior.
- El cableado para la unidad exterior puede encontrarse en el interior de la cubierta de control de la unidad exterior.
- Conecte firmemente los cables de manera que no puedan sacarse fácilmente.
  - Conecte los cables de acuerdo con los códigos de color consultando el esquema de cableado.

### ⚠ ATENCIÓN

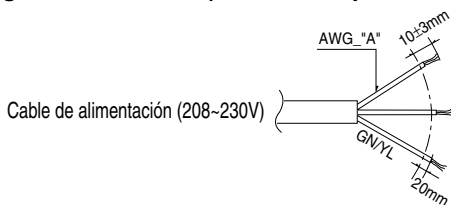
Instale un interruptor automático entre la fuente de alimentación y la unidad exterior como se muestra a continuación.



Disyuntor (A)	Grado(Btu/h)		
	9k-12k	18k	24k
15	20	25	

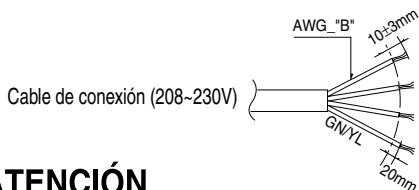
### ⚠ ATENCIÓN

El cable de alimentación conectado a la unidad exterior debe cumplir las siguientes normas (reconocido por ETL y certificado por CSA).



alimentación	Grado(Btu/h)	
	9/12/18k	24k
"A"	14	12

El cable de conexión a la red conectado a la unidad interior y exterior debe cumplir las siguientes normas (reconocido por ETL y certificado por CSA).



alimentación	Grado(Btu/h)
	9/12/18k/24k
"B"	18

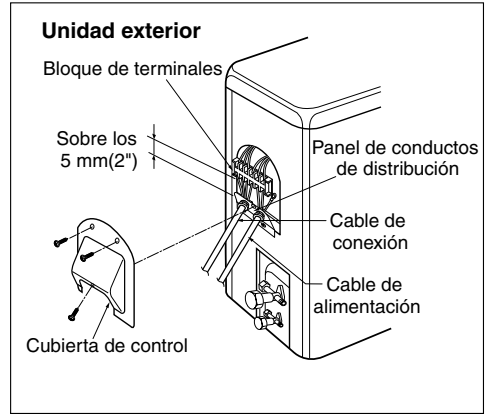
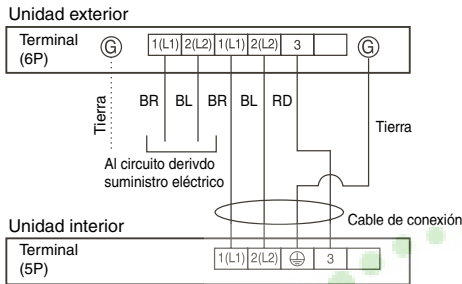
### ⚠ ATENCIÓN

Cuando utilice el cable independiente como cable de alimentación, fije éste en el panel de la caja de control utilizando una abrazadera plástica como elemento de fijación.

## Exterior

1. Retire la cubierta de control de la unidad aflojando el tornillo.  
Conecte por separado los cables a los terminales en la placa de control de la siguiente manera.
2. Fije el cable a la placa de control con el soporte (abrazadera).
3. Vuelva a montar la cubierta de control en su posición original con el tornillo.

### Diagrama de cableado



## NOTA

1. Instale por separado la línea de alto y bajo voltaje.
2. Utilice cableado resistente al calor capaz de soportar una temperatura de hasta 75°C (167°F).
3. Utilice cable de conexión impermeable para exterior de más de 300V para la conexión entre la unidad interior y exterior. (Por ejemplo, Tipo SJO-WA)

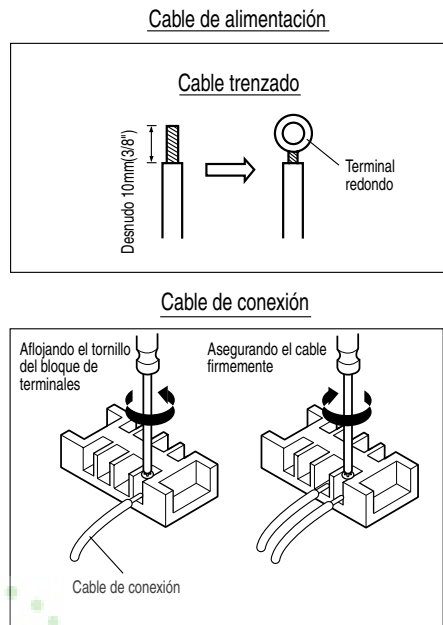
## ⚠ ADVERTENCIA

- **Asegúrese de cumplir con la legislación local al conectar el cable desde la unidad interior a la unidad exterior (tamaño del cable y método de cableado, etc.).**
- **Todos los cables deben conectarse firmemente.**
- **No permita que ningún cable entre en contacto con la tubería de refrigerante, el compresor o cualquier parte móvil.**

## Cómo conectar los cables a los terminales

Para cable trenzado

- (1) Corte el extremo del cable con un cortador de cables o unos alicates de corte de cables y, a continuación, retire el aislamiento para que el cable trenzado quede desnudo unos 10mm (3/8").
- (2) Utilizando un destornillador, retire el tornillo o tornillos de la placa de terminales.
- (3) Utilizando una abrazadera o alicates para terminal redondo, fije firmemente cada extremo de cable desnudo con un terminal redondo.
- (4) Posicione el cable del terminal redondo y reemplace y apriete el tornillo del terminal utilizando un destornillador.



### ⚠ ATENCIÓN

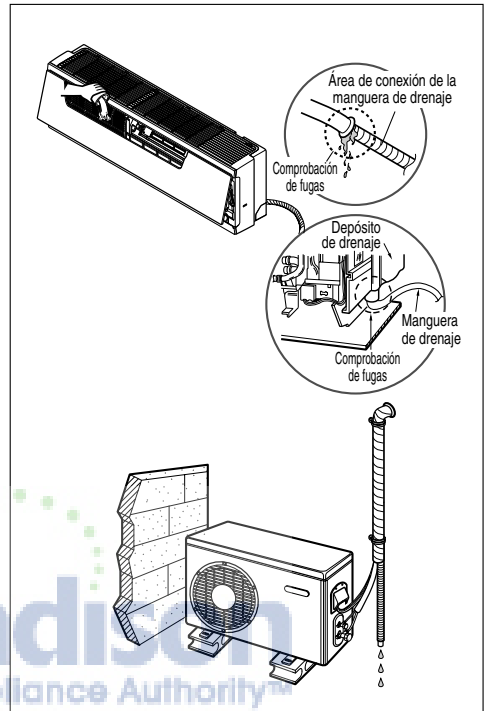
Después de confirmar las condiciones anteriores, prepare el cableado como se indica a continuación.

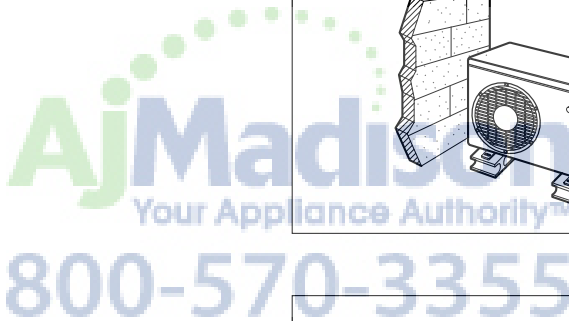
1. Disponga siempre de un circuito de alimentación individual para el aire acondicionado. Para el método de cableado, guíese por el esquema del circuito situado en el interior de la tapa del panel de control.
2. Los tornillos de apriete del cableado situados en la caja de conexiones eléctricas pueden aflojarse debido a las vibraciones que puede sufrir la unidad durante su transporte. Compruébelos y asegúrese de que están firmemente apretados. (Si están flojos, los cables podrían quemarse).
3. Especificación de la fuente de alimentación.
4. Confirme que la capacidad eléctrica es suficiente.
5. Verifique que el voltaje de arranque se mantiene a más del 90% del voltaje nominal indicado en la placa de características.
6. Confirme que la sección del cable es la especificada en la especificación de la fuente de alimentación. (Tenga en cuenta especialmente la relación entre la longitud del cable y su sección).
7. En entornos húmedos o mojados, instale siempre un interruptor diferencial.
8. Una caída de voltaje puede producir lo siguiente:
  - Vibración del interruptor magnético que puede producir daños en el punto de contacto, fusión del fusible y trastornos de la función normal de sobrecarga.
9. Los medios para la desconexión de una fuente de alimentación pueden incorporarse en el cableado fijo y deben tener una separación de contacto en aire de al menos 3 mm en cada conductor activo (fase).

## Comprobación del drenaje

### Para comprobar el drenaje

1. Vierta un vaso de agua en el evaporador.
2. Asegúrese de que el agua fluye a través de la manguera de drenaje de la unidad interior sin ninguna fuga y que sale por la salida de drenaje.

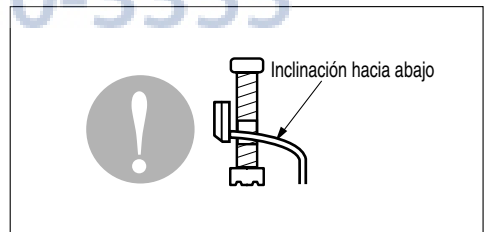



  
 Your Appliance Authority™
   
 800-570-3355

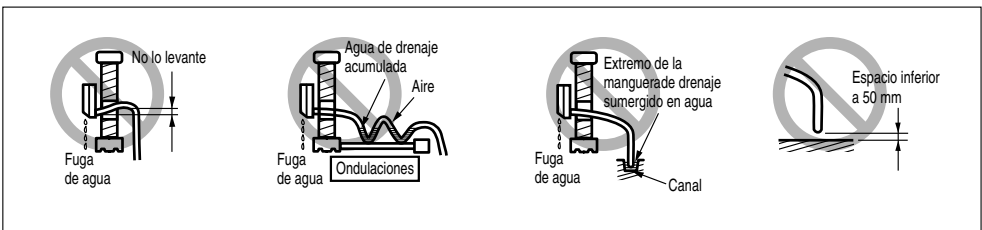
ESPAÑOL

### Conductos de drenaje

1. La manguera de drenaje debe dirigirse hacia abajo para facilitar el drenaje.



2. No instale el conducto de drenaje como se indica.



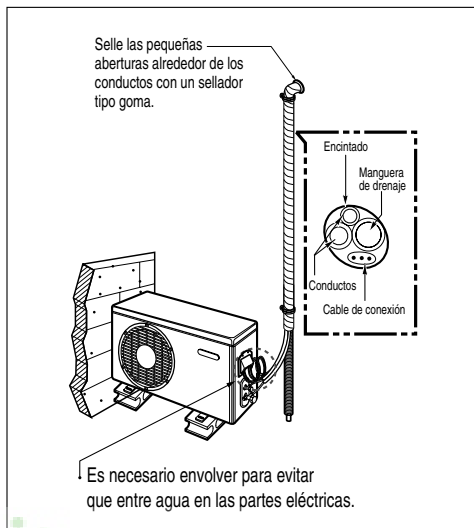
## Formación de conductos

**Forme los conductos encintando el tramo de conexión de la unidad interior con material de aislamiento y asegúrelos con dos tipos de cinta de vinilo.**

- Si desea conectar una manguera de drenaje adicional, el extremo de la salida de drenaje debe dirigirse hacia el suelo. Sujete la manguera de drenaje adecuadamente.

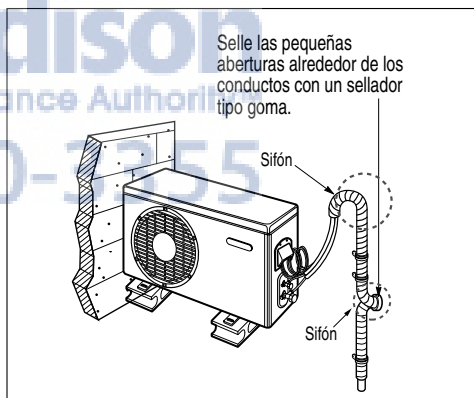
**Cuando la unidad exterior se instala por debajo de la unidad interior haga lo siguiente.**

1. Encinte los conductos, la manguera de drenaje y el cable de conexión desde abajo hasta arriba.
2. Sujete los conductos encintados a lo largo de la pared exterior utilizando placas de apoyo o equivalentes.



**Cuando la unidad exterior se instala por encima de la unidad interior haga lo siguiente.**

1. Encinte los conductos y el cable de conexión desde abajo hasta arriba.
2. Sujete los conductos encintados a lo largo de la pared exterior. Forme un sifón para evitar la entrada de agua en la habitación.
3. Fije los conductos a la pared utilizando placas de apoyo o equivalentes.



## Purga de aire

### Purga de aire

El aire y la humedad remanentes en el sistema refrigerante tienen los siguientes efectos indeseables.

1. Se incrementa la presión en el sistema.
2. Se incrementa el consumo eléctrico.
3. Disminuye la eficacia del enfriamiento (o calentamiento).
4. La humedad en el circuito refrigerante puede congelarse y bloquear los tubos capilares.
5. El agua puede ocasionar corrosión de piezas del sistema de refrigeración.

Por lo tanto, después de vaciar el sistema, realice una prueba de fugas en los conductos y tuberías entre la unidad interior y exterior.

### Purga de aire con bomba de vacío

#### 1. Preparación

- Compruebe que cada tubo (tanto del lado gas como del lado líquido) entre la unidad interior y exterior se ha conectado adecuadamente y que se ha completado todo el cableado para la ejecución de la prueba. Retire las tapas de las válvulas de servicio del lado gas y del lado líquido de la unidad exterior. Tenga en cuenta que las válvulas de servicio del lado gas y del lado líquido de la unidad exterior se mantienen cerradas en esta etapa.

#### 2. Prueba de fugas

- Conecte la válvula múltiple (con manómetros) y el cilindro de gas de nitrógeno seco a su puerto de servicio con mangueras de carga.

### ⚠ ATENCIÓN

Asegúrese de utilizar una válvula múltiple para la purga de aire. Si no dispone de ella, utilice para este fin una válvula de retención. La palanca "Hi" de la válvula múltiple siempre debe permanecer cerrada.

- No presurice el sistema a más de 150 P.S.I.G. con gas nitrógeno seco y cierre la válvula del cilindro cuando la lectura del manómetro alcance 150 P.S.I.G. A continuación, compruebe las fugas con líquido jabonoso.

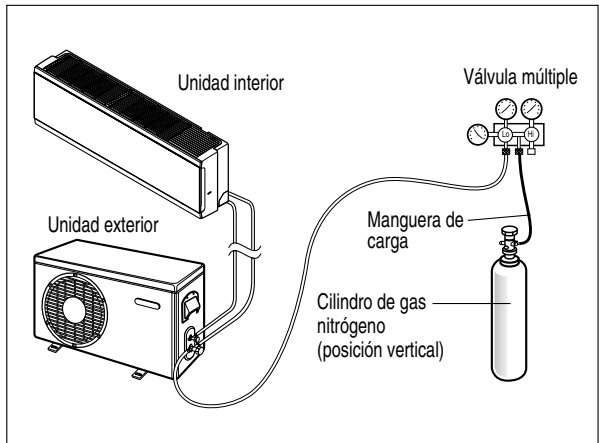
### ⚠ ATENCIÓN

Para evitar la entrada de nitrógeno en estado líquido en el sistema refrigerante, cuando presurice el sistema, el cilindro debe estar en posición vertical con la válvula hacia arriba. Normalmente, el cilindro se utiliza en posición vertical.

1. Realice una prueba de fugas en todas las juntas de las tuberías (interior y exterior) y en las válvulas de servicio del lado gas y del lado líquido.

Las burbujas indican una fuga. Elimine totalmente el jabón con un paño seco.

2. Cuando compruebe que el sistema está libre de fugas, libere la presión de nitrógeno aflojando el conector de la manguera de carga en el cilindro de nitrógeno. Cuando la presión del sistema se reduzca a la normal, desconecte la manguera del cilindro.



## Método del agua jabonosa

1. Retire las tapas de las válvulas de dos vías y tres vías.
2. Retire la tapa del puerto de servicio de la válvula de 3 vías.
3. Para abrir la válvula de 2 vías, gire el vástago de la válvula en sentido contrario a las agujas del reloj aproximadamente 90°, espere entre 2 y 3 segundos y ciérrala.
4. Aplique agua jabonosa o un detergente neutro líquido en la conexión de la unidad interior o en las conexiones de la unidad exterior con un cepillo suave para comprobar las fugas de los puntos de conexión de los conductos.
5. Si hay burbujas, los conductos tienen fugas.

## Vaciado

1. Conecte el extremo de la manguera de carga, como se describe en los pasos anteriores, a la bomba de vacío para vaciar las tuberías y la unidad interior. Confirme que la palanca "Lo" and "Hi" de la válvula múltiple está abierta. A continuación, ponga en marcha la bomba de vacío. La duración de la operación de vaciado varía en función de la longitud de las tuberías y la capacidad de la bomba. La siguiente tabla muestra el tiempo necesario para el vaciado.

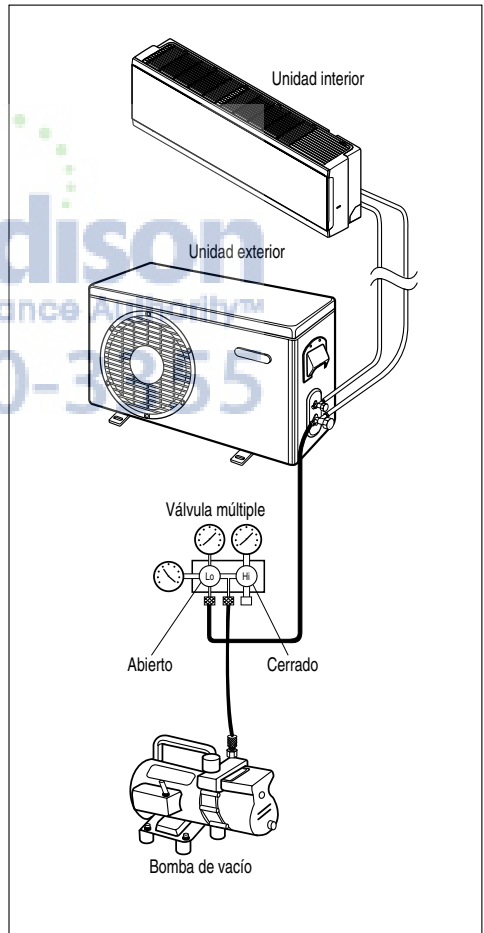
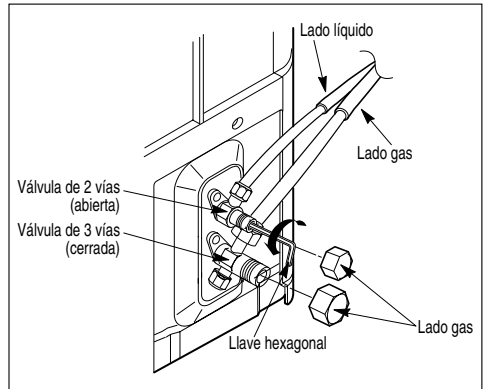
Tiempo necesario para el vaciado cuando se utiliza una bomba de aproximadamente 115 l/h.	
Si la longitud de la tubería es inferior a 10 m	Si la longitud de la tubería es superior a 10 m
10 minutos o más	15 minutos o más

2. Cuando se alcance el vacío deseado, cierre la palanca "Lo" and "Hi" de la válvula múltiple y detenga la bomba de vacío.

## Finalización de la tarea

1. Con una llave para válvula de servicio, gire el vástago de la válvula del lado líquido en sentido contrario a las agujas del reloj para abrirla completamente.
2. Gire el vástago de la válvula del lado gas en sentido contrario a las agujas del reloj para abrirla completamente.
3. Afloje suavemente la manguera de carga conectada al puerto de servicio del lado gas para liberar la presión y, a continuación, retire la manguera.
4. Vuelva a colocar la tuerca de abocinamiento y su sombrerete en el puerto de servicio del lado gas y apriete firmemente la tuerca de abocinamiento con una llave ajustable. Este proceso es muy importante para evitar fugas en el sistema.
5. Vuelva a colocar las tapas de las válvulas en las válvulas de servicio del lado gas y del lado líquido y apriételas firmemente.

Esto completa la purga de aire con una bomba de vacío. El aire acondicionado está ahora preparado para una prueba de funcionamiento.



## Prueba de funcionamiento

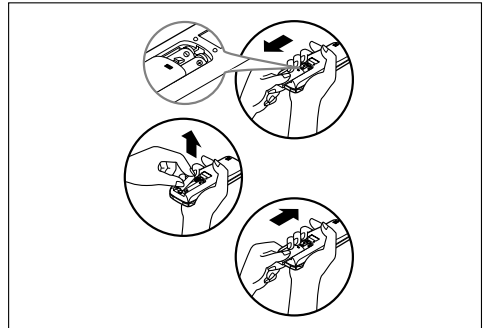
1. Compruebe que todas las tuberías y cables están conectados correctamente.
2. Compruebe que las válvulas de servicio del lado gas y del lado líquido están completamente abiertas.

### Preparación del mando a distancia

1. Retire la tapa de las pilas estirando en la dirección de la flecha.
2. Inserte pilas nuevas asegurándose de que los extremos (+) y (-) de las pilas estén colocados correctamente.
3. Vuelva a colocar la tapa empujándola hasta su posición.

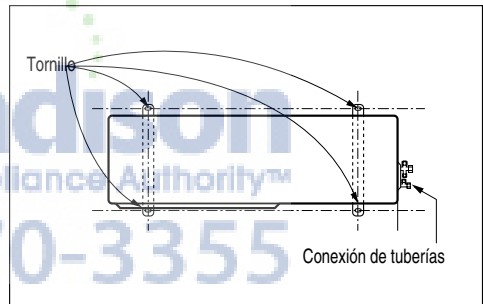
### NOTA

- Utilice 2 pilas AAA (1,5 volt). No utilice pilas recargables.
- Retire las pilas del mando a distancia si el sistema no va a utilizarse durante un largo periodo de tiempo.



### Posicionamiento de la unidad interior

1. Ancle horizontal y firmemente la unidad exterior con un tornillo y una tuerca (10 mm Ø) sobre un soporte rígido o de hormigón.
2. Cuando la instale en una pared, techo o tejado, sujete firmemente la base de montaje con un anclaje o cable teniendo en cuenta la influencia del viento y los terremotos.
3. Si la vibración de la unidad se transmite a la manguera, asegure la unidad con goma antivibración.

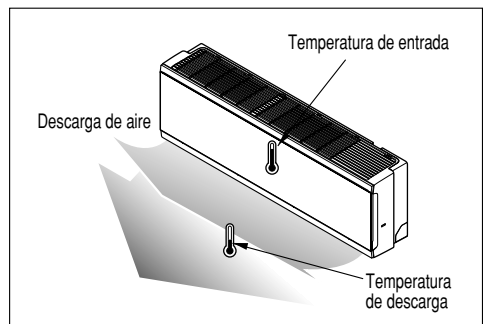


### Evaluación del rendimiento

Ponga en marcha la unidad durante 15-20 minutos y, a continuación, compruebe la carga del sistema refrigerante:

1. Mida la presión de la válvula de servicio del lado gas.
2. Mida la temperatura de entrada y descarga de aire.
3. Compruebe que la diferencia entre la temperatura de entrada y de descarga es superior a 8°C.
4. Como referencia; la presión del lado gas en condiciones óptimas se muestra a continuación (enfriamiento).

El aire acondicionado está ahora preparado para su utilización.



Refrigerante	Temp. ambiente exterior	Presión de la válvula de servicio del lado gas
R410A	35°C (95°F)	8,5-9,5kg/cm²G(120-135 P.S.I.G.)

## **NOTA**

Si la presión actual es superior a la mostrada, es probable que el sistema esté sobrecargado y debe reducir carga. Si la presión actual es inferior a la mostrada, es probable que el sistema esté infracargado y debe añadir carga.

## **RECOGIDA DE GAS**

**Se realiza cuando se cambia de lugar la unidad o cuando se ha llevado a cabo el mantenimiento del circuito refrigerante.**

Recogida de gas significa recoger todo el refrigerante en la unidad exterior sin pérdida de refrigerante.

## **⚠ ATENCIÓN**

Asegúrese de realizar el procedimiento de recogida de gas en modo de enfriamiento.

### **Procedimiento de recogida de gas**

1. Conecte una manguera colectora con el manómetro de baja presión al puerto de carga de la válvula de servicio del lado gas.
2. Abra la mitad de la válvula de servicio del lado gas y purgue el aire en la manguera colectora utilizando el refrigerante.
3. Cierre la válvula de servicio del lado líquido (completamente).
4. Encienda la unidad y ponga en marcha la función de enfriamiento.
5. Cuando la lectura del manómetro de baja presión sea de 1 a 0,5 kg/cm<sup>2</sup>G (14,2 a 7,1 P.S.I.G.), cierre completamente la válvula del lado gas y, a continuación, apague rápidamente la unidad. En este momento, el procedimiento de recogida de gas se ha completado y todo el refrigerante está recogido en la unidad exterior.

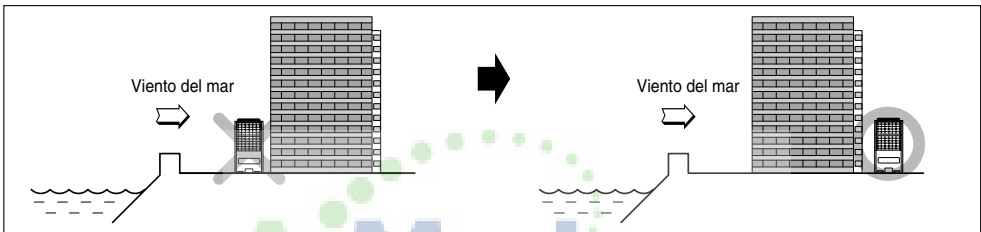
## Guía de instalación junto al mar

### ⚠ ATENCIÓN

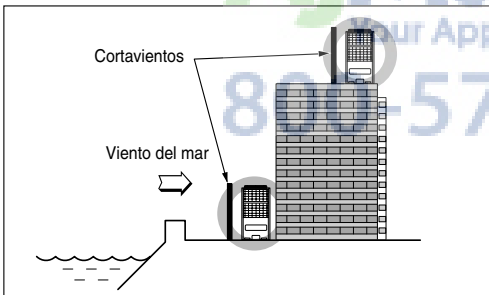
1. Los aparatos de aire acondicionado no deben instalarse en áreas donde se produzcan gases corrosivos, como los alcalinos o los ácidos.
2. No instale el aparato donde quede expuesto directamente al viento del mar (rocío salino). Puede producirse la corrosión en el producto. La corrosión, particularmente en las aletas del condensador y del evaporador, podría causar un funcionamiento defectuoso del aparato o un funcionamiento ineficaz.
3. Si la unidad exterior se instala cerca de la costa, debe evitarse la exposición directa al viento del mar. De lo contrario, se necesitará un tratamiento anticorrosión adicional en el intercambiador de calor.

### Selección de la ubicación (Unidad exterior)

- 1) Si la unidad exterior se instala cerca de la costa, debe evitarse la exposición directa al viento del mar. Instale la unidad exterior en el lado contrario a la dirección del viento.



- 2) En el caso de que instale la unidad exterior en la costa, coloque un cortavientos para protegerlo del viento del mar.



- Debe ser lo suficientemente fuerte como el cemento para bloquear el viento del mar.
- El alto y el ancho deben superar el 150% de la unidad exterior.
- Debe mantenerse más de 70 cm entre la unidad exterior y el cortavientos para permitir la libre circulación de aire.

- 3) Seleccione un lugar bien dragado.

1. Si no puede cumplir las condiciones anteriores en la instalación marina, contacte con LG Electronics para un <sup>1</sup>tratamiento anticorrosión.
2. La limpieza periódica con agua (más de una vez al año) del polvo o las partículas de sal atascadas en la salida de calor

