

Installation Instructions

Self-Cleaning Dual Fuel Slide-In Range P2S975



Questions? Call 800.GE.CARES (800.432.2737) or Visit our Website at: ge.com
In Canada, call 1.800.361.3400 or Visit our Website at: www.geappliances.ca

IN THE COMMONWEALTH OF MASSACHUSETTS:

- This product must be installed by a licensed plumber or gas fitter.
- When using ball-type gas shut-off valves, they shall be the T-handle type.
- A flexible gas connector, when used, must not exceed 3 feet.

BEFORE YOU BEGIN

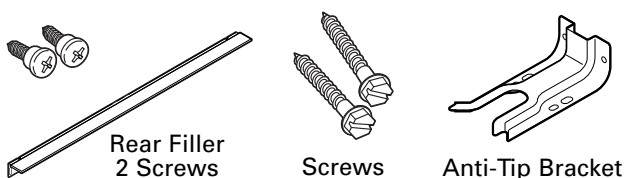
Read these instructions completely and carefully.

- **IMPORTANT** — Save these instructions for local inspector's use.
- **IMPORTANT** — Observe all governing codes and ordinances.
- **Note to Installer** – Be sure to leave these instructions with the Consumer.
- **Note to Consumer** – Keep these instructions for future reference.
- Product failure due to improper installation is not covered under the Warranty.

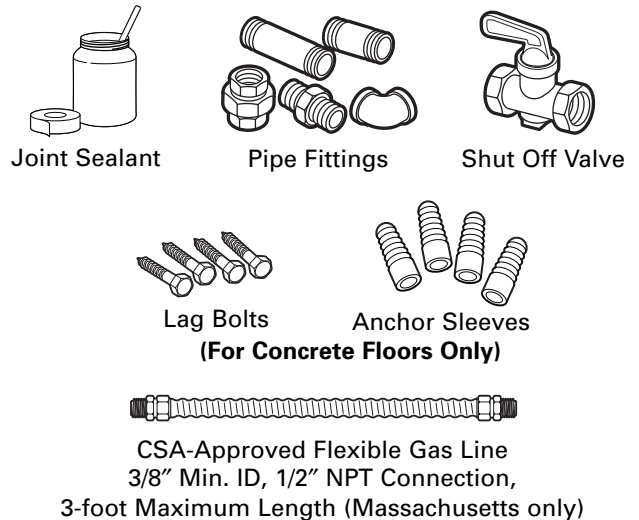
⚠ WARNING — This appliance must be properly grounded.

- **Proper installation is the responsibility of the installer and product failure due to improper installation is NOT covered under warranty.**

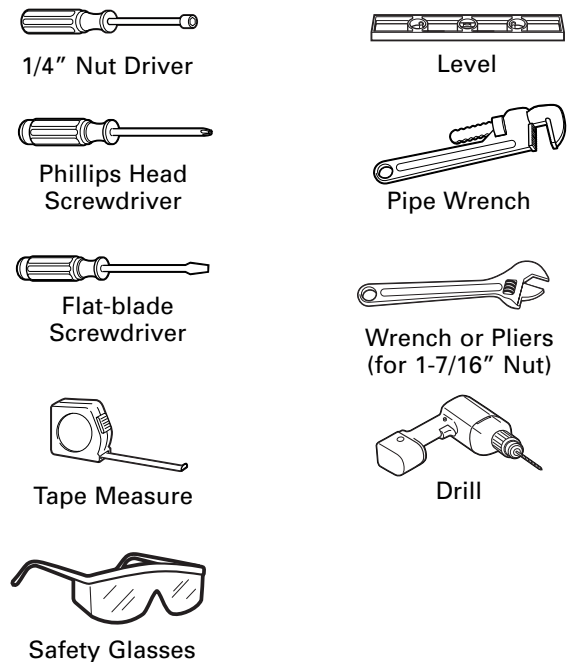
PARTS INCLUDED



MATERIALS YOU MAY NEED



TOOLS YOU WILL NEED



Installation Instructions

IMPORTANT SAFETY INSTRUCTIONS

FOR YOUR SAFETY:

⚠ WARNING — If the information in this manual is not followed exactly, a fire, explosion or gas leak may result causing property damage, personal injury or death.

Do not store or use gasoline or other flammable vapors and liquids in the vicinity of this or any other appliance!



WHAT TO DO IF YOU SMELL GAS:

- Do not try to light any appliance. Do not touch any electrical switch; do not use any phone in your building.
- Immediately call your gas supplier from a neighbor's phone. Follow the gas supplier's instructions.
- If you cannot reach your gas supplier, call the fire department.

Installation and service must be performed by a qualified installer, service agency or the gas supplier.

This range has been design certified by UNDERWRITERS LABORATORIES for use in the United States and Canada. You'll find safety precautions in your Owner's Manual. Read them carefully.

- Installation of this range must conform with local codes or in the absence of local codes with the National Fuel Gas Code, ANSI Z223.1–Latest edition.
- Be sure your range is installed properly by a qualified installer or service technician.
- To eliminate reaching over surface burners, cabinet storage above burner should be avoided.
- Do not install the unit near an outside door or where a draft may affect its use.

Installation Instructions

FOR YOUR SAFETY:

⚠ WARNING — For personal safety, remove house fuse or open circuit breaker before beginning installation. Failure to do so could result in serious injury or even death.

All rough-in and spacing dimensions must be met for safe use of your range. Electricity to the range can be disconnected at the outlet without moving the range if the outlet is in the preferred location (remove lower drawer).

To reduce the risk of burns or fire when reaching over hot surface elements, cabinet storage space above the cooktop should be avoided. If cabinet storage space is to be provided above the cooktop, the risk can be reduced by installing a range hood that protrudes at least 5" beyond the front of the cabinets. Cabinets installed above a cooktop must be no deeper than 13".

Be sure your appliance is properly installed and grounded by a qualified technician.

ANTI-TIP DEVICE

⚠ WARNING — To reduce the risk of tipping, the appliance must be secured by properly installed Anti-Tip bracket packed with this appliance.

If the Anti-Tip device supplied with the range does not fit this application, use the universal Anti-Tip device WB2X7909. Skip Steps 4, 19 and 21.

To check if the bracket is installed and engaged properly, carefully tip the range forward. The anti-tip bracket should engage and prevent the range from tipping over.



⚠ WARNING —

- All ranges can tip
- Injury to persons could result
- Install Anti-Tip bracket packed with range
- See Installation Instructions



If you pull the range out and away from the wall for any reason, make sure the Anti-Tip bracket is engaged when the range is pushed back against the wall.

ELECTRICAL REQUIREMENTS

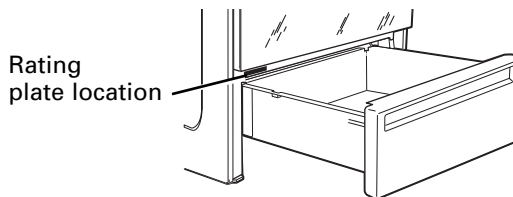
This appliance must be supplied with the proper voltage and frequency and connected to an individual, properly grounded branch circuit, protected by a circuit breaker or fuse having a recommended amperage rating per the table below.

BREAKER OR FUSE SIZE

240V	40 Amps
208V	40 Amps

NOTE: Check Local Codes for required breaker size.

Rating plate is located above the storage drawer below the oven frame.



We recommend you have the electrical wiring and hookup of your range connected by a qualified electrician. After installation, have the electrician show you where your main range disconnect is located.

Check with your local utilities for electrical codes which apply in your area. Failure to wire your range according to governing codes could result in a hazardous condition. If there are no codes, your range must be wired and fused to meet the requirements of the National Electrical Code, ANSI/NFPA No. 70—Latest edition. You can get a copy by writing:

National Fire Protection Association
Battery March Park
Quincy, MA 02269

Effective January 1, 1996, the National Electrical Code requires that new, but not existing, construction utilize a four-conductor connection to an electric range. When installing an electric range in new construction, a mobile home, recreational vehicle or an area where local codes prohibit grounding through the neutral conductor, follow the instructions in the section on NEW CONSTRUCTION AND FOUR-CONDUCTOR BRANCH CIRCUIT CONNECTION.

In Canada your range must be wired and fused to meet the requirements of the Canadian Electrical Code.

You must use a three-wire, single-phase A.C. 208Y/120 Volt or 240/120 Volt, 60 hertz electrical system.

Installation Instructions

PRE-INSTALLATION CHECKLIST

1 INSPECT INSTALLATION LOCATION

Refer to alternate construction section for the following non-standard installations.

A Counter opening extends to the wall:

Maintop Filler (supplied with the range.) (See page 17 for Installation Instructions) or

Backguard (Kit JXS32XX or JXS37XX).

B Counter height greater than 36-3/4":

Lower Trim Slide-In (Kit JXS56XX).

C One side is not enclosed by a cabinet:

Bodyside (Kit JXS77XX).

D Island Installation:

To provide an optimum installation, the top surface of the countertop must be level and flat (lie on the same plane) around the 3 sides that are adjacent to range cooktop. Proper adjustments to make the top flat should be made or gaps between the countertop and range cooktop may occur. Forcing the cooktop to fit may cause excessive gaps.

To obtain Kits:

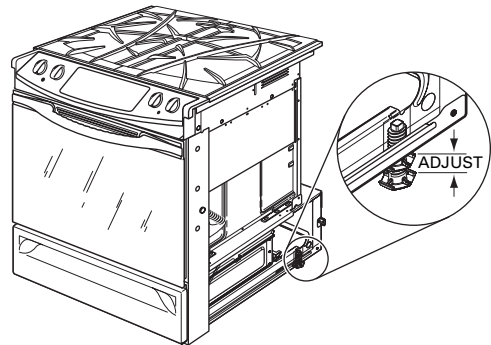
- Visit GE Web Site (See page 1)
- Call GE Answer Center (See page 1)
- Contact Dealer

2 MOVE RANGE INDOORS IN FRONT OF CABINET OPENING

Do not use hand trucks when moving the unpackaged range.

3 PROTECT THE KITCHEN FLOOR

Flatten and place a piece of the shipping carton in front of the installation location to protect the flooring.



4 CAREFULLY, TILT RANGE TO ACCESS RANGE LEVELING LEGS

Use an adjustable wrench to screw leveling legs out so that support flanges clear top of countertop.

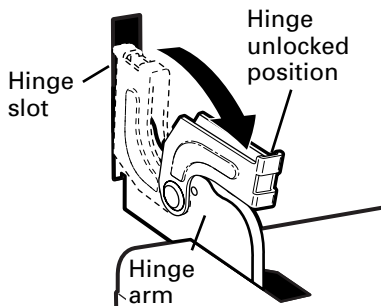
Installation Instructions

5 REMOVE THE DOOR IF NECESSARY

Door removal is not a requirement for installation of the product, but is an added convenience. To remove the door:

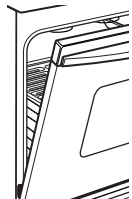
A UNLOCK HINGES

Push both hinge locks down toward the door frame, to the unlocked position. This may require a flat blade screwdriver.



B POSITION DOOR

Place hands on both sides of the door, and close the oven door to the removal position. This is half way between the broil stop and fully closed.



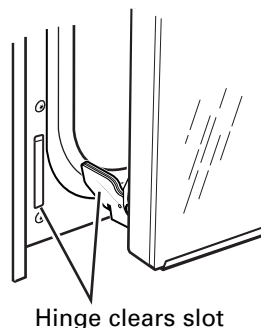
5 REMOVE THE DOOR IF NECESSARY (cont.)

C LIFT OFF DOOR

Lift door up and out until the hinge arms clear the slots.

DO NOT LIFT THE DOOR BY THE HANDLE.

NOTE: The oven door is very heavy. Be sure you have a firm grip before lifting the oven door off the hinges. Use caution once the door is removed. Do not lay the door on its handle. This could cause dents or scratches.



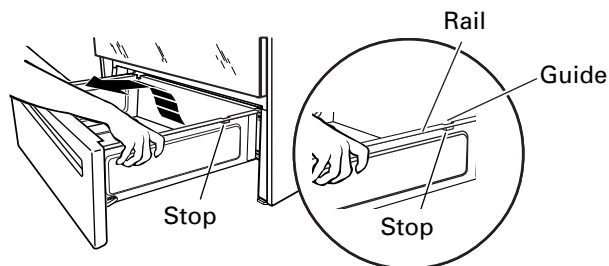
6 REMOVE PACKING MATERIALS

Also remove labels on door, plastic on trim and panel and all tape around the range.

7 REMOVE STORAGE DRAWER

A Pull the drawer out until it stops.

B Lift the front of the drawer until the stops clear the guides.



C Pull forward and remove the drawer.

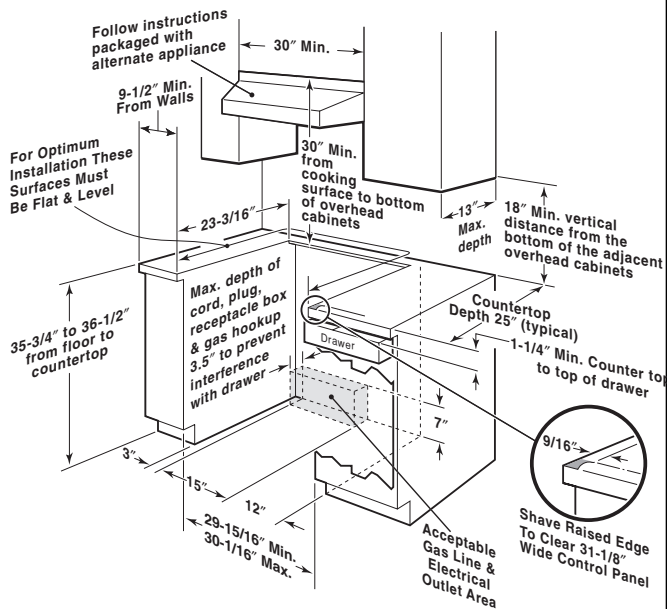
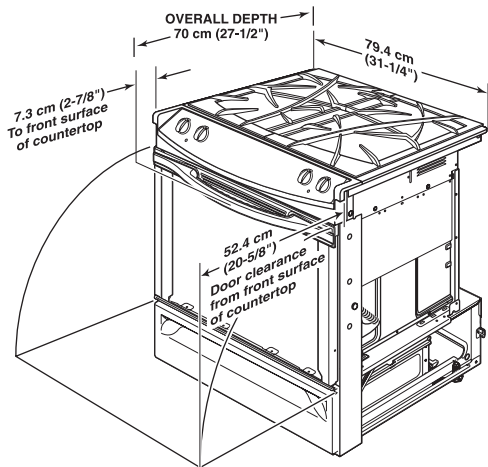
Installation Instructions

PRE-INSTALLATION CHECKLIST (CONT.)

8 PRE-INSTALLATION CUTOUT AND REQUIRED CLEARANCES

If cabinets are placed less than 30" above the range, see Alternate Construction, Step 25D, on page 18.

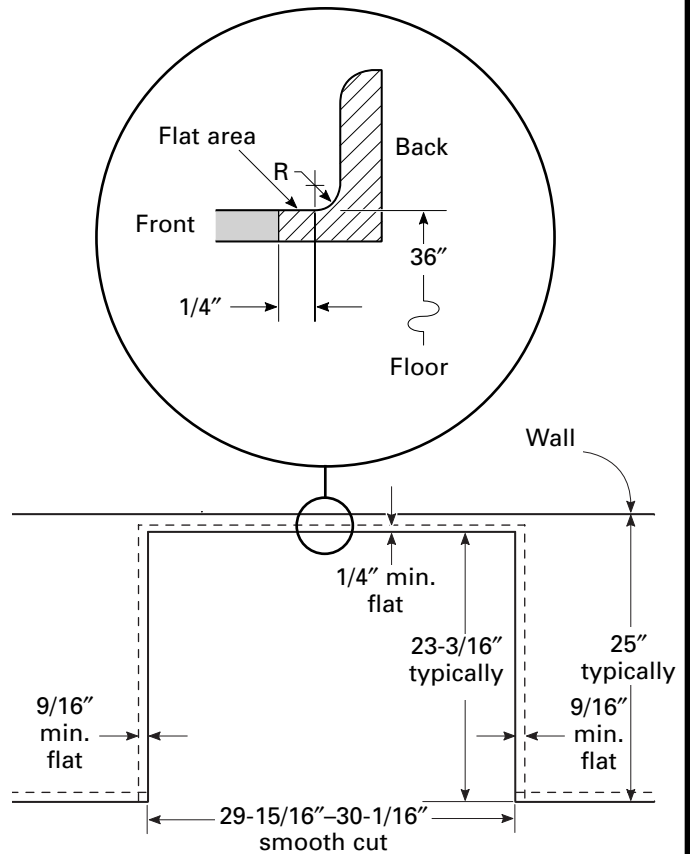
Wall coverings, counters and cabinets around range must withstand heat (up to 194°F) generated by the range.



9 STANDARD INSTALLATION

If the construction of your cabinet cannot provide a 1/4" flat area at the back of the countertop opening, consider changing the countertop to accommodate this dimension. See Alternate Construction section.

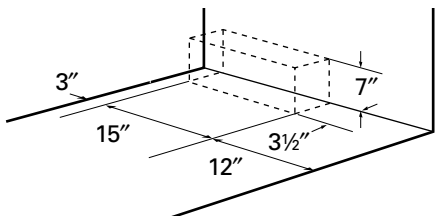
NOTE: A 1-1/2" minimum clearance must be maintained between the rear edge of the cooktop and the rear wall above the cooktop.



Installation Instructions

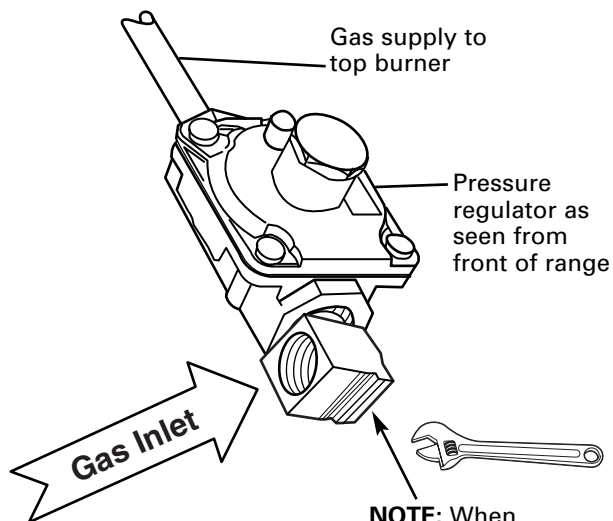
GAS CONNECTIONS

10 MAKING THE CONNECTIONS



- A** Install a manual shut-off valve in the gas supply line in an easily accessible location.
- B** Know how and where to shut off the gas supply to the range.
- C** Shut off gas supply before removing an old range. Leave it off until hookup of new range is finished.
- D** Because solid pipe restricts moving the range, we recommend use of a C.S.A. certified flexible metal appliance connector.

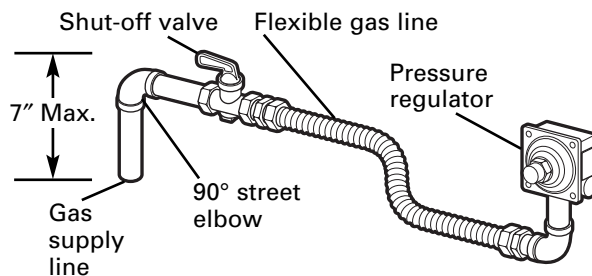
⚠ WARNING: Never reuse old flexible connectors. The use of old flexible connectors can cause gas leaks and personal injury. Always use new flexible connectors when installing a gas appliance.



NOTE: When screwing on the flare union adaptor, hold the gas inlet firmly with a wrench.

10 MAKING THE CONNECTIONS (cont.)

- E** Install 1/2" flare union adaptor to the 1/2" NPT elbow on pressure regulator.
- F** Connect flexible appliance connector to flare union.
- G** Move range into approximate position and connect flexible connector to gas supply line with proper flare union adaptor.



- H** To prevent gas leaks, put a pipe joint sealant or Teflon® tape on all male threads. **NOTE:** Make sure sealant or tape is compatible with Natural and LP gases.
- I** When you are finished making connections, be sure that all range knobs are turned to OFF before you open the main gas supply valve.

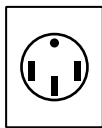
⚠ WARNING: Do not use a flame to check for gas leaks. Use liquid leak detector at all joints and connections to check for leaks in the system.

Installation Instructions

ELECTRICAL CONNECTIONS

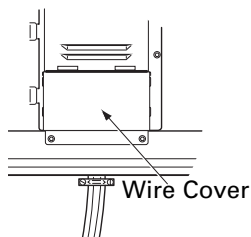
The range is shipped with a 4-wire power cord. If your outlet looks like the one shown, skip to step 19 and proceed.

NEMA 14-50R
4-wire



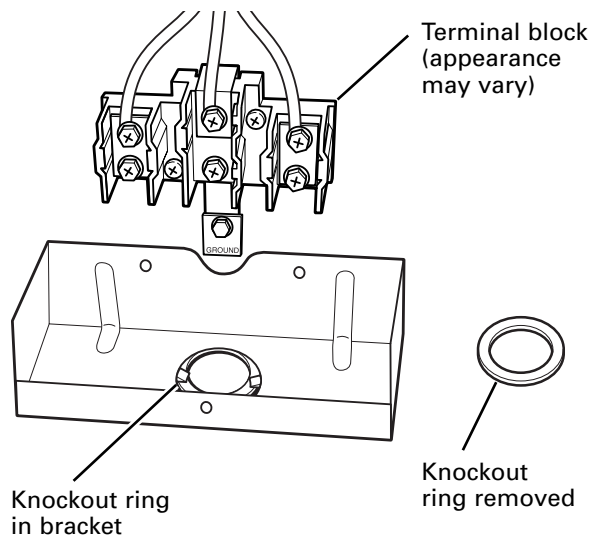
11 POWER CORD AND STRAIN RELIEF INSTALLATION

- A** Remove the wire cover (on the back of the range) by removing 2 screws, using a 1/4" nut driver.



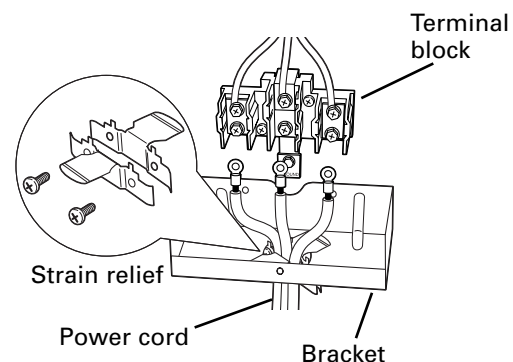
Do not discard these screws.

- B** Remove the knockout ring (1-3/8") located on bracket directly below the terminal block. To remove the knockout, use a pair of pliers to bend the knockout ring away from the bracket and twist until ring is removed.



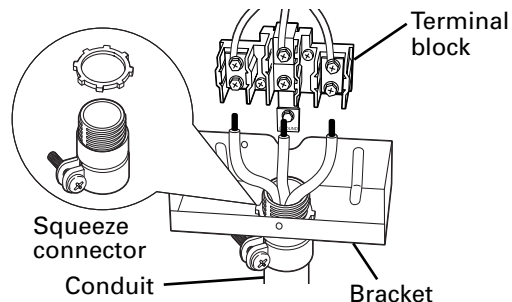
- C** For power cord installations only (see the next step if using conduit), assemble the strain relief in the hole. Insert the power cord through the strain relief and tighten. Allow enough slack to easily attach the cord terminals to the terminal block. If tabs are present at the end of the winged strain relief, they can be removed for better fit.

NOTE: Do not install the power cord without a strain relief. The strain relief bracket should be installed before reinstalling the rear range wiring cover.



- D** For conduit installations only, purchase a squeeze connector matching the diameter of your conduit and assemble it in the hole. Insert the conduit through the squeeze connector and tighten. Allow enough slack to easily attach the wires to the terminal block.

NOTE: Do not install the conduit without a squeeze connector. The squeeze connector should be installed before reinstalling the rear range wiring cover.

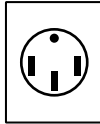


Installation Instructions

12 NEW CONSTRUCTION AND FOUR-CONDUCTOR BRANCH CIRCUIT

All New Constructions, Mobile Homes, Recreational Vehicles and Installations Where Local Codes Do Not Allow Grounding Through Neutral Must Use the 4-Wire Cord Provided.

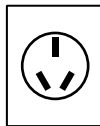
NEMA 14-50R
4-wire



13 FOR EXISTING CONSTRUCTION, A THREE-WIRE FLEXIBLE CORD KIT MAY BE USED

Follow instructions in step 14 if you require a 3-wire cord:

208/240 40 Amp
3-prong cord



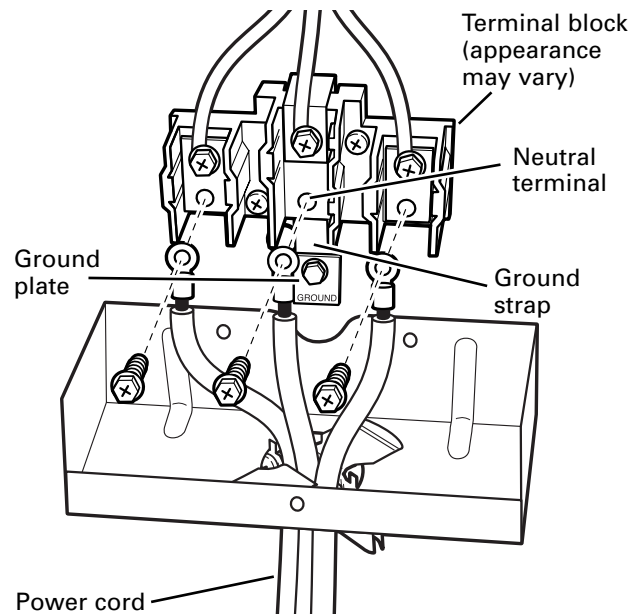
14 3-WIRE POWER CORD INSTALLATION

⚠ WARNING: The neutral or ground wire of the power cord must be connected to the neutral terminal located in the center of the terminal block. The power leads must be connected to the lower left and the lower right terminals of the terminal block.

A Remove the 3 lower terminal screws from the terminal block. Insert the 3 terminal screws through each power cord terminal ring and into the lower terminals of the terminal block. Be certain that the center wire (white/neutral) is connected to the center lower position of the terminal block. Tighten screws securely into the terminal block.

DO NOT remove the ground strap connection.

⚠ WARNING: Before powering the unit, ensure that the ground strap is connected to both the terminal block and to the ground plate.



B Skip to Step 18 and proceed with the installation.

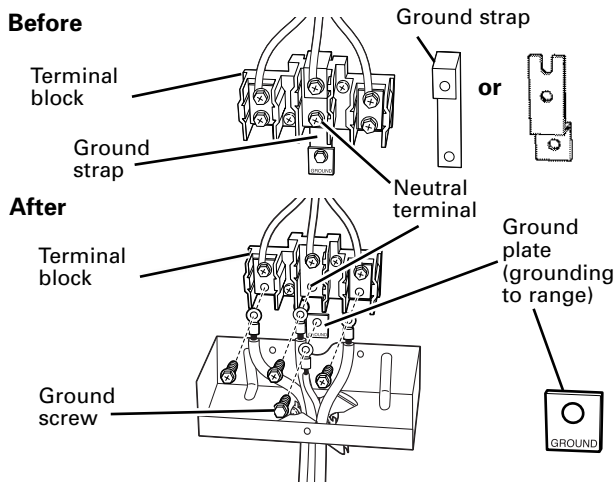
Installation Instructions

ELECTRICAL CONNECTIONS (CONT.)

15 4-WIRE POWER CORD INSTALLATION

⚠ WARNING: The neutral wire of the supply circuit must be connected to the neutral terminal located in the lower center of the terminal block. The power leads must be connected to the lower left and the lower right terminals of the terminal block. The ground lead must be connected to the frame of the range with the ground plate and the ground screw.

- A** Remove the 3 lower terminal screws from the terminal block. Remove the ground screw and ground plate and retain them.
- B** Cut and discard the ground strap. **DO NOT DISCARD ANY SCREWS.**
- C** Insert the one ground screw into the power cord ground wire terminal ring, through the ground plate and into the frame of the range.
- D** Insert the 3 terminal screws (removed earlier) through each power cord terminal ring and into the lower terminals of the terminal block. Be certain that the center wire (white/neutral) is connected to the center lower position of the terminal block. Tighten screws securely into the terminal block.



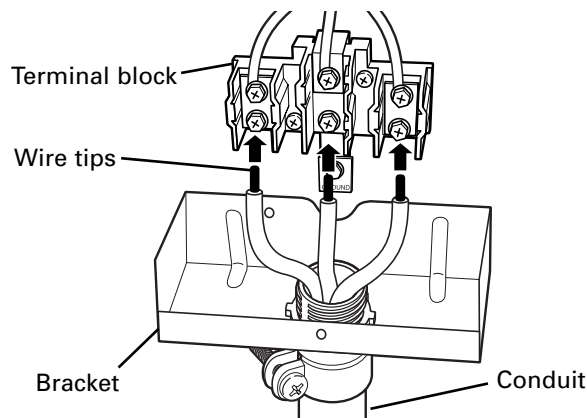
- E** Skip to Step 18 and proceed with the installation.

16 3-WIRE CONDUIT INSTALLATION

- A** Loosen the 3 lower terminal screws from the terminal block. Insert the center bare wire (white/neutral) tip through the bottom center terminal block opening. On certain models, the wire will need to be inserted through the ground strap opening and then into the bottom center terminal block opening. Insert the two side bare wire tips into the lower left and the lower right terminal block openings. Tighten the screws until the wire is firmly secured (35 to 50 inch-lbs.). Do not over-tighten the screws since it could damage the wires.

NOTE: ALUMINUM WIRING:

Aluminum building wire may be used but it must be rated for the correct amperage and voltage to make connection. Connect wires according to this Step 16 or Step 17 depending on number of wires.



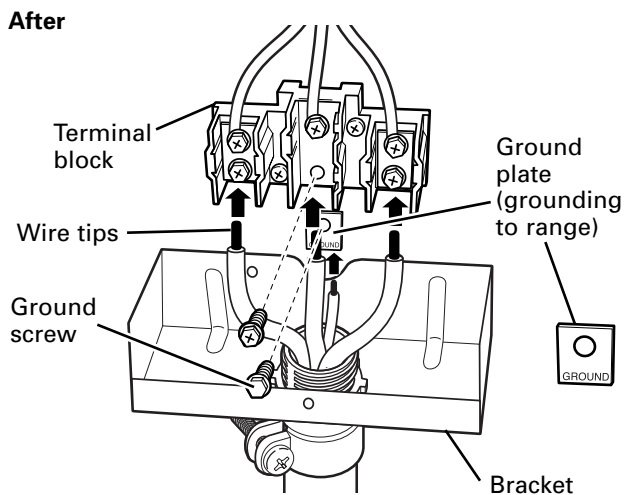
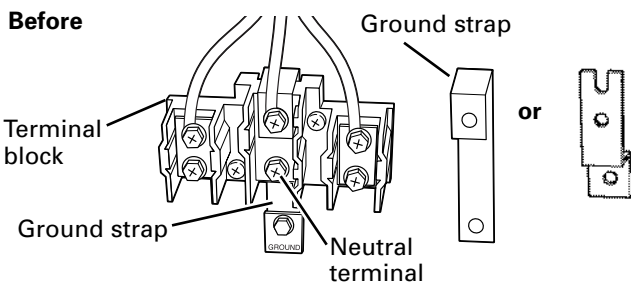
Wire used, location and enclosure of splices, etc., must conform to good wiring practices and local codes.

- B** Skip to Step 18 and proceed with the installation.

Installation Instructions

17 4-WIRE CONDUIT INSTALLATION

- A** Loosen the three lower terminal screws from the terminal block. Remove the ground screw and ground plate and retain them. **Cut and discard the ground strap. DO NOT DISCARD ANY SCREWS.**
- B** Insert the ground bare wire tip between the range frame and the ground plate (removed earlier) and secure it in place with the ground screw (removed earlier). Insert the bare wire (white/neutral) tip through the bottom center of the terminal block opening. Insert the two side bare wire tips into the lower left and the lower right terminal block openings. Tighten the screws until the wire is firmly secured (35 to 50 inch-lbs.). Do not over-tighten the screws since it could damage the wires.



- C** Proceed to Step 18.

18 REINSTALL WIRE COVER

NOTE: When reinstalling the wire cover, make sure that wires do not become pinched between the wire cover and the housing.

NOTE: The ground strap must be attached when using the 3-wire cord.

- Terminations must be either closed loop terminals or open-end spade lugs.
- On some models, a filter capacitor may be connected between the black and ground leads on the junction block. Do not remove capacitor.

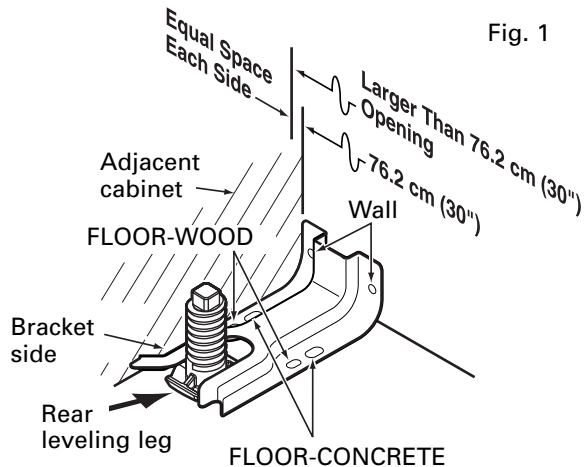
Installation Instructions

INSTALL THE RANGE

19 INSTALL THE ANTI-TIP BRACKET

A LOCATE THE BRACKET

- Decide whether the bracket will be installed on the right or left side of the range opening.
- Place the bracket as shown in Fig. 1.



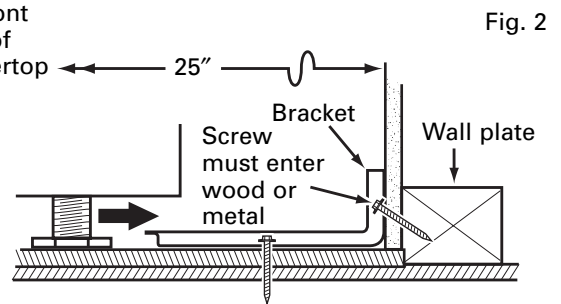
19 INSTALL THE ANTI-TIP BRACKET (cont.)

B INSTALL THE BRACKET IN WOOD OR CONCRETE

INSTALLATION—WOOD CONSTRUCTIONS

- Locate the centers of the 4 holes identified in Fig. 1 as Floor-Wood and Wall.
- Drill a 1/8" pilot hole through the pre-marked areas. Note the angle of the wall screw in Fig. 2.
- Mount the Anti-Tip bracket with the 4 screws provided.

Top front edge of countertop ← 25" →



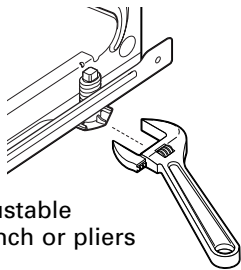
INSTALLATION—CONCRETE CONSTRUCTIONS

- For concrete installation, you will need two 1/4" x 1-1/2" lag screws and two sleeve anchors.
- Locate the center of the 4 holes identified in Fig. 1 as Floor-Concrete and Wall. Drill the recommended size holes in each.
- Install the sleeve anchors into the predrilled concrete holes and install the lag and wall screws through the Anti-Tip bracket. Make sure the screws are securely tightened.

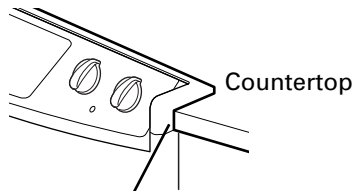
Installation Instructions

20 SLIDE RANGE INTO OPENING

- A** Position the range in front of the cabinet opening.
- B** Make sure the supports which overhang the countertop clear the countertop. If necessary, raise the unit by lowering the leveling legs.
- C** Push while lifting the range into the opening, until the range is within 2" of engaging the anti-tip bracket.
- D** Remove the protective trim from the side (if provided).
- E** Using the adjustable pliers or wrench, carefully screw in the back leveling leg until the overhang comes to rest on the countertop.



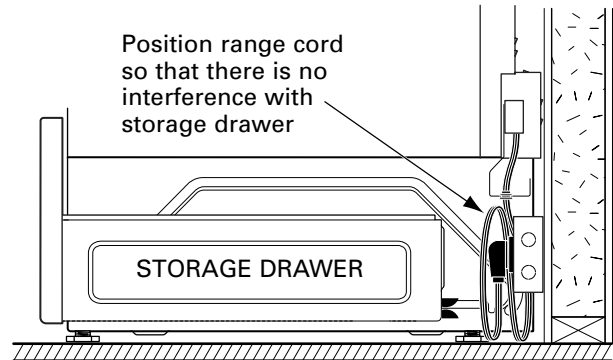
- F** Carefully screw in the front two leveling legs (similar to Step E) until the overhang touches the countertop.
- G** Carefully push the range into the opening until the countertop fully engages the control panel. The back maintop overhang should cover the cutout opening.



Make sure the edge of the countertop fits flush against the end of the front control panel

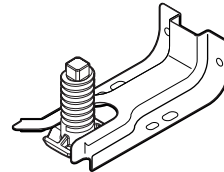
20 SLIDE RANGE INTO OPENING (cont.)

- H** Plug the range cord into the receptacle. Locate the cord in the back of the range in a manner that it will not touch or be moved by the drawer.



21 FINAL CHECK OF ANTI-TIP BRACKET

When installation is complete and the range is in place, check to be sure that the rear leveling leg is fully inserted into the slot of the Anti-Tip Bracket.



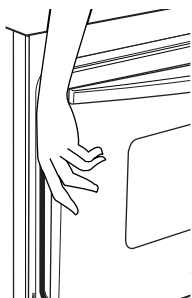
Installation Instructions

INSTALL THE RANGE (CONT.)

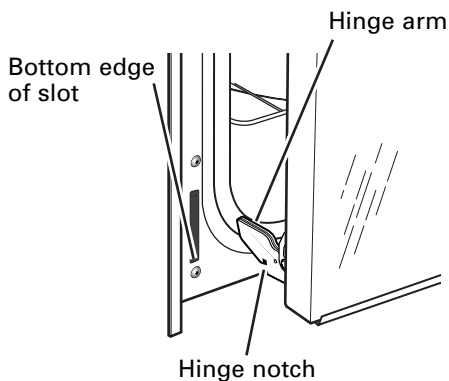
22 REPLACE THE OVEN DOOR

NOTE: The oven door is heavy. You may need help lifting the door high enough to slide it into the hinge slots. Do not lift the door by the handle.

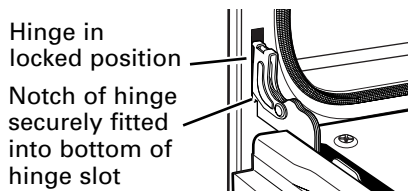
- A** Lift the oven door by placing one hand on each side. The door is heavy, so you may need help. Do not lift the door by the handle.



- B** With the door at the same angle as the removal position (halfway between the closed and broil stop position), seat the notch of the hinge arm into the bottom edge of the hinge slot. The notch of the hinge arm must be fully seated into the bottom of the slot.



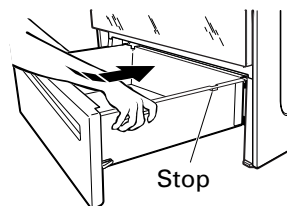
- C** Open the oven door as far as it will open.
D Push the hinge locks up against the front frame of the oven cavity, to the locked position.



- E** Close the oven door.

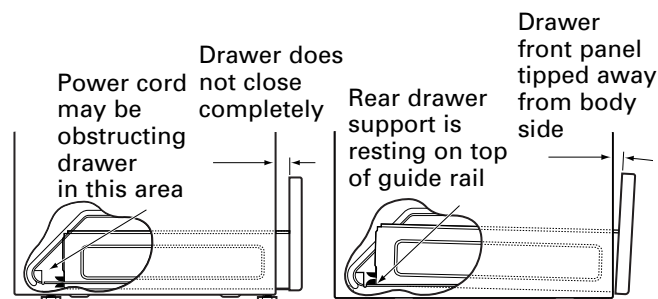
23 REPLACE THE STORAGE DRAWER

- A** Place the drawer rail on the guides.
B Push the drawer in until it stops.
C Lift the front of the drawer and push in until the stops clear the guides.
D Lower the front of the drawer and push in until it closes.



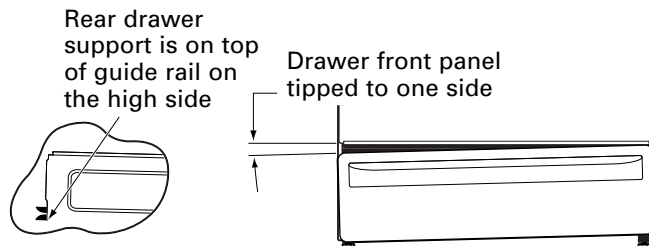
SPECIAL INSTRUCTIONS IF YOU ARE HAVING PROBLEMS WHILE REPLACING THE STORAGE DRAWER

If Drawer Won't Close:



Remove and replace, making sure the power cord is not obstructing the drawer and/or the rail is in the guide.

If Drawer is Crooked:



Remove and replace, making sure the rail is in the guide.

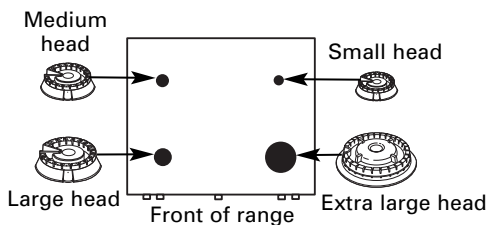
Installation Instructions

24 COOKTOP BURNERS

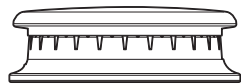
A ASSEMBLE THE BURNERS

⚠ CAUTION: The electrode of the spark igniter is exposed. Be careful not to push any cooktop controls while the top of the burner is removed. Do not remove the top or touch the electrode of any burner while another burner is turned on. Electrical shock might result.

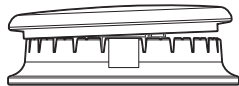
- a. Place the burner head onto the burner base, making sure that the head is properly oriented over the burner base and the electrode. Make sure to place the correct burner head on the correct burner base and that the burner head sits level on the burner base. The burner heads are not interchangeable.



- b. Place the burner caps on the burner heads, making sure to place the correct burner cap on the correct burner head. The burner caps are not interchangeable. Make sure that the burner caps are properly seated on the burner heads.



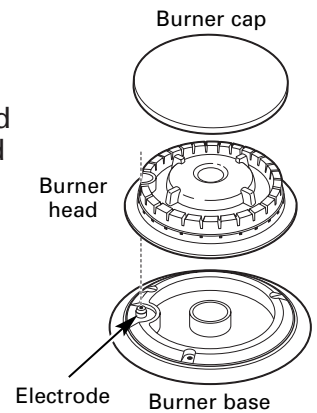
Burner cap properly seated



Burner cap not properly seated

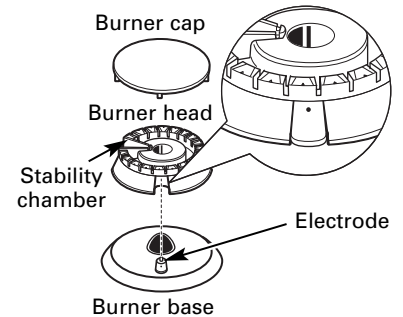
c. Front right burner

Make sure the hole in the burner head assembly is positioned over the electrode and that the burner head is fully inserted inside the burner base. A small gap between the base and head is normal.

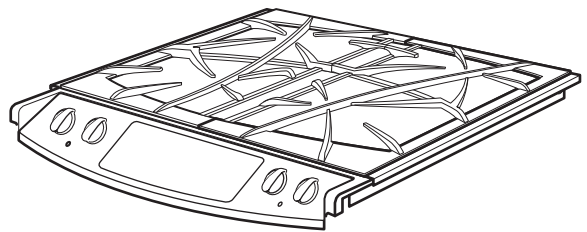


Front left burner, back right burner and back left burner

Make sure the slot in the burner head is positioned over the electrode. The burner cap has three to four pins. When placing the cap, make sure none of the pins sits in the stability chamber.



- d. Place the burner grates over the burners.



Installation Instructions

INSTALL THE RANGE (CONT.)

B CHECK FOR LEAKS

Turn the gas supply on and use a liquid leak detector (soap solution) at all joints and connections to check for leaks. **Do not use an open flame to look for leaks.** Be sure all leaks are stopped before lighting burners.

C PRESSURE TEST INFORMATION

The maximum allowable supply pressure for the regulator is 14" W.C. The minimum supply pressure needed to check the regulator setting is 7" W.C. for natural gas and 10" W.C. for LP gas.

▲WARNING: The range and its individual shut-off valve must be disconnected from the gas supply piping system during any pressure testing of the gas supply system at test pressures of more than 1/2 psig (pounds per square inch gauge). The range must be isolated from the gas supply piping system by closing its individual shut-off valve during any pressure testing of the gas supply system at test pressures equal to or greater than 1/2 psig. NOTE: 1/2 psig = 13.855" w.c.

D CHECK THE IGNITERS

Operation of the electric igniters should be checked after the cooktop and supply line have been carefully checked for leaks and the cooktop has been connected to the electrical power.

- a. Turn on gas.
- b. Push and turn a burner valve to the LITE position.
 - The burner valve should light when gas is available to the burner.
 - Once the burner lights, it should be turned out of the LITE position.
- c. Try each valve separately until all burners have been checked.

E BURNER IGNITION

Cooktop Spark Ignition—When you turn the cooktop knob to LITE, the spark igniter makes a series of electric sparks (ticking sounds) which light the burner. During a power failure the burners will not light automatically. In an emergency, a cooktop burner may be lit with a match by following the steps below.

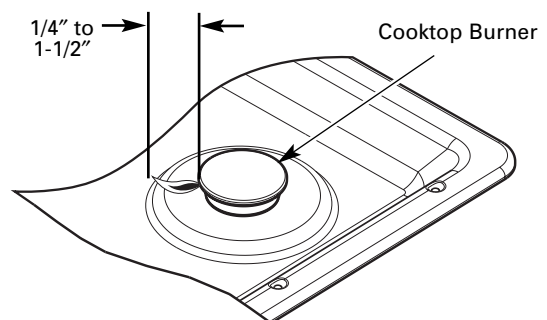
▲WARNING: Lighting gas burners with a match is dangerous. You should match light the cooktop burners only in an emergency.

- a. Light a match and hold the flame near the burner you want to light. Wooden matches work best.
- b. Push in and turn the control knob slowly. Be sure you are turning the correct knob for the burner you are lighting.

NOTE: If the burner does not light within five seconds, turn the knob off and wait 5 minutes before trying again.

F BURNER FLAMES

Turn each burner on. Flames should be blue in color with no trace of yellow. The burner flames should not flutter or blow away from the burner. The flame should be no less than 1/4" on the lowest setting and no greater than 1-1/2" on highest setting.



Burners should be checked frequently

▲WARNING: If you attempt to measure the flame, please use caution. Burns could result.

Installation Instructions

25 ALTERNATE CONSTRUCTION PREPARATION

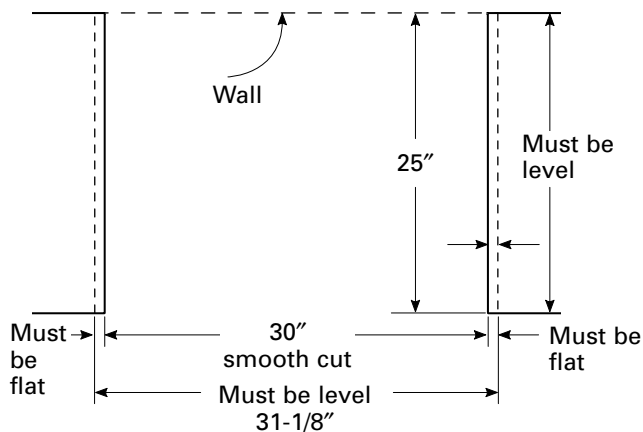
A OPTIONAL MAINTOP FILLER OR BACKGUARD KIT

If counter opening extends to the wall, it will require Maintop Filler Kit (supplied with the range) or Backguard Kit (JXS32XX or JXS37XX) to close the gap.

NOTE: If the countertop is greater than 25", it will show a gap between the backguard and wall or between filler kit and the wall.

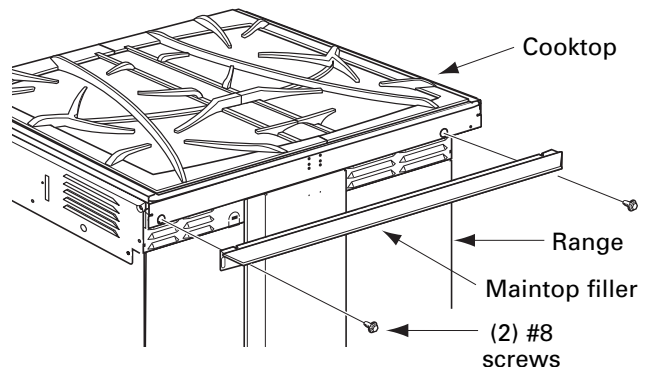
If the countertop is less than 25", a gap will occur between the countertop front and the control panel ends (see Step 8).

If you are using the optional backguard kit, refer to the backguard kit instructions for installation details.



If you use the filler kit, place the metal filler piece supplied with the range to the back of the range as shown in the figure below. Start the 2 screws into the upper holes at the outside rear of the range and through the slots in the trim, holding the filler piece centered on the maintop frame and pushing upward to close the gap between the bottom of the maintop and the filler trim.

When the trim is set in the proper position, tighten the 2 mounting screws. The top of the trim should be located below the top surface of the maintop to prevent pots, pans and skillets from damaging the painted parts. Refer to the Standard Installation of the Range on page 6.



B FOR NON-BUILT-IN INSTALLATION (END OF CABINET LOCATION)

When installing the range at the end of a cabinet section which will expose the unfinished side of the range, use Body Side Kit (JXS77XX). Refer to the kit instructions for installation details.

Installation Instructions

INSTALL THE RANGE (CONT.)

25 ALTERNATE CONSTRUCTION PREPARATION (cont.)

C ISLAND INSTALLATION

Attach the Anti-Tip bracket per instructions in Step 19, making sure that the rear of the bracket is 25" from the front of the countertop.

Be aware that the screws provided are long and may penetrate through the back of the island cabinets. In this event, use shorter screws (not provided) or the screws provided should be used in the floor (see Step 19B for Wood/Concrete Floor Installation).

Do not use Backguard Kit JXS32XX or JXS37XX.

D CABINETS OVER THE RANGE LESS THAN 30"

If a 30" clearance between cooking surface and overhead combustible material or metal cabinets cannot be maintained, protect the underside of the cabinets above the cooktop with not less than 1/4" insulating millboard covered with sheet metal not less than 0.0122" thick.

26 OPERATION CHECKLIST

- Double check to make sure everything in this guide has been completed. Rechecking steps will ensure safe use of the cooktop.
- Make sure all controls are left in the OFF position.
- Make sure the flow of combustion and ventilation air to the cooktop is unobstructed.
- The serial plate for your Range is located under the oven door above the storage area. In addition to the model and serial numbers, it tells you the ratings of the burners and the type of fuel and pressure the cooktop was adjusted for when it left the factory.
- When ordering parts, always include the serial number and model number to ensure proper replacement parts.
- **Recheck Steps: Double check to make sure everything in this guide has been completed. Rechecking steps will ensure safe use of the Range.**

Please see L.P. conversion instructions supplied with this range when L.P. Gas is used.

NOTE: Instructions are mounted on regulator bracket.

Notes

Instructions d'installation

Cuisinière encastrée autonettoyante à deux carburants

P2S975

? Si vous avez des questions, appelez le 1.800.361.3400 ou visitez notre site Web à l'adresse : www.electromenagersge.ca

AVANT DE COMMENCER

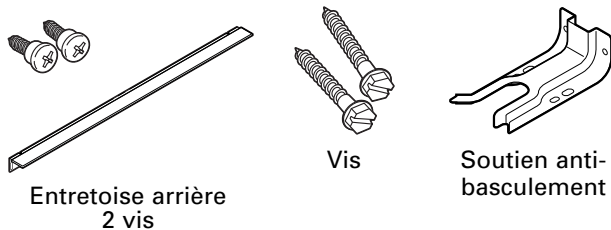
Lisez ces instructions complètement et avec soin.

- **IMPORTANT** — Conservez ces instructions pour l'inspecteur local.
- **IMPORTANT** — Respectez tous les codes et les ordonnances en vigueur.
- **Note à l'installateur** : Assurez-vous de donner toutes ces instructions au consommateur.
- **Note au consommateur** : Conservez ces instructions pour référence future.
- La garantie ne couvre aucune panne due à une mauvaise installation.

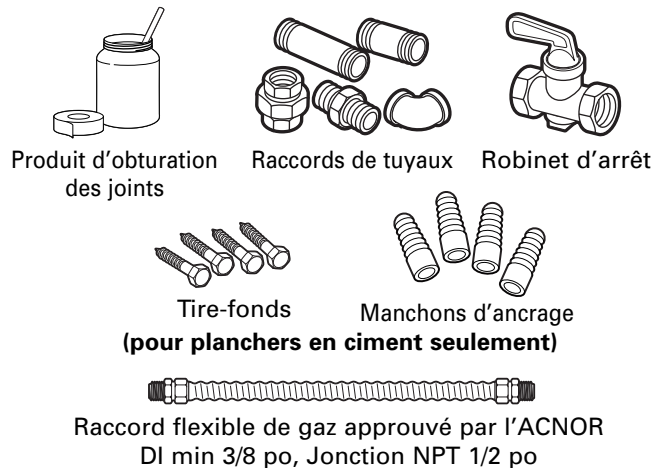
⚠ AVERTISSEMENT — Cet appareil ménager doit être bien mis à la terre.

- **L'installateur est responsable d'une bonne installation et la garantie ne couvre aucune panne due à une mauvaise installation.**

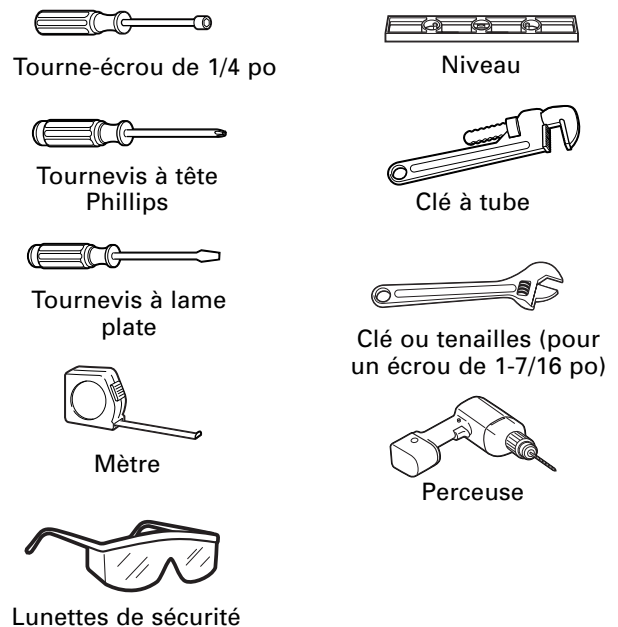
PIÈCES COMPRISES



MATÉRIAUX DONT VOUS POUVEZ AVOIR BESOIN



OUTILS DONT VOUS AUREZ BESOIN



CONSEILS DE SÉCURITÉ IMPORTANTS

POUR VOTRE SÉCURITÉ :

▲ AVERTISSEMENT —

Si vous ne suivez pas exactement les renseignements contenus dans ce manuel, vous pouvez occasionner un incendie, une explosion ou une fuite de gaz qui peut causer des dommages matériels, des blessures corporelles ou la mort.

Ne conservez ou n'usez jamais d'essence ou d'autre liquide ou vapeur inflammable à proximité de cet appareil ou de tout autre appareil ménager!



QUE FAIRE SI VOUS SENTEZ LE GAZ :

- N'essayez jamais d'allumer un appareil ménager. Ne touchez aucun commutateur électrique; n'utilisez aucun téléphone dans votre bâtiment.
- Appelez immédiatement votre fournisseur de gaz en utilisant le téléphone d'un voisin. Suivez les instructions du fournisseur de gaz.
- Si vous n'arrivez pas à communiquer avec votre fournisseur de gaz, appelez les pompiers.

L'installation et le service doivent être faits par un installateur qualifié, une agence de service ou votre fournisseur de gaz.

La conception de cette cuisinière a été certifiée par les UNDERWRITERS LABORATORIES du Canada. Vous trouverez des précautions de sécurité dans votre Manuel du propriétaire. Lisez-les avec soin.

- L'installation de cette cuisinière doit se conformer aux codes locaux ou, en l'absence de codes locaux, au National Fuel Gas Code, ANSI Z223.1—Dernière édition.
- Assurez-vous que votre cuisinière soit bien installée par un installateur qualifié ou un technicien du service.
- Pour éviter de vous pencher sur les brûleurs de surface, vous devez éviter de placer au-dessus des brûleurs une armoire de rangement.
- N'installez jamais votre appareil près d'une porte donnant sur l'extérieur ou dans tout endroit où un courant d'air peut gêner son usage.

▲ AVERTISSEMENT — Pour votre sécurité personnelle, enlevez le fusible de votre maison ou débranchez le disjoncteur de courant avant de commencer votre installation. Si vous ne le faites pas, vous pouvez occasionner des blessures sérieuses ou même la mort.

Vous devez respecter toutes les dimensions d'espacement libre pour utiliser votre cuisinière en toute sécurité. Vous pouvez débrancher l'électricité de votre cuisinière à la prise sans bouger la cuisinière si la prise se trouve dans sa position préférée (enlevez le tiroir du bas).

Pour réduire le risque de brûlures ou d'incendie quand vous vous penchez sur des éléments de surface chauds, vous devez éviter de placer une armoire de rangement au-dessus de la table de cuisson. Si vous devez placer une armoire de rangement au-dessus de la table de cuisson, vous pouvez réduire ce risque en installant une hotte de ventilation qui avance au moins de 12,7 cm (5 po) par rapport à l'avant de l'armoire. Les armoires installées au-dessus d'une table de cuisson ne peuvent dépasser 33 cm (13 po) de largeur.

Assurez-vous que votre appareil soit bien installé et mis à la terre par un technicien qualifié.

Instructions d'installation

MÉCANISME ANTI-BASCULANT

▲ AVERTISSEMENT — Pour réduire le risque de basculement, vous devez fixer votre appareil en installant bien le support anti-basculement livré avec votre appareil.

Si le mécanisme anti-basculant fourni avec la cuisinière ne convient pas à cette application, utilisez le mécanisme anti-basculement universel WB2X7909. Sautez les étapes 4, 19 et 21.

Pour vérifier si ce support est bien installé et engagé, faites doucement basculer la cuisinière vers l'avant. Le support anti-basculement doit s'engager et empêcher la cuisinière de basculer.



▲ AVERTISSEMENT —

- Toutes les cuisinières peuvent basculer
- Cela peut occasionner des blessures corporelles
- Installez le support anti-basculant livré avec votre cuisinière
- Consultez les instructions d'installation

Si vous tirez la cuisinière pour l'écarter du mur pour quelque raison que ce soit, assurez-vous que le support anti-basculement s'engage quand vous repoussez la cuisinière contre le mur.



EXIGENCES ÉLECTRIQUES

Cet appareil ménager doit être livré avec le bon voltage et la bonne fréquence et branché à son propre circuit de dérivation bien mis à la terre, protégé par un disjoncteur ou un fusible ayant l'ampérage recommandé dans le tableau ci-dessous.

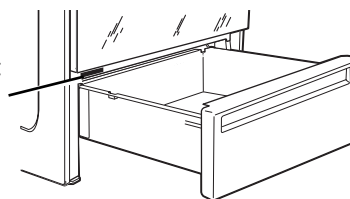
TAILLE DE DISJONCTEUR OU DE FUSIBLE

240V	40 Amps
208V	40 Amps

REMARQUE : Vérifiez les codes locaux pour trouver la taille de disjoncteur requise.

La plaque signalétique est située au dessus du tiroir de rangement sous le châssis de la cuisinière.

Emplacement de la plaque signalétique



Nous vous recommandons de faire brancher le câblage électrique et la fiche de votre cuisinière par un électricien qualifié. Après l'installation, demandez à l'électricien de vous montrer l'emplacement de votre coupe-circuit principal.

Demandez à votre entreprise de services publics les codes électriques en vigueur dans votre région. En ne câblant pas votre cuisinière conformément aux codes en vigueur, vous provoquez une situation dangereuse. En l'absence de codes, vous devez câbler et isoler votre cuisinière conformément aux exigences du Canadian Electrical Code.

Vous devez utiliser un système électrique uniphasé, à trois fils A.C. 208Y/120 volts ou 240/120 volts, 60 Hertz.

Instructions d'installation

LISTE DE VÉRIFICATION AVANT L'INSTALLATION

1 INSPECTEZ L'EMPLACEMENT OÙ VOUS ALLEZ INSTALLER

Consultez la section d'autre construction pour les installations suivantes qui ne sont pas normales.

A L'ouverture du comptoir se poursuit jusqu'au mur :

Trousse de remplissage (fournie avec la cuisinière) (consultez les installations d'instruction à la page 37) ou

Dosseret (trousse JXS32XX ou JXS37XX).

B La hauteur du comptoir est plus grande que 93,4 cm (36-3/4 po):

Garniture du bas à glisser (trousse JXS56XX).

C Un côté n'est pas enfermé dans une armoire :

Côté d'appareil (trousse JXS77XX).

D Installation dans un îlot :

Pour obtenir une bonne installation, la surface du haut du comptoir doit être horizontale et plate (au même niveau) des trois côtés qui sont adjacents à la table de cuisson de la cuisinière. Vous devez bien ajuster la surface du haut afin de bien l'aplatir, autrement il se produira des écarts entre le comptoir et la table de cuisson de votre cuisinière. En poussant la table de cuisson pour aller dans le comptoir, vous pouvez occasionner des écarts excessifs.

Pour obtenir les trousse :

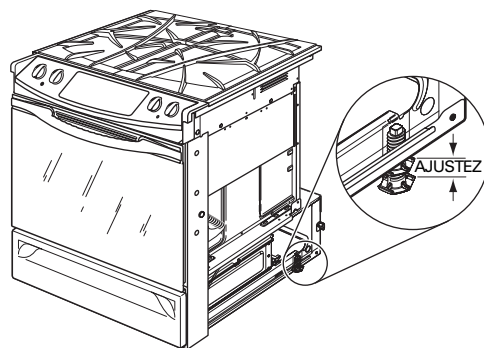
- Visitez le site Web GE (voir page 21)
- Appelez le centre de réponse GE (voir page 21)
- Appelez le vendeur

2 AMENEZ LA CUISINIÈRE À L'INTÉRIEUR EN FACE DE L'OUVERTURE DE L'ARMOIRE

N'utilisez pas de chariot à main pour transporter la cuisinière sans emballage.

3 PROTÉGEZ LE PLANCHER DE LA CUISINE

Aplatissez et placez un morceau de carton d'emballage devant l'emplacement où vous allez installer votre cuisinière pour protéger le plancher.



4 FAITES BASCULER AVEC SOIN LA CUISINIÈRE POUR AVOIR ACCÈS AUX PIEDS D'INCLINAISON DE LA CUISINIÈRE

Utilisez une clé ajustable pour visser les pieds d'inclinaison afin de mettre à niveau le soutien avec le haut du comptoir.

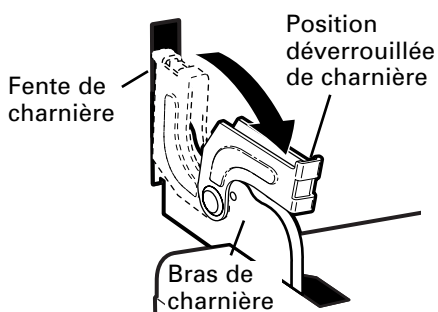
Instructions d'installation

5 ENLEVEZ LA PORTE SI C'EST NÉCESSAIRE

Il n'est pas indispensable d'enlever la porte pour installer votre cuisinière, mais cela peut vous faciliter la tâche. Pour enlever la porte :

A DÉVERROUILLEZ LES CHARNIÈRES

Poussez les deux verrous de charnières vers le bas, vers le châssis de la porte, en position déverrouillée. Cela peut nécessiter un tournevis à tête plate.



B METTEZ EN PLACE LA PORTE

Placez vos mains des deux côtés de la porte et fermez la porte de la cuisinière en position d'enlèvement.

C'est à mi-chemin entre l'arrêt de grillade et la fermeture totale.



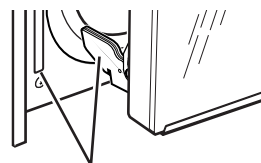
5 ENLEVEZ LA PORTE SI C'EST NÉCESSAIRE (suite)

C ENLEVEZ LA PORTE EN LA SOULEVANT

Enlevez la porte en la soulevant et en la faisant sortir jusqu'à ce que les bras de charnière sortent des fentes.

NE SOULEVEZ JAMAIS LA PORTE PAR LA POIGNÉE.

REMARQUE : La porte de la cuisinière est très lourde. Assurez-vous de bien la saisir avant de la soulever pour l'enlever de ses charnières. Faites bien attention une fois que vous avez enlevé la porte. Ne posez jamais la porte sur sa poignée. Cela peut occasionner des rayures ou des bosses.



La charnière sort de sa fente

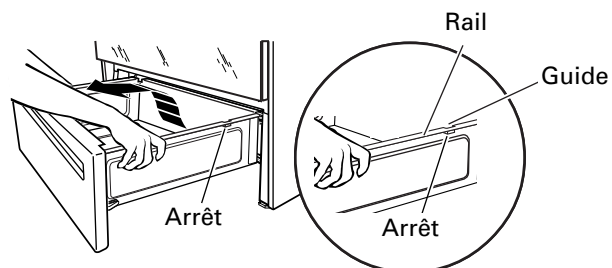
6 ENLEVEZ LES MATÉRIAUX D'EMBALLAGE

Enlevez les étiquettes de la porte, la matière plastique de la garniture et du panneau et tout le ruban collé autour de la cuisinière.

7 ENLEVEZ LE TIROIR DE RANGEMENT

A Tirez le tiroir vers l'extérieur jusqu'à ce qu'il s'arrête.

B Soulevez l'avant du tiroir jusqu'à ce que les arrêts sortent des guides.



C Tirez vers l'avant et enlevez le tiroir.

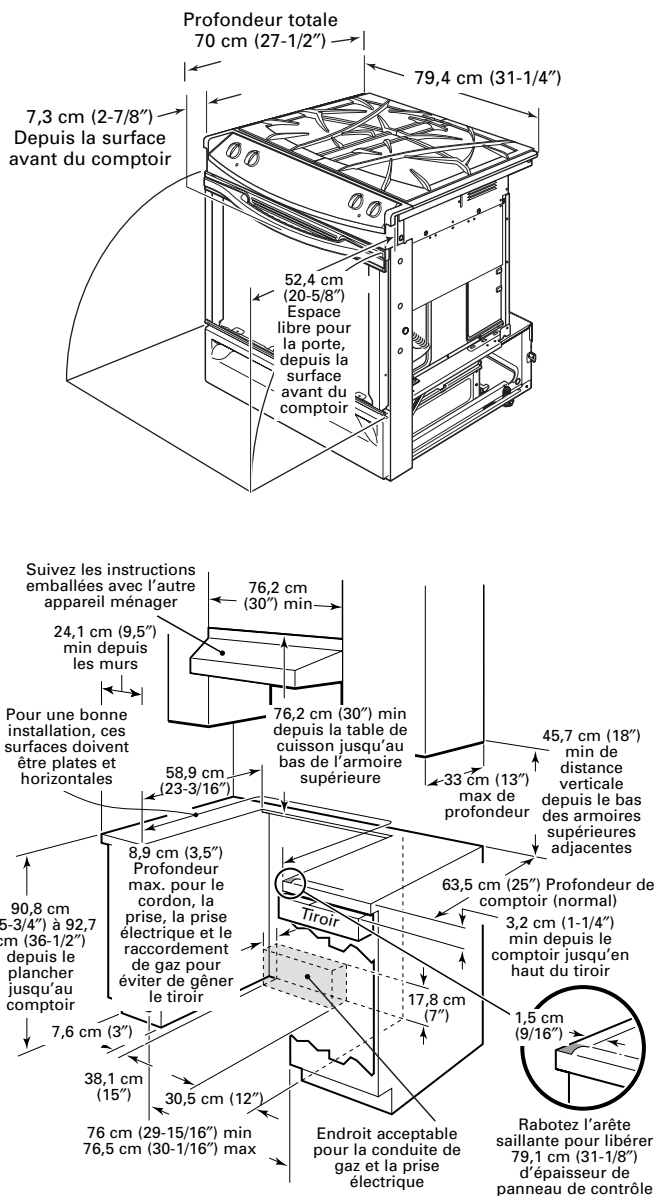
Instructions d'installation

LISTE DE VÉRIFICATION AVANT L'INSTALLATION (SUITE)

8 DÉCOUPE AVANT L'INSTALLATION ET DÉGAGEMENT REQUIS

Si les armoires sont placées à moins de 76,2 cm (30 po) au-dessus de la cuisinière, consultez la section d'autre construction, étape 25D, à la page 38.

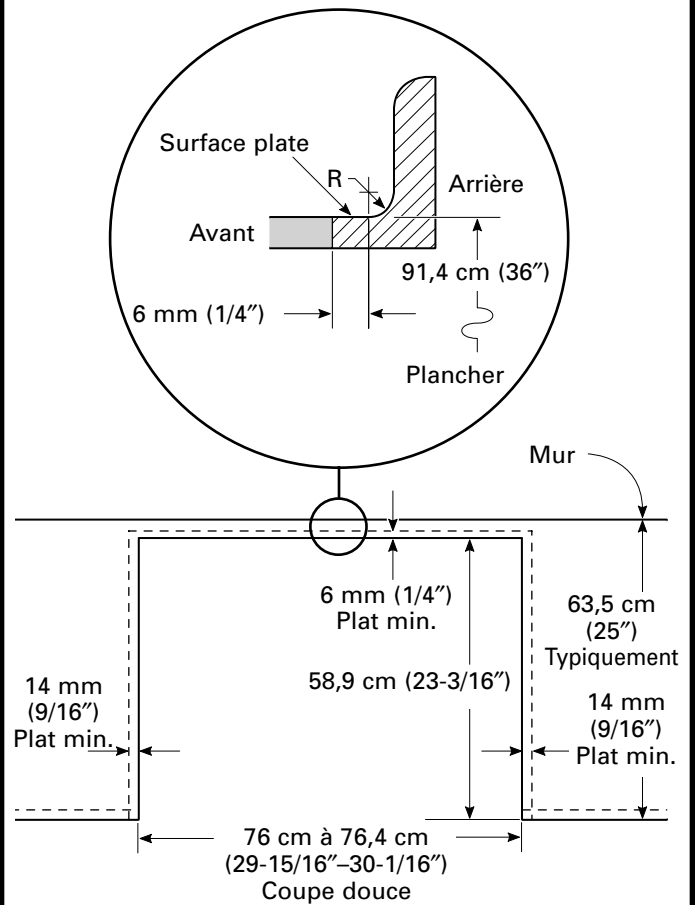
Les revêtements de mur, les comptoirs et les armoires autour de la cuisinière doivent supporter la chaleur (pouvant atteindre 194°F [90°C]) produite par la cuisinière.



9 INSTALLATION NORMALE

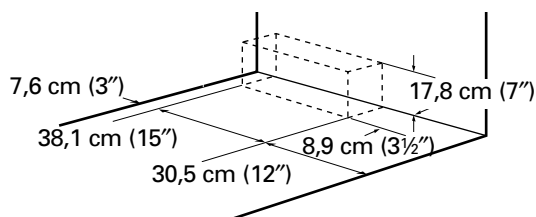
Si la construction de votre armoire ne peut fournir une surface plate de 6 mm (1/4 po) à l'arrière de l'ouverture du comptoir, envisagez changer le comptoir pour obtenir cette dimension. Consultez la section d'autre construction.

REMARQUE : Vous devez conserver un espace libre minimum de 1-1/2 po entre l'arête arrière de la surface de cuisson et le mur arrière au-dessus de la surface de cuisson.



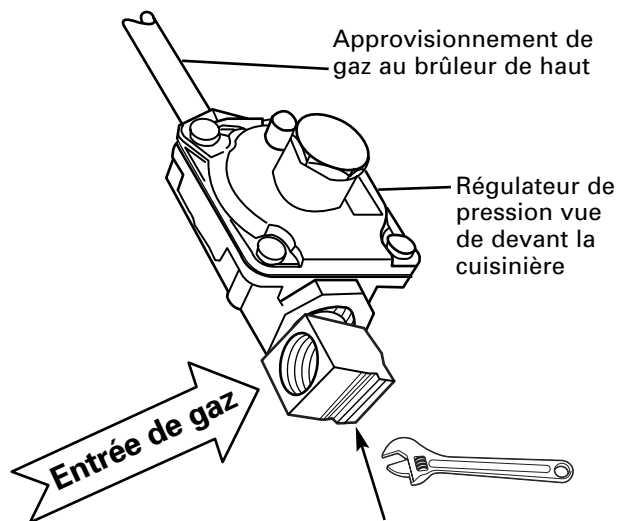
BRANCHEMENT DU GAZ

10 BRANCHEMENT



- A** Installez le robinet d'arrêt manuel dans la conduite d'alimentation de gaz dans un emplacement facile d'accès.
- B** Trouvez comment couper l'alimentation de gaz à la cuisinière, et où se trouve le robinet d'alimentation.
- C** Coupez l'alimentation de gaz avant d'enlever une vieille cuisinière. Laissez-la coupée jusqu'à la fin du branchement de la nouvelle cuisinière.
- D** Comme les conduites rigides limitent le déplacement de la cuisinière, nous vous recommandons l'utilisation d'un raccord flexible en métal certifié par l'ACNOR.

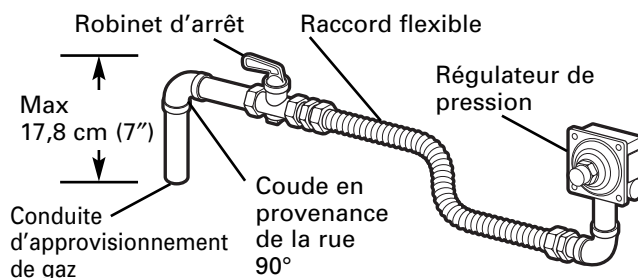
⚠ AVERTISSEMENT: N'utilisez jamais un vieux raccord flexible. L'utilisation d'un vieux raccord flexible peut occasionner des fuites de gaz et des blessures corporelles. Utilisez toujours un raccord flexible neuf pour installer un appareil ménager à gaz.



REMARQUE : pour visser sur le régulateur de pression, tenez fermement l'entrée de gaz avec une clé anglaise.

10 BRANCHEMENT (suite)

- E** Installez l'adaptateur évasé de 13 mm (1/2 po) au coude NPT de 13 mm (1/2 po) sur le régulateur de pression.
- F** Branchez le raccord flexible d'appareil ménager à l'adaptateur.
- G** Mettez la cuisinière dans son emplacement approximatif et branchez le raccord flexible à la conduite d'approvisionnement de gaz avec le bon adaptateur évasé.



- H** Pour empêcher les fuites de gaz, mettez un agent d'étanchéité pour joint de tuyau ou un ruban Teflon® sur tous les filetages mâles. **REMARQUE :** Assurez-vous que l'agent d'étanchéité ou le ruban soient compatibles avec le gaz naturel et le gaz de pétrole liquéfié.
- I** Quand vous avez terminé de faire les branchements, assurez-vous que tous les boutons de la cuisinière soient en position OFF (arrêt) avant d'ouvrir le robinet d'approvisionnement de gaz principal.

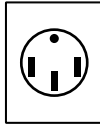
⚠ AVERTISSEMENT: N'utilisez jamais une flamme pour vérifier s'il y a une fuite de gaz. Utilisez un détecteur de fuite liquide au niveau de tous les joints et les raccords pour vérifier les fuites dans le système.

Instructions d'installation

BRANCHEMENT DE L'ÉLECTRICITÉ

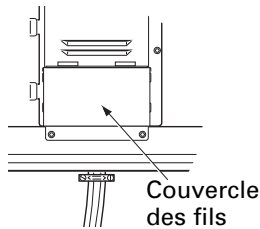
La cuisinière est envoyée avec un cordon d'alimentation à 4 fils. Si votre prise ressemble à celle indiquée, passez à l'étape 19 et continuez.

NEMA 14-50R
4-fils



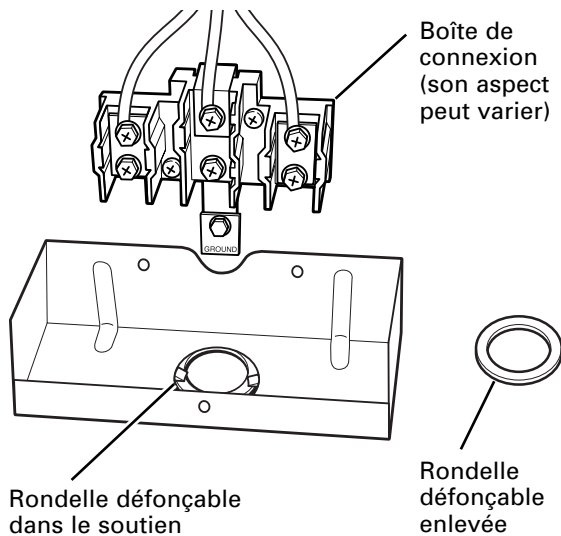
11 INSTALLATION DU CORDON D'ALIMENTATION ET DE LA BRIDE DE CORDON

- A** Enlevez le couvercle des fils (situé derrière la cuisinière) en dévissant les 2 vis, à l'aide d'un tourne-écrou de 1/4 po.



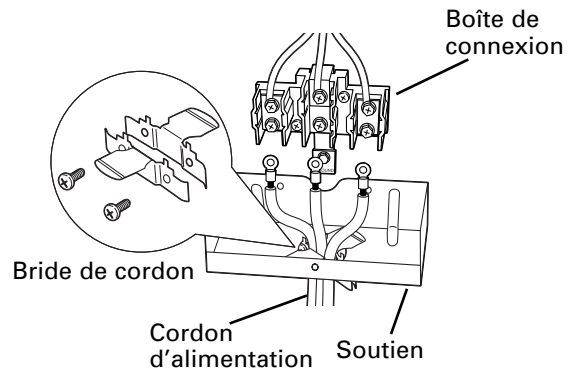
Ne jetez pas ces vis.

- B** Enlevez la rondelle défonçable (1-3/8 po) située dans le soutien directement au-dessous de la boîte de connexion. Pour enlever la rondelle défonçable, utilisez des tenailles pour la plier afin de l'oter du soutien et tordez-la jusqu'à ce que vous l'ayez enlevée.

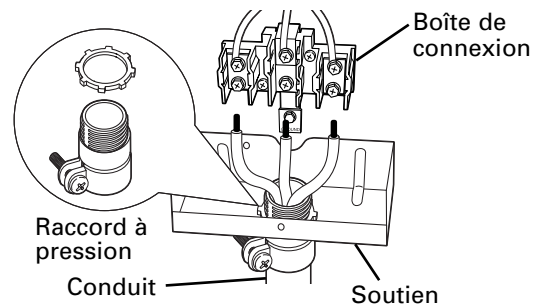


- C** Pour seulement les installations avec cordon d'alimentation (suivez l'étape suivante si vous utilisez un conduit), assemblez la bride de cordon dans le trou, insérez le cordon d'alimentation dans la bride de cordon et serrez. Laissez suffisamment de jeu pour joindre facilement les rondelles de borne du cordon aux bornes de la boîte de connexion. Si la bride de cordon est ailée et il y a des taquets à ses extrémités, vous pouvez les enlever pour obtenir une meilleure installation.

REMARQUE : N'installez jamais le cordon d'alimentation sans bride de cordon. Vous devez installer le support de la bride de cordon avant de remettre le couvercle des fils à l'arrière de la cuisinière.



- D** Pour seulement les installations avec conduit, achetez un raccord à pression qui corresponde au diamètre de votre conduit et assemblez-le dans le trou. Insérez le conduit dans le raccord à pression et serrez-le. Laissez suffisamment de jeu pour joindre facilement les fils à la boîte de connexion.
- REMARQUE : N'installez jamais le conduit sans raccord à pression. Vous devez installer le raccord à pression avant de remettre le couvercle des fils à l'arrière de la cuisinière.**

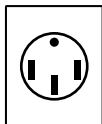


Instructions d'installation

12 NOUVELLE CONSTRUCTION ET CIRCUIT DE DÉRIVATION À QUATRE CONDUCTEURS

Toutes les nouvelles constructions, les maisons mobiles, les véhicules récréatifs et les installations où les codes locaux ne permettent pas la mise à la terre par l'intermédiaire du neutre doivent utiliser le cordon à 4 fils fourni

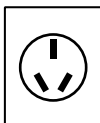
NEMA 14-50R
4-fils



13 POUR UNE CONSTRUCTION EXISTANTE, VOUS POUVEZ UTILISER UN CORDON FLEXIBLE À TROIS FILS

Suivez les instructions de l'étape 14 si vous avez besoin d'un cordon à 3 fils :

208/240 40 Amp
Cordon triphasé



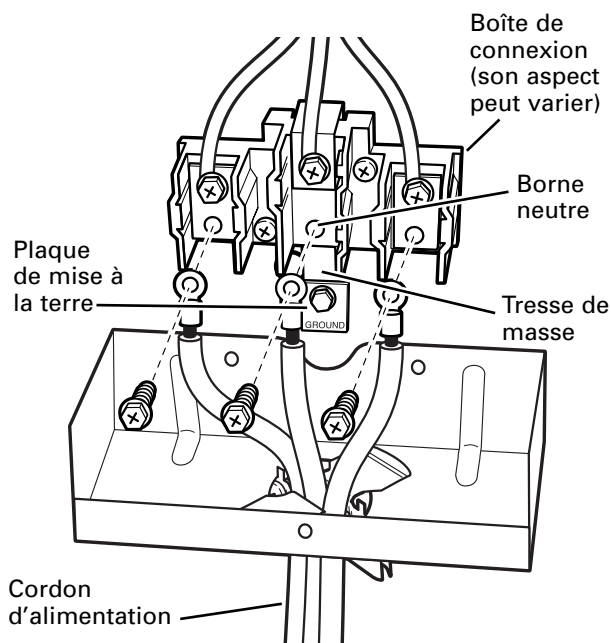
14 INSTALLATION AVEC CORDON D'ALIMENTATION À 3 FILS

⚠ AVERTISSEMENT : Vous devez brancher le fil neutre ou de mise à la terre du cordon d'alimentation à la borne neutre située au centre de la boîte de connexion. Vous devez brancher les fils de courant aux bornes situées en bas à gauche et à droite de la boîte de connexion.

A Enlevez les trois vis des bornes du bas de la boîte de connexion. Insérez les 3 vis des bornes dans les rondelles de borne du cordon d'alimentation et dans les bornes du bas de la boîte de connexion. Assurez-vous que le fil du centre (blanc/neutre) soit branché en bas au centre de la boîte de connexion. Serrez fort les vis dans la boîte de connexion.

N'ENLEVEZ JAMAIS la connexion à la tresse de masse.

⚠ AVERTISSEMENT : Avant de mettre le courant à votre appareil, assurez-vous que la tresse de masse soit branchée à la borne de connexion et à la borne neutre.



B Passez à l'étape 18 et continuez votre installation.

Instructions d'installation

BRANCHEMENT DE L'ÉLECTRICITÉ (SUITE)

15 INSTALLATION AVEC CORDON D'ALIMENTATION À 4 FILS

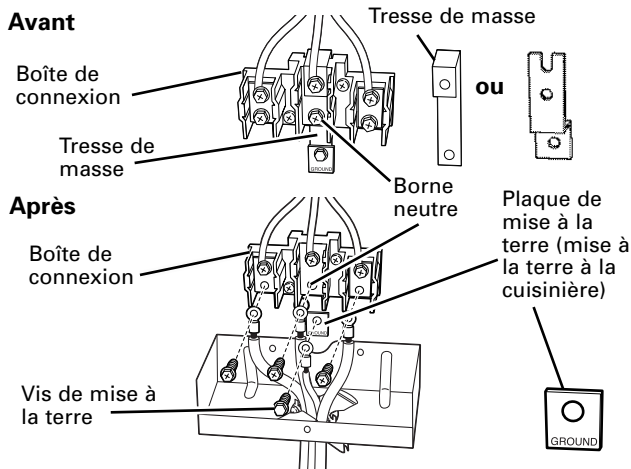
⚠ AVERTISSEMENT : Vous devez brancher le fil neutre du circuit d'alimentation électrique à la borne neutre située en bas au centre de la boîte de connexion. Vous devez brancher les fils de courant aux bornes situées en bas à gauche et à droite de la boîte de connexion. Vous devez brancher le fil de mise à la terre au châssis de la cuisinière avec la plaque de mise à la terre et la vis de mise à la terre.

A Enlevez les trois vis des bornes du bas de la boîte de connexion. Enlevez la vis de mise à la terre et la plaque de mise à la terre et mettez-les de côté.

B Coupez et jetez la tresse de masse. **NE JETEZ AUCUNE VIS.**

C Insérez la vis de mise à la terre dans la rondelle de borne du fil de mise à la terre du cordon d'alimentation, puis insérez-la dans la plaque de mise à la terre et dans le châssis de la cuisinière.

D Insérez les 3 vis de borne (enlevées plus tôt) dans les rondelles de borne du cordon d'alimentation et dans les bornes du bas de la boîte de connexion. Assurez-vous que le fil du centre (blanc/neutre) soit branché en bas au centre de la boîte de connexion. Serrez fort les vis dans la boîte de connexion.



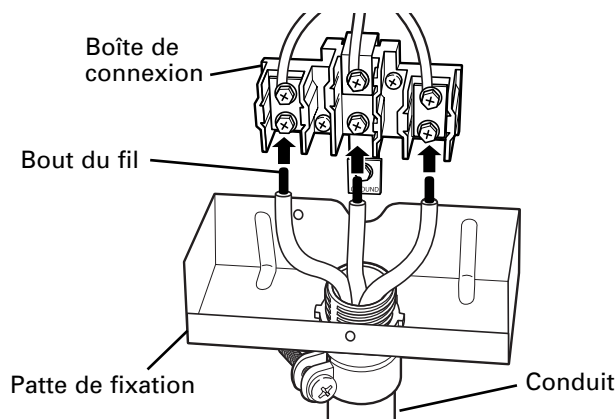
E Passez à l'étape 18 et continuez votre installation.

16 INSTALLATION AVEC CONDUIT À 3 FILS

A Desserrez les 3 vis des bornes situées en bas de la boîte de connexion. Insérez le bout du fil dénudé du centre (blanc/neutre) dans l'ouverture située en bas au centre de la boîte de connexion. Sur certains modèles, vous devez faire passer le fil par l'ouverture de la tresse de masse, puis par l'ouverture située en bas au centre de la boîte de connexion. Insérez les deux bouts de fils dénudés de côté dans les ouvertures situées en bas à gauche et à droite de la boîte de connexion. Serrez les vis jusqu'à ce que le fil tienne bien (35 à 50 po./lbs.). Ne serrez pas trop fort la vis, car vous risquez d'endommager les fils.

NOTE : FIL D'ALUMINIUM :

Vous pouvez utiliser du fil d'aluminium de construction, mais pour pouvoir le brancher, vous devez utiliser du fil d'aluminium du bon ampérage et voltage. Branchez les fils en suivant les étapes 16 ou 17, selon le nombre de fils.



Les fils utilisés, l'emplacement et l'isolement des épissures, etc. doivent se conformer aux bonnes pratiques d'installation des fils et aux codes locaux.

B Passez à l'étape 18 et continuez votre installation.

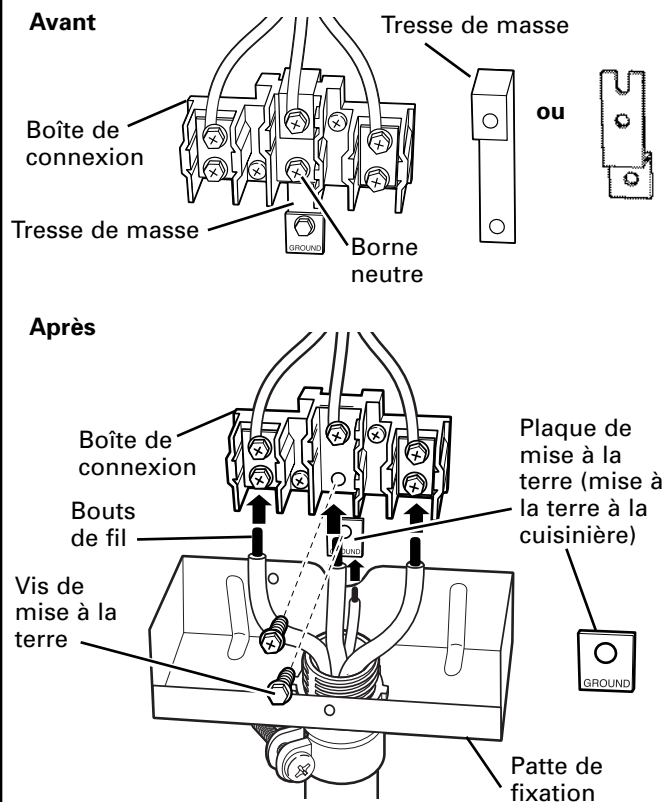
Instructions d'installation

17 INSTALLATION AVEC CONDUIT À 4 FILS

A Desserrez les 3 vis des bornes situées en bas de la boîte de connexion. Enlevez la vis de mise à la terre et la plaque de mise à la terre et mettez-les de côté.

Coupez et jetez la tresse de masse. NE JETEZ AUCUNE VIS.

B Insérez le bout du fil dénudé entre le châssis de la cuisinière et la plaque de mise à la terre (enlevée plus tôt) et fixez-le avec la vis de mise à la terre (enlevée plus tôt). Insérez le bout du fil dénudé (blanc/neutre) dans l'ouverture située en bas au centre de la boîte de connexion. Insérez les deux bouts de fils dénudés de côté dans les ouvertures situées en bas à gauche et à droite de la boîte de connexion. Serrez les vis jusqu'à ce que le fil tienne bien (35 à 50 po./lbs.). Ne serrez pas trop fort la vis, car vous risquez d'endommager les fils.



C Passez à l'étape 18.

18 REMETTEZ EN PLACE LE COUVERCLE DE FILS

NOTE : Quand vous remettez en place le couvercle de fils, assurez-vous de ne pas pincer les fils entre le couvercle et le boîtier des fils.

NOTE : Vous devez fixer le collier de mise à la terre quand vous utilisez le cordon à 3 fils.

- Les extrémités doivent être des bornes en boucle ou des bornes embrochables ouvertes.
- Sur certains modèles, vous pouvez brancher un condensateur de filtrage entre les fils de connexion noirs et de mise à la terre dans le bloc de connexion. N'enlevez pas le condensateur.

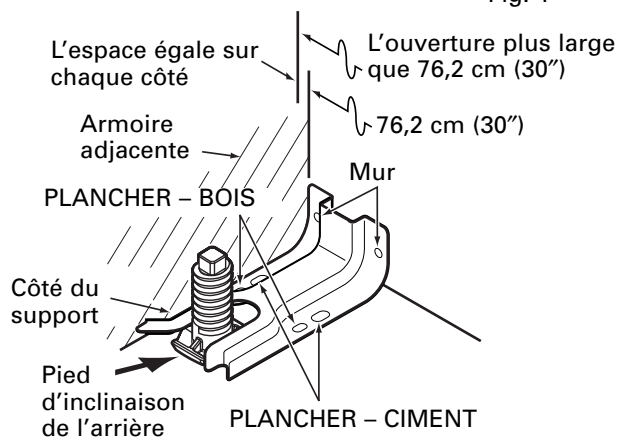
INSTALLATION DE LA CUISINIÈRE

19 INSTALLEZ LE SUPPORT ANTI-BASCULEMENT

A TROUVEZ LE SUPPORT

- Décidez si vous devez installer le support du côté droit ou du côté gauche de l'ouverture pour la cuisinière.
- Placez le support comme l'indique la figure 1.

Fig. 1



19 INSTALLEZ LE SUPPORT ANTI-BASCULEMENT (suite)

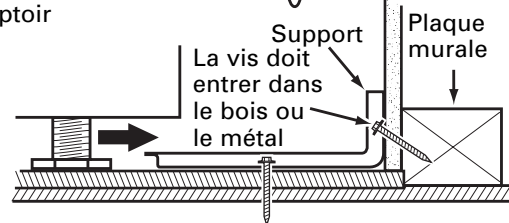
B INSTALLEZ LE SUPPORT DANS DU BOIS OU DANS DU CIMENT

INSTALLATION—CONSTRUCTIONS EN BOIS

- Trouvez le centre des 4 trous indiqués dans la figure 1 comme Plancher—Bois et Mur.
- Percez un trou pilote de 3 mm (1/8 po) dans les surfaces pré-marquées. Notez l'angle de la vis de mur dans la figure 2.
- Montez le support anti-basculement avec les 4 vis fournies.

Tranche avant du haut du comptoir

Fig. 2



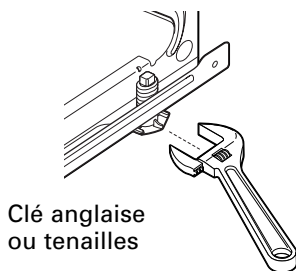
INSTALLATIONS—CONSTRUCTIONS EN CIMENT

- Pour une installation dans le ciment, vous aurez besoin de deux vis tire-fonds de 6 mm x 3,8 cm (1/4 po x 1-1/2 po) et deux manchons ancrages.
- Trouvez le centre des 4 trous indiqués dans la figure 1 comme Plancher—Ciment et Mur. Percez les trous de taille recommandée dans chaque centre.
- Mettez les manchons ancrages dans les trous pré-perçés dans le ciment et mettez les vis tire-fonds et les vis à mur dans le support anti-basculement. Assurez-vous de bien serrer les vis.

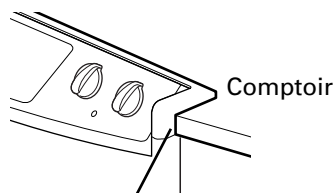
Instructions d'installation

20 FAITES GLISSER LA CUISINIÈRE DANS L'OUVERTURE

- A** Placez la cuisinière en face de l'ouverture de l'armoire.
- B** Assurez-vous que le support qui surplombe le comptoir libère le comptoir. Si nécessaire, soulevez l'appareil en descendant les pieds d'inclinaison.
- C** Poussez tout en soulevant la cuisinière dans l'ouverture, jusqu'à ce que la cuisinière se trouve à 5,1 cm (2 po) d'entrer dans le soutien anti-basculant.
- D** Enlevez la garniture protectrice du côté (s'il y en a une).
- E** À l'aide de la clé anglaise ou des tenailles, vissez avec soin la vis du pied d'inclinaison de l'arrière jusqu'à ce que le surplomb repose sur le comptoir.



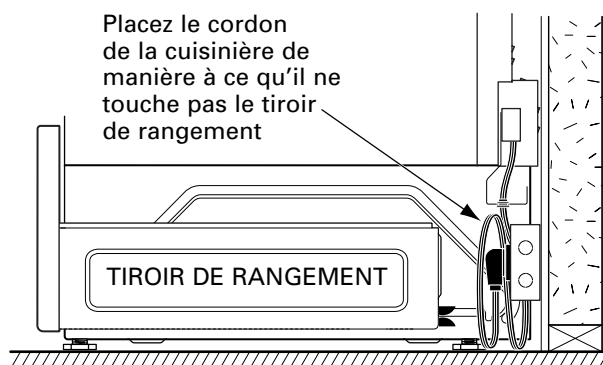
- F** Vissez avec soin les deux pieds d'inclinaison de devant (comme dans l'étape E) jusqu'à ce que le surplomb touche le comptoir.
- G** Poussez avec soin la cuisinière dans l'ouverture jusqu'à ce que le comptoir entre dans le panneau de contrôle. Le surplomb de la table de cuisson arrière doit couvrir l'ouverture.



Assurez-vous que l'arête du comptoir soit bien alignée au panneau de contrôle avant.

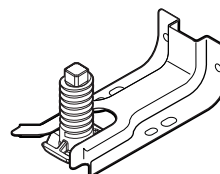
20 FAITES GLISSER LA CUISINIÈRE DANS L'OUVERTURE (suite)

- H** Branchez le cordon de la cuisinière dans le réceptacle. Placez le cordon à l'arrière de la cuisinière de manière à ce qu'il ne touche pas le tiroir ou ne change pas de place à cause du tiroir.



21 VÉRIFICATION FINALE DU SUPPORT ANTI-BASCULEMENT

Quand l'installation est terminée et la cuisinière est en place, vérifiez pour vous assurer que le pied d'inclinaison arrière est bien entré dans la fente du support anti-basculement.



Instructions d'installation

INSTALLATION DE LA CUISINIÈRE (SUITE)

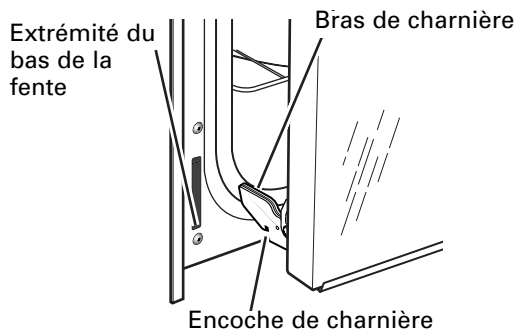
22 REMETTEZ EN PLACE LA PORTE DE LA CUISINIÈRE

NOTE : La porte de la cuisinière est lourde. Vous aurez peut-être besoin d'aide pour soulever la porte suffisamment haut pour la faire glisser dans les fentes de charnières. Ne soulevez jamais la porte par la poignée.

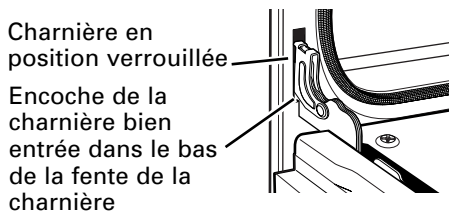
- A** Soulevez la porte de la cuisinière en plaçant une main de chaque côté. La porte est lourde, et vous aurez peut-être besoin d'aide. Ne soulevez jamais par la poignée.



- B** Avec la porte au même angle que dans la position d'enlèvement (à mi-chemin entre la position d'arrêt de grillade et la position fermée), mettez l'encoche du bras de charnière dans l'extrémité du bas de la fente de charnière. L'encoche du bras de charnière doit bien reposer dans le bas de la fente.



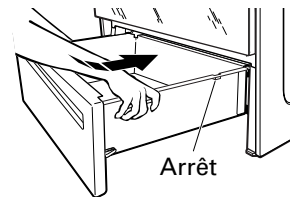
- C** Ouvrez la porte du four autant que vous le pourrez.
- D** Poussez les verrous de charnière vers le haut, contre le devant du châssis de la cavité de cuisinière, jusqu'en position verrouillée.



- E** Fermez la porte du four.

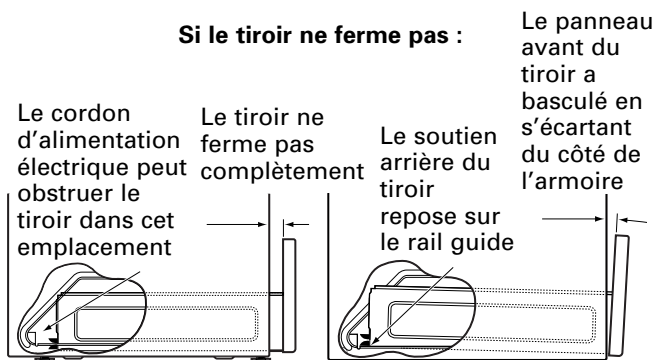
23 REMETTEZ EN PLACE LE TIROIR DE RANGEMENT

- A** Placez les rails du tiroir sur les guides.
- B** Poussez le tiroir à l'intérieur jusqu'à ce qu'il s'arrête.
- C** Soulevez l'avant du tiroir et poussez vers l'intérieur jusqu'à ce que les arrêts sortent des guides.
- D** Abaissez le devant du tiroir et poussez-le vers l'intérieur jusqu'à ce qu'il ferme.



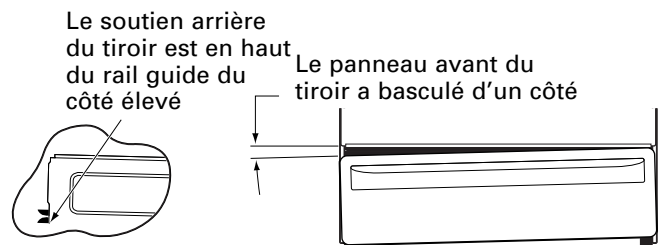
INSTRUCTIONS SPÉCIALES SI VOUS AVEZ DES PROBLÈMES À REMETTRE EN PLACE LE TIROIR DE RANGEMENT

Si le tiroir ne ferme pas :



Enlevez et remettez en place, en vous assurant que le cordon d'alimentation ne gêne pas le tiroir et/ou que le rail est dans le guide.

Si le tiroir est tordu :



Enlevez et remettez en place, en vous assurant que le rail est dans le guide.

Instructions d'installation

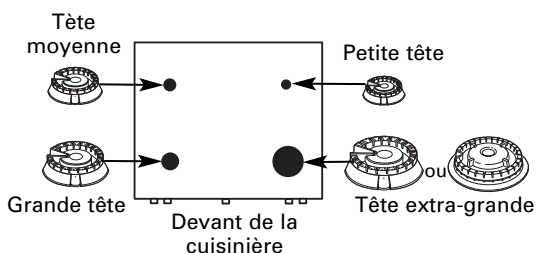
17 BRÛLEURS DE LA TABLE DE CUISSON

A ASSEMBLEZ LES BRÛLEURS

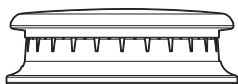
▲ MISE EN GARDE :

L'électrode de l'allumeur est exposée. Faites attention de ne pas pousser un contrôle de la table de cuisson quand le haut du brûleur est enlevé. N'enlevez jamais le haut d'un brûleur ou son électrode quand un autre brûleur est allumé. Cela risque de produire une secousse électrique.

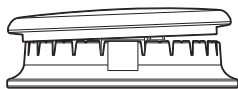
a. Remettez en place la tête de brûleur sur la base du brûleur, en vous assurant que la tête soit bien orientée sur la base de brûleur et l'électrode. Assurez-vous de bien mettre la bonne tête de brûleur sur la bonne base de brûleur et de bien mettre horizontalement la tête de brûleur sur sa base. Les têtes de brûleur ne sont pas interchangeables.



b. Placez les capuchons de brûleur sur les têtes de brûleur, en vous assurant de mettre le bon capuchon de brûleur sur la bonne tête de brûleur. Les capuchons de brûleur ne sont pas interchangeables. Assurez-vous que les capuchons de brûleur tiennent bien sur les têtes de brûleur.



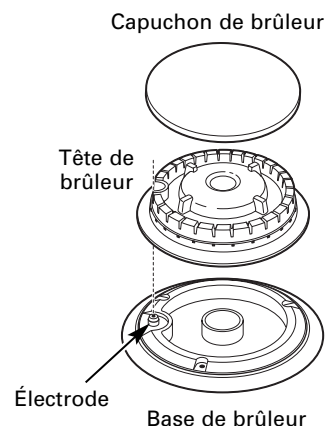
Capuchon de brûleur bien placé



Capuchon de brûleur pas bien placé

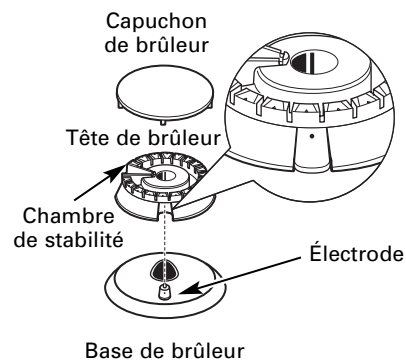
c. Brûleur avant droit

Assurez-vous que le trou de l'ensemble de tête de brûleur soit bien placé sur l'électrode de manière à ce que la tête de brûleur pénètre bien dans la base de brûleur. Un petit espace libre entre la base et la tête est normal.

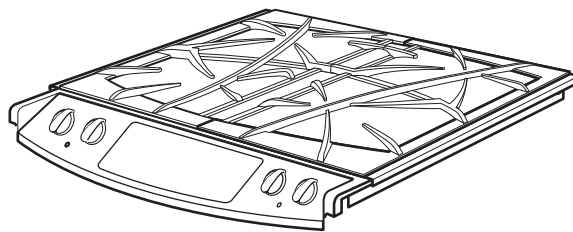


Brûleur avant gauche, brûleur arrière droit et brûleur arrière gauche

Assurez-vous que la fente de la tête de brûleur soit bien placée sur l'électrode. Le capuchon de brûleur a trois ou quatre broches. Quand vous mettez en place le capuchon, assurez-vous qu'aucune broche ne repose sur la chambre de stabilité.



d. Placez les grilles de brûleur sur les brûleurs.



Instructions d'installation

INSTALLATION DE LA CUISINIÈRE (SUITE)

B VÉRIFIEZ QU'IL N'Y A PAS DE FUITE

Allumez l'alimentation de gaz et utilisez un détecteur de fuite liquide (solution savonneuse) sur tous les joints et les connexions pour vérifier qu'il n'y a pas de fuite. **N'utilisez jamais une flamme vive pour chercher les fuites.** Assurez-vous d'arrêter toutes les fuites avant d'allumer les brûleurs.

C INFORMATION D'ESSAI DE PRESSION

La pression d'alimentation maximum permise pour le régulateur est 14 po W.C. La pression d'alimentation minimum nécessaire pour vérifier le régulateur est 7 po W.C. pour le gaz naturel et 10 po W.C. pour le gaz de pétrole liquéfié.

⚠ AVERTISSEMENT : Vous devez débrancher la cuisinière et son robinet d'arrêt du système de conduite d'alimentation de gaz pendant tout essai de pression du système d'alimentation de gaz de plus de 1/2 psig (livre par pouce au carré). Vous devez isoler la cuisinière du système de conduite d'alimentation de gaz en fermant son robinet d'arrêt pendant tout essai de pression du système d'alimentation de gaz à des pressions d'essai égales ou supérieures à 1/2 psig.
REMARQUE : 1/2 psig = 13.855 po w.c.

D VÉRIFIEZ LES ALLUMEURS

Vous devez vérifier le fonctionnement des allumeurs électriques après avoir vérifié soigneusement l'absence de fuite et après avoir branché la table de cuisson à l'alimentation électrique.

- Ouvrez l'alimentation de gaz.
- Poussez et tournez le robinet en position LITE (allumer).
 - Le robinet du brûleur doit s'allumer quand il y a du gaz dans le brûleur.
 - Une fois que le brûleur s'allume, il faut l'enlever de la position LITE (allumer).
- Essayez chaque robinet séparément jusqu'à avoir vérifié tous les brûleurs.

E ALLUMAGE DES BRÛLEURS

Ignition par étincelle de la table de cuisson— Quand vous mettez le bouton de la table de cuisson en position LITE (allumer), l'allumeur à étincelle fait une série d'étincelles électriques (sons de crépitement) qui allument le brûleur. Pendant une panne de courant, les brûleurs n'allumeront pas automatiquement. En cas d'urgence, vous pouvez allumer un brûleur de la table de cuisson à l'aide d'une allumette en suivant les étapes suivantes :

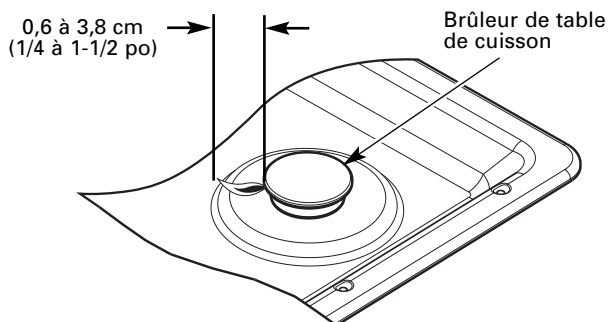
⚠ AVERTISSEMENT : Il est dangereux d'allumer les brûleurs à gaz avec une allumette. Vous ne devez allumer un brûleur avec une allumette qu'en cas d'urgence.

- Allumez une allumette et tenez la flamme près du brûleur que vous voulez allumer. Les allumettes en bois fonctionnent le mieux.
- Poussez vers l'intérieur et tournez lentement le bouton de contrôle. Assurez-vous de tourner le bon bouton pour le brûleur que vous allumez.

REMARQUE : Si le brûleur ne s'allume pas en cinq secondes, tournez le bouton en position OFF (arrêt) et attendez cinq minutes avant de recommencer.

F FLAMMES DU BRÛLEUR

Allumez chaque brûleur. Les flammes doivent être bleu sans trace de jaune. Les flammes du brûleur ne doivent pas scintiller ou s'écarter du brûleur. La flamme ne peut pas être plus petite que 1/4 po en réglage le plus bas et ne doit pas être plus grande que 1-1/2 po en réglage le plus haut.



Vous devez vérifier fréquemment les brûleurs.

⚠ AVERTISSEMENT : Si vous essayez de mesurer la flamme, faites bien attention. Vous pouvez vous brûler.

Instructions d'installation

25 PRÉPARATION POUR UNE AUTRE CONSTRUCTION

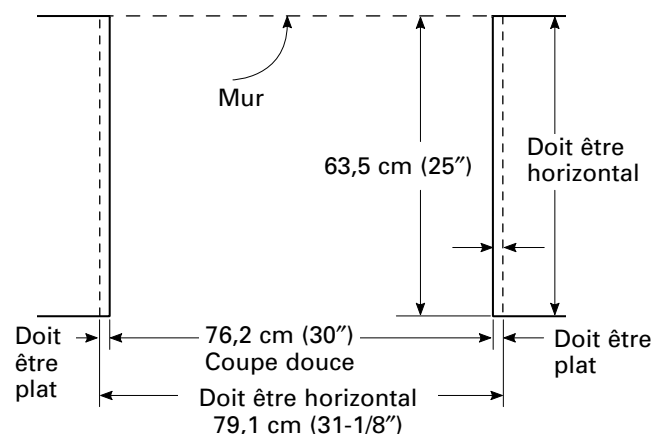
A TROUSSE DE REMPLISSAGE DU HAUT OU TROUSSE D'APPUI EN OPTION

Si l'ouverture s'étend jusqu'au mur, elle nécessitera la trousse de remplissage du haut (fournie avec la cuisinière) ou la trousse de dossier (JXS32XX ou JXS37XX) pour remplir la fente.

NOTE : Si le comptoir est plus grand que 63,5 cm (25 po), il y aura une fente entre le dossier et le mur ou entre la trousse de remplissage et le mur.

Si le comptoir est inférieur à 63,5 cm (25 po), il y aura une fente entre le devant du comptoir et les extrémités du panneau de contrôle (voir l'étape 8).

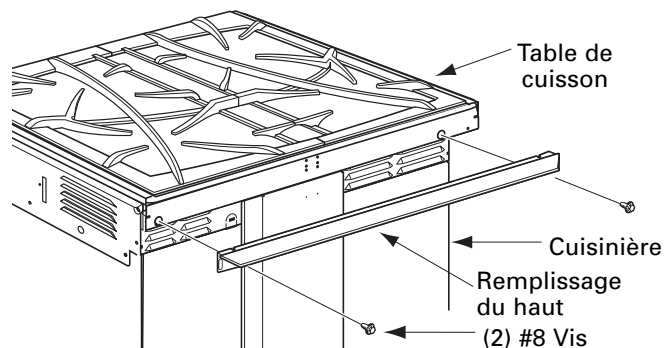
Si vous utilisez la trousse de dossier en option, consultez les instructions de la trousse de dossier pour obtenir les détails de l'installation.



Si vous utilisez la trousse de remplissage, placez la pièce de remplissage en métal fournie avec la cuisinière dans l'arrière de la cuisinière comme le montre la figure ci-dessus. Engagez les 2 vis dans les trous du haut à l'extérieur arrière de la cuisinière et par les fentes de la garniture, en tenant la pièce de remplissage centrée sur le châssis du haut et en poussant vers l'avant pour réduire l'écart entre le bas de la table de cuisson et la garniture de remplissage.

Quand la garniture est posée dans la bonne position, serrez les 2 vis de montage. Le haut de la garniture doit se trouver au-dessous de la surface le haut de la table de cuisson pour empêcher les casseroles, les poelles et les ustensiles de cuisine d'endommager les pièces peintes.

Consultez l'installation normale de la cuisinière page 26.



B POUR UNE INSTALLATION NON ENCASTRÉE (EMPLACEMENT EN EXTRÉMITÉ DE L'ARMOIRE)

Quand vous installez la cuisinière à l'extrémité d'une section d'armoire qui expose le côté non fini de la cuisinière, utilisez la trousse de côté de cuisinière (JXS77XX). Consultez les instructions de la trousse pour les détails de l'installation.

INSTALLATION DE LA CUISINIÈRE (SUITE)

25 PRÉPARATIONS POUR UNE AUTRE CONSTRUCTION (suite)

C INSTALLATION EN ÎLOT

Fixez le support anti-basculement selon les instructions de l'étape 19, en vous assurant que l'arrière du support est à 63,5 cm (25 po) de l'avant du comptoir.

Soyez conscient que les vis fournies sont longues et peuvent transpercer les armoires de l'îlot. Dans ce cas, utilisez des vis plus courtes (pas fournies) ou les vis fournies pour être utilisées dans le plancher (consultez l'étape 19B pour l'installation sur un plancher en bois/ciment).

N'utilisez pas la trousse de dossiereret JXS32XX ou JXS37XX.

D ARMOIRES SUR LA CUISINIÈRE À MOINS DE 76,2 CM (30 PO)

Si vous ne pouvez pas assurer un espace libre de 76,2 cm (30 po) entre la surface de cuisson et un matériau combustible placé au-dessus ou des armoires de métal, protégez le bas des armoires situées au-dessus de la table de cuisson par au moins un carton isolant d'au moins 6 mm (1/4 po) couvert de toile épaisse au moins .3098 mm (0,0122 po).

26 LISTE DE VÉRIFICATION DE FONCTIONNEMENT

- Vérifiez deux fois pour vous assurer de bien avoir tout terminé, dans ce guide. Les étapes de re-vérification assureront une utilisation sécuritaire de la table de cuisson.
- Assurez-vous que tous les boutons de contrôle se trouvent en position OFF (arrêt).
- Assurez-vous que la circulation de la combustion et de l'air de ventilation de la table de cuisson ne soit pas gênée.
- La plaque minéralogique de votre cuisinière est située sous la porte du four au-dessus de l'aire de rangement. Elle vous indique les valeurs des brûleurs et la catégorie de carburant et la pression à laquelle la table de cuisson a été ajustée au départ de la fabrique.
- Quand vous commandez des pièces, indiquez toujours le numéro de série et le numéro de modèle pour assurer de bonnes pièces de rechange.
- **Étapes de double vérification : Vérifiez une deuxième fois pour vous assurer d'avoir bien suivi toutes les instructions de ce guide. Cette deuxième vérification assurera une utilisation de la cuisinière en toute sécurité.**

Veillez consulter les instructions de conversion au gaz de pétrole liquéfié fournies avec cette cuisinière quand vous utilisez du gaz de pétrole liquéfié.

NOTE : Les instructions sont fixées au support de régulateur.

Notes

Notes

Instrucciones de instalación

Cocina empotrable autolimpiante de combustible dual

P2S975



¿Preguntas? Llame al 800.GE.CARES (800.432.2737) o visite nuestro sitio Web al: ge.com
En Canadá, llame al 1.800.361.3400 o visite nuestro sitio Web al: www.geappliances.ca

EN LA MANCOMUNIDAD DE MASSACHUSETTS:

- Este producto debe instalarlo un plomero matriculado o un instalador de gas.
- Cuando use válvulas esféricas de apagado de gas, deberán ser del tipo de manija en T.
- Si se usa una conexión flexible para gas, ésta no debe superar los 3 pies.

ANTES DE COMENZAR

Lea estas instrucciones por completo y con detenimiento.

- **IMPORTANTE** — Guarde estas instrucciones para el uso de inspectores locales.
- **IMPORTANTE** — Cumpla con todos los códigos y ordenanzas vigentes.
- **Nota al instalador** – Asegúrese de dejar estas instrucciones con el Consumidor.
- **Nota al consumidor** – Conserve estas instrucciones para referencia futura.
- La Garantía no cubre las fallas del producto debido a una instalación incorrecta.

⚠ ADVERTENCIA — Este artefacto debe tener una correcta conexión a tierra.

- Una instalación adecuada es responsabilidad del instalador y la garantía **NO** cubre las fallas del producto debido a una instalación incorrecta.

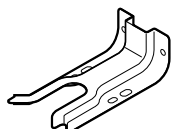
PIEZAS INCLUIDAS



2 tornillos para relleno



Tornillos

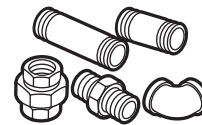


Soporte anti-volcaduras

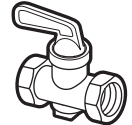
MATERIALES NECESARIOS



Sellador de juntas



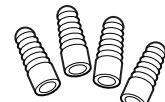
Accesorios de tubería



Válvula de apagado



Pernos de fijación



Mangos de anclaje

(Sólo para pisos de concreto)



Tubería flexible de gas aprobada por CSA de 3/8" Min. ID, Conexión NPT de 1/2", Longitud máxima de 3 pies (sólo Massachusetts)

HERRAMIENTAS NECESARIAS



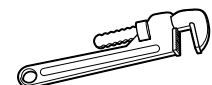
Llave de tuercas de 1/4"



Nivel



Destornillador Phillips



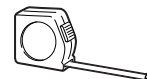
Llave para tubos



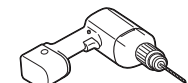
Destornillador de lados planos



Llave o pinzas (para tuerca de 1-7/16")



Cinta métrica



Perforadora



Gafas de seguridad

Instrucciones de instalación

INSTRUCCIONES DE SEGURIDAD IMPORTANTES

PARA SU SEGURIDAD:

▲ ADVERTENCIA — Si la información de este manual no se sigue al pie de la letra, puede ocasionarse un incendio o una explosión, generando daños a la propiedad, lesiones personales o la muerte.

¡No almacene o use gasolina u otros vapores o líquidos inflamables cerca de este o cualquier otro artefacto!



QUÉ HACER SI HUELE GAS:

- No trate de encender ningún artefacto. No toque ningún interruptor eléctrico, ni utilice ningún teléfono en su edificio.
- Inmediatamente llame a su proveedor de gas desde el teléfono de un vecino. Siga las instrucciones del proveedor de gas.
- Si no puede comunicarse con el proveedor de gas, llame al departamento de bomberos.

La instalación y servicio técnico deben realizarlos un instalador calificado, una agencia de servicio o el proveedor de gas.

Esta cocina ha sido diseñada y certificada por UNDERWRITERS LABORATORIES para ser usada en los Estados Unidos y Canadá. Encontrará las precauciones de seguridad en el Manual de Usuario. Léalas con detenimiento.

- La instalación de esta cocina debe cumplir con los códigos locales o en la ausencia de códigos locales con el Código Nacional de Gas Combustible, ANSI Z223.1-Última edición.
- Verifique que un instalador o un técnico calificados instalen su cocina correctamente.
- Para eliminar tener que inclinarse sobre los quemadores de superficie, debe evitarse la instalación de alacenas por encima de la cocina.
- No instale la unidad cerca de una puerta externa o donde pueda verse afectada por una corriente de aire.

PARA SU SEGURIDAD:

▲ ADVERTENCIA — Para seguridad personal, quite los fusibles o abra el disyuntor antes de comenzar la instalación. No hacerlo puede provocar una lesión personal grave o la muerte.

Debe cumplirse con todas las dimensiones de instalaciones ocultas y de espacio para lograr un uso seguro de la cocina. La conexión de electricidad hacia la cocina puede desconectarse desde el tomacorriente sin tener que mover la cocina si el tomacorriente se encuentra en la posición preferida (quite el cajón inferior).

Para reducir el riesgo de quemaduras o incendios cuando se incline sobre los elementos de superficie calientes, debe evitarse la instalación de alacenas sobre el anafe. Si los gabinetes deben colocarse sobre el anafe, puede reducirse el riesgo instalando una campana de cocina que sobresalga por lo menos 5" más allá del frente de las alacenas. Los gabinetes instalados por encima del anafe no deben ser más profundos de 13".

Asegúrese de que un técnico calificado realice una correcta instalación y puesta a tierra del artefacto.

Instrucciones de instalación

DISPOSITIVO ANTI-VOLCADURAS

⚠ ADVERTENCIA — Para reducir el riesgo de volcaduras, el artefacto debe asegurarse mediante la correcta instalación del soporte anti-volcaduras incluido con este artefacto.

Si el dispositivo anti-volcaduras suministrado con la cocina no se adecua a esta aplicación, utilice el dispositivo anti-volcaduras universal WB2X7909. Saltee los Pasos 4, 19 y 21.

Para verificar que el soporte esté instalado y trabado correctamente, con cuidado incline la cocina hacia delante. El dispositivo anti-volcaduras debe accionarse y evitar que la cocina caiga hacia adelante.



⚠ ADVERTENCIA —

- Todas las cocinas pueden volcarse
- Pueden provocarse lesiones personales
- Instale el soporte anti-volcaduras incluido con esta cocina
- Ver las instrucciones de instalación



Si separa la cocina de la pared por cualquier razón, asegúrese de que el soporte anti-volcaduras esté enganchado cuando se vuelva a colocar la cocina contra la pared.

REQUERIMIENTOS ELÉCTRICOS

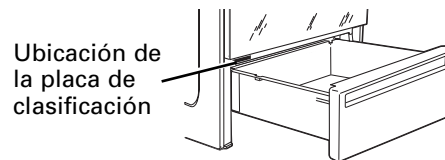
Este artefacto debe abastecerse con el voltaje y frecuencia adecuados y debe conectarse en un circuito derivado individual con correcta conexión a tierra, protegido por un disyuntor o fusible que tenga una clasificación de amperaje recomendada por la tabla siguiente.

TAMAÑO DE DISYUNTOR O FUSIBLE

240V	40 Amperes
208V	40 Amperes

NOTA: Verifique los códigos locales para tamaño de disyuntor requerido.

La placa de clasificación se encuentra ubicada sobre el cajón de almacenamiento debajo del marco del horno.



Recomendamos que un electricista calificado conecte el cableado eléctrico y su cocina. Después de la instalación, solicite al electricista que le muestre donde se encuentra la desconexión principal.

Consulte a las empresas de servicio público los códigos eléctricos que se aplican en su área. No realizar el cableado de su cocina de acuerdo con los códigos vigentes puede provocar una situación peligrosa. Si no hay códigos, su cocina debe contar con cables y fusibles que cumplan con los requisitos del Código Eléctrico Nacional, ANSI/NFPA No. 70—Última edición. Usted puede obtener una copia por escrito en:

National Fire Protection Association
Batterymarch Park
Quincy, MA 02269

Vigente desde el 1 de enero de 1996, el Código Eléctrico Nacional requiere que las nuevas construcciones, pero no existentes, utilicen una conexión de cuatro conductores a una cocina eléctrica. Cuando instale una cocina eléctrica en una nueva construcción, una casa rodante, un vehículo recreativo o un área donde los códigos locales prohíben la conexión a tierra a través de un conductor neutral, siga las instrucciones de la sección sobre CONEXIÓN EN NUEVAS CONSTRUCCIONES Y EN CIRCUITO DERIVADO DE CUATRO CONDUCTORES.

En Canadá, su cocina debe contar con cables y fusibles que cumplan con los requerimientos del Código Eléctrico Canadiense. Usted debe usar un sistema eléctrico de tres clavijas, fase única AC de 208Y/120 voltios o 240/120 voltios, 60 hertz.

Instrucciones de instalación

LISTA DE CONTROL PRE-INSTALACIÓN

1 INSPECCIONE LA UBICACIÓN DE LA INSTALACIÓN

Vea la sección de construcción alternativa para las siguientes instalaciones no estándar.

A La apertura de la mesada se extiende hasta la pared:

Relleno de superficie (incluido con la cocina). (Ver página 57 para Instrucciones de instalación) o Protección trasera (Kit JXS32XX o JXS37XX).

B Altura de la mesada superior a 36-3/4":

Recorte inferior deslizante (Kit JXS56XX).

C Un lado no está cubierto por el gabinete:

Cuerpo lateral (Kit JXS77XX).

D Instalación en isla:

Para ofrecer una instalación óptima, la superficie superior de la mesada debe estar nivelada y plana (en el mismo plano) alrededor de los 3 lados adyacentes al anafe de la cocina. Deben realizarse ajustes adecuados para que la parte superior esté plana, de lo contrario pueden producirse espacios entre la mesada y el anafe de la cocina. Forzar el anafe para que entre bien puede provocar espacios excesivos.

Para obtener kits:

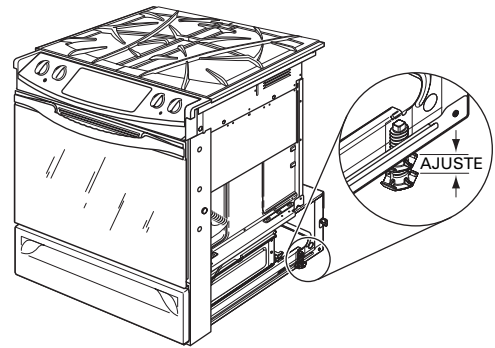
- Visite el sitio Web de GE (ver página 41)
- Llame al Centro de Respuestas GE (ver página 41)
- Comuníquese con el vendedor

2 DESPLACE LA COCINA AL INTERIOR FRENTE A LA ABERTURA DEL GABINETE

No utilice carritos cuando desplace la cocina sin empaque.

3 PROTEJA EL PISO DE LA COCINA

Aplaste un pedazo de cartón de empaque y colóquelo frente a la ubicación de la instalación para proteger el piso.



4 CON CUIDADO, INCLINE LA COCINA PARA ACCEDER A LAS PATAS NIVELADORAS

Utilice una llave ajustable para extraer las patas a fin de que la brida de soporte libere la parte superior de la mesada.

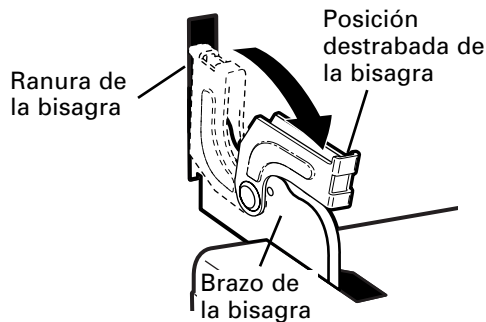
Instrucciones de instalación

5 QUITAR LA PUERTA SI FUERA NECESARIO

La remoción de la puerta no es un requerimiento de la instalación del producto, pero es una comodidad agregada. Para quitar la puerta:

A DESTABE LAS BISAGRAS

Presione las trabas de la bisagra hacia abajo en dirección del marco de la puerta hasta desabrarlas. Para esto puede hacer falta un destornillador de lados planos.



B COLOQUE LA PUERTA

Coloque las manos en ambos lados de la puerta y cierre la puerta del horno hasta la posición de remoción. Esto es medio camino entre la posición de asado y completamente cerrada.



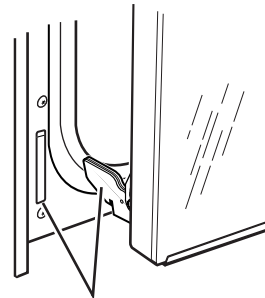
5 QUITAR LA PUERTA SI FUERA NECESARIO (cont.)

C LEVANTE LA PUERTA

Levante la puerta hasta que el brazo de la bisagra haya salido de la ranura.

NO LEVANTE LA PUERTA DE LA MANIJA.

NOTA: La puerta del horno es muy pesada. Asegúrese de tener un agarre firme antes de levantar la puerta del horno de sus bisagras. Tenga cuidado una vez que haya quitado la puerta. No deposite la puerta sobre la manija. Esto puede provocar abolladuras o rayones.



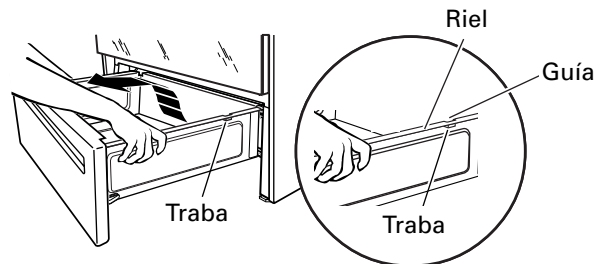
La bisagra sale de la ranura

6 QUITAR LOS MATERIALES DE EMPAQUE

También quite las etiquetas de la puerta, el plástico del recorte y panel y toda la cinta alrededor de la cocina.

7 QUITAR EL CAJÓN DE ALMACENAMIENTO

A Tire del cajón hacia fuera hasta que se detenga.



B Levante el frente del cajón hasta que las trabas superen las guías.

C Tire hacia adelante y quite el cajón.

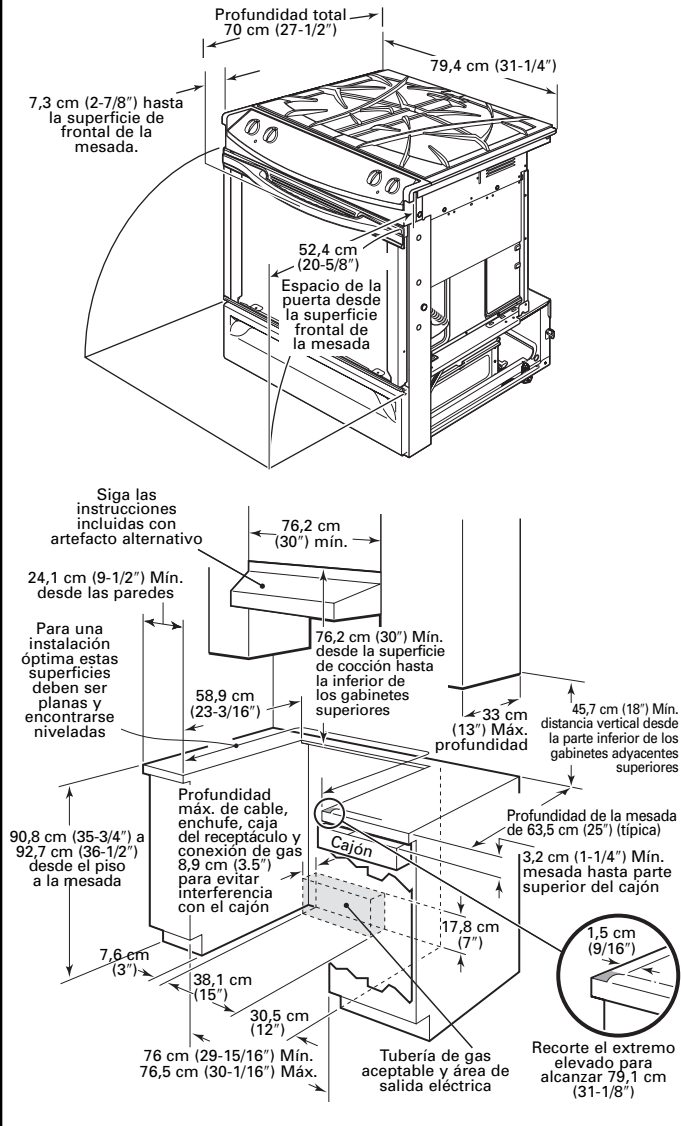
Instrucciones de instalación

LISTA DE CONTROL PRE-INSTALACIÓN (CONT.)

8 RECORTES DE PRE-INSTALACIÓN Y ESPACIOS REQUERIDOS

Si los gabinetes se colocan a menos de 30" sobre la cocina, ver Construcción alternativa, Paso 25D, en la página 58.

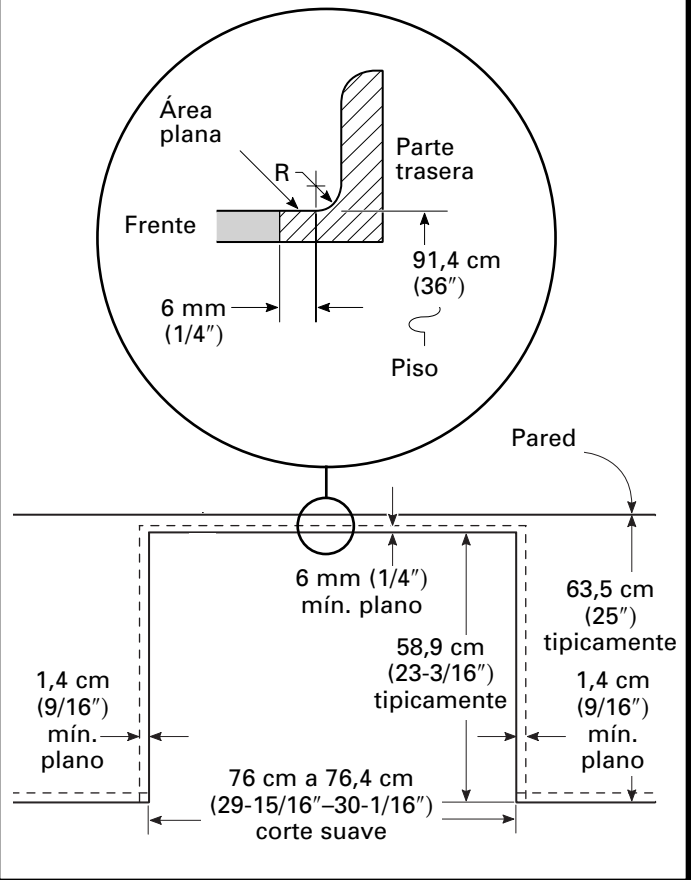
Las coberturas de pared, las mesadas y gabinetes ubicados alrededor de la cocina deben poder soportar el calor (hasta 194°F) generado por el artefacto.



9 INSTALACIÓN ESTÁNDAR

Si la construcción de su gabinete no puede ofrecer un área plana de 6 mm (1/4") en la parte trasera de la abertura de la mesada, considere cambiar la mesada para adaptar esta dimensión. Ver la sección de Construcción alternativa.

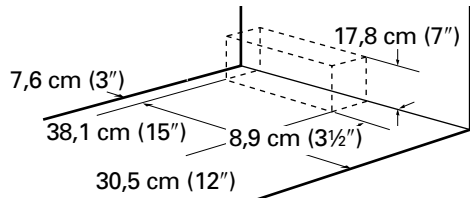
NOTA: Debe mantenerse un espacio mínimo de 3,8 cm (1-1/2") entre el extremo trasero del anafe y la pared trasera sobre el anafe.



Instrucciones de instalación

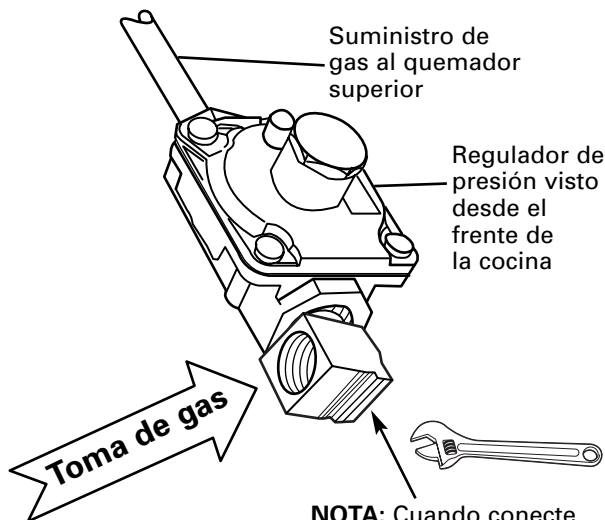
CONEXIONES DE GAS

10 CÓMO HACER LAS CONEXIONES



- A** Instale una válvula de apagado manual en la tubería de suministro de gas en una ubicación fácilmente accesible.
- B** Averigüe cómo y dónde apagar el suministro de gas hacia la cocina.
- C** Desconecte el suministro de gas antes de quitar la cocina antigua. Déjelo desconectado hasta finalizar la conexión de la nueva cocina.
- D** Dado que las tuberías sólidas restringen el movimiento de la cocina, recomendamos el uso de un conector de artefactos de metal flexible certificado C.S.A.

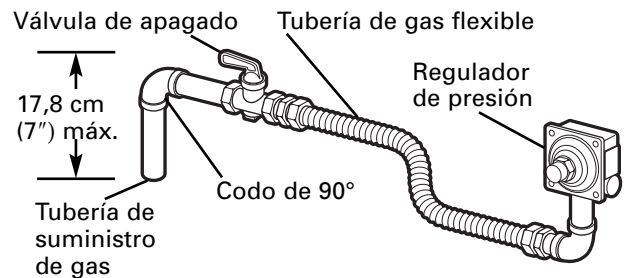
⚠ ADVERTENCIA: Nunca vuelva a utilizar conectores flexibles usados. El uso de conectores flexibles usados pueden provocar pérdidas de gas y lesiones personales. Siempre utilice conectores flexibles nuevos cuando instale un artefacto de gas.



NOTA: Cuando conecte el adaptador de unión cónica, sostenga la toma de gas firmemente con una llave.

10 CÓMO HACER LAS CONEXIONES (cont.)

- E** Instale el adaptador de unión cónico de 1/2" en el codo NPT de 1/2" del regulador de presión.
- F** Conecte la conexión de artefacto flexible a la unión cónica.
- G** Desplace la cocina hasta la posición aproximada y conecte la conexión flexible a la tubería de suministro de gas con un adaptador de unión cónica adecuado.



- H** Para evitar pérdidas de gas, coloque un sellador de juntas de tuberías o cinta de Teflon® en todas las roscas macho.
NOTA: Verifique que el sellador o la cinta sean compatibles con el gas natural o PL.
- I** Cuando haya terminado de hacer conexiones, asegúrese de que todas las perillas de la cocina estén en la posición OFF (apagado) antes de abrir la válvula principal de suministro de gas.

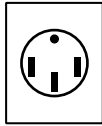
⚠ ADVERTENCIA: No utilice una llama para verificar pérdidas de gas. Utilice un detector de pérdidas líquido en todas las juntas y conexiones para constatar pérdidas en el sistema.

Instrucciones de instalación

CONEXIONES ELÉCTRICAS

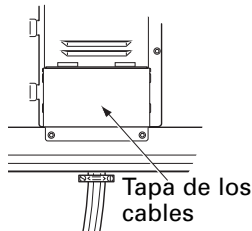
La cocina se envía con un cable de energía de 4 espigas. Si su tomacorriente se parece al ilustrado, salte al paso 19 y continúe.

NEMA 14-50R
4 espigas



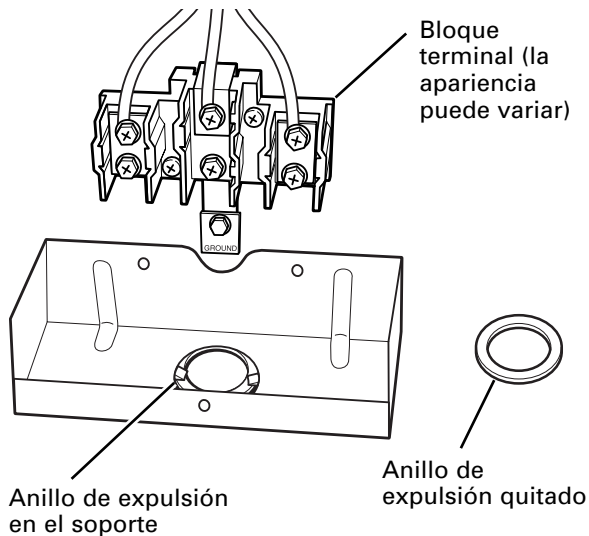
11 INSTALACIÓN DE CABLE DE ENERGÍA Y DE ALIVIO DE TENSION

- A** Quite la tapa del cable (en la parte trasera de la cocina) quitando 2 tornillos mediante una llave de tuercas de 1/4".



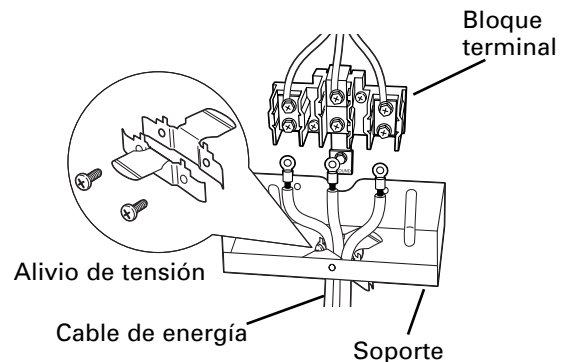
No elimine esos tornillos.

- B** Quite el anillo de expulsión 3,5 cm (1-3/8") del soporte ubicado directamente debajo del bloque terminal. Para quitar la expulsión, utilice un par de pinzas para doblar el anillo de expulsión lejos del soporte y gire hasta remover el anillo.



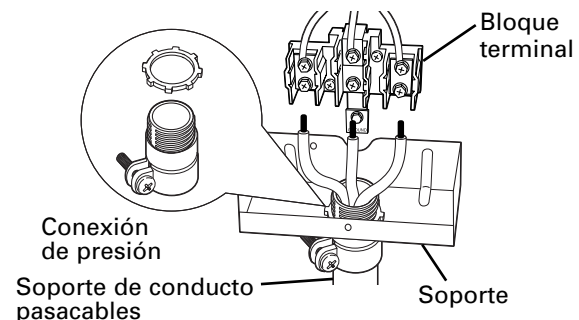
- C** Para instalaciones de cable de energía solamente (ver el paso siguiente si utiliza un conducto portacables), instale el alivio de tensión en el orificio. Introduzca el cable de energía a través del alivio de tensión y ajuste. Deje un largo suficiente para poder conectar las terminales de cable al bloque terminal. Si hay lengüetas al final del alivio de tensión con alas, éstas pueden quitarse para un ajuste mejor.

NOTA: No instale el cable de energía sin un alivio de tensión. El soporte del alivio de tensión debe instalarse antes de volver a colocar la tapa del cableado trasero de la cocina.



- D** Para instalaciones con conducto portacables solamente, adquiera una conexión de presión que se ajuste al diámetro de su conducto e instálelo en el orificio. Introduzca el conducto a través de la conexión de presión y ajuste. Deje un largo suficiente para poder conectar los cables al bloque terminal.

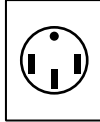
NOTA: No instale el conducto pasacables sin una conexión de presión. La conexión de presión debe instalarse antes de volver a colocar la tapa del cableado trasero de la cocina.



Instrucciones de instalación

12 NUEVA CONSTRUCCIÓN Y CIRCUITO DERIVADO DE CUATRO CONDUCTORES

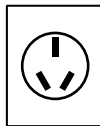
Todas las nuevas construcciones, ^{NEMA 14-50R} casas rodantes, vehículos recreativos e instalaciones donde los códigos locales no permitan la conexión a tierra a través de un neutral deben utilizar el cable de 4 espigas provisto.



13 PARA UNA CONSTRUCCIÓN EXISTENTE, PUEDE USARSE UN EQUIPO DE CABLE FLEXIBLE DE TRES ESPIGAS

Cable de 3 espigas 208/240 40 amperes

Siga las instrucciones del paso 14 si requiere un cable de 3 espigas:



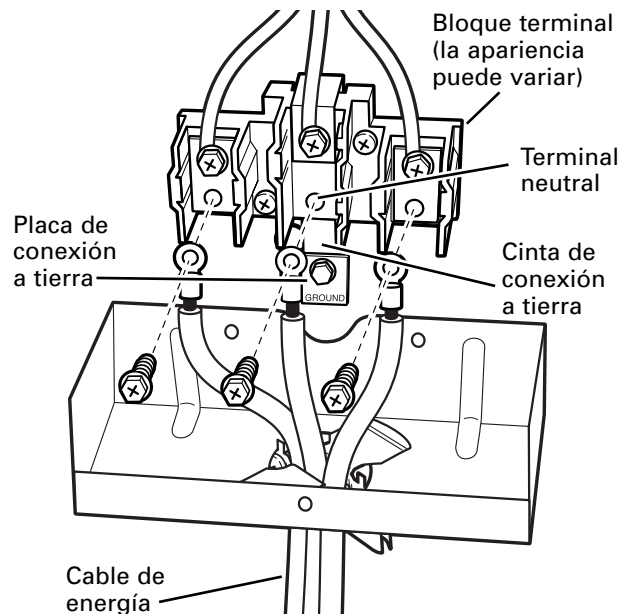
14 CABLE DE ENERGÍA DE 3 ESPIGAS INSTALACIÓN

⚠ ADVERTENCIA: El cable neutral o a tierra del cable de energía debe estar conectado a la terminal neutral ubicada en el centro del bloque terminal. Los cables de energía deben estar conectados a las terminales inferior izquierda e inferior derecha del bloque terminal.

A Quite los 3 tornillos inferiores del bloque terminal. Introduzca los 3 tornillos de terminal a través de cada anillo de terminal de cable de energía y dentro de las terminales inferiores del bloque terminal. Asegúrese de que la espiga central (blanca/neutral) está conectada a la posición central inferior del bloque terminal. Ajuste bien los tornillos al bloque terminal.

NO QUITE la cinta de conexión a tierra.

⚠ ADVERTENCIA: Antes de energizar la unidad, verifique que la cinta de conexión a tierra esté unida al bloque terminal y la placa de conexión a tierra.



B Siga con el Paso 18 y continúe con la instalación.

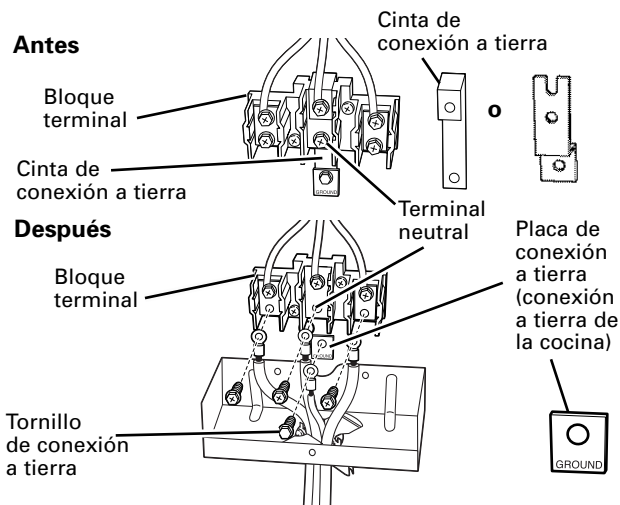
Instrucciones de instalación

CONEXIONES ELÉCTRICAS (CONT.)

15 INSTALACIÓN DE CABLE DE ENERGÍA DE 4 ESPIGAS

⚠ ADVERTENCIA: El cable neutral del circuito de suministro debe estar conectado a la terminal neutral ubicada en el centro inferior del bloque terminal. Los cables de energía deben estar conectados a las terminales inferior izquierda e inferior derecha del bloque terminal. El cable a tierra debe estar conectado al marco de la cocina con la placa de conexión a tierra y el tornillo a tierra.

- A** Quite los 3 tornillos inferiores del bloque terminal. Quite el tornillo a tierra y la placa de conexión a tierra y consérvelos.
- B** Corte y descarte la cinta de conexión a tierra. **NO ELIMINE NINGÚN TORNILLO.**
- C** Introduzca el tornillo de conexión a tierra dentro del anillo terminal de conexión a tierra del cable de energía, a través de la placa de conexión a tierra dentro del marco de la cocina.
- D** Introduzca los 3 tornillos de terminal (quitados antes) a través de cada anillo de terminal de cable de energía y dentro de las terminales inferiores del bloque terminal. Asegúrese de que el cable central (blanco/neutral) esté conectado a la posición central inferior del bloque terminal. Ajuste bien los tornillos al bloque terminal.



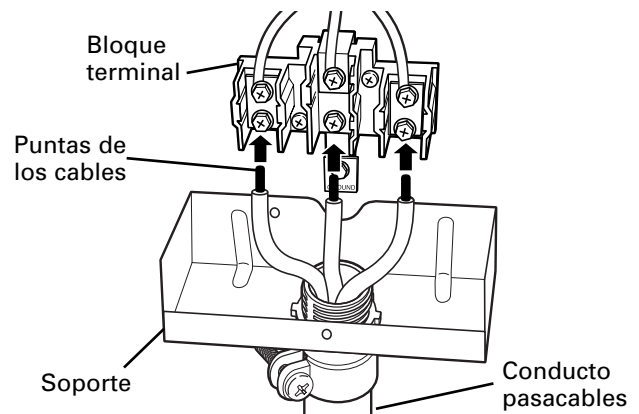
- E** Siga con el Paso 18 y continúe con la instalación.

16 INSTALACIÓN DE CONDUCTO PASACABLES PARA TRES CABLES

- A** Quite los 3 tornillos inferiores del bloque terminal. Introduzca la punta del cable central pelado (blanco/neutral) a través de la abertura del bloque terminal central inferior. En algunos modelos, el cable tendrá que introducirse a través de la abertura de la cinta de conexión a tierra y luego a través de la abertura del bloque central inferior. Introduzca las dos puntas de cable pelado dentro de las aberturas de bloque terminal izquierda inferior y derecha inferior. Ajuste los tornillos hasta que el cable quede bien firme (35 a 50 pulg.-lb.). No ajuste los tornillos de más porque podrían dañarse.

NOTA: CABLEADO DE ALUMINIO:

Puede utilizarse cable de construcción de aluminio pero debe clasificarse para el amperaje y voltaje correctos para poder realizar la conexión. Conecte los cables de acuerdo con este Paso 16 o el Paso 17 dependiendo de la cantidad de cables.



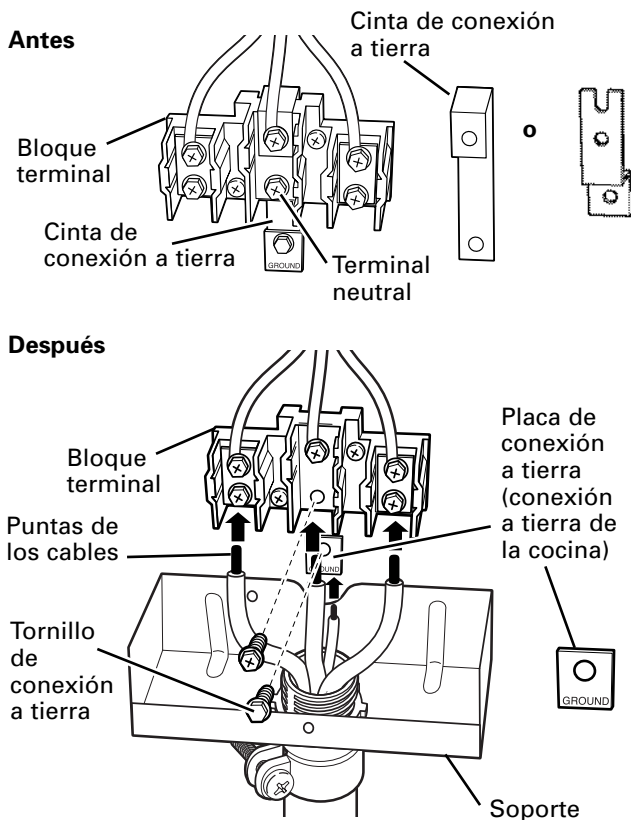
El cable utilizado, la ubicación y recinto de los empalmes, etc., deben cumplir con buenas prácticas de cableado y códigos locales.

- B** Siga con el Paso 18 y continúe con la instalación.

Instrucciones de instalación

17 INSTALACIÓN DE CONDUCTO PASACABLES PARA CUATRO CABLES

- A** Quite los 3 tornillos inferiores del bloque terminal. Quite el tornillo a tierra y la placa de conexión a tierra y consérvelos. **Corte y descarte la cinta de conexión a tierra. NO ELIMINE NINGÚN TORNILLO.**
- B** Introduzca la punta pelada del cable a tierra entre el marco de la cocina y la placa de conexión a tierra (quitada antes) y asegúrela en su lugar con el tornillo de conexión a tierra (quitado antes). Introduzca la punta pelada del cable (blanco/neutral) a través del centro inferior de la abertura del bloque terminal. Introduzca las dos puntas de cable pelado dentro de las aberturas de bloque terminal izquierda inferior y derecha inferior. Ajuste los tornillos hasta que el cable quede bien firme (35 a 50 pulg.-lb.). No ajuste los tornillos de más porque podrían dañarse.



- C** Siga con el Paso 18.

18 VUELVA A COLOCAR LA TAPA DE LOS CABLES

NOTA: Cuando vuelva a instalar la tapa de los cables, verifique que los cables no sufran pellizcos entre la tapa de los cables y la caja.

NOTA: La cinta de conexión a tierra debe estar conectada cuando se utilice un cable de 3 espigas.

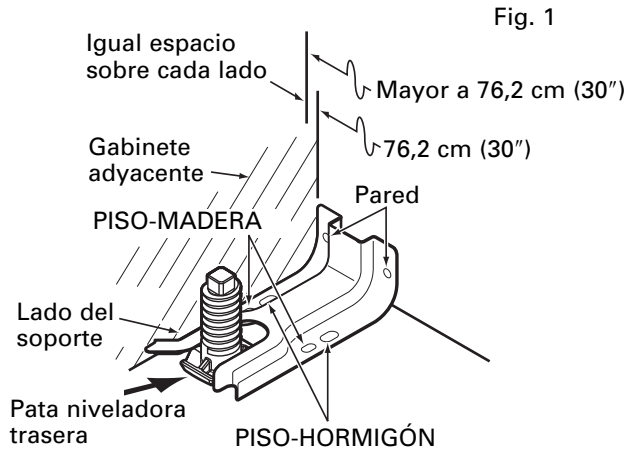
- Las terminaciones deben ser de bucle cerrado o de pernos de pala de extremos abiertos.
- En algunos modelos, puede conectarse un capacitor de filtro entre los cables negros y a tierra en el bloque de conexiones. No quite el capacitor.

INSTALE LA COCINA

19 INSTALE EL SOPORTE ANTI-VOLCADURAS

A UBIQUE EL SOPORTE

- Decida si va a instalar el soporte en el lado derecho o izquierdo de la abertura de la cocina.
- Coloque el soporte como puede verse en la Fig. 1.

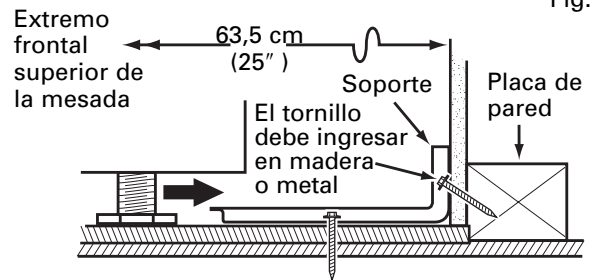


19 INSTALE EL SOPORTE ANTI-VOLCADURAS (cont.)

B INSTALE EL SOPORTE EN MADERA U HORMIGÓN

INSTALACIÓN—CONSTRUCCIONES DE MADERA

- Ubique los centros de los 4 orificios identificados en la Fig. 1 como Piso-Madera y Pared.
- Perfore un orificio piloto de 1/8" a través de las áreas pre-marcadas. Observe el ángulo del tornillo de pared en la Fig. 2.
- Monte el soporte anti-volcaduras con los 4 tornillos provistos.



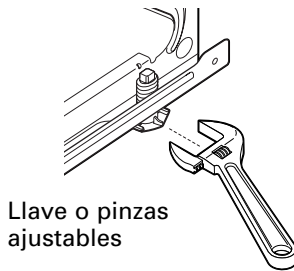
INSTALACIÓN—CONSTRUCCIONES DE HORMIGÓN

- Para una instalación de hormigón, necesitará dos tornillos de fijación de 1/4" x 1-1/2" y dos anclajes de manguito.
- Ubique el centro de los 4 orificios identificados en la Fig. 1 como Piso-Hormigón y Pared. Perfore los orificios de tamaño recomendado en cada uno.
- Instale los anclajes de manguito dentro de los orificios de hormigón pre-perforados e instale los tornillos de fijación y de pared a través del soporte anti-volcaduras. Verifique que los tornillos estén bien ajustados.

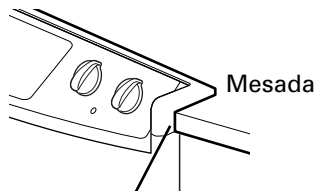
Instrucciones de instalación

20 DESLICE LA COCINA EN LA ABERTURA

- A** Coloque la cocina frente a la abertura del gabinete.
- B** Asegúrese de que los soportes que se encuentran por encima de la mesada no la obstruyan. Si resulta necesario, eleve la unidad subiendo las patas niveladoras.
- C** Empuje mientras levanta la cocina dentro de la abertura, hasta que la cocina se encuentre a 2" de enganchar el soporte anti-volcaduras.
- D** Quite el recorte protector del costado (si está provisto).
- E** Usando las pinzas ajustables o llave, con cuidado vuelva a atornillar la pata niveladora trasera hasta que la saliente se apoye sobre la mesada.



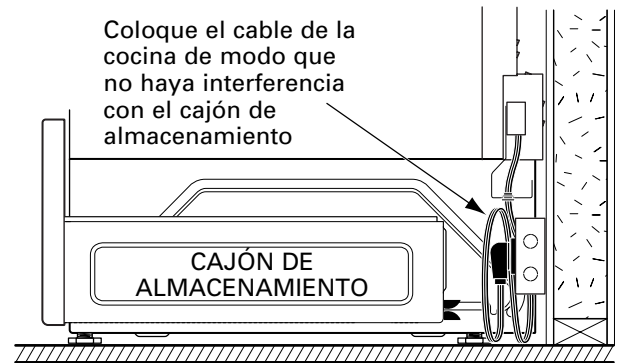
- F** Con cuidado, atornille las patas niveladoras frontales (similar al Paso E) hasta que la saliente toque la mesada.
- G** Con cuidado, empuje la cocina dentro de la abertura hasta que la mesada se enganche al panel de control por completo. La saliente superior trasera debe cubrir la abertura cortada.



Asegúrese de que el extremo de la mesada quede alineada contra el extremo del panel de control frontal

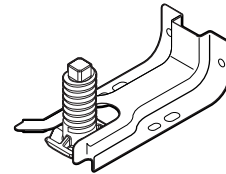
20 DESLICE LA COCINA EN LA ABERTURA (cont.)

- H** Enchufe el cable de la cocina en el tomacorriente. Ubique el cable en la parte trasera de la cocina de manera que no toque el cajón o sea desplazado por el mismo.



21 VERIFICACIÓN FINAL DEL SOPORTE ANTI-VOLCADURAS

Cuando haya finalizado la instalación y la cocina esté en su lugar, verifique que la pata trasera niveladora esté completamente introducida en la ranura del soporte anti-volcaduras.



Instrucciones de instalación

INSTALE LA COCINA (CONT.)

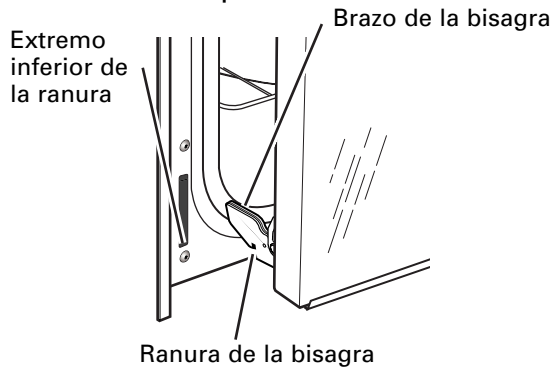
22 VUELVA A COLOCAR LA PUERTA DEL HORNO

NOTA: La puerta del horno es pesada. Puede necesitar ayuda para levantar la puerta lo suficiente como para deslizarla dentro de las ranuras de la bisagra. No levante la puerta de la manija.

- A** Levante la puerta del horno colocando una mano en cada lado. La puerta es pesada, así que puede necesitar ayuda. No levante la puerta de la manija.

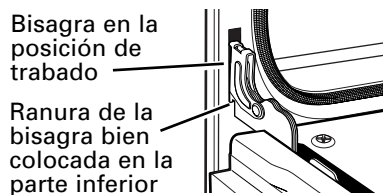


- B** Con la puerta en el mismo ángulo de la posición de remoción (a mitad de camino entre la posición de cerrado y de asado), introduzca la muesca del brazo de la bisagra dentro del extremo inferior de la ranura de la bisagra. La ranura del brazo de la bisagra debe estar bien colocado en la parte inferior de la ranura.



- C** Abra la puerta del horno en su totalidad.

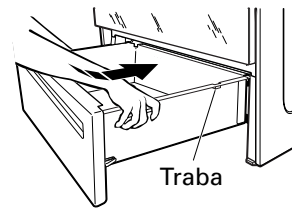
- D** Presione las trabas de la bisagra hacia arriba contra el marco frontal de la cavidad del horno, hasta alcanzar la posición de trabado.



- E** Cierre la puerta del horno.

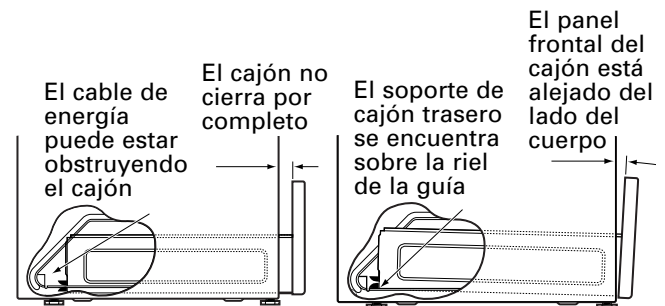
23 VUELVA A COLOCAR EL CAJÓN DE ALMACENAMIENTO

- A** Coloque los rieles del cajón en las guías.
B Empuje el cajón hasta que se detenga.
C Levante el frente del cajón y empuje hasta que las trabas superen las guías.
D Baje el frente del cajón y empuje hacia abajo hasta que cierre.



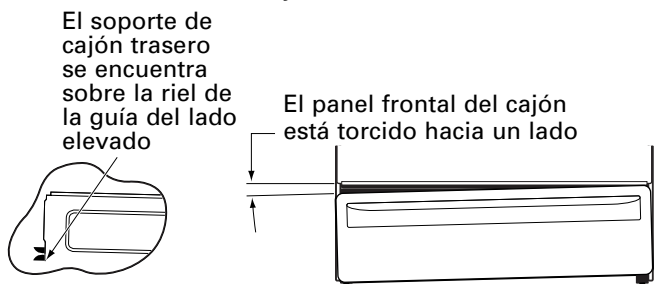
INSTRUCCIONES ESPECIALES SI TIENE PROBLEMAS AL VOLVER A COLOCAR EL CAJÓN DE ALMACENAMIENTO

Si el cajón no cierra:



Quítelo y vuelva a colocar, constatando que el cable de energía no obstruya el cajón y/o el riel esté en la guía.

Si el cajón está torcido:



Quite y vuelva a colocar, asegurando que el riel se encuentre en la guía.

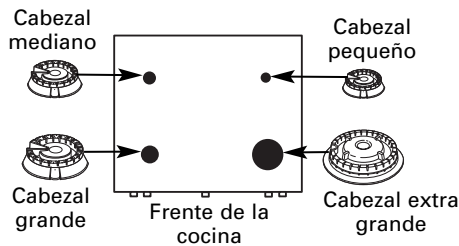
Instrucciones de instalación

24 QUEMADORES DEL ANAFE

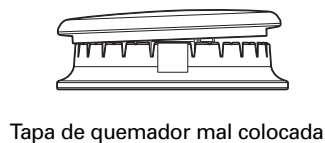
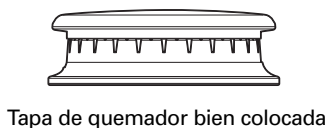
A COLOQUE LOS QUEMADORES

⚠ PRECAUCIÓN: El electrodo del chispero está expuesto. Tenga cuidado de no presionar los controles del anafe cuando se haya quitado la parte superior del quemador. No quite la parte superior o presione el electrodo de ningún quemador mientras otro quemador se encuentre en funcionamiento. Puede sufrir una descarga eléctrica.

- a. Coloque el cabezal del quemador sobre la base del quemador, constatando que el cabezal esté bien orientado sobre la base del quemador y el electrodo. Asegúrese de colocar el cabezal del quemador correcto sobre la base del quemador correcto y que el cabezal del quemador esté nivelado sobre la base. Los cabezales de los quemadores no son intercambiables.

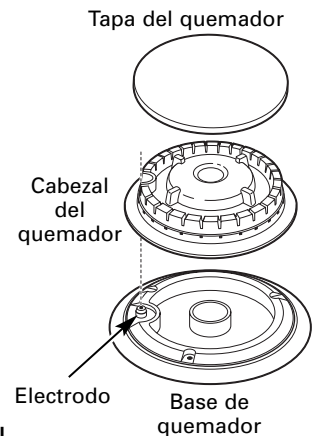


- b. Coloque las tapas de los quemadores sobre los cabezales que los quemadores, verificando que la tapa del quemador esté sobre el cabezal correspondiente. Las tapas de los quemadores no son intercambiables. Verifique que las tapas de los quemadores estén bien colocadas sobre los cabezales de los quemadores.



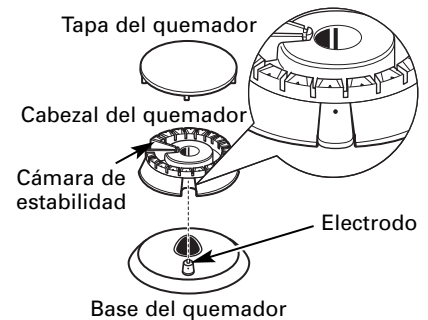
c. Quemador frontal derecho

Asegúrese de que el orificio del cabezal del quemador se encuentre sobre el electrodo y que el cabezal del quemador esté completamente introducido dentro de la base del quemador. Un pequeño espacio entre la base y el cabezal resulta normal.

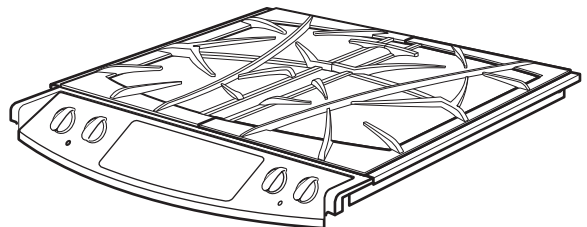


Quemadores frontal izquierdo, trasero derecho y trasero izquierdo

Verifique que la ranura ubicada en el cabezal del quemador esté colocada sobre el electrodo. La tapa del quemador tiene de tres a cuatro pernos. Cuando coloque la tapa, verifique que no haya quedado ningún perno en la cámara de estabilidad.



- d. Coloque las rejillas de los quemadores sobre los quemadores.



Instrucciones de instalación

INSTALE LA COCINA (CONT.)

B VERIFIQUE LA PRESENCIA DE PÉRDIDAS

Encienda el suministro de gas y utilice un detector líquido de pérdidas (solución jabonosa) en todas las juntas y conexiones para verificar la presencia de pérdidas. **No utilice una llama abierta para verificar pérdidas de gas.** Asegúrese de controlar todas las pérdidas antes de encender los quemadores.

C INFORMACIÓN SOBRE PRUEBA DE PRESIÓN

La máxima presión de suministro permitida para el regulador es 14" CA. La presión de suministro mínima necesitada para verificar la configuración del regulador es 7" CA. para gas natural y 10" CA. para gas LP.

⚠ ADVERTENCIA: La cocina y su válvula de apagado individual deben desconectarse desde el sistema de tubería de suministro de gas durante cualquier prueba de presión del sistema de suministro de gas en presiones de prueba mayores a 1/2 psig (libras por pulgada cuadrada de presión de manómetro). La cocina debe aislarse del sistema de tuberías de suministro de gas cerrando la válvula individual de apagado durante cualquier puesta a prueba del sistema en presiones de prueba iguales o mayores a 1/2 psig. **NOTA:** 1/2 psig = 13.855" ca.

D VERIFIQUE LOS CHISPEROS

El funcionamiento de los chisperos eléctricos debe verificarse después de que se haya comprobado la falta de pérdidas en el anafe y la línea de suministro, y que la energía eléctrica haya sido conectada.

- Encienda el gas.
- Presione y gire una válvula de quemador a la posición LITE (encender).
 - La válvula del quemador debe encenderse cuando hay libre suministro de gas hacia el quemador.
 - Una vez que el quemador se enciende, éste debe apagarse en la posición LITE.
- Pruebe todas las válvulas por separado hasta que todos los quemadores se hayan puesto a prueba.

E ENCENDIDO DE LOS QUEMADORES

Encendido del anafe con chispero – Cuando se gira la perilla del anafe a LITE, el chispero hace una serie de chispas eléctricas (sonidos de chispero) que encienden el quemador. Durante un corte de electricidad los quemadores no podrán encenderse automáticamente. En una emergencia, un quemador de anafe puede encenderse con un fósforo siguiendo estos pasos.

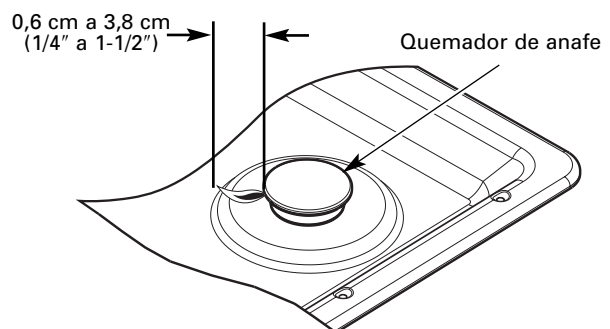
⚠ ADVERTENCIA: Encender quemadores a gas con un fósforo resulta peligroso. Los quemadores del anafe deben encenderse con un fósforo sólo durante una emergencia.

- Prenda un fósforo y sostenga la llama cerca del quemador que desea encender. Los fósforos de madera funcionan mejor.
- Presione y gire la perilla de control lentamente. Asegúrese de girar la perilla correcta para el quemador que esté encendiendo.

NOTA: Si el quemador no se enciende dentro de los cinco segundos, gire la perilla a la posición apagado y espere 5 minutos antes de intentar de nuevo.

F LLAMAS DE LOS QUEMADORES

Encienda todos los quemadores. Las llamas deben ser azules sin rastros de amarillo. Las llamas de los quemadores no deben agitarse o volarse del quemador. La llama no debe ser menor de 0,6 cm (1/4") en la configuración más baja y no debe ser mayor a 3,8 cm (1-1/2") en la configuración mayor.



Los quemadores deben controlarse frecuentemente

⚠ ADVERTENCIA: Si intenta medir la llama, por favor tenga cuidado. Pueden producirse quemaduras.

Instrucciones de instalación

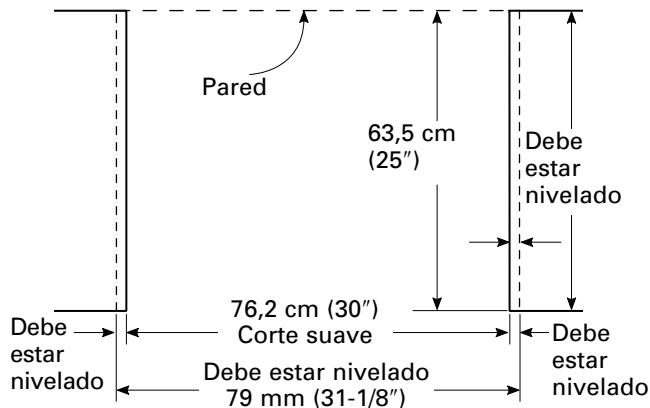
25 PREPARACIÓN DE CONSTRUCCIÓN ALTERNATIVA

A RELLENO DE SUPERFICIE O EQUIPO DE PROTECCIÓN TRASERA OPCIONALES

Si la abertura de la mesada se extiende hasta la pared, ésta requerirá un equipo de relleno de superficie (incluida con la cocina) o un equipo de protección trasera (JXS32XX o JXS37XX) para cerrar el espacio.

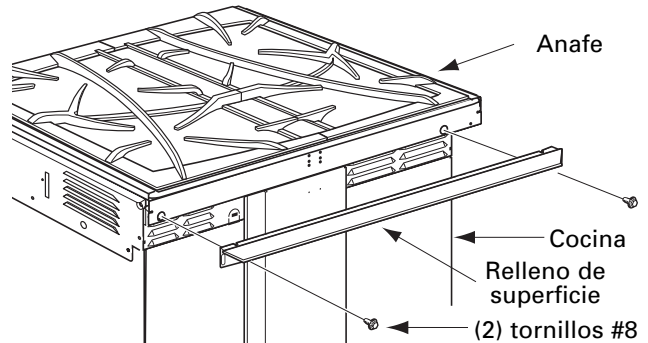
NOTA: Si la mesada es mayor a 63,5 cm (25"), habrá un espacio entre la protección trasera y la pared o entre el equipo de relleno y la pared. Si la mesada es menor a 63,5 cm (25"), habrá un espacio entre el frente de la mesada y los extremos del panel de control (ver Paso 8).

Si está usando el equipo de protección trasera opcional, vea las instrucciones del equipo de protección trasera para los detalles de instalación.



Si está usando un equipo de relleno, coloque la pieza de relleno de metal incluida con la cocina en la parte trasera de la misma como puede verse en la figura. Introduzca los 2 tornillos dentro de los orificios superiores en la parte trasera externa y a través de las ranuras del recorte, sosteniendo la pieza de relleno centrada sobre el marco de la mesada y empujando hacia arriba para cerrar el espacio entre la parte inferior de la mesada y el recorte de relleno.

Cuando el relleno se encuentre en la posición adecuada, ajuste los 2 tornillos de montaje. La parte superior del relleno debe colocarse debajo de la superficie superior de la mesada para evitar que las ollas, cacerolas y sartenes dañen las piezas pintadas. Vea la Instalación estándar de la cocina en la página 46.



B PARA INSTALACIÓN NO INCORPORADA (UBICACIÓN AL FINAL DEL GABINETE)

Cuando instale la cocina al final de una sección de gabinetes que dejará ver el lado sin terminar de la cocina, utilice el equipo de lado del cuerpo (JXS77XX). Vea las instrucciones del equipo para detalles de instalación.

Instrucciones de instalación

INSTALE LA COCINA (CONT.)

25 PREPARACIÓN DE CONSTRUCCIÓN ALTERNATIVA (cont.)

C INSTALACIÓN EN ISLA

Conecte el soporte anti-volcaduras según las instrucciones del Paso 19, verificando que la parte trasera del soporte esté a 63,5 cm (25") del frente de la mesada.

Tenga en cuenta que los tornillos incluidos son largos y pueden penetrar la parte trasera de los gabinetes de la isla. En este caso, utilice tornillos más cortos (no incluidos) o los tornillos incluidos debe usarse en el piso (ver Paso 19B para Instalación de piso de madera/hormigón).

No utilice el equipo de protección trasera JXS32XX o JXS37XX.

D GABINETES SOBRE LA COCINA DE MENOS DE 76,2 cm (30")

Si no se puede mantener un espacio de 76,2 cm (30") entre la superficie de cocción y el material combustible superior o gabinetes de metal, proteja la parte inferior de los gabinetes ubicados sobre el anafe con cartón aislante no menor a 6 mm (1/4"), cubierto con planchas metálicas con un grosor no menor a 0,3 mm (0.0122").

26 LISTA DE CONTROL DE FUNCIONAMIENTO

- Constate dos veces todos los puntos de esta guía se hayan completado. Volver a chequear los pasos garantizará un uso seguro del anafe.
- Verifique que todos los controles queden en la posición OFF (apagado).
- Asegúrese de que la corriente de aire de combustión y de ventilación hacia el anafe no esté obstruido.
- La placa de serie de su cocina esta ubicada bajo la puerta del horno sobre al área de almacenamiento. Además del modelo y los números de serie, le indica las clasificaciones de los quemadores y el tipo de combustible y presión del anafe configurados cuando salió de fábrica.
- Cuando solicite piezas, siempre incluya el número de serie y el número de modelo para garantizar adecuadas piezas de reemplazo.
- **Vuelva a chequear los pasos: Constate dos veces que todos los puntos de esta guía se hayan completado. Volver a chequear los pasos garantizará un uso seguro de la cocina.**

Tenga a bien ver las instrucciones de conversión a PL incluidas con esta cocina cuando se utilice gas PL.

NOTA: Las instrucciones está montadas en el soporte del regulador.

